



coffeeing the World

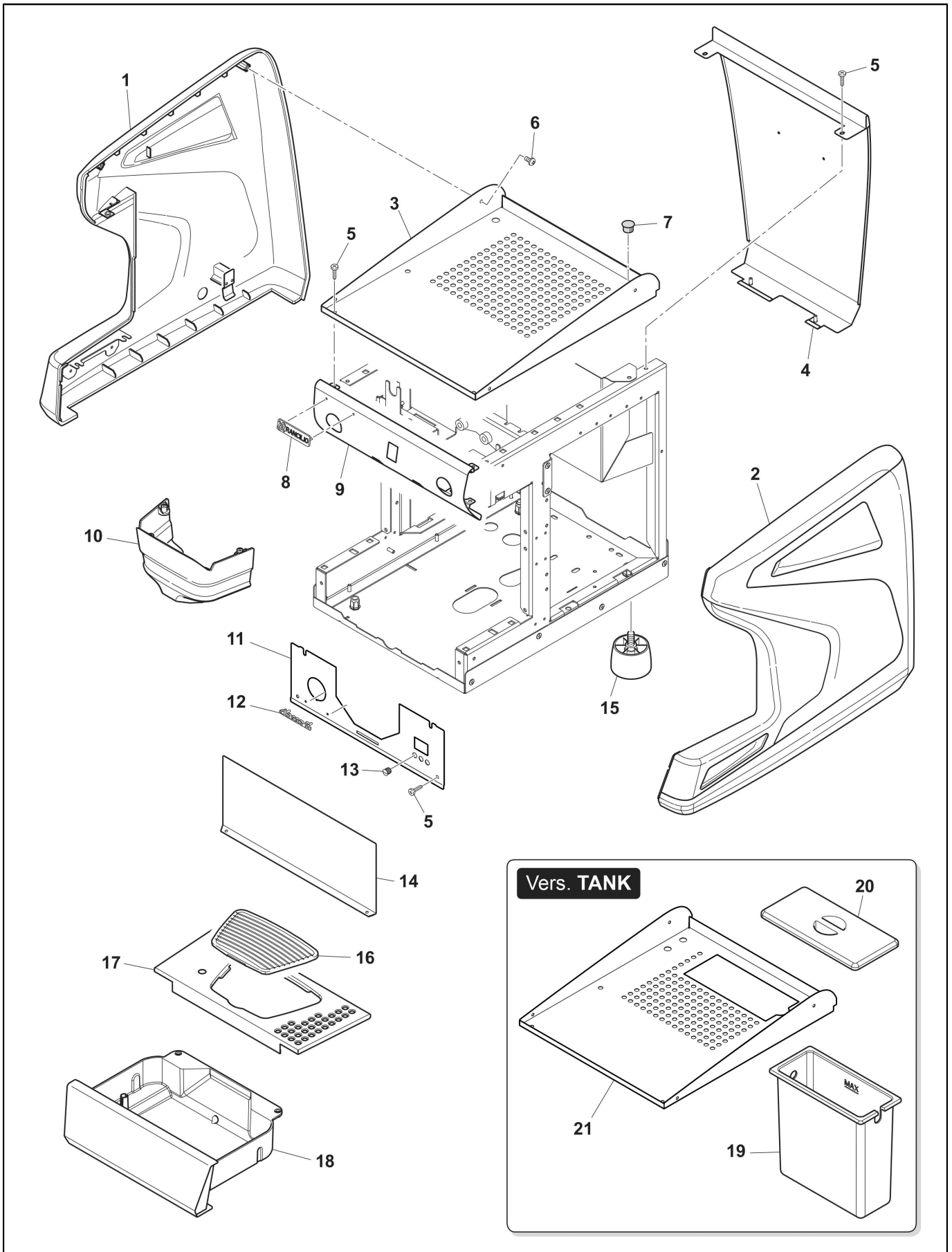
CLASSE 5 S 1GR



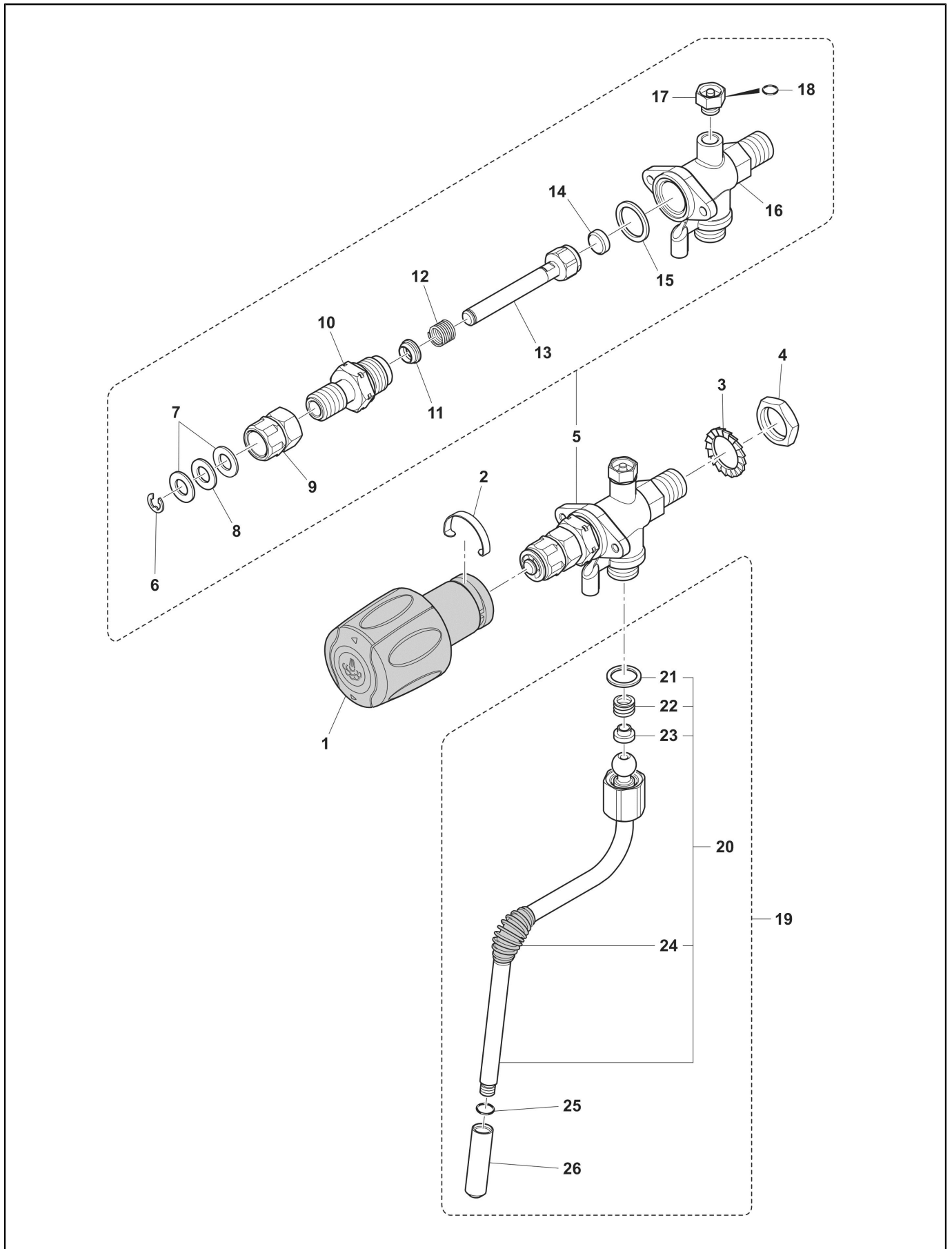
CLASSE 5

Index

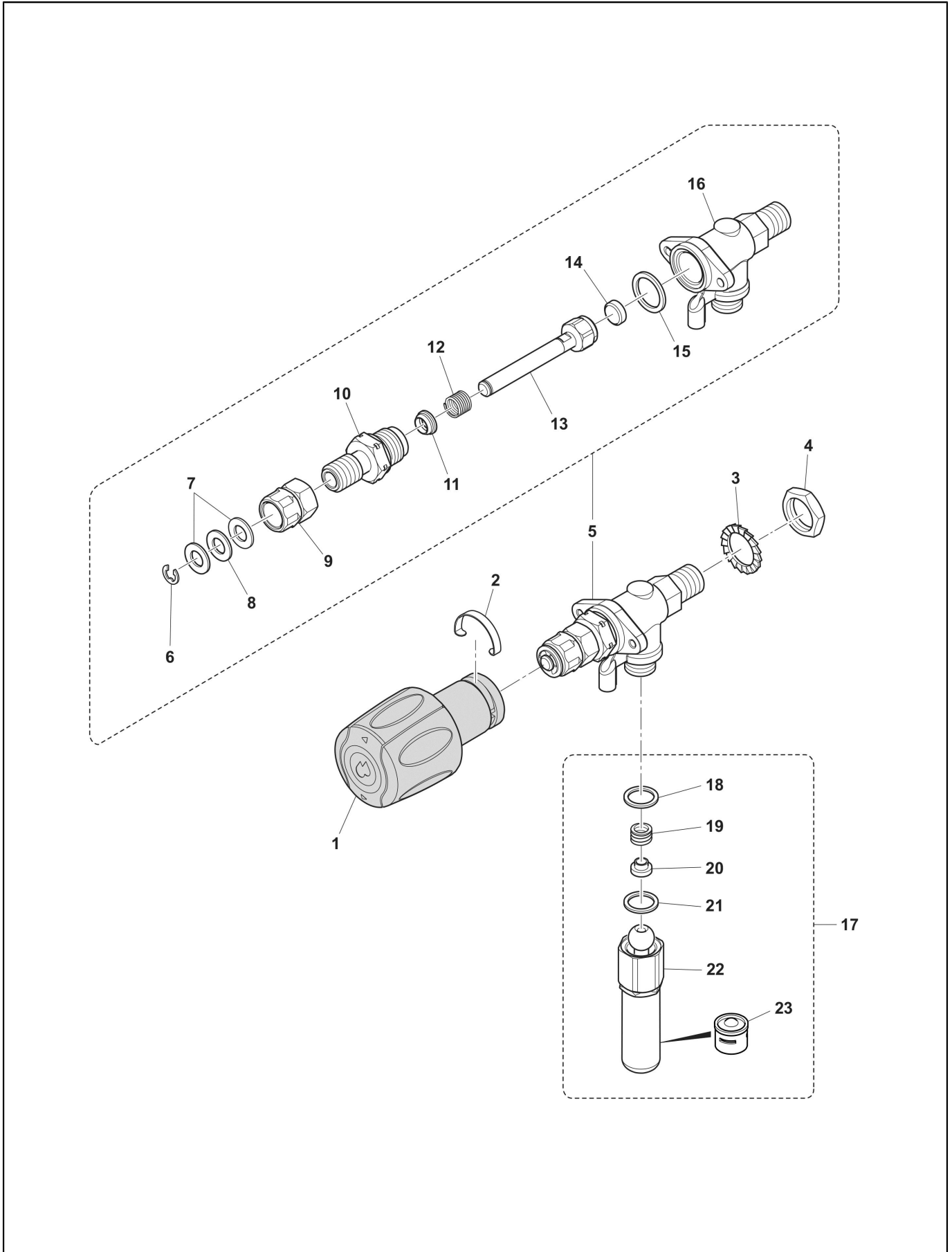
Table 1000_5 - Carrozzeria 1gr S/ST.....	4
Table 2007 - STEAM TAP.....	6
Table 2008 - WATER TAP.....	8
Table 2004_1 - GRUPPO EROGAZIONE 1gr.....	10
Table 2003_2 - CALDAIA 1gr.....	12
Table 2001_2 - IMPIANTO IDRAULICO 1GR S.....	14
Table 3001_2 - PARTI ELETTRICHE/ELETTRONICHE 1GR S/S-TANK.....	16
Table 4000 - Clever Steam Tap	18
Alphanumeric index.....	20



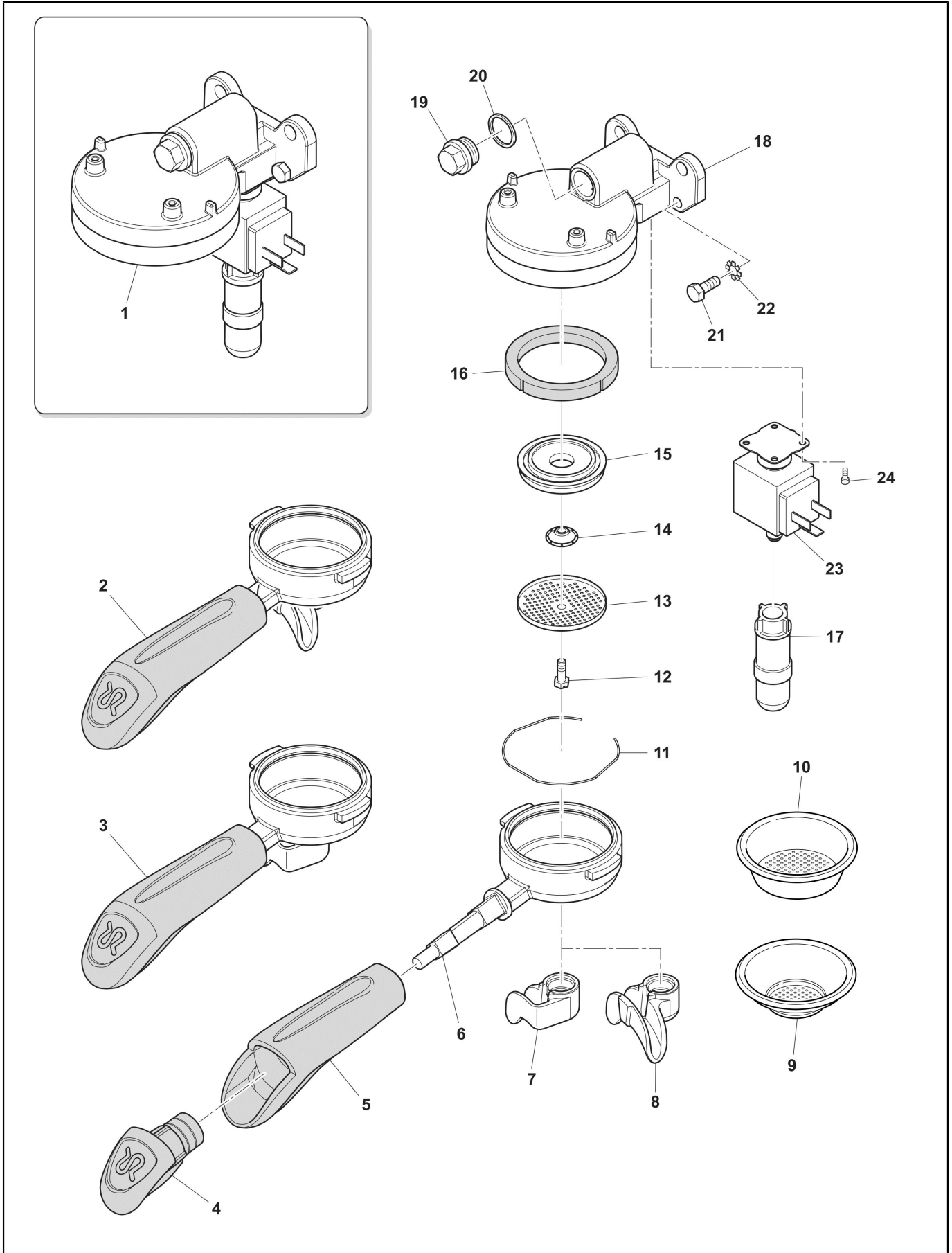
POS.	CODE	DESCRIPTION	NOTES
1	10701188	SIDE PANEL LEFT BLACK CLASSE 5-7/16	
	10701260	SIDE PANEL LEFT WHITE CLASSE 5-7/16	
2	10701187	SIDE PANEL RIGHT BLACK CLASSE 5-7/16	
	10701259	SIDE PANEL RIGHT WHITE CLASSE 5-7/16	
3	32332043	TETTOIA C5 E-S 1GR.VERT.	
4	32332048	POSTERIORE C5 1GR.VERT.	
	42200122	RANCILIO PLATE MM115	
5			
6			
7			
8	42200121	RANCILIO PLATE MM 70	
9	32332040	PANNELLO COMANDI C5 S 1GR.VERT.	
10	38120300	GROUP COVER CLASSE 5 COMP-1GR	
11	32332041	MASCHERINA SUP.C5 1GR.VERT.	
12	42200140	CLASSE 5 PLATE	
13	38120328	VETRINO ARANCIO C5 1GRV.-PL-	
	38120329	VETRINO VERDE C5 1GRV.-PL-	
14	32332042	MASCHERINA INF.C5 1GR.VERT.	
15	38123568	COFFEE MACHINE LEG	
	38123852	RISER FOR COFFEE MACHINE LEG	
16	38123666	CUP TRAY MC/07	
17	32332047	GRIGLIA POSAT.C5 1GR.VERT.	
18	10701002	ASSIEME BAC.SCARICO 1GRV.USB-S	
	10701004	ASSIEME BAC.SCARICO 1GRV.ST	
	38120326	GALLEGGIANTE LIVELLO C5 1GRV.	
19	38120335	TANICA ACQUA LT2 UL -PL-CON FORO TRACIMAZ.	
20	38123011	COVER	
21	32332044	TETTOIA C5 ST 1GR.VERT.	



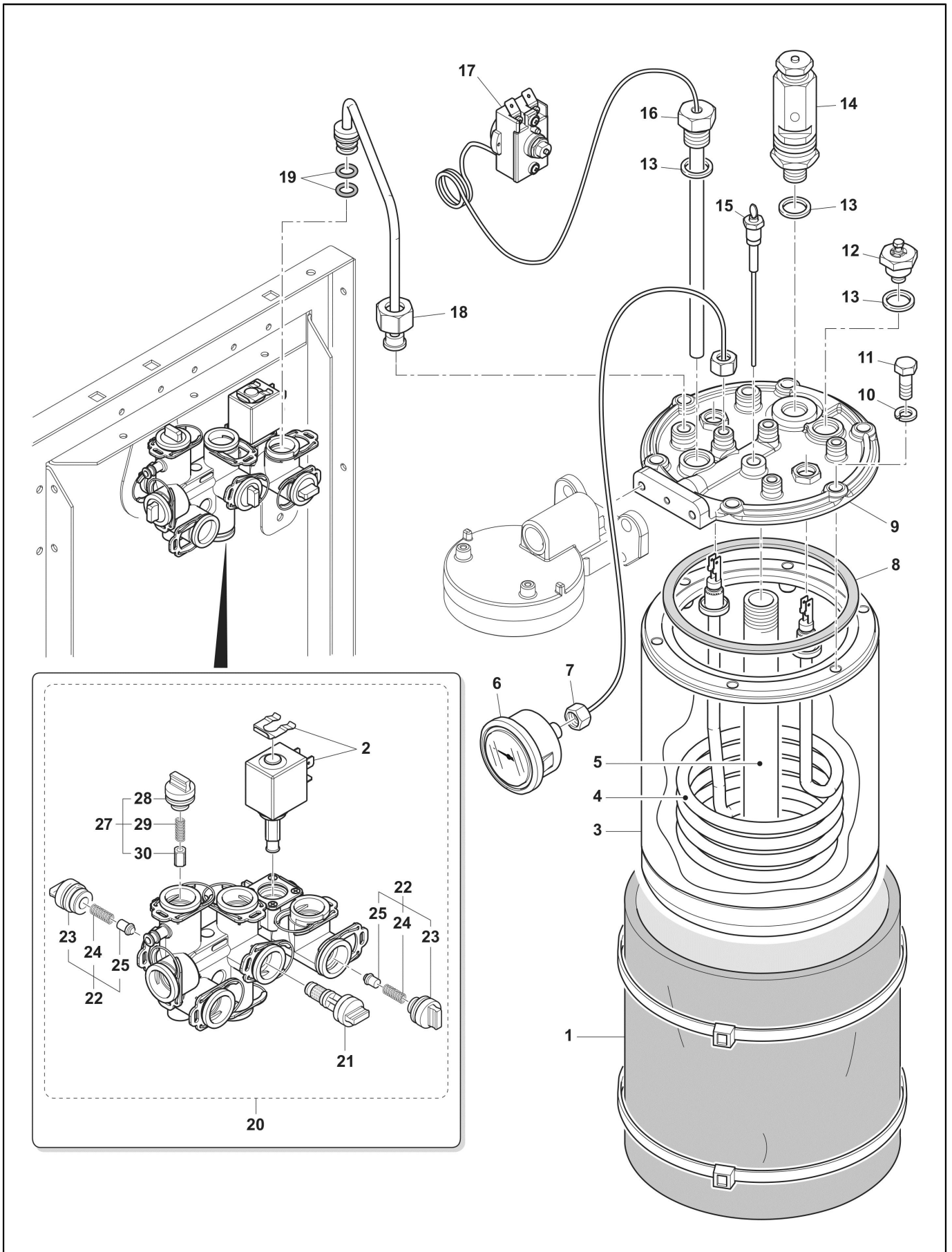
POS.	CODE	DESCRIPTION	NOTES
1	10060189	STEAM HANDLE/16	
2	32210001	STEAM HANDLE SPRING	
3	37431600	OUTER TOOTHED WASHER D16	
4	26220005	FLAT NUT 3/8	
5	10060141	STEAM TAP+A.V. VALVE CLASSE 5/7	
6	37510700	ELASTIC RING D.7	
7	32239044	NEW STEAM COCK WASHER	
8	36230001	TEFLON WASHER	
9	23220029	REG BUSH FOR NEW COCK	
10	23000302	STEM GUIDE PTFE	
11	36990078	SHAFT GASKET FAST TAP	
12	39110035	WATER-STEAM COCK SPRING	
13	10060002	ROD+NUT AND STEAM COCK GASKET	
14	36301105	GASKET FOR NUT STEAM TAP EPDM	
15	27400001	GASKET COPPER COMPASS RE GROUP	
16	10060022	STEAM TAP BODY WITH COMPASS	
17	10705180	KIT AV VALVE STEAM TAP	
18	36404058	ORING 3,68 X 1,78 EPDM 70SH TEFLON	
19	10701387	STEAM WAND+TIP+JUNCTION	
20	10049123	STEAM WAND MC/15	
21	36301105	GASKET FOR NUT STEAM TAP EPDM	
22	39110038	SPRING	
23	36930016	GASKET	
24	36990004	RUBBER FOR STEAM PIPES	
25	36404022	O-RING 6,4 X 1,9 R5A	
26	23212033	NEW SPAYER LG 25	
27	36930017	TEFLON GASKET FOR STEAM WAND NUT	



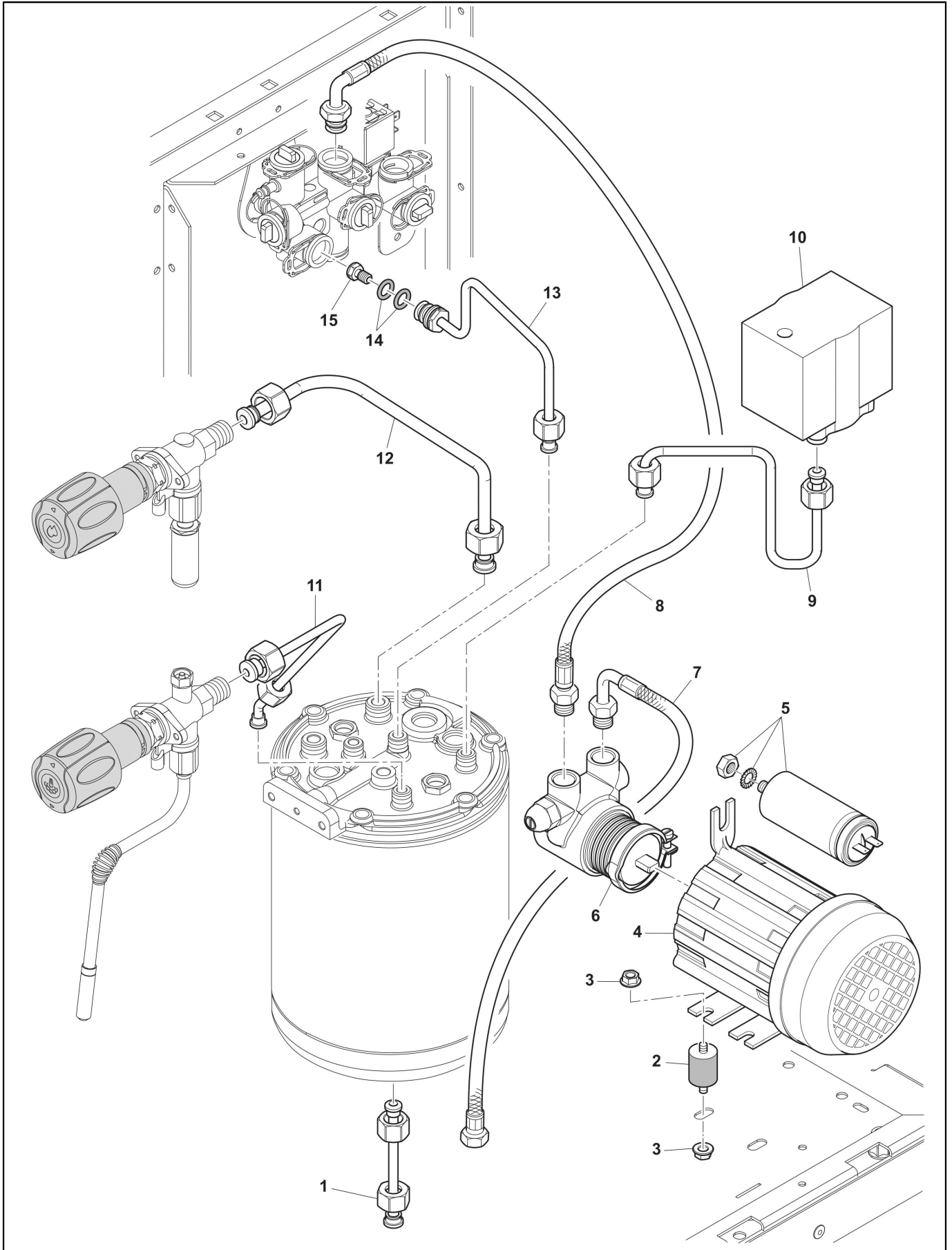
POS.	CODE	DESCRIPTION	NOTES
1	10060188	HOT WATER TAP HANDLE/16	
2	32210001	STEAM HANDLE SPRING	
3	37431600	OUTER TOOTHED WASHER D16	
4	26220005	FLAT NUT 3/8	
5	10060142	WATER TAP CLASSE 5	
6	37510700	ELASTIC RING D.7	
7	32239044	NEW STEAM COCK WASHER	
8	36230001	TEFLON WASHER	
9	23220029	REG BUSH FOR NEW COCK	
10	23000302	STEM GUIDE PTFE	
11	36990078	SHAFT GASKET FAST TAP	
12	39110035	WATER-STEAM COCK SPRING	
13	10060002	ROD+NUT AND STEAM COCK GASKET	
14	36301105	GASKET FOR NUT STEAM TAP EPDM	
15	27400001	GASKET COPPER COMPASS RE GROUP	
16	10060023	STEAM TAP BODY WITH COMPASS+A.V. VALVE	
17	10706027	FLEXIBLE HOT WATER PIPE	
18	36301105	GASKET FOR NUT STEAM TAP EPDM	
19	39110038	SPRING	
20	36930016	GASKET	
21	36930017	TEFLON GASKET FOR STEAM WAND NUT	
22	10049014	NOEPerl MIXING NOZZLE G 3/8	ETL version
	10705079	JETBREAKER+SPRAYER	
23	25135020	WATER SPRAYER FILTER C7	



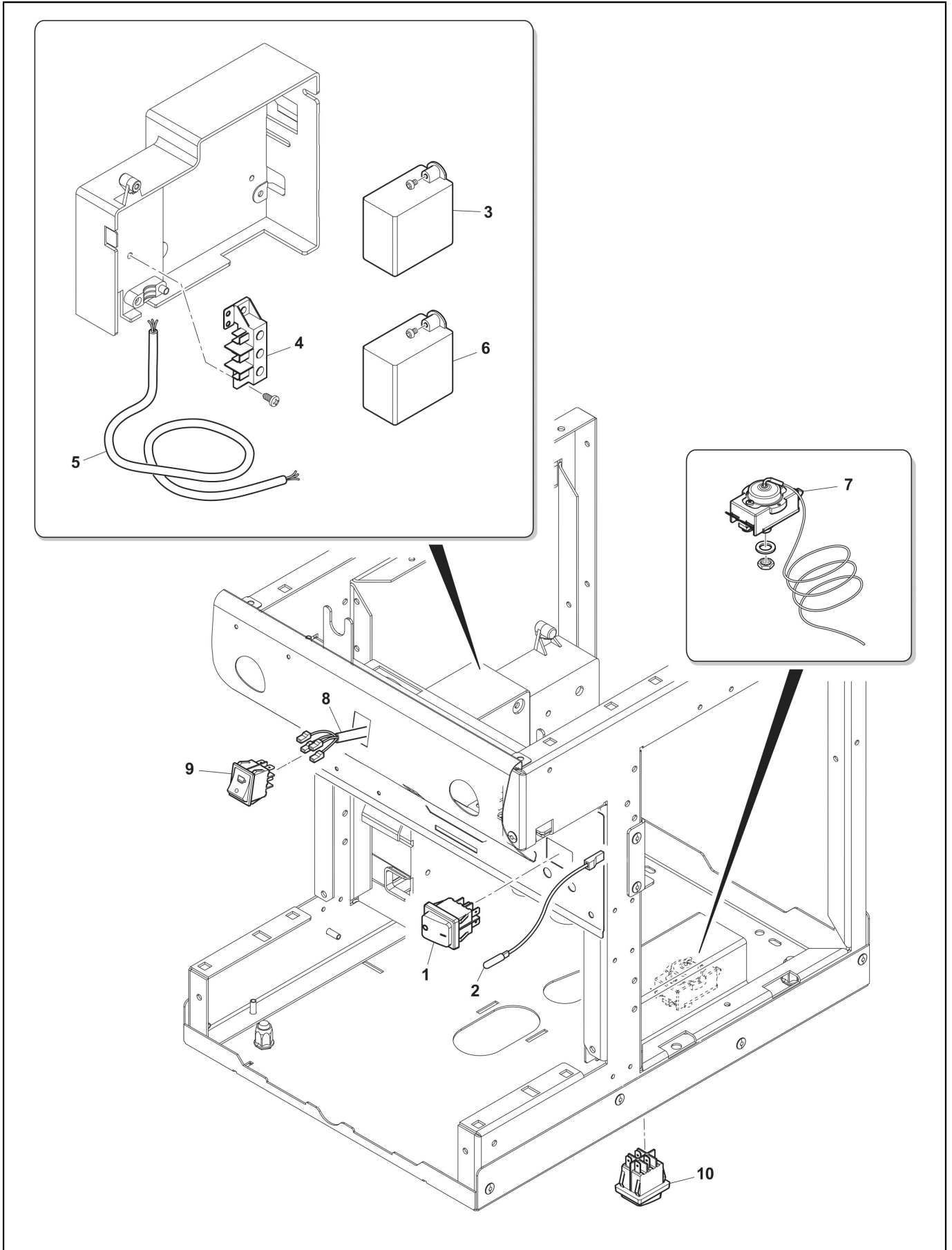
POS.	CODE	DESCRIPTION	NOTES
1	10051182	GRUPPO EPOCA 1/CLUB 230V	
2	10071100	FILTERHOLDER NO BECK	
	10071137R	PORTAF.MC/09 2DOSI CONFEZIONATO	
3	10071118R	PORTAF.MC/09 1DOSE CONFEZIONATO	
4	10705535	FILTERHOLDER CAP WITH RING	
5	10705091	KIT FILTER HOLDER TAP 07	
6	20112211	FILTER HOLDER BODY MC/09	
7	21102601	1 CUP BEAK MC/09	
8	21100801	2 CUP BEAK MC/09	
9	40100001	1 CUP FILTER LOW	
10	40100010	2 CUP FILTER	
11	25105005	FIX.FILTER SPRING	
12	37030518	SHOWER SCREW	
13	40200005	SHOWER NET	
14	25139001	GROUP JETBREAKER	
15	20200182	SHOWER HOLDER BRASS	
16	36301046	GROUP GASKET PEROSSIDICA HP	
17	10090002	THERM.GROUP JETBREAKER	
18	20200042	GROUP EPOCA 1GR	
	36402001	O-RING 6,07 X 1,78 EPDM 105	
19	20122653	BREWING GROUP CAP	
20	27400002	BREWING CHAMBER TAP GASKET	
21	37040617	SCREW M6 X 16	
	37040835	SCREW M8X35 TE	
22	37430600	TOOTH LOCK WASHER D. 6	
23	34040149	ELECTROVALVE 3/2 WAY UL 208-240 SIRAI	
	34040150	ELECTROVALVE 3/2 WAYS 110-120V UL SIRAI	
24	37060413	SCREW M 4 X 12	



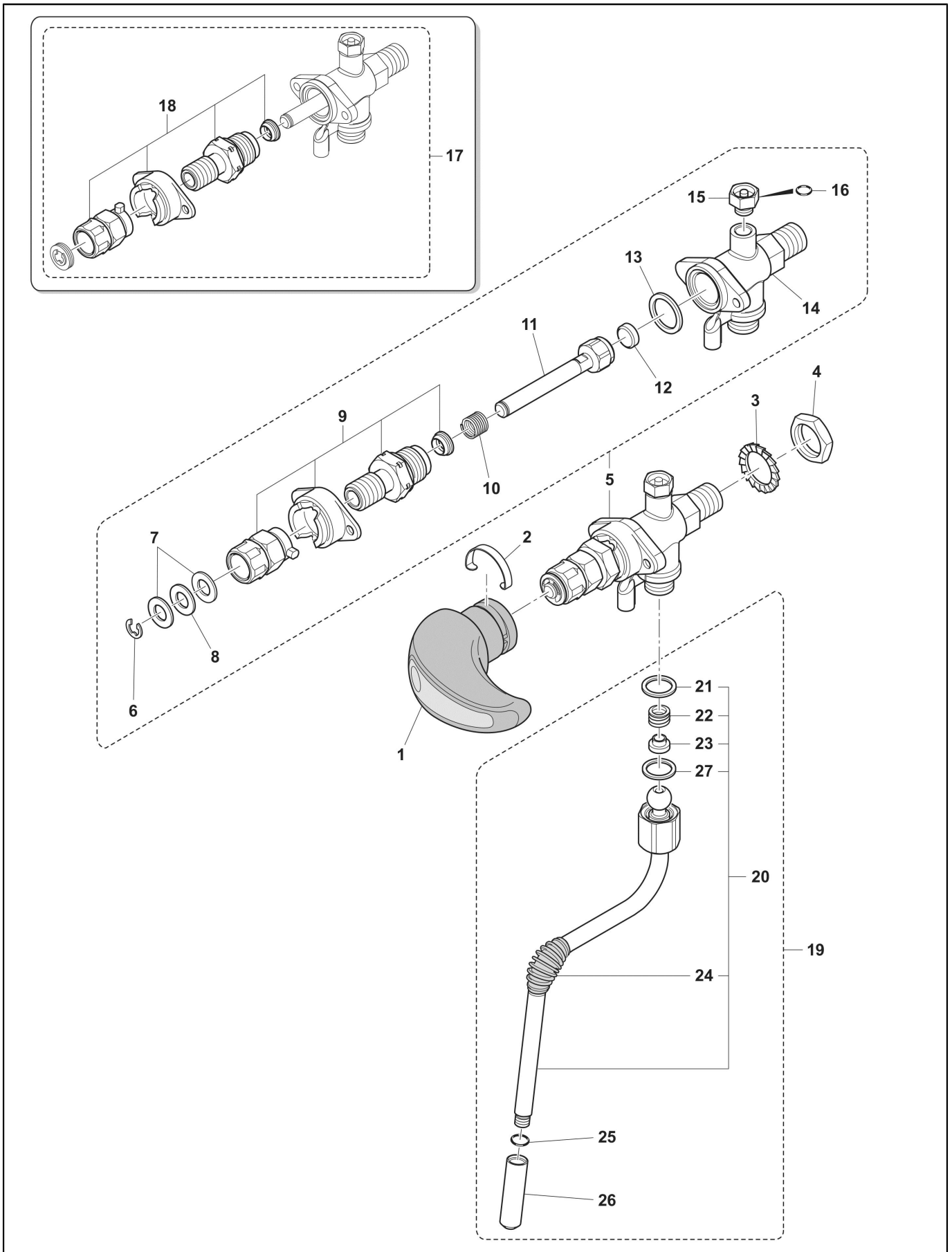
POS.	CODE	DESCRIPTION	NOTES
1	69000428	COIBENTE CALDAIA VERTICALE VELCRO	
2	69140014	OPERATOR KIT 220-240V HYDRAULIC MODULE	
	69140015	OPERATOR KIT 110-120V HYDRAULIC MODULE	
3	10025015N	BOILER USA ETL	
	10025015S	CORPO CALDAIA S24/6/7 SALDATO	
4	33111013	HEATING ELEMENT W.1200 V.110	
	33111015	HEATING ELEMENT 120V 1600W	
	33122017	HEATING ELEMENTW.1700 V.230	
5	10030033	HEATING EXCHANGER EPOCA 1GR/14	
6	35002512	GAUGE BOILER MC/15	
7	10041038	PIPE 4X3X400 F1/4-F1/8 1GR.	
8	36220018	GASKET FOR BOILER	
9	10029306	SCAMBIAT.+ COPERCHIO S24/6/7	
10			
11	37040821	SCREW M 8X22	
12	10060061	EVO ANTIVACUUM SOLENOID	
13	27350003	GASKET 3/8 X 2 COPPER	
14	10060525	SAFETY VALVE	
15	34200088	LEVEL PROBE ASSEMBLY	
16	10042129	VERTICAL BOILER THERMOSTAT SLEEVE	
17	34200354	HIGH LIMIT THERMOSTAT 165/15 110V UL	
	34200355	HIGH LIMIT THERMOSTAT 165/15 220V	
18	10042144	ECO TUBO MOD.IDR.C5 1GR.VERT.BOILER 6X4	
19	36404052	O-RING 9,16 X 2,62 F 3037	
20	10700300	KIT STARTER HYDRO HUB 220-240V	
	10700300	KIT STARTER HYDRO HUB 220-240V	
	10701245	HYDRO HUB 120V 60HZ	
	10701246	HYDRO HUB 230V	
21	69140006	FILTER HYDRAULIC MODULE	
22	69140007	CHECK VALVE HYDRAULIC MODULE	
23	69140017	CHECK VALVE PISTON	
24	69140018	CHECK VALVE SPRING	
25	69140016	CHECK VALVE CAP	
27	69140009	PRESSURE RELIEF VALVE HYDRAULIC MODULE	
28	69140019	PRESSURE RELIEF VALVE CAP	
29	69140010	SPRING PRESSURE RELIEF VALVE HYDRAULIC MODULE	
30	69140011	PLUNGER PRESSURE RELIEF VALVE HYDRAULIC MODULE	



POS.	CODE	DESCRIPTION	NOTES
2	36322003	ANTI-VIBRATING DEVICE	
3	80134961	NUT M6	
4	34011009	MOTOR 110 V CE / UL	
	34011102	VM MOTOR 230V	
5	34020020	CONDENSER 8 MF RPM	
6	10705960	KIT PUMPING ELEMENT	
7	69000734	FLEX PIPE MM1800 WITH ELBOW+CHECK VALVE	
8	69000836	TUBO FLEX 3/8M-SN MM.350 CON CURVA	
9	10042149	ECO TUBO PRESSOSTATO C5 1GRV.	
10	34200109	MECH. PRESSURE SWITCH P/303	
11	10042145	TUBO BOILER/RUB.VAPORE 6X4 1GR.VERT-CU-	
12	10043078	ECO TUBO USCITA ACQUA CALDAIA C5 1GR.VERT.	
13	10042148	ECO TUBO MOD.IDR-SCAMB.C5 1GR.VERT.	
14	36404052	O-RING 9,16 X 2,62 F 3037	
15	23000282	GIGLEUR MODULO IDR.VERT -AI-	



POS.	CODE	DESCRIPTION	NOTES
1	34030146	INTERR.NERO 0/1 CON SOFFIETTO	
2	34030147	SEGN.LUMIN.ARANCIO 220V C5 1GRV.	
	34030148	SEGN.LUMIN.VERDE 220V C5 1GRV.	
	34030149	SEGN.LUMIN.ARANCIO 110V C5 1GRV.	
	34030150	SEGN.LUMIN.VERDE 110V C5 1GRV.	
3	34070029	TRANSDUCTOR RALS 220/240V	
4	34150023	CLAMP 3 POL.	
5			
6	34200200	RELAY 120V UHP-11A5A1-120	Only for 1 gr. version ST 110v Solo per versione 1 gr. ST 110V
7	34200354	HIGH LIMIT THERMOSTAT 165/15 110V UL	
	34200355	HIGH LIMIT THERMOSTAT 165/15 220V	
8	10110967	CABLAGGIO 1GRV.C5 ST 110V	
	10110969	CABLAGGIO 1GRV. C5 S	
	10110970	CABLAGGIO 1GRV. C5 ST 230V	
9	34030134	COFFEE SWITCH MOD M	
10	34030146	INTERR.NERO 0/1 CON SOFFIETTO	



POS.	CODE	DESCRIPTION	NOTES
1	10060181	HANDLE CLEVER	
2	32210001	STEAM HANDLE SPRING	
3	37431600	OUTER TOOTHED WASHER D16	
4	26220005	FLAT NUT 3/8	
5	10060140	CLEVER STEAM TAP RIGHT+A.V. VALVE	
6	37510700	ELASTIC RING D.7	
7	32239044	NEW STEAM COCK WASHER	
8	36230001	TEFLON WASHER	
9	10701239	KIT CLEVER/15 CAMS PEEK RIGHT	
10	39110035	WATER-STEAM COCK SPRING	
11	10060002	ROD+NUT AND STEAM COCK GASKET	
12	36301105	GASKET FOR NUT STEAM TAP EPDM	
13	27400001	GASKET COPPER COMPASS RE GROUP	
14	10060022	STEAM TAP BODY WITH COMPASS	
15	10705180	KIT AV VALVE STEAM TAP	
16	36404058	ORING 3,68 X 1,78 EPDM 70SH TEFLON	
17	10060139	CLEVER STEAM TAP LEFT+A.V. VALVE	
18	10701240	KIT CLEVER/15 CAMS PEEK LEFT	
19	10049125		
20	10049123	STEAM WAND MC/15	
21	36301105	GASKET FOR NUT STEAM TAP EPDM	
22	39110038	SPRING	
23	36930016	GASKET	
24	36990004	RUBBER FOR STEAM PIPES	
25	36404022	O-RING 6,4 X 1,9 R5A	
26	23212035	STEAM SPRAYER LG44 D1.5	
27	36930017	TEFLON GASKET FOR STEAM WAND NUT	

Code	No. table	Pos.
	1000_5	5
	1000_5	6
	1000_5	7
	2003_2	10
	3001_2	5
10025015N	2003_2	3
10025015S	2003_2	3
10029306	2003_2	9
10030033	2003_2	5
10041038	2003_2	7
10042129	2003_2	16
10042144	2003_2	18
10042145	2001_2	11
10042148	2001_2	13
10042149	2001_2	9
10043078	2001_2	12
10049014	2008	22
10049123	2007	20
10049123	4000	20
10049125	4000	19
10051182	2004_1	1
10060002	2007	13
10060002	2008	13
10060002	4000	11
10060022	2007	16
10060022	4000	14
10060023	2008	16
10060061	2003_2	12
10060139	4000	17
10060140	4000	5
10060141	2007	5
10060142	2008	5
10060181	4000	1
10060188	2008	1
10060189	2007	1
10060525	2003_2	14
10071100	2004_1	2
10071118R	2004_1	3
10071137R	2004_1	2
10090002	2004_1	17
10110967	3001_2	8
10110969	3001_2	8
10110970	3001_2	8
10700300	2003_2	20
10700300	2003_2	20
10701002	1000_5	18
10701004	1000_5	18
10701187	1000_5	2
10701188	1000_5	1
10701239	4000	9
10701240	4000	18
10701245	2003_2	20
10701246	2003_2	20
10701259	1000_5	2
10701260	1000_5	1
10701387	2007	19
10705079	2008	22
10705091	2004_1	5
10705180	2007	17
10705180	4000	15
10705535	2004_1	4
10705960	2001_2	6
10706027	2008	17
20112211	2004_1	6
20122653	2004_1	19
20200042	2004_1	18
20200182	2004_1	15

Code	No. table	Pos.
21100801	2004_1	8
21102601	2004_1	7
23000282	2001_2	15
23000302	2007	10
23000302	2008	10
23212033	2007	26
23212035	4000	26
23220029	2007	9
23220029	2008	9
25105005	2004_1	11
25135020	2008	23
25139001	2004_1	14
26220005	2007	4
26220005	2008	4
26220005	4000	4
27350003	2003_2	13
27400001	2007	15
27400001	2008	15
27400001	4000	13
27400002	2004_1	20
32210001	2007	2
32210001	2008	2
32210001	4000	2
32239044	2007	7
32239044	2008	7
32239044	4000	7
32332040	1000_5	9
32332041	1000_5	11
32332042	1000_5	14
32332043	1000_5	3
32332044	1000_5	21
32332047	1000_5	17
32332048	1000_5	4
33111013	2003_2	4
33111015	2003_2	4
33122017	2003_2	4
34011009	2001_2	4
34011102	2001_2	4
34020020	2001_2	5
34030134	3001_2	9
34030146	3001_2	1
34030146	3001_2	10
34030147	3001_2	2
34030148	3001_2	2
34030149	3001_2	2
34030150	3001_2	2
34040149	2004_1	23
34040150	2004_1	23
34070029	3001_2	3
34150023	3001_2	4
34200088	2003_2	15
34200109	2001_2	10
34200200	3001_2	6
34200354	2003_2	17
34200354	3001_2	7
34200355	2003_2	17
34200355	3001_2	7
35002512	2003_2	6
36220018	2003_2	8
36230001	2007	8
36230001	2008	8
36230001	4000	8
36301046	2004_1	16
36301105	2007	14
36301105	2007	21
36301105	2008	14
36301105	2008	18

Code	No. table	Pos.
36301105	4000	12
36301105	4000	21
36322003	2001_2	2
36402001	2004_1	18
36404022	2007	25
36404022	4000	25
36404052	2001_2	14
36404052	2003_2	19
36404058	2007	18
36404058	4000	16
36930016	2007	23
36930016	2008	20
36930016	4000	23
36930017	2007	27
36930017	2008	21
36930017	4000	27
36990004	2007	24
36990004	4000	24
36990078	2007	11
36990078	2008	11
37030518	2004_1	12
37040617	2004_1	21
37040821	2003_2	11
37040835	2004_1	21
37060413	2004_1	24
37430600	2004_1	22
37431600	2007	3
37431600	2008	3
37431600	4000	3
37510700	2007	6
37510700	2008	6
37510700	4000	6
38120300	1000_5	10
38120326	1000_5	18
38120328	1000_5	13
38120329	1000_5	13
38120335	1000_5	19
38123011	1000_5	20
38123568	1000_5	15
38123666	1000_5	16
38123852	1000_5	15
39110035	2007	12
39110035	2008	12
39110035	4000	10
39110038	2007	22
39110038	2008	19
39110038	4000	22
40100001	2004_1	9
40100010	2004_1	10
40200005	2004_1	13
42200121	1000_5	8
42200122	1000_5	4
42200140	1000_5	12
69000428	2003_2	1
69000734	2001_2	7
69000836	2001_2	8
69140006	2003_2	21
69140007	2003_2	22
69140009	2003_2	27
69140010	2003_2	29
69140011	2003_2	30
69140014	2003_2	2
69140015	2003_2	2
69140016	2003_2	25
69140017	2003_2	23
69140018	2003_2	24
69140019	2003_2	28



coffeeing the World

Alphanumeric index

Code	No. table	Pos.
80134961	2001_2	3



Headquarters, Production Plant and R&D Centers

Rancilio Group s.p.a.

Viale della Repubblica 40
20010 Villastanza di Parabiago
Milano - Italy
Tel +39 0331 408200
Fax +39 0331 551437
www.ranciliogroup.com
info@ranciliogroup.com

Egro Suisse AG

Bahnhofstrasse 66
5605 Dottikon, Switzerland
Tel. +41 (0)56 616 95 95
Fax +41 (0)56 616 95 97
www.egrocoffee.com
info@egrocoffee.com

Worldwide Branch Locations

SPAIN

RancilioGroup Espana, s.a.
Gran Via de Carlos III, 84 3ª
Edificio Trade
08028 Barcelona - Spain
Tel. +34 902 884 275
Tel. +34 934 923 414
Fax +34 934 965 701
www.ranciliogroup.com
info-es@ranciliogroup.com

PORTUGAL

Rancilio Group Portugal Lda
Estrada da Falagueira nº 68 E
2700-365 Amadora-Lisboa - Portugal
Tel. +351 21 019 10 91
Fax +351 21 019 10 91

Rua Nova do Seixo 1282
4465-706 Leça do Balio-Porto - Portugal
Tel. +351 22 010 14 19
Fax +351 22 010 14 19
www.ranciliogroup.com
info-pt@ranciliogroup.com

GERMANY

Rancilio Group Deutschland GmbH
Talstrasse 27
97990 Weikersheim - Germany
Ph. +49 7934 99 29 30
Fax +49 7934 99 29 330
www.ranciliogroup.de
info-de@ranciliogroup.com

SWITZERLAND

Egro Suisse AG
Bahnhofstrasse 66
5605 Dottikon - Switzerland
Tel. +41 (0)56 616 95 95
Fax +41 (0)56 616 95 97
www.egrosuisse.ch
info@egrosuisse.ch

USA/CANADA

Rancilio Group North America Inc.
1340 Internationale Parkway / Suite 200
Woodridge, IL 60517 - U.S.A.
Ph: +1 630 914 7900
Fax: +1 630 914 7901
Toll Free: +1 877 726 2454
www.ranciliogroup.com
info@ranciliogroupna.com

