

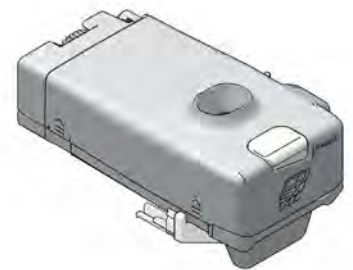
Zia

Spare Parts Manual

Coffee Machine

Zia 19.000 series

9XEAP with CoEx XL Brewer



0516-A

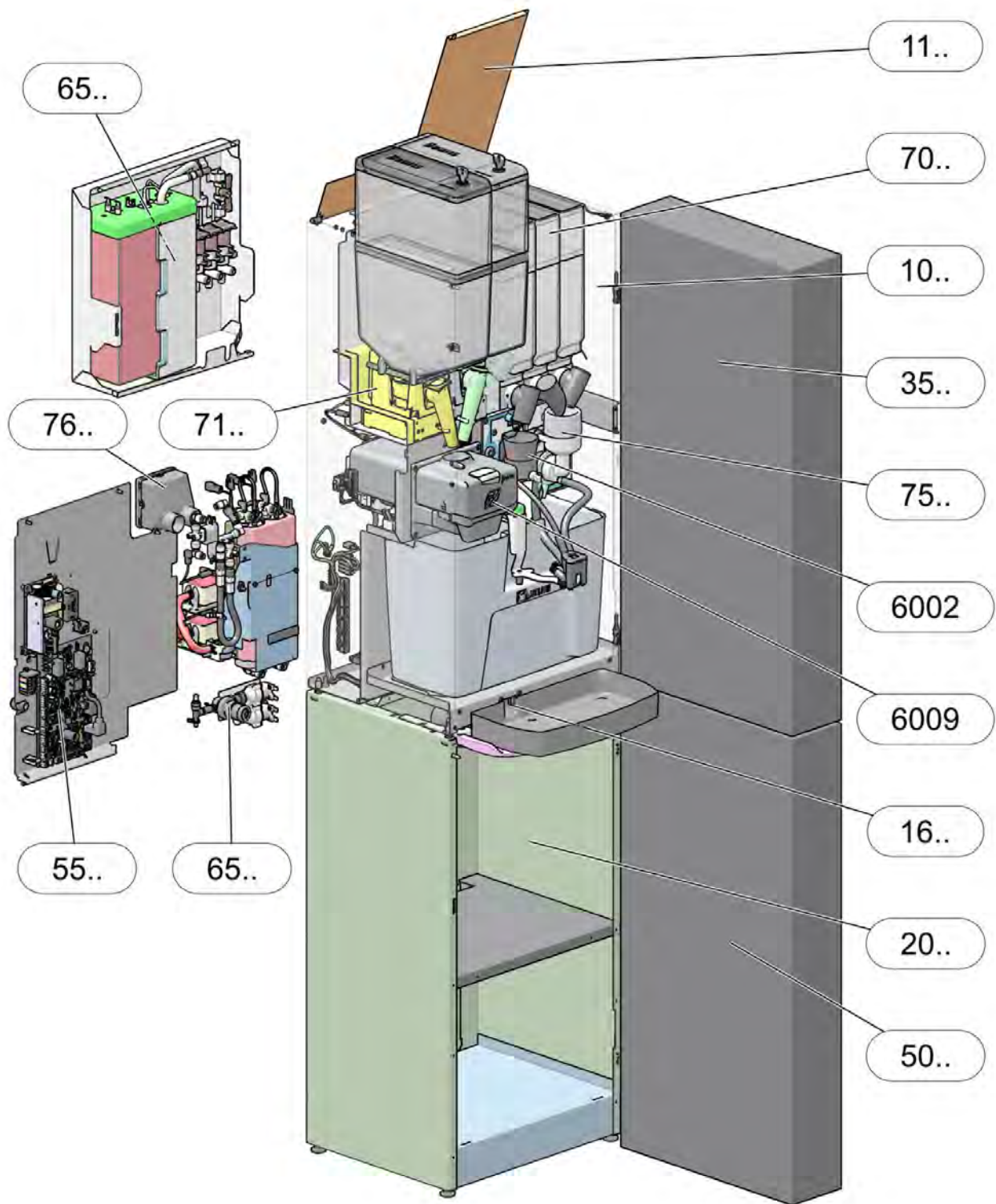
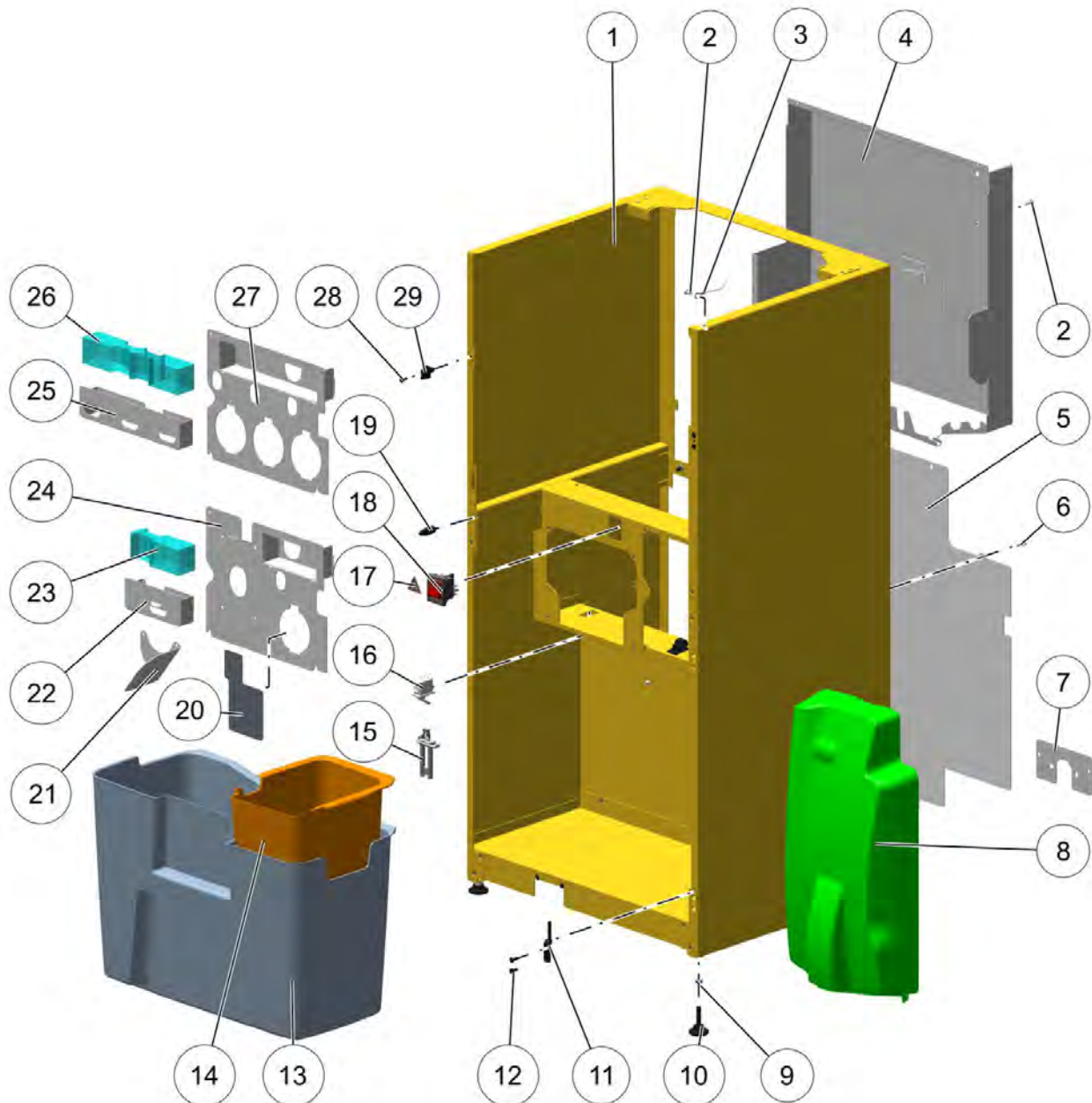




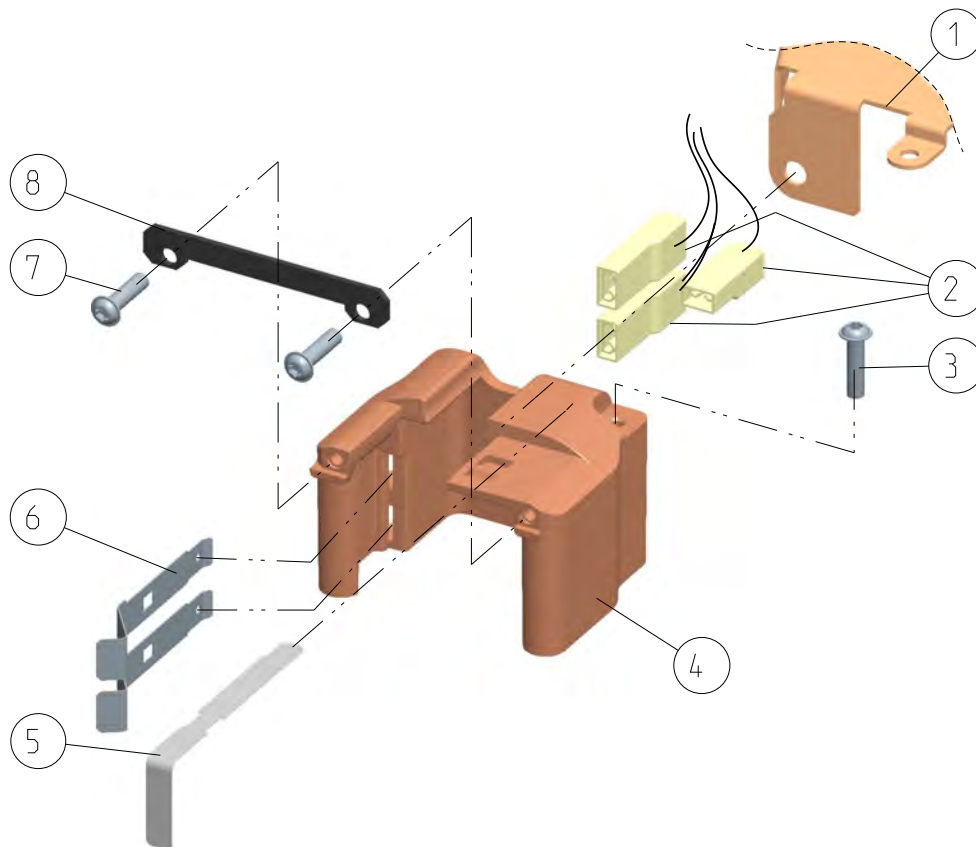
Table of Contents

0516 Overview 9XEA - Zia 19000	2
1022 Cabinet 9XEA.....	4
1603 Drip tray Sensor.....	6
2001 Base Cabinet Medium.....	8
3521 Door Zia Medium.....	10
4013 Display Zia	14
4304 Cup Stand	18
4509 Coin Acceptor in Door	20
4513 Change Giver in Door - Zia Medium.....	24
4515 Payment Unit	26
5007 Base Cabinet Door Medium	30
5518 MoVeC ICEQ IOB and PSU (CoExXL).....	32
5515 MoVeC ICEQ2 Controller Board	34
6002 Tea Brewer	38
6006 CoEx XL Brewer Overview.....	42
60061 CoEx XL Mounting Frame	44
60062 CoEx XL Brewer.....	46
6109 CoEx XL outlets.....	48
6502 Open Boiler Overview.....	50
65021 Open Boiler Lid.....	52
65022 Open Boiler.....	56
6503 Pressure Boiler PPSU 9XEA	58
6608 Valves PPSU 9XEA	62
7010 Canister Complete 9XEA.....	64
70101 Canister Body.....	72
70102 Canister Wheel and Spring	74
70103 Canister Base.....	76
7015 Bean Canister	78
7103 D-Grinder Assembly.....	80
7104 D-Grinder	82
7503 Mixer System.....	84
7603 Fan 9XNA-9XEA.....	86
8001 Cup Mechanism.....	88
8102 Outlet Mechanism.....	92
9000 Recommended Tools	94
Disclaimer	97

1022-A

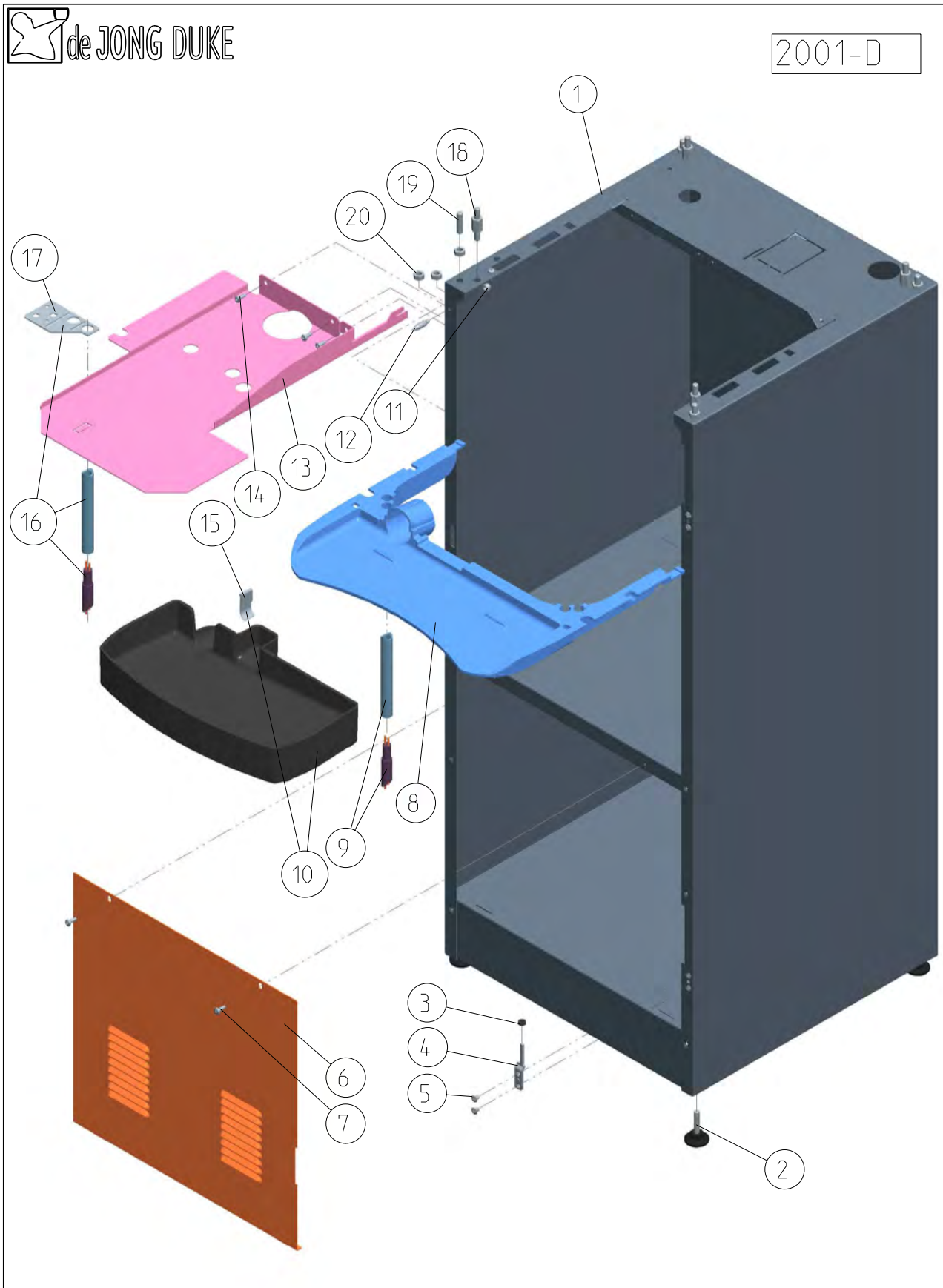


<i>Drawing</i>	<i>Pos</i>	<i>S</i>	<i>Part Nr</i>	<i>Qty</i>	<i>Spare Part Description</i>
1022-A	01		6HKA098	1	Cabinet 9XEA model
1022-A	02		4BSC022	8	Cutting screw 3.5x9.5
1022-A	03		KA338	1	Ground wire
1022-A	04		5MBH489	1	Backplate top for boiler
1022-A	05		5MBH492	1	Lower backplate
1022-A	06	SE	4BBK032	4	Bolt M4x12
1022-A	07		5MVL082	1	Fixing plate inlet valve
1022-A	08		5KAE006	1	Cover IOB and Power Supply
1022-A	09		4KAB008	4	Spacer 6.2x10x5
1022-A	10		KA23	4	Feet
1022-A	11		5MHS015	2	Hinge
1022-A	12		4BBK011	4	Bolt M4x10
1022-A	13		5KAF150	1	Waste bucket CoExXL brewer 9XEA
1022-A	14		5KAF137	1	Drip tray under CoExXL brewer
1022-A	15		5RVA027	1	Sensor - Internal Drip tray full
1022-A	16		4ESK041	1	Waste bucket detector switch
1022-A	17		5TAB020	1	Sticker Electrical / Safety
1022-A	18	SW	4ESK020	1	Main switch 16A + red led
1022-A	19		5MDF032	1	Door pin Torx
1022-A	20		5KFR041	1	Cover plate mixer mounting
1022-A	21		5MAF118	1	Tea residu guide
1022-A	22		5MAF117	1	Suction filter drawer short
1022-A	23		TBD	1	Suction filter short
1022-A	24		5MMX060	1	Mixer mounting bracket 9XEA mixer + tea brewer
1022-A	25		5MAF119	1	Suction filter drawer long
1022-A	26		TBD	1	Suction filter long
1022-A	27		5MMX062	1	Mixer mounting bracket 9XEA for mixer(s)
1022-A	28		4BSC052	1	Screw 3,5x10 Tx15
1022-A	29	SW	5KDS039	1	Door Switch activator



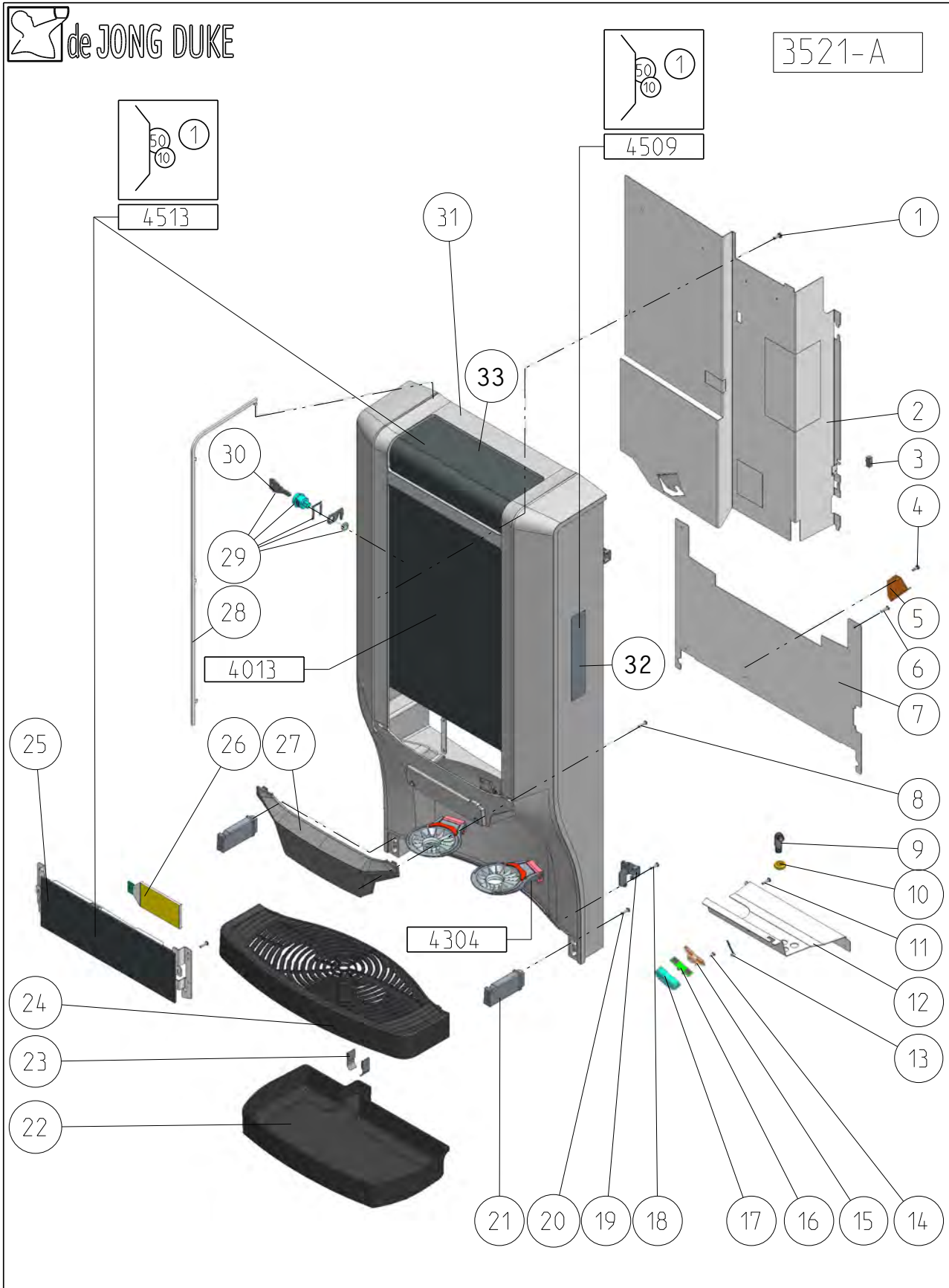
Drawing	Pos	S	Part Nr	Qty	Spare Part Description
1603-B		SW	6CSS060		Drip tray connector assembly <i>with items 2, 4, 5, 6</i>
1603-B	01		5MAF101- RAL9005	1	Back bracket - powder coated <i>(Nio only)</i>
1603-B	02		6CKB456	1	Cable
1603-B	03		4BSC036	1	Screw torx 3.5x13.5
1603-B	04		5KAF135	1	Sensor housing <i>NOTE: only use in combination with 5MVR046</i>
1603-B	05		5MVR046	1	Connector clip <i>NOTE: only use in combination with 5KAF135</i>
1603-B	06		5MVR030	2	Side spring connector
1603-B	07		4BSC036	2	Screw torx 3.5x13.5
1603-B	08		5MVL214	1	Front bracket <i>(for Nio only)</i>
HISTORY					
1603-B		SW	6CSS042		Drip tray connector assembly <i>Replaced by 6CSS060 from S/N 2017.11.xxxx.001</i>
1603-B	01		5MAF101	1	Back bracket - untreated <i>Replaced by 5MAF101-RAL9005 from S/N 2020.04.6766.001</i>
1603-B	04		5KAF114	1	Sensor housing <i>Replaced by 5KAF135 from S/N 2017.11.xxxx.001</i>
1603-B	05		5MVR033	1	Connector clip <i>Replaced by 5MVR046 from S/N 2017.11.xxxx.001</i>

- Part numbers marked with "SE" are Service parts Engineer stock
- Part numbers marked with "SW" are Service parts Warehouse stock
- Part numbers marked with "n/a" are Not Available as spare part
- De Jong Duke recommends to have service parts available on local stock or car stock.

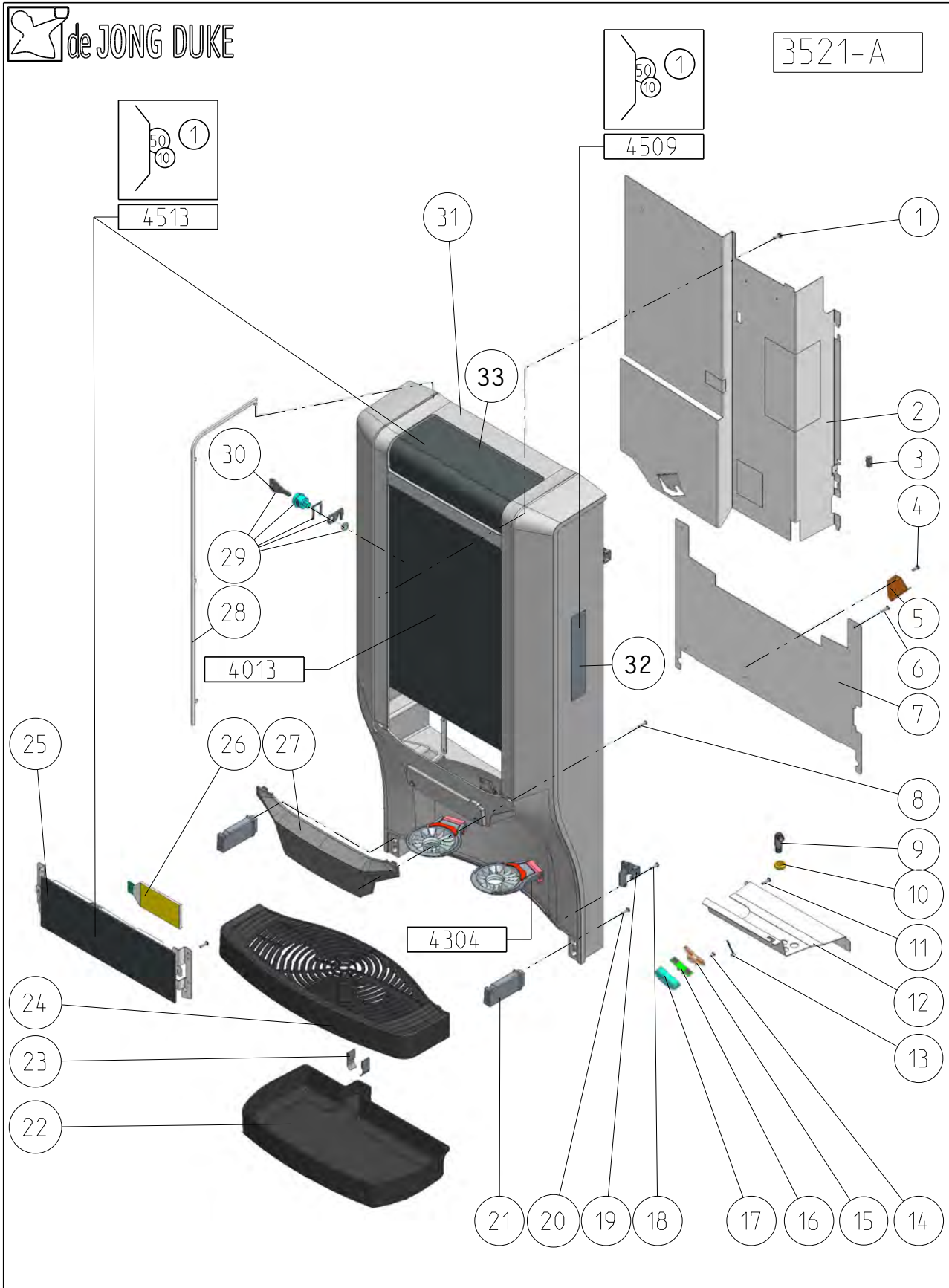


<i>Drawing</i>	<i>Pos</i>	<i>S</i>	<i>Part Nr</i>	<i>Qty</i>	<i>Spare Part Description</i>
2001-D	01		6HKA015-RAL9011		Base cabinet medium
2001-D	02		KA23		Feet
2001-D	03		4KAB002		Distance holder 4.2x8x3
2001-D	04		5MHS015		Hinge
2001-D	05		4BBK011		Bolt M4x10
2001-D	06		5MPL151-KTL		Cover cooling unit in base-cabinet medium
2001-D	07		4BSC022		Cutting screw 3.5x9.5
2001-D	08		5KAF109		Drip tray Base plate medium <i>for Virtu (Varea/V'eco), Zia, Lua</i>
2001-D	09		6CSS043		Drip tray/waste bucket sensor with connector
2001-D	10		9AOV012		Drip tray drain set for base cabinet medium <i>for Virtu (Varea/V'eco), Zia, Lua</i>
2001-D	10		5KAF108		Drip tray Waste Guide medium <i>for Virtu (Varea/V'eco), Zia, Lua</i>
2001-D	11		4BMZ011		Nut Lock M4
2001-D	12		5MDF011		Door pin
2001-D	13		5MAF036	1	Base plate drip tray <i>for SiroTouch</i>
2001-D	14		4BSC022	3	Cutting screw 3.5x9.5
2001-D	15		5MVR031		Spring clip drip tray
2001-D	16		6CSS020		Water Sensor (Cpl. for Base cabinet) <i>for SiroTouch</i>
2001-D	17		5MPL088		Holder for sensor <i>for SiroTouch</i>
2001-D	18		5BBZ008	4	Distance holder <i>for 9FEC, 9INA, 9FND (S/N < 2011.12.xxxx.xxx)</i>
2001-D	19		4BBY022	4	Distance holder screw M6x25
2001-D	20		4BMZ007	8	Nut M6

- Part numbers marked with "SE" are Service parts Engineer stock
- Part numbers marked with "SW" are Service parts Warehouse stock
- Part numbers marked with "n/a" are Not Available as spare part
- De Jong Duke recommends have service parts available on local stock or car stock.

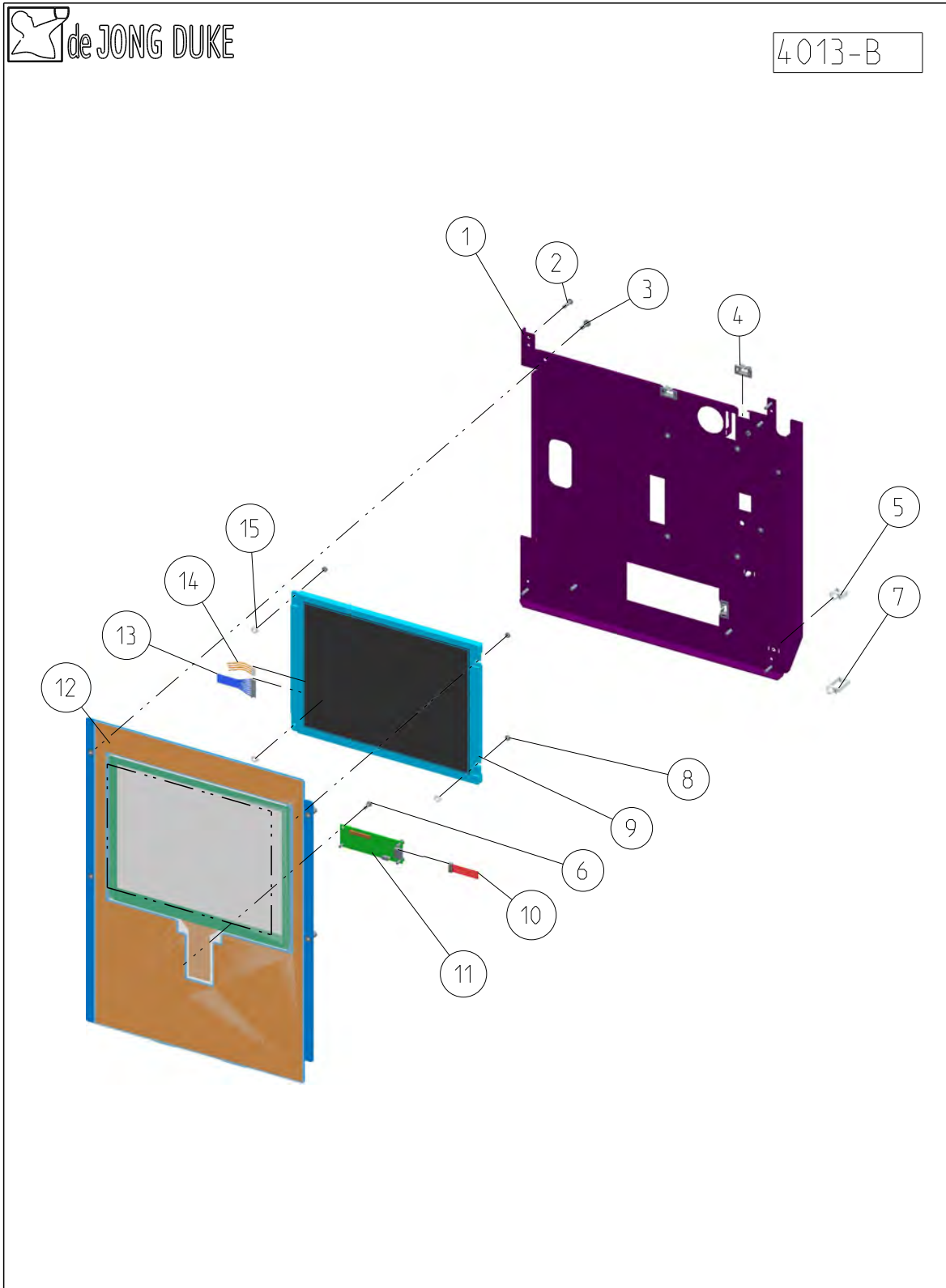


<i>Drawing</i>	<i>Pos</i>	<i>S</i>	<i>Part Nr</i>	<i>Qty</i>	<i>Spare Part Description</i>
4013					Refer to drawing 4013 Display Zia
4304					Refer to drawing 4304 Cup Stand
4509					Refer to drawing 4509 Coin acceptor in door side Zia
4513					Refer to drawing 4513 Change giver in door front Zia Medium
3521-A		SW	6CSS041	1	Cup sensor complete <i>with items 14, 15, 16, 17</i>
3521-A		SW	6AOV031	1	Drip tray complete with spring clips
3521-A	01	SE	4BBK032	1	Bolt M4x12
3521-A	02		5MDR487	1	Plate internal
3521-A	03		4BKM056	1	Flat cable clamp with plug
3521-A	04		4BSC022	1	Cutting screw 3.5x9.5
3521-A	05		5MPL253-RAL9005	1	Dripping edge
3521-A	06		4BSC036		Screw torx 3,5x13,5
3521-A	07		5MDR492	1	Lower cover plate for Zia Medium
3521-A	08		4BSC036	2	Screw torx 3,5x13,5
3521-A	09	SE	5KVL022	2	Outlet knee (107 grd d=10)
3521-A	10	SE	4RDT009	3	Outlet tube 10x8x18
3521-A	11		4BSC036	2	Screw torx 3,5x13,5
3521-A	12		5MDR491	1	Decentralized dispense plate
3521-A	12		5MDR490	1	Centralized dispense plate for cup mechanism
3521-A	13		6CKB517	1	Cable loom for sensors Zia Medium
3521-A	14		4BSC042	1	Screw 2.2x6.5
3521-A	15		5KBK032	1	Lid cup sensor
3521-A	16		5EPR133	1	Cup sensor Movec ICEQ
3521-A	17		5KBK031	1	Cup sensor holder
3521-A	18		4BSC036	4	Screw torx 3,5x13,5
3521-A	19		5MHS012	2	Door hinge
3521-A	20		4BSC036	2	Screw torx 3,5x13,5
3521-A	21		5KAF104	2	Drip tray guide
3521-A	22	SW	5KAF102	1	Drip tray
3521-A	23	SW	5MVR031	2	Drip tray spring clip
3521-A	24	SW	5KAF103	1	Drip tray grid
3521-A	25		5TVF072+ 5BTPO39+ 5MDR486	1	Front plate assembly
3521-A	26		4ESK052+ 5EPR152	1	Backlight with print

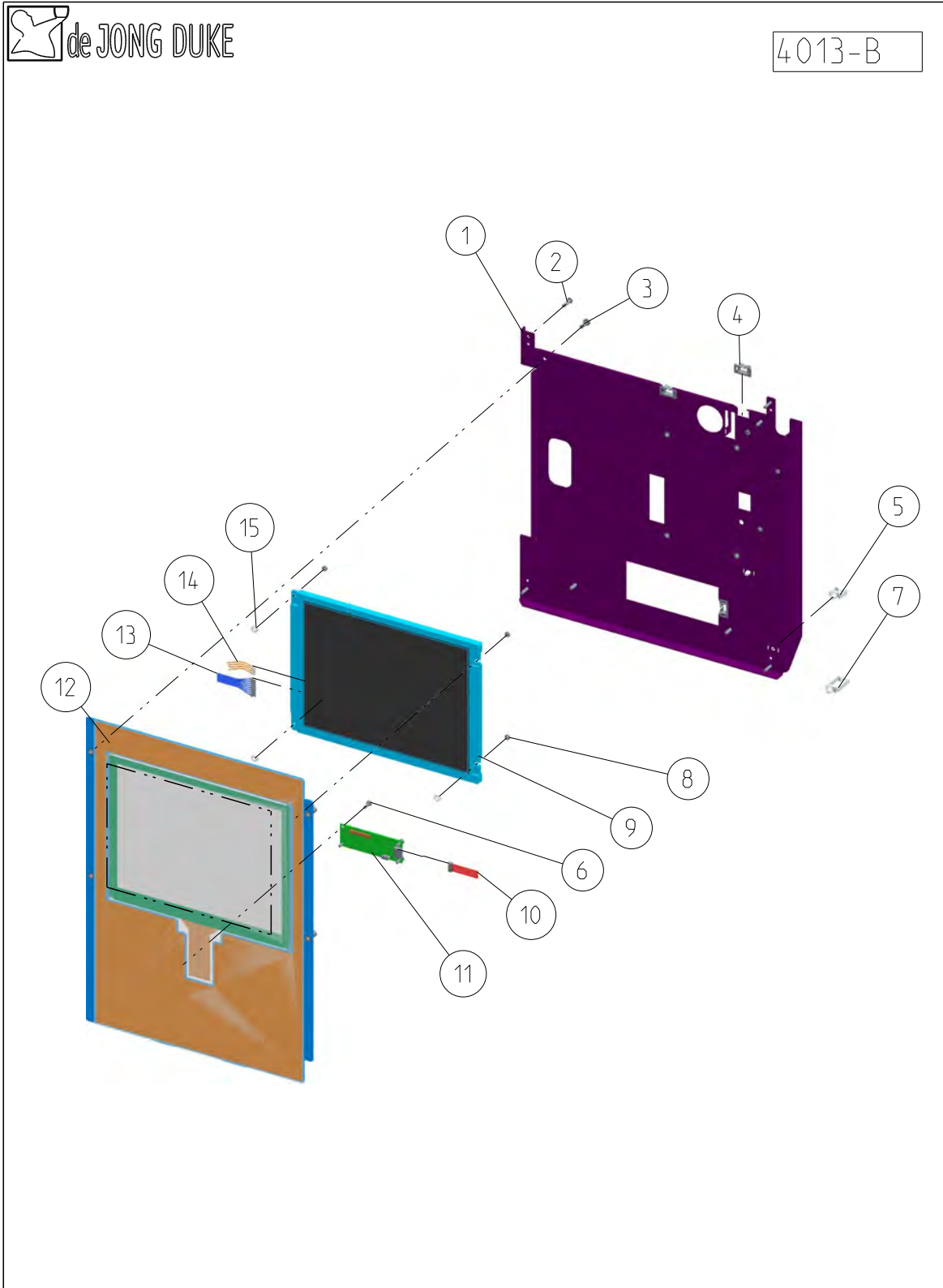


<i>Drawing</i>	<i>Pos</i>	<i>S</i>	<i>Part Nr</i>	<i>Qty</i>	<i>Spare Part Description</i>
3521-A	27		5KDR076	1	Dispense front for Zia Medium
3521-A	28		5MDR495	2	Decoration strip front for Zia Medium
3521-A	29		9HDR078	1	Lock assembly with clip for Zia Medium
3521-A	30		4MHS042	1	Keys for lock 9HDR078
3521-A	31		5KDR075	1	Door Zia Medium
3521-A	32		5KDR041	1	Cover plate coin acceptor Zia Medium
3521-A	33		9HDR091	1	Window upper part door (black) including double sided adhesive tape

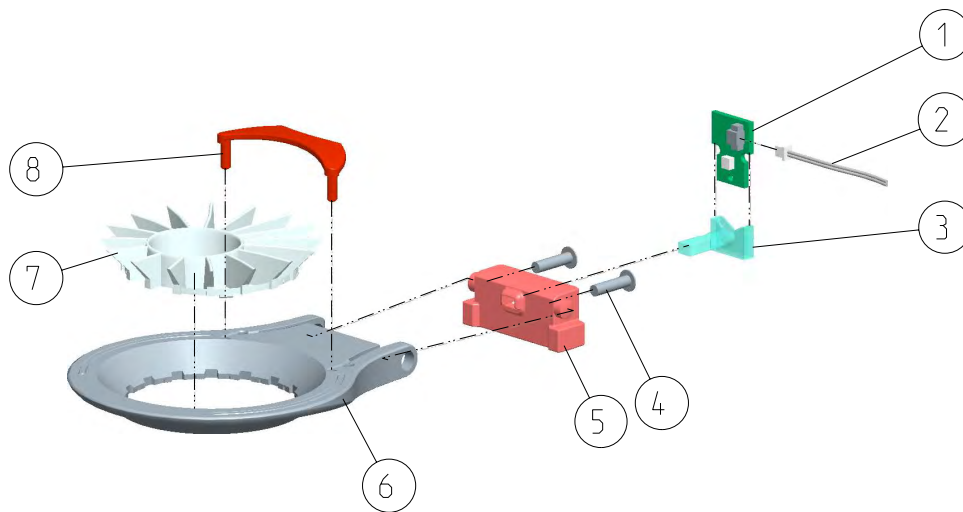
- Part numbers marked with "SE" are Service parts Engineer stock
- Part numbers marked with "SW" are Service parts Warehouse stock
- Part numbers marked with "n/a" are Not Available as spare part
- De Jong Duke recommends to have service parts available on local (SW) or car stock (SE).



<i>Drawing</i>	<i>Pos</i>	<i>S</i>	<i>Part Nr</i>	<i>Qty</i>	<i>Spare Part Description</i>
4013-B	01		5MDR465	1	Cover plate Zia Small
4013-B	01		5MDR493	1	Cover plate Zia Medium
4013-B	02		4BSC036		Screw torx 3,5x13,5
4013-B	03		4BBK032		Bolt M4x12
4013-B	04		4BKM053	3	Cable saddle
4013-B	05		4BKM051	2	Cable clamp
4013-B	06		4BBK040		Bolt+spring washer M3x10
4013-B	07		4BKM031		Cable clamp with plug
4013-B	08		4BMZ002	4	Nut M3
4013-B	09	SW	4EPR025	1	800x600 LVDS Touch Display 10,4" (Pos. Backlight)
4013-B	10		6CKB489	1	Cable PCT controller usb
4013-B	11		4EPR023	1	PCT controller <i>for touchscreen</i>
4013-B	12		6CSS054	1	Front panel + Touchscreen + Mounting plate 5MDR464 Zia <i>for 4EPR022 display (640x480)</i>
4013-B	12		6CSS061	1	Front panel + Touchscreen + Mounting Plate 5MDR471 Zia <i>for 4EPR025 display (800x600)</i>
4013-B	13	SW	6CKB485	1	Cable for controller board-display LVDS
4013-B	14	SW	6CKB488	1	Cable for backlight LVDS ICEQ2
4013-B	15		4KAB002	4	Distance holder 4.2x8x3
Used combination A, B, or C:					
<u>A - 4EPR017 display 640x480</u>					
<i>used until S/N 2014.02.xxxx.xxx</i>					
4013-B	09	SW	4EPR017	1	Touch display 10,4" (Pos. Backlight / TTL) <i>Discontinued in production from S/N 2014.02.xxxx.xxx</i>
4013-B	10		6CKB482	1	Cable PCT controller usb <i>Discontinued in production from S/N 2015.37.xxxx.001</i>
			5EPR121	1	10,4" Display Converter
			6CKB422	1	Cable Controller board - Display converter
			4EPR016	1	Backlight Converter 10,4"
4013-B	11	SW	4EPR023	1	PCT controller <i>for touchscreen</i>

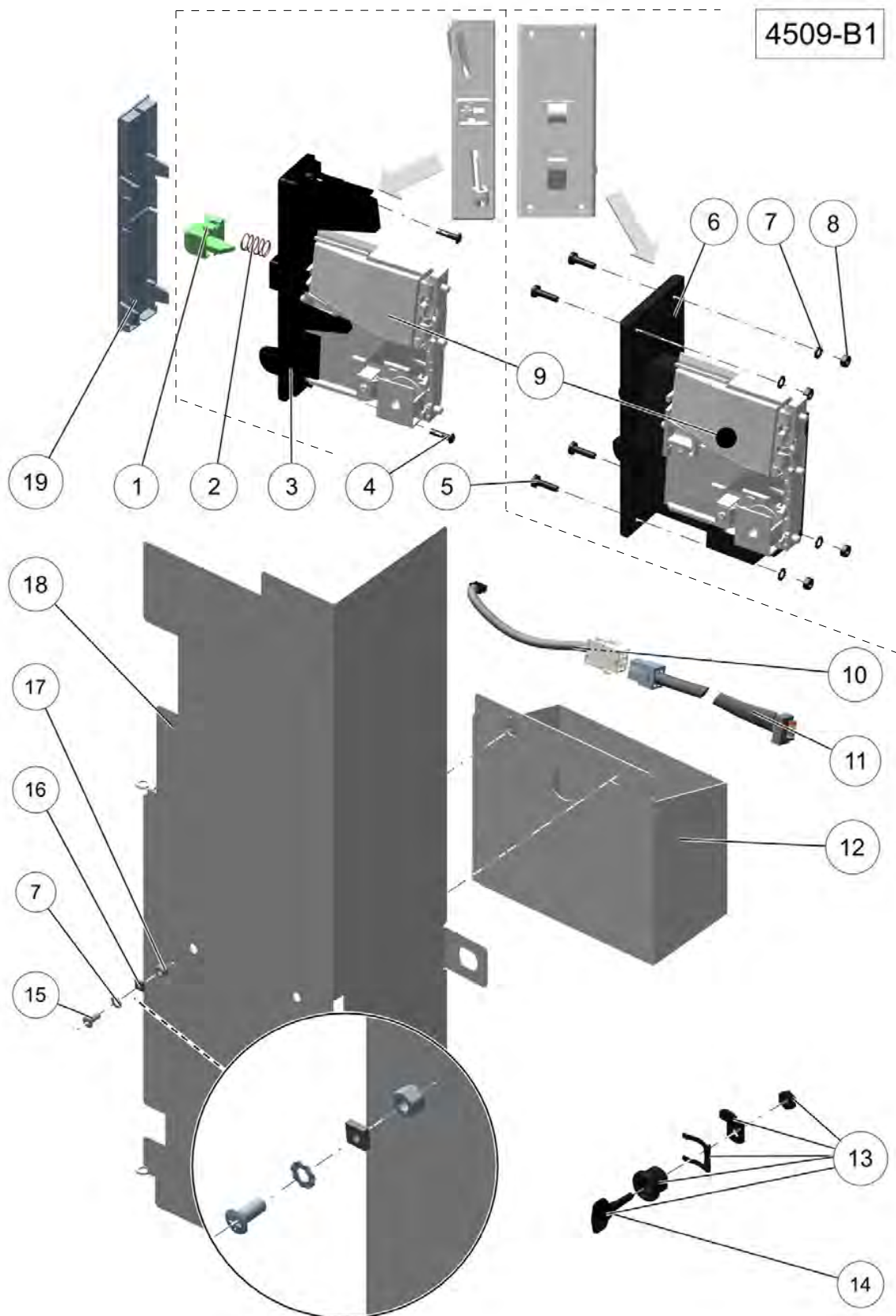


Drawing	Pos	S	Part Nr	Qty	Spare Part Description
<u>B - 4EPR022 display 640x480</u>					
<i>used until S/N 2015.37.xxxx.001</i>					
4013-B	09	SW	4EPR022	1	640x480 LVDS Touch Display 10,4" (Pos. Backlight) <i>Discontinued in production from S/N 2015.37.xxxx.001</i>
4013-B	10		6CKB489	1	Cable PCT controller usb
4013-B	11	SW	4EPR023	1	PCT controller
4013-B	12		6CSS054	1	Front panel + Touchscreen + Mounting plate 5MDR464 Zia <i>for 4EPR022 display (640x480)</i>
4013-B	13	SW	6CKB485	1	Cable for controller board-display LVDS
4013-B	14	SW	6CKB486	1	Cable for backlight LVDS ICEQ
<u>C - 4EPR025 display 800x600</u>					
4013-B	09	SW	4EPR025	1	800x600 LVDS Touch Display 10,4" (Pos. Backlight)
4013-B	10		6CKB489	1	Cable PCT controller usb
4013-B	11	SW	4EPR023	1	PCT controller <i>for touchscreen</i>
4013-B	12		6CSS061	1	Front panel + Touchscreen + Mounting Plate 5MDR471 Zia <i>for 4EPR025 display (800x600)</i>
4013-B	13	SW	6CKB485	1	Cable for controller board-display LVDS
4013-B	14	SW	6CKB488	1	Cable for backlight LVDS ICEQ2
HISTORY					
4013-B	09	SW	4EPR017	1	Touch display 10,4" (Pos. Backlight / TTL) <i>Discontinued in production from S/N 2014.02.xxxx.xxx</i>
4013-B	09	SW	4EPR022	1	640x480 LVDS Touch Display 10,4" (Pos. Backlight) <i>Discontinued in production from S/N 2015.37.xxxx.001</i>
4013-B	10		6CKB482	1	Cable PCT controller usb <i>Discontinued in production from S/N 2015.37.xxxx.001</i>
4013-B	13		6CKB422	1	Cable for controller board-display converter <i>Discontinued in production from S/N 2014.02.xxxx.xxx</i>

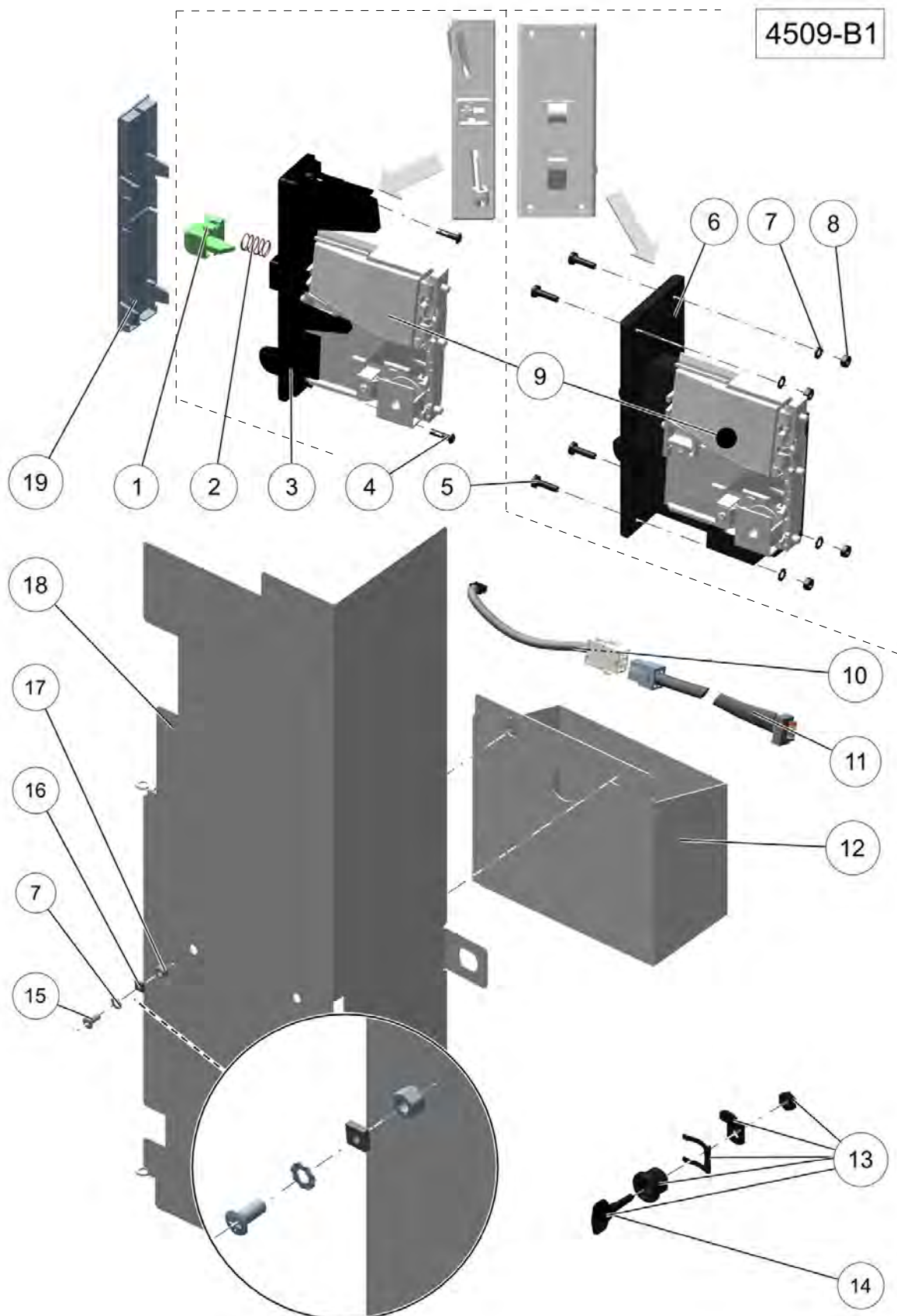


<i>Drawing</i>	<i>Pos</i>	<i>S</i>	<i>Part Nr</i>	<i>Qty</i>	<i>Spare Part Description</i>
4304-A		SW	6BMB029	2	Lighted cup tray assembly <i>with items 1, 3, 5, 6, 7, 8 (black)</i>
4304-A	01	SW	5EPR124	1	Led board cup stand
4304-A	02	SW	6CKB432	1	Cable loom door T1 (medium model)
4304-A	03		5KBK054	1	Light guide cup stand
4304-A	04	SE	4BSC036	2	Screw torx 3,5x13,5
4304-A	05		5KBK052	1	Hinge cup stand
4304-A	06		5KBK053	1	Cup stand base part
4304-A	07		5KBK027	1	Grid cup stand
4304-A	08		5KBK028	1	Cup-positioner cup stand (black)
4304-A	08		5KBK028-ROOD	1	Cup-positioner cup stand (Red)

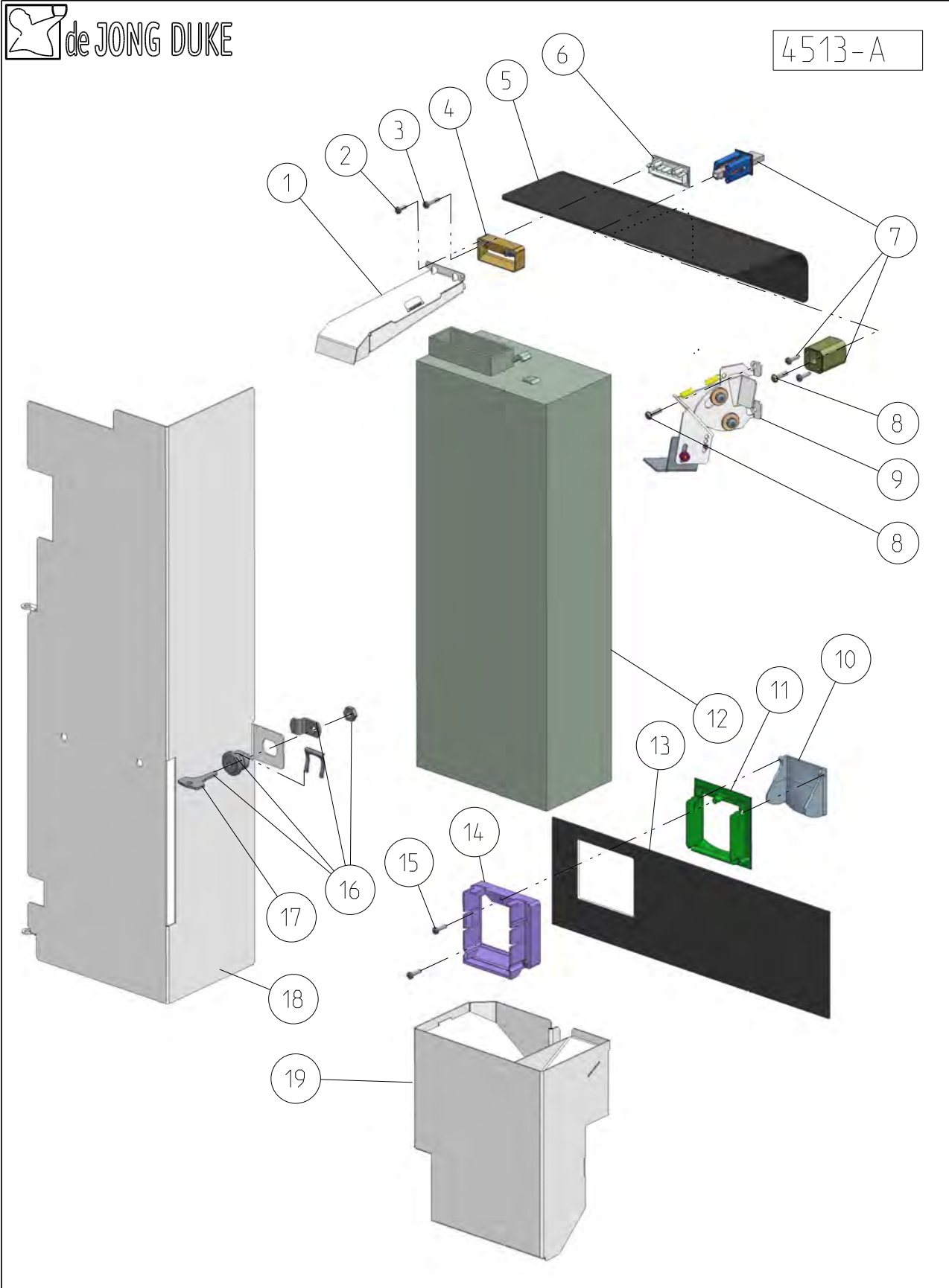
- Part numbers marked with "SE" are Service parts Engineer stock
- Part numbers marked with "SW" are Service parts Warehouse stock
- Part numbers marked with "n/a" are Not Available as spare part
- De Jong Duke recommends to have service parts available on local (SW) or car (SE) stock.



<i>Drawing</i>	<i>Pos</i>	<i>S</i>	<i>Part Nr</i>	<i>Qty</i>	<i>Spare Part Description</i>
					Virtu / Varea / V'eco Medium
4509-B1			9MDG013	1	Coin acceptor G13 including front plate wide <i>with items 6,9</i>
4509-B1			9MDG040	1	Coin acceptor Set for Virtu Medium <i>with items 5,7,8,10,12,13,15,16,17,18</i>
					Siro Touch Small & Medium
4509-B1			9MDG013	1	Coin acceptor G13 including front plate wide <i>with items 6,9</i>
4509-B1			9MDG032	1	Coin acceptor Set for Siro (Touch) Small <i>with items 5,7,8,10,12,13,14</i>
4509-B1			9MDG033	1	Coin acceptor Set for Siro (Touch) Medium <i>with items 5,7,8,10,12,13,14,15,16,17,18</i>
					Zia Medium
4509-B1			4EMU020	1	Coin acceptor G13 (MDB, euro)
4509-B1			9MDG048	1	Coin acceptor Set for Zia Medium <i>with items 1,2,3,4,5,7,8,10,12,13,15,16,17,18</i>
4509-B1	01		5KMS016	1	Return button NRI small
4509-B1	02		5MVR024	1	Return button spring NRI small
4509-B1	03		5KMS015	1	Front of acceptor NRI small (Zia Medium)
4509-B1	04		4BSC036	2	Torx screw 3.5x13.5
4509-B1	05		4BBV048	4	Bolt M4 x 20
4509-B1	06		4KMS001	1	Coin-insert front G13 wide (Virtu/Siro T Medium)
4509-B1	07		4BVR002	4	Star Washer M4
4509-B1	08		4BMZ003	4	Nut M4
4509-B1	09		4EMU020	1	Coin acceptor G13 (MDB, euro)
4509-B1	10		6CKB508	1	MDB Adapter cable 0.1 m (ICEQ2 only)
4509-B1	10		6CKB509	1	MDB Adapter cable 1.6 m (ICEQ2 only)
4509-B1	11		6CKB513	1	MDB cable 0.5m
4509-B1	12		6MOV035-RAL9005	1	Coin box acceptor Siro/Virtu/Zia Medium
4509-B1	12		6MOV031-RAL9005	1	Coin box acceptor Siro Touch Medium
4509-B1	13		4MHS032	1	Lock for coin box Siro Touch
4509-B1	13		4MHS028	1	Lock for coin box Virtu
4509-B1	13		4MHS035	1	Lock for coin box Zia Medium
4509-B1	14		4MHS025	1	Key for 4MHS032 coin box Siro Touch
4509-B1	14		4MHS029	1	Key for 4MHS028 coin box Virtu

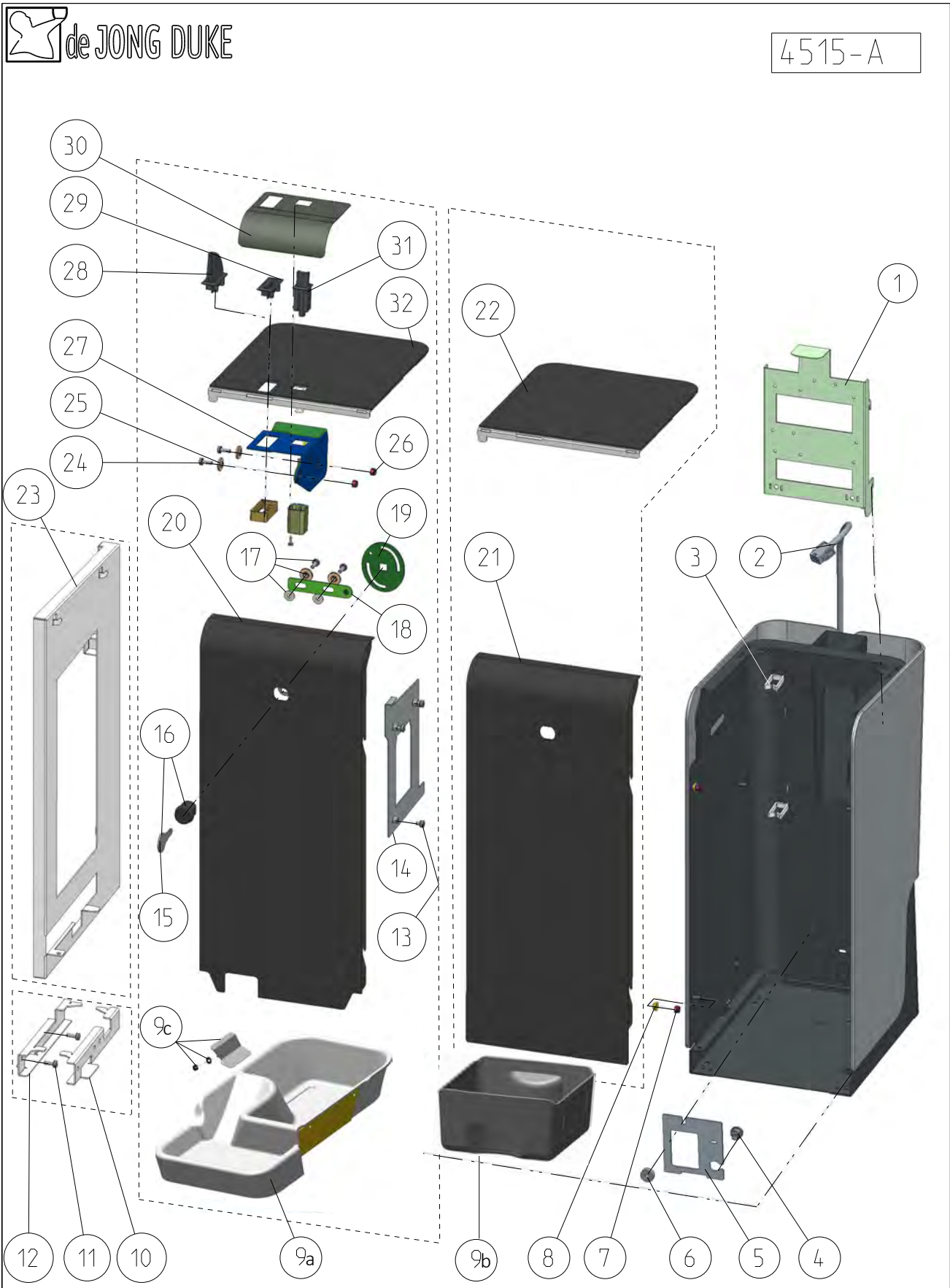



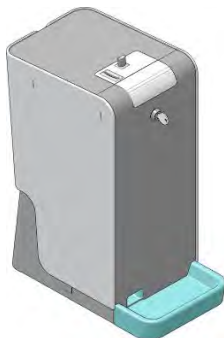
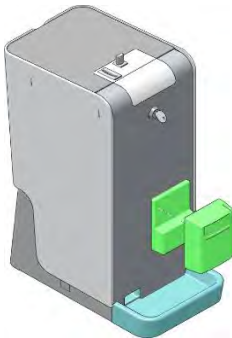

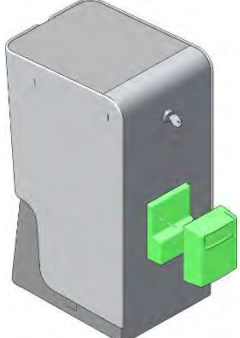
<i>Drawing</i>	<i>Pos</i>	<i>S</i>	<i>Part Nr</i>	<i>Qty</i>	<i>Spare Part Description</i>
4509-B1	14		4MHS045	1	Key for 4MHS035 coin box Zia Medium
4509-B1	15		4BBK011	2	Bolt M4x10
4509-B1	16		4BMV005	2	Square nut 005 M4
4509-B1	17		4BMZ011	2	Nut Lock M4
4509-B1	18		5MDR365-KTL	1	Cover payment system Siro Touch
4509-B1	18		5MDR418-KTL	1	Cover payment system Virtu Medium

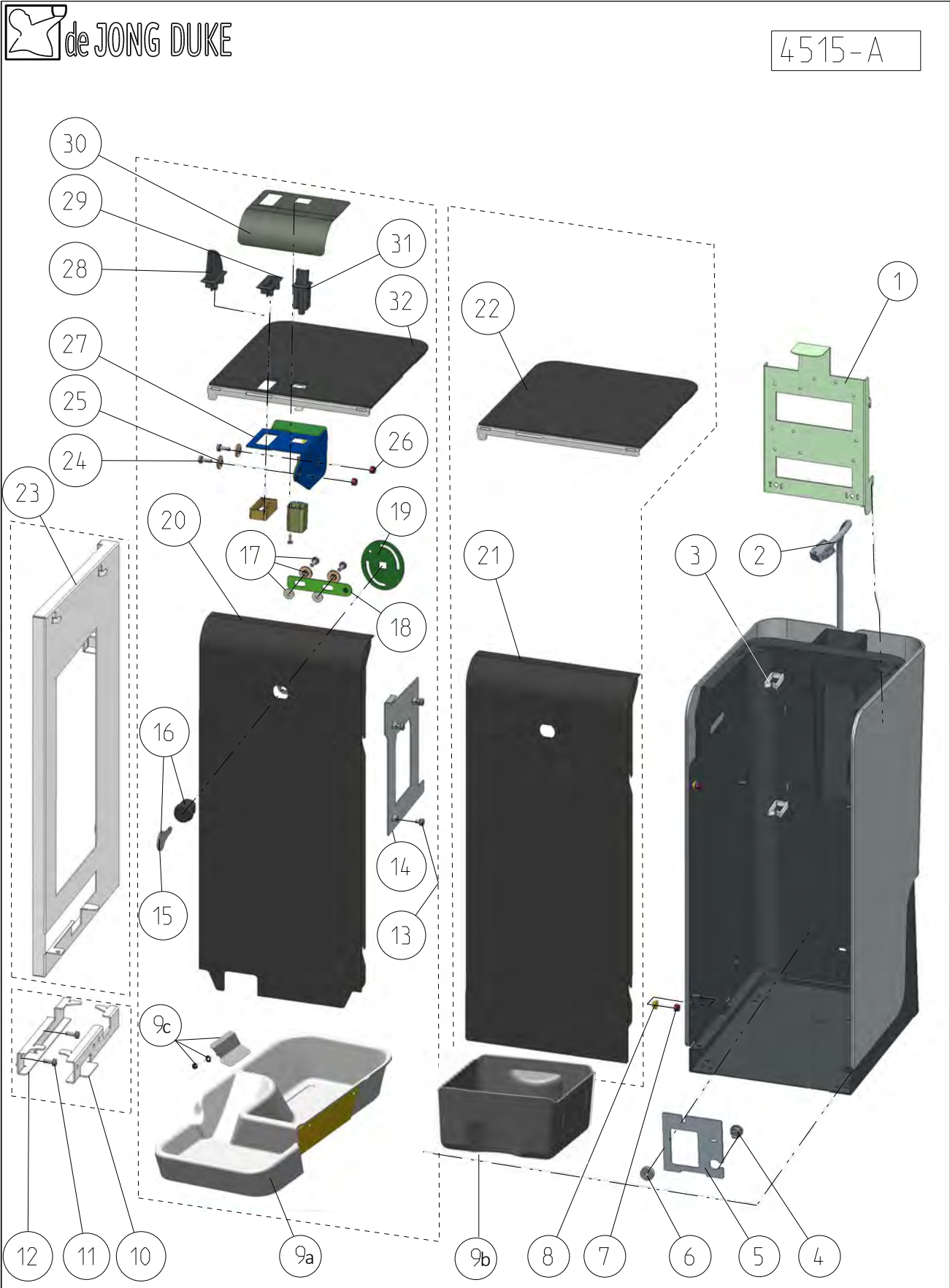


<i>Drawing</i>	<i>Pos</i>	<i>S</i>	<i>Part Nr</i>	<i>Qty</i>	<i>Spare Part Description</i>
4513-A	01		5MMS188	1	Coin chute
4513-A	02		4BSC020	1	Sheet metal screw 2,9x9,5
4513-A	03		4BSC032	1	Sheet metal screw 2,9x16
4513-A	04		5KMS008	1	Coin insert base
4513-A	05		5TVF071	1	Top front plate for change giver Zia Medium <i>order with item 5BTP028 - double sided adhesive tape</i>
4513-A	06		5KMS007	1	Coin insert
4513-A	07		6MDG038	1	Return button
4513-A	08		4BSC036	2	Screw torx 3.5x13.5
4513-A	09		6MDG039	1	Return mechanism Zia Medium
4513-A	10		5KMS012	1	Coin return payment unit
4513-A	11		5KMS013	1	Coin return holder
4513-A	12		4EMU009	1	Change giver (euro)
4513-A	12		4EMU026	1	Change giver (SEK - new coin)
4513-A	12		4EMU027	1	Change giver (GBP - new coin)
4513-A	13		5TVF079	1	Bottom front plate for change giver Zia Medium
4513-A	14		5KMS014	1	Clamp payment unit
4513-A	15		4BSC003	2	Sheet metal screw 2,9x13
4513-A	16		4MHS035	1	Lock with clip
4513-A	17		4MHS045	1	Key for lock 4MHS035
4513-A	18		5MDR494	1	Cover change giver unit Zia Medium
4513-A	19		6MOV047	1	Coin box Zia Medium
4513-A			6CKB508	1	MDB Adapter cable 0.1 m (ICEQ2 only)

- Part numbers marked with "SE" are Service parts Engineer stock
- Part numbers marked with "SW" are Service parts Warehouse stock
- Part numbers marked with "n/a" are Not Available as spare part
- De Jong Duke recommends to have service parts directly available on local or car stock.



					
Prepared for Coin Acceptor (9MDG013)	Prepared for Change giver (4EMU009)	Prepared for Change giver + Card reader / Bill acceptor	Blank	Prepared for Card reader / Bill acceptor	
Part number for complete housing for Small(T0) and Medium(T1) models: <i>with connection bracket item 23 but without the payment option itself (highlighted in green)</i>					
9MKA014	9MKA008	9MKA010	9MKA012	9MKA016	
Part number for replacement Front panel pre-assembled: <i>complete with items 16, 17, 18, 19 and 20 or 21 but without the payment option itself (highlighted in green)</i>					
9MDG049	9MDG050	9MDG051	9MDG052	9MDG053	
<i>Drawing</i>	<i>Pos</i>	<i>S</i>	<i>Part Nr</i>	<i>Qty</i>	<i>Spare Part Description</i>
			9MDG013		Coin acceptor EURO G13 including front plate wide (See drawing 4509 for more details)
			4EMU009		Change giver G46 EURO
4515-A	01		5MMS203	1	Mounting bracket
4515-A	02		6CKB509	1	MDB Adapter cable 1.6 m (ICEQ2 only)
4515-A	03		4BKM031	2	Cable clamp with plug
4515-A	04		4KDT009	1	Cable relief
4515-A	05		5MMS214	1	Back plate connections
4515-A	06		4BMV007	1	Thumb nut M4
4515-A	07		4BMZ011	4	Locking nut M4
4515-A	08		5MLG001	4	Bearing Ø6,9 x Ø10 x 2
4515-A	9a		6MOV048	1	Money tray for change giver (G46) <i>contains money tray (5KMS017) tray support (5MMS200) and item 9C</i>
4515-A	9b	SW	5KAF090	1	Money tray for coin acceptor (G13)
4515-A	9c		9MDG058	1	Money tray (Change giver) upgrade kit <i>with coin deflection lip (5TMP099), washer M4 (4BPR003) and nut (4BMZ003)</i>

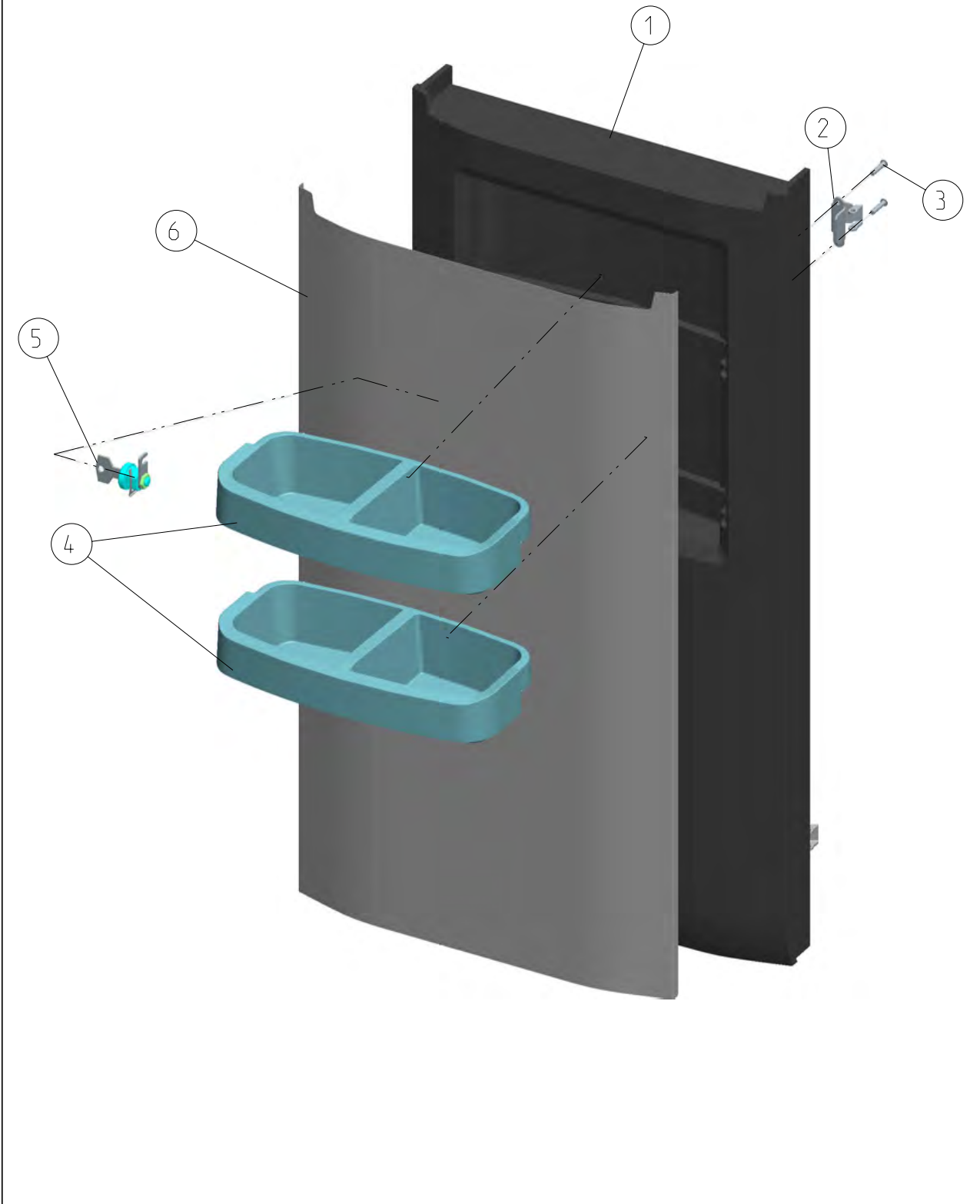


<i>Drawing</i>	<i>Pos</i>	<i>S</i>	<i>Part Nr</i>	<i>Qty</i>	<i>Spare Part Description</i>
4515-A	10		5MMS197 -RAL9005	1	Connection piece Nio (Left)
4515-A	11	SE	4BBK032	4	Bolt M4x12 with ring
4515-A	12		5MMS196 -RAL9005	1	Connection piece Nio (Right)
4515-A	13		4BBK039	3	Bolt M4x6 with lock washer (Torx)
4515-A	14		5MMS204	1	Bracket for changegiver
4515-A	15		4MHS047	1	Key for lock 4MHS044
4515-A	16		4MHS044	1	Lock with keys
4515-A	17		9HDR090	4	Sliding lock fasteners set
4515-A	18		5MHS057	2	Sliding lock plate
4515-A	19		5MHS056	1	Lock cam
4515-A	20		9MDG050	1	Front cover prepared for Changegiver <i>with items 16, 17, 18, 19</i>
4515-A	20		9MDG051	1	Front cover prepared for Change giver and bill acceptor <i>with items 16, 17, 18, 19</i>
4515-A	21		9MDG049	1	Front cover prepared for Coin acceptor <i>with items 16, 17, 18, 19</i>
4515-A	21		9MDG052	1	Front cover - Blank / not prepared <i>with items 16, 17, 18, 19</i>
4515-A	21		9MDG053	1	Front cover prepared for Card reader / Bill accep- tor <i>with items 16, 17, 18, 19</i>
4515-A	22		6MKA010	1	Lid
4515-A	23		5MMS205- RAL9005	1	Connection bracket
4515-A	24	SE	4BBK032	2	Bolt M4x12 with ring
4515-A	25		5MLG002	2	Bearing Ø6,9 x Ø15 x 1,7
4515-A	26		4BMZ011	2	Locking nut M4
4515-A	27		n/a	1	Return mechanism assembly
4515-A	28		5KMS018	1	Alternative upright coin slot
4515-A	29		n/a	1	Coin slot
4515-A	30		5TAB101	1	Sticker for unit with change giver
4515-A	31		6MDG038	1	Return button assembly
4515-A	32		n/a	1	Lid for unit with change giver

- Part numbers marked with "SE" are Service parts Engineer stock
- Part numbers marked with "SW" are Service parts Warehouse stock
- Part numbers marked with "n/a" are Not Available as spare part
- De Jong Duke recommends to have service parts directly available on local or car stock.



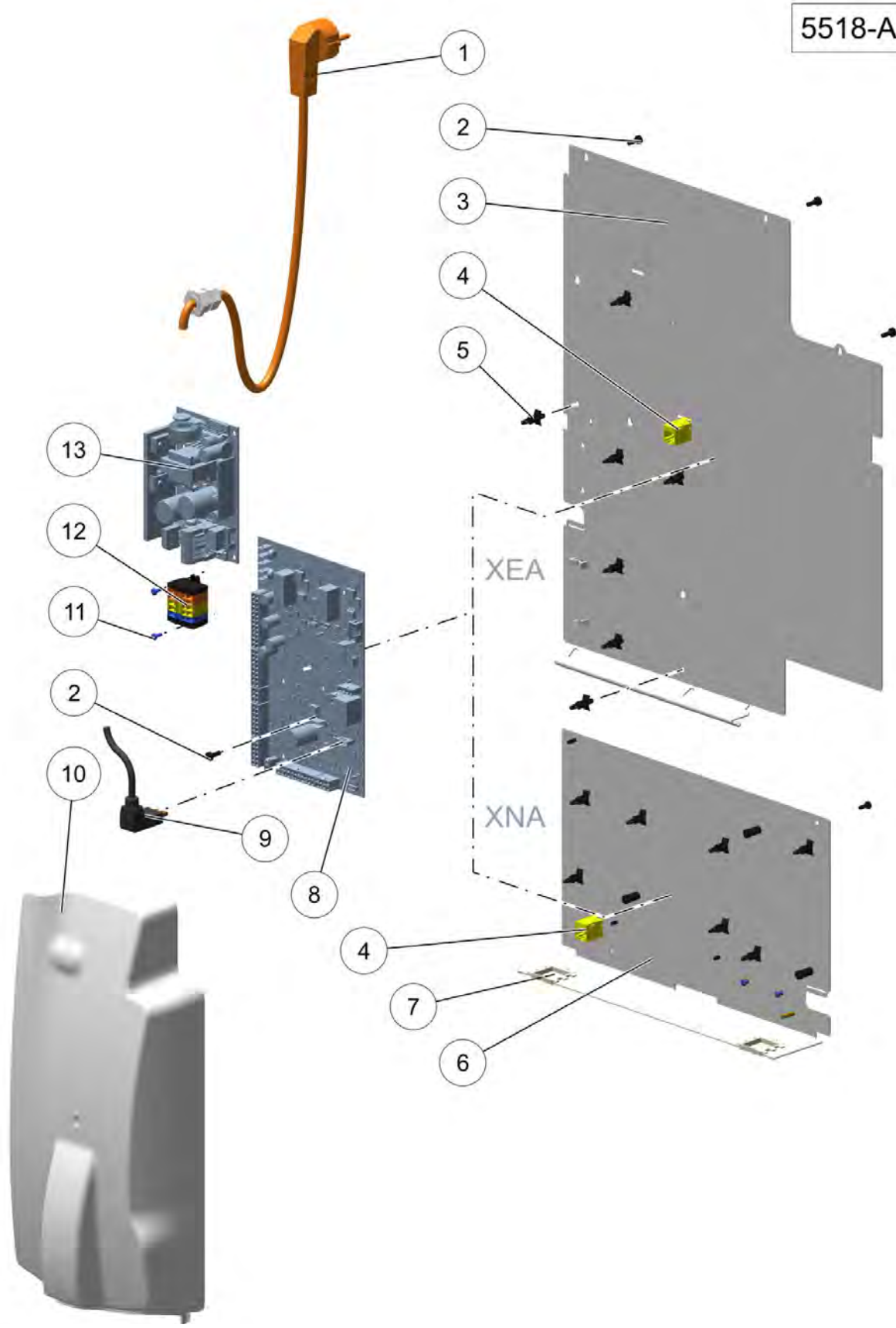
5007-A



<i>Drawing</i>	<i>Pos</i>	<i>S</i>	<i>Part Nr</i>	<i>Qty</i>	<i>Spare Part Description</i>
5007-A	01		5KDR051 -11194		Door for Base Cabinet Medium (Virtu)
5007-A	01		5KDR051 -S139		Door for Base Cabinet Medium (Zia)
5007-A	02		5MHS012		Door hinge
5007-A	03		4BSC037		Screw 4x12
5007-A	04		5KDR052		Condimental tray base cabinet
5007-A	05		9HDR078		Lock with clip and key <i>note: key NOT identical to 4MHS026 key</i>
5007-A	05		4MHS042		Key for door lock 9HDR078 <i>key# 25401</i>
5007-A	06		9HDR060		Cover plate base medium (Virtu) + adhesive strip
5007-A	06		9HDR088		Cover plate base medium (Zia) + adhesive strip
HISTORY					
5007-A	05		4MHS026		Lock with clip <i>Replaced by 9HDR078 from S/N 2016.06.xxxx.001</i>

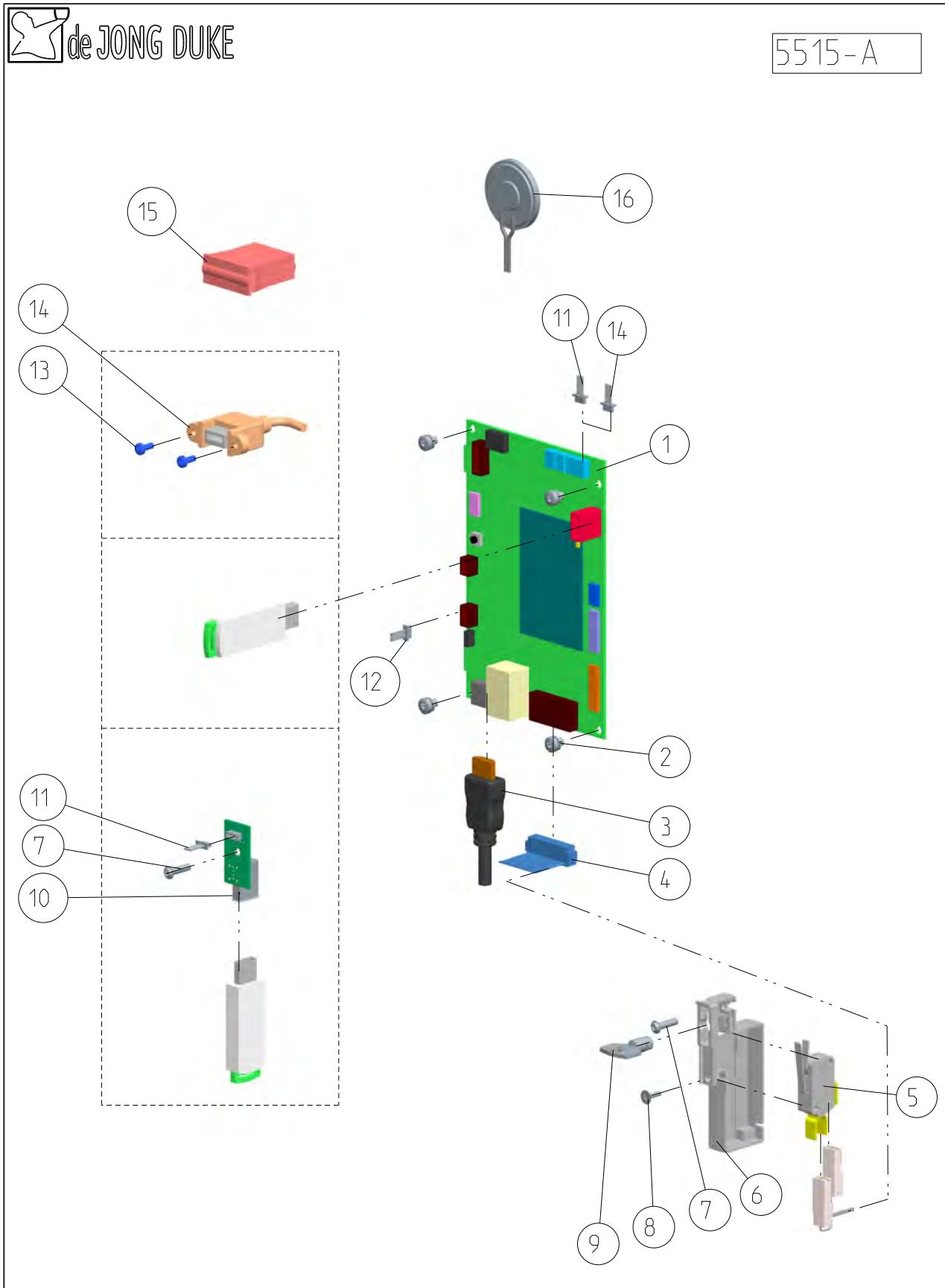
- Part numbers marked with "SE" are Service parts Engineer stock
- Part numbers marked with "SW" are Service parts Warehouse stock
- Part numbers marked with "n/a" are Not Available as spare part
- De Jong Duke advices to have service parts directly available on local stock or car stock.

5518-A

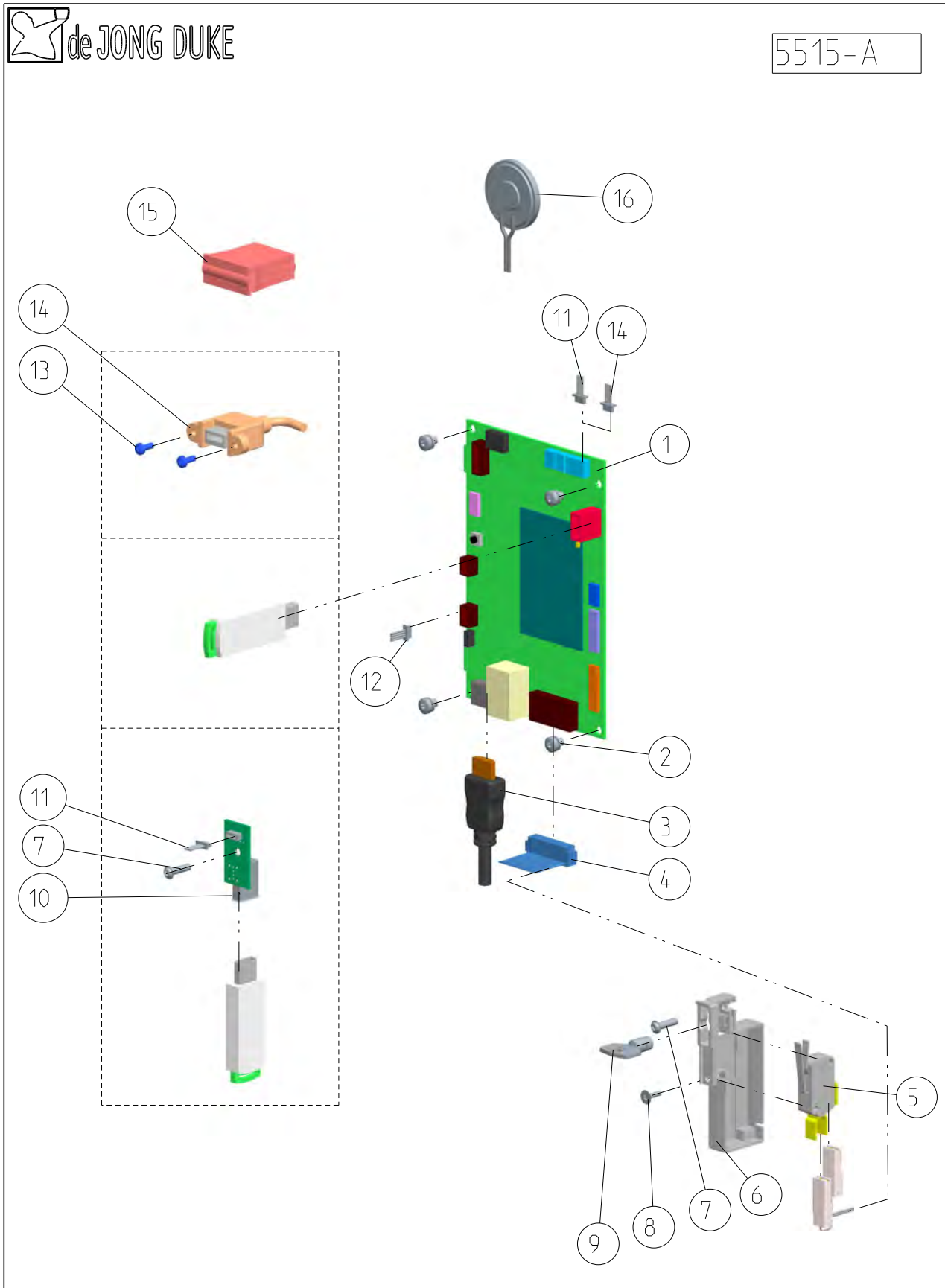


<i>Drawing</i>	<i>Pos</i>	<i>S</i>	<i>Part Nr</i>	<i>Qty</i>	<i>Spare Part Description</i>
5518-A	01		6CKB130	1	Power cord EU with strain relief / cable gland
5518-A	01		6CKB136	1	Power cord UK
5518-A	01		6CKB137	1	Power cord USA 110VAC UL
5518-A	02		4BBK032	2	Bolt M4x12 with lock washer
5518-A	03	SE	5MBH492	1	Electronics back panel XEA
5518-A	04	SE	4EMK022	1	RJ45 Network connector panel mount
5518-A	05		4BAF015	7	PCB support
5518-A	06	SE	5MBH465	1	Electronics back panel XNA
5518-A	07		4BKM063	2	Cable clamp plate rim with closure 27mm
5518-A	08	SW	5EPR156	1	IOB MoVeC ICEQ with 34 outputs (CoExXL) (For 2 heating elements)
5518-A	09	SE	6CKB497	1	Movec ICEq-Cable IOB to Controller board (HDMI)
5518-A	10	SE	5KAE006	1	Electronics cover (XEA only)
5518-A	11		4BBK028	2	Bolt M3x8
5518-A	12		6CCT002	1	Connection block XNA
5518-A	13	SW	5EPR076	1	Power supply 230VAC - 24VDC / 120W
5518-A	13	SW	5EPR077	1	Power supply 120VAC - 24VDC / 120W
HISTORY					

- Part numbers marked with "SE" are Service parts Engineer stock
- Part numbers marked with "SW" are Service parts Warehouse stock
- Part numbers marked with "n/a" are Not Available as spare part
- De Jong Duke recommends to have service parts available on local (SW) or car stock (SE).

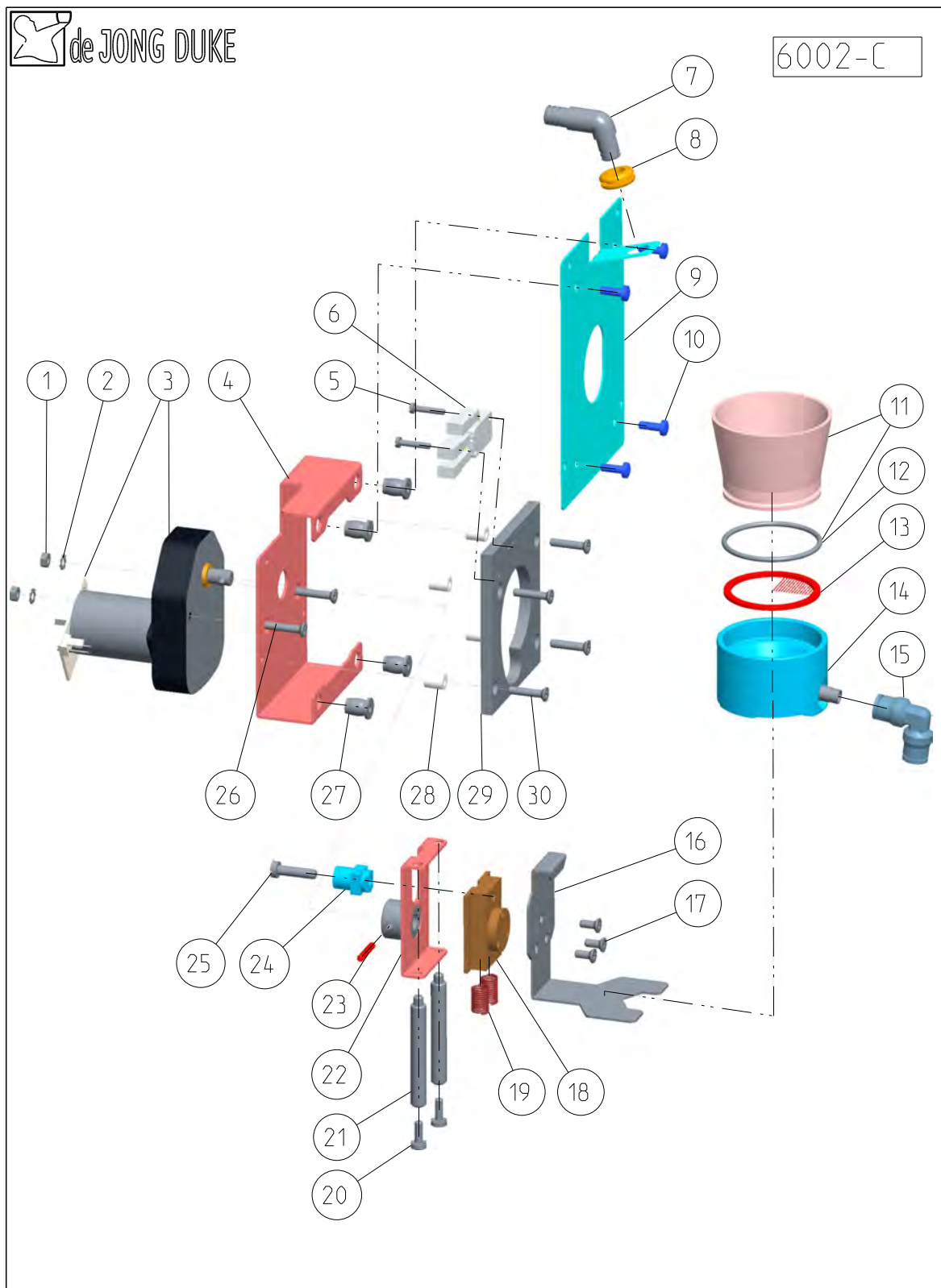


Drawing	Pos	S	Part Nr	Qty	Spare Part Description
					Nio
5515-A	01	SW	9EPR016	1	MoVeC ICEQ2 controller board, Nio <i>Standard</i>
5515-A	01	SW	9EPR022	1	MoVeC ICEQ2 controller board, Nio <i>Customer specific</i>
					V'eco
5515-A	01	SW	9EPR012	1	MoVeC ICEQ2 controller board, V'eco (800x600) <i>Standard</i>
					Varea
5515-A	01	SW	9EPR020	1	MoVeC ICEQ2 controller board, Varea (800x600) <i>Standard</i>
					Virtu
5515-A	01	SW	9EPR012	1	MoVeC ICEQ2 controller board, Virtu (800x600) <i>Standard</i>
5515-A	01		9EPR019	1	MoVeC ICEQ2 controller board, Virtu (800x600) <i>Customer specific</i>
5515-A	01		9EPR020	1	MoVeC ICEQ2 controller board, Virtu (800x600) <i>Customer specific</i>
5515-A	01	SW	9EPR010	1	MoVeC ICEQ2 controller board, Virtu (640x480) <i>Customer specific for 6CDP009 display</i>
5515-A	01	SW	9EPR011	1	MoVeC ICEQ2 controller board, Virtu (640x480) <i>Customer specific for 6CDP011 display</i>
5515-A	01	SW	9EPR018	1	MoVeC ICEQ2 controller board, Virtu (640x480) <i>Standard</i>
					Zia
5515-A	01	SW	9EPR015	1	MoVeC ICEQ2 controller board Zia (800x600) <i>Standard</i>
5515-A	01	SW	9EPR017	1	MoVeC ICEQ2 controller board Zia (800x600) <i>Customer specific</i>
5515-A	01	SW	9EPR014	1	MoVeC ICEQ2 controller board, Zia (640x480)
					SiroTouch
5515-A	01	SW	9EPR013	1	MoVeC ICEQ2 controller board, Siro Touch
					Edge
5515-A	01	SW	9EPR021	1	MoVeC ICEQ2 controller board, Edge
					Blu
5515-A	01	SW	9EPR023	1	MoVeC ICEQ2 controller board, Blu
5515-A	02		4BBK039	4	Bolt with lock washer M4x6
5515-A	03	SW	6CKB497	1	HDMI cable IOB-MoVeC ICEQ Nio
5515-A	03	SW	6CKB426	1	Flatcable IOB-MoVeC ICEQ <i>for Virtu/V'eco/Zia/Siro Touch</i>
5515-A	04	SW	6CKB490	1	Cable loom for sensors Nio
5515-A	04	SW	6CKB423	1	Cable loom for sensors Virtu/V'eco Small
5515-A	04	SW	6CKB432	1	Cable loom for sensors Virtu Medium

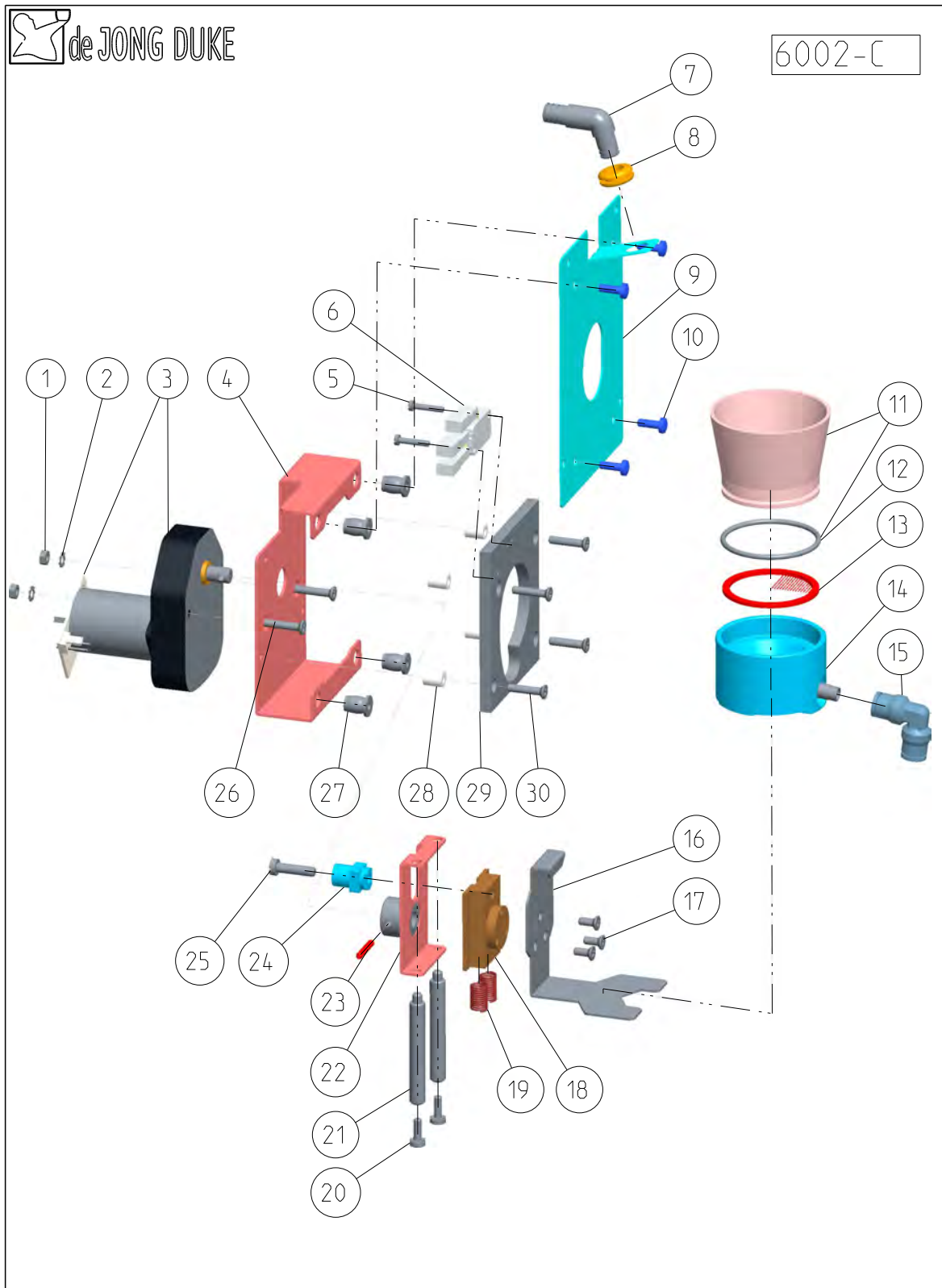


<i>Drawing</i>	<i>Pos</i>	<i>S</i>	<i>Part Nr</i>	<i>Qty</i>	<i>Spare Part Description</i>
5515-A	04		6CKB477	1	Cable loom for sensors Siro Touch Small
5515-A	04		6CKB478	1	Cable loom for sensors Siro Touch Medium
5515-A	04	SW	6CKB481	1	Cable loom for sensors Zia Small
5515-A	04	SW	6CKB517	1	Cable loom for sensors Zia Medium
5515-A	04	SW	6CKB524	1	Cable loom for sensors Edge Small
5515-A	05	SW	4ESK048	1	Door micro switch ICEQ
5515-A	06		5KDS038	1	Door micro switch ICEQ mounting
5515-A	07		4BSC036	1	Screw torx 3.5x13.5
5515-A	08		4BSC052	1	Screw 3,5x10 Tx15
5515-A	09	SE	5KDS036	1	Service key
5515-A	10		5EPR143	1	USB print Nio
5515-A	11		6CKB501	1	USB extension cable Nio
5515-A	12		6CKB508	1	MDB adapter cable ICEQ2 0,1m
5515-A	12		6CKB509	1	MDB extension cable for pay system ICEQ2 1,6m
5515-A	13		4BBK028	2	Bolt M3x8
5515-A	14		6CKB429	1	USB extension cable Virtu/V'eco/Zia
5515-A	15		5ETL001	1	Counter Mechanical 12V
5515-A	16		4ELP001	1	Speaker
5515-A		SW	5EPR125		IRDA board MoVeC ICEQ
5515-A		SW	6CKB454		IRDA cable MoVeC ICEQ
5515-A			5EEP004		USB stick with Virtu print

- Part numbers marked with "SE" are Service parts Engineer stock
- Part numbers marked with "SW" are Service parts Warehouse stock
- Part numbers marked with "n/a" are Not Available as spare part
- De Jong Duke recommends to have service parts available locally (SW) or as car stock (SE).



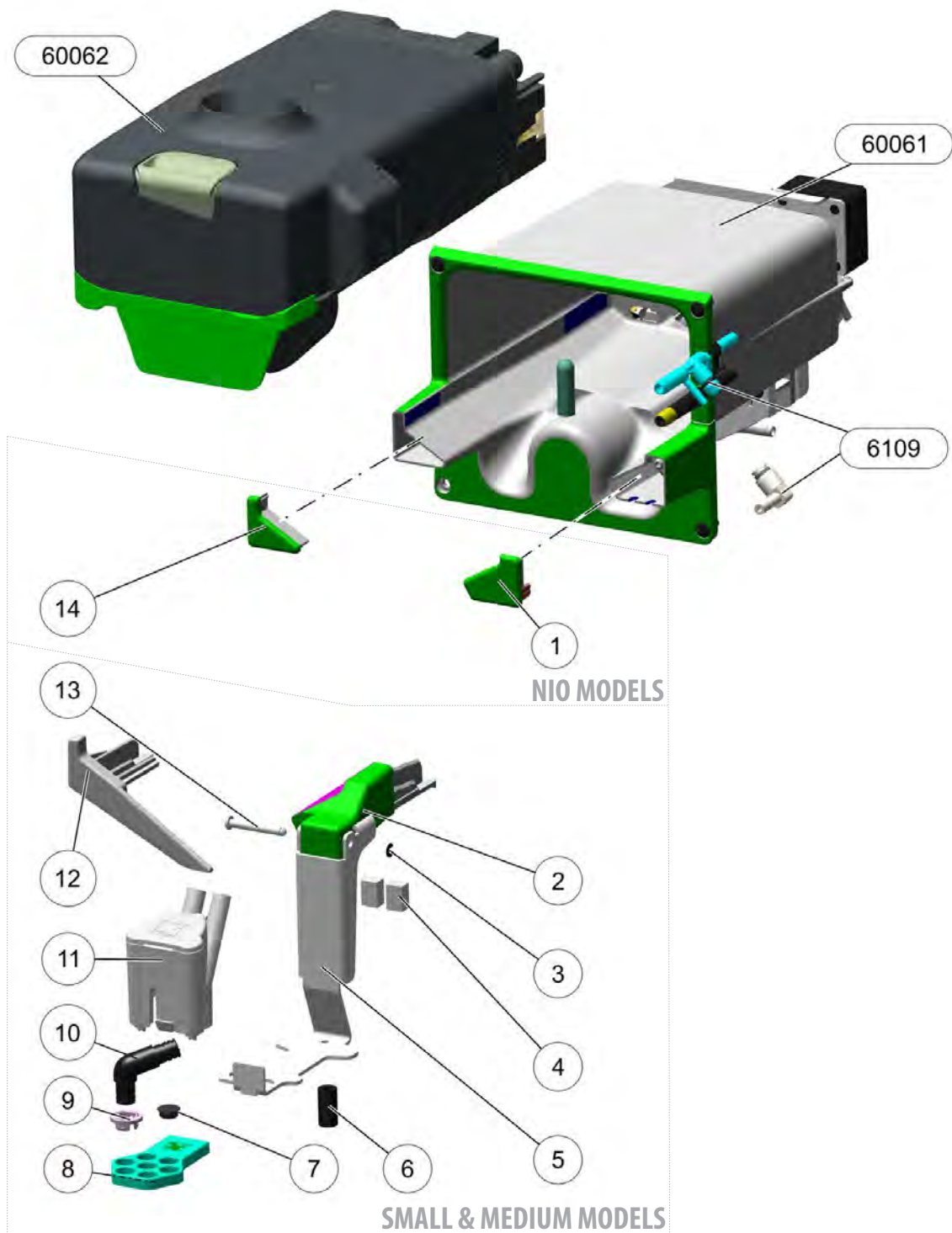
<i>Drawing</i>	<i>Pos</i>	<i>S</i>	<i>Part Nr</i>	<i>Qty</i>	<i>Spare Part Description</i>
6002-C		SE	6ZBR072		Tea brewer chamber assembly with 4.2 mm outlet <i>with items 11, 12, 13, 14, 15</i>
6002-C		SW	6ZBR066		Tea brewer assembly with 4.2 mm outlet <i>with items 1 ~ 30</i>
6002-C	01		4BMZ003	2	Nut M4
6002-C	02		4BVR002	2	Star washer M4
6002-C	03	SW	6ZBR093	1	Motor 24VDC 10RPM <i>Consists of 5EMT011 (motor) and 4EPR013 (PCB)</i>
6002-C	04		5MBR047	1	Frame tea brewer
6002-C	05		4BBC007	2	Bolt M3x16
6002-C	06	SW	BR8	1	Micro switch
6002-C	07	SE	5KVL022	1	Outlet knee 107 grd d=10 2x
6002-C	08		4RDT010	1	Cable grommet 10x12x18 for 2mm plate
6002-C	09		5MBR046- RAL9005	1	Cover tea brewer module
6002-C	10		4BBK012	4	Bolt M4x16
6002-C	11		6ZBR075	1	Tea brewer bowl, closed
6002-C	12	SE	4ROR008	1	O-Ring 45.69 x 2.62
6002-C	13	SE	5RVA010	1	Nylon strainer tea brewer
6002-C	14		6ZBR067	1	Tea brewer lower part with 4.2 mm outlet
6002-C	15		4MPF056	1	Insert socket 90 degrees 8-8
6002-C	16		5MBR048	1	Holder for tea brewer
6002-C	17		4BBK011	3	Bolt M4x10
6002-C	18		5KBR008	1	Tea brewer guide block
6002-C	19		BR118	1	Pressure spring
6002-C	20	SE	4BBK032	2	Bolt M4x12
6002-C	21		5MDF005	2	Guide shaft 8x60mm
6002-C	22		6ZBR016	1	motor plate tea brewer
6002-C	23		4BPN023	1	Spring pin
6002-C	24		5KBR022	1	Notch tea brewer
6002-C	25		4BBC030	1	Bolt M5x20
6002-C	26		4BBV017	2	Bolt M4x25
6002-C	27		4BMV006	4	Blind nut M4x8x11.4
6002-C	28		4KAB019	4	Distance holder
6002-C	29		5KBR007	1	Plate Tea brewer
6002-C	30		4BBV047	4	Bolt M4 x 18



<i>Drawing</i>	<i>Pos</i>	<i>S</i>	<i>Part Nr</i>	<i>Qty</i>	<i>Spare Part Description</i>
HISTORY					
6002-B		SW	6ZBR072		Tea brewer chamber assembly with 5.5mm outlet <i>discontinued from 2012.02.xxxxx.xxx</i>
6002-B		SW	6ZBR066		Tea brewer assembly with 5.5 mm outlet <i>discontinued from 2012.02.xxxxx.xxx</i>
6002-B	14		6ZBR067	1	Tea brewer lower part with 5.5 mm outlet <i>discontinued from S/N 2012.02.xxxxx.xxx</i>
6002-B	23		BR114	1	Spring pin <i>Replaced by 4BPR020</i>
6002-B	23		4BPN020	1	Spring pin <i>Replaced by 4BPR023 from S/N 201228.xxxxx.xxx</i>
6002-B	26		4BBK011	2	Bolt M4x10 <i>Replaced by 4BBV017 from S/N 201728.xxxxx.xxx</i>

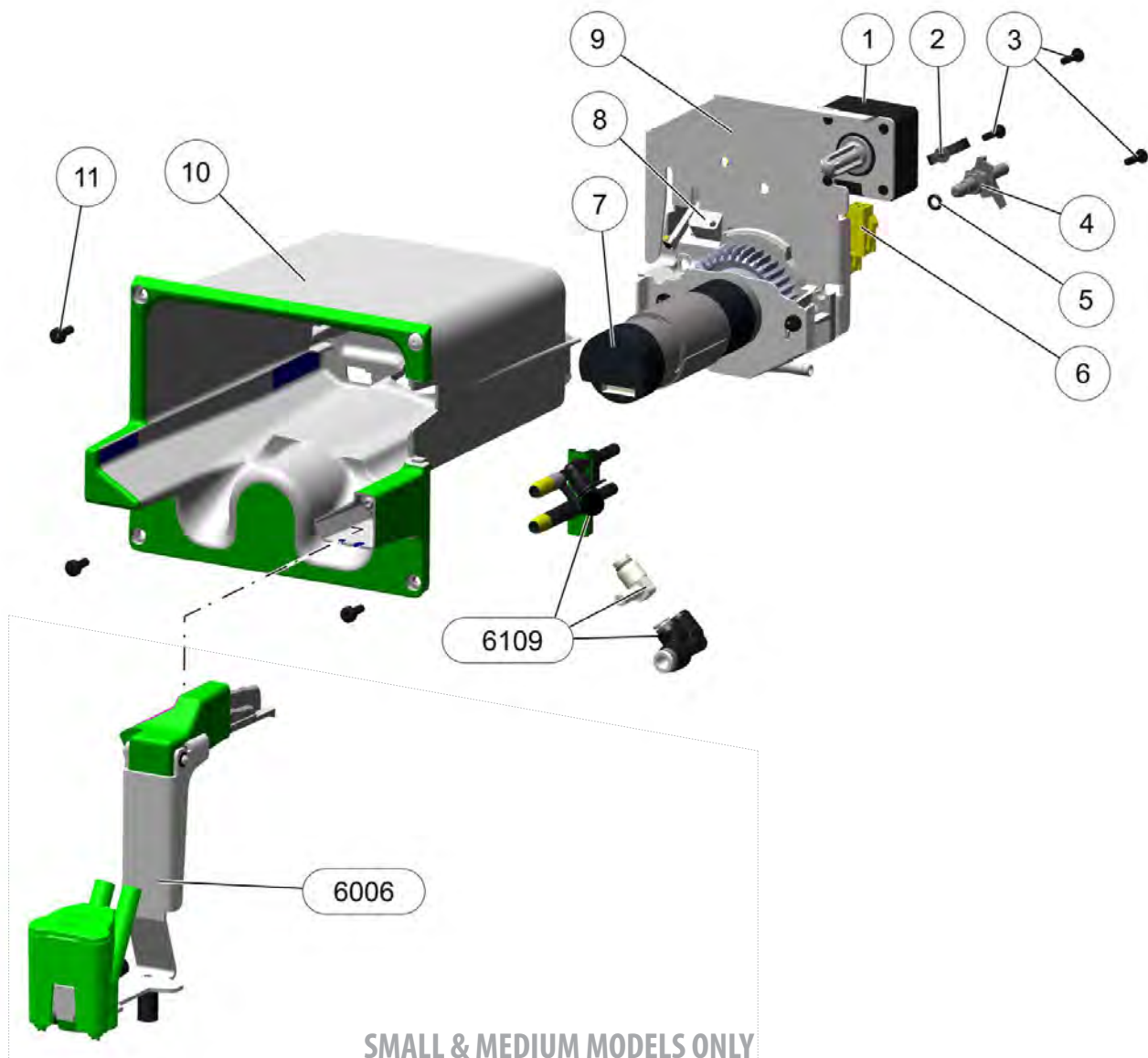
- Part numbers marked with "SE" are Service parts Engineer stock
- Part numbers marked with "SW" are Service parts Warehouse stock
- Part numbers marked with "n/a" are Not Available as spare part
- De Jong Duke recommends to have service parts directly available on local or car stock.

6006-A



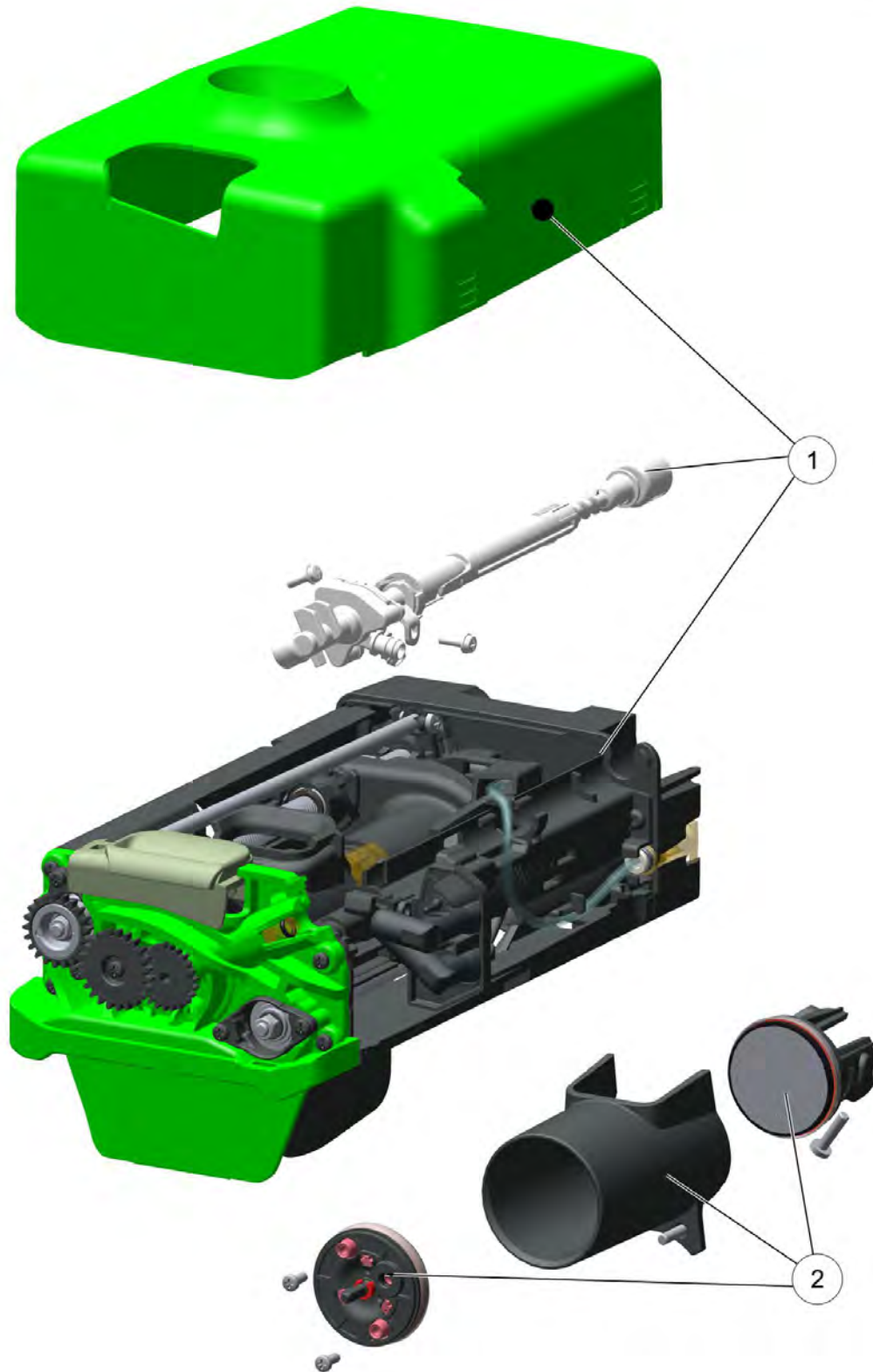
<i>Drawing</i>	<i>Pos</i>	<i>S</i>	<i>Part Nr</i>	<i>Qty</i>	<i>Spare Part Description</i>
					REFERENCES
6109					Refer to drawing: 6109 CoEx XL outlets
60061					Refer to drawing: 60061 CoEx XL mounting frame
60062					Refer to drawing: 60062 CoEx XL brewer
6006-A	01		5KBR144	1	Plug frame right (Nio only)
6006-A	02		5KBR143	1	Mounting Adapter Dispenser Arm
6006-A	03		4BBG020	1	Retaining washer 3.2mm (stainless steel)
6006-A	04		4MMG001	2	Magnet 12mm
6006-A	05		5MVL241	1	Outlet Arm
6006-A	06		4RDS003	1	Impact buffer
6006-A	07		4KVL016	1	Outlet stop
6006-A	08		5KVL035	1	Outlet holder CoEx (XL)
6006-A	09		5KVL041	1	Clamp ring outlet pipe
6006-A	10		5KVL022	1	Outlet knee 107 grd d=10
6006-A	11		5KVL069	1	Outlet Shute CoEx XL with splitter
6006-A	12		5KBR145	1	Coffee Puck Guide
6006-A	13		4MVL242	1	Outlet Arm hinge pin
6006-A	14		5KBR146	1	Plug frame left (Nio only)

60061-A



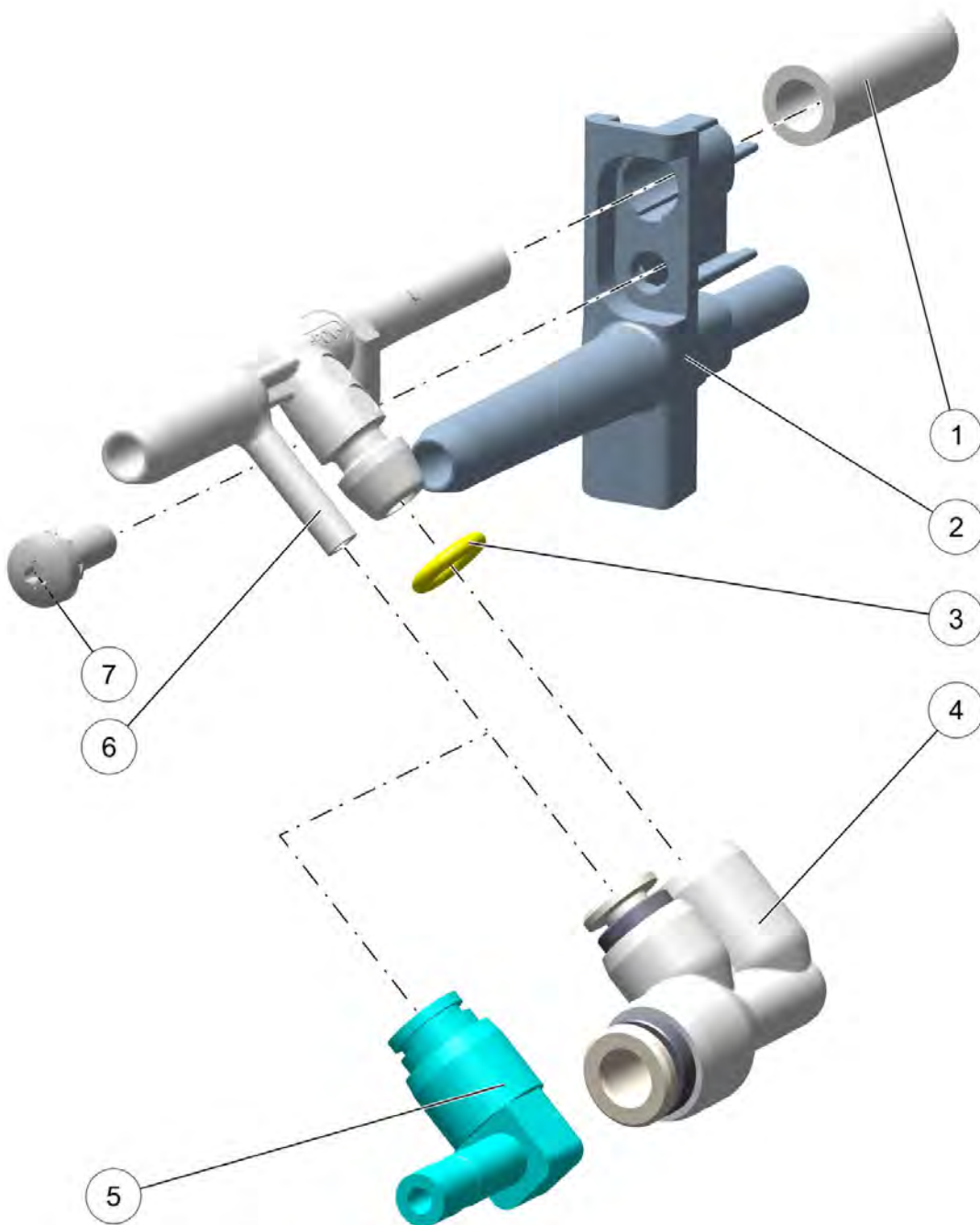
<i>Drawing</i>	<i>Pos</i>	<i>S</i>	<i>Part Nr</i>	<i>Qty</i>	<i>Spare Part Description</i>
					REFERENCES
6006					Refer to drawing: 6006 CoEx XL Brewer Overview
6109					Refer to drawing: 6109 CoEx XL outlets
					SETS
60061-A			6ZBR116	1	CoEx XL Mounting Frame assy complete with motors <i>with items 1-6, 7, 8, 9</i>
					PARTS
60061-A	01	1	4EMT037	1	Flow regulator stepper motor
60061-A	02		4BKM068	1	Cable clamp adjustable
60061-A	03		4BSC036	3	Screw torx 3.5x13.5
60061-A	04		9VUL019	1	Water Coupling <i>including O-ring (pos 5)</i>
60061-A	05	1	4ROR047	1	O-ring water inlet CoEx XL Brewer
60061-A	06	1	6CKB535	1	Cable loom CoEx XL
60061-A	07	1	5EMT013	1	Brewer Motor CoEx XL
60061-A	08	1	4ESK055	1	micro switch (brewer present)
60061-A	09	1	5MBR083	1	Back plate
60061-A	10		5KBR117	1	CoEx XL brewer bracket
60061-A	11		4BBK032	1	Bolt with lock washer M4x12

60062-A



<i>Drawing</i>	<i>Pos</i>	<i>S</i>	<i>Part Nr</i>	<i>Qty</i>	<i>Spare Part Description</i>
					SETS
60062-A	01		6ZBR106	1	CoEx XL brewer complete
60062-A	02		9ZBR065	1	CoEx XL service spare part set

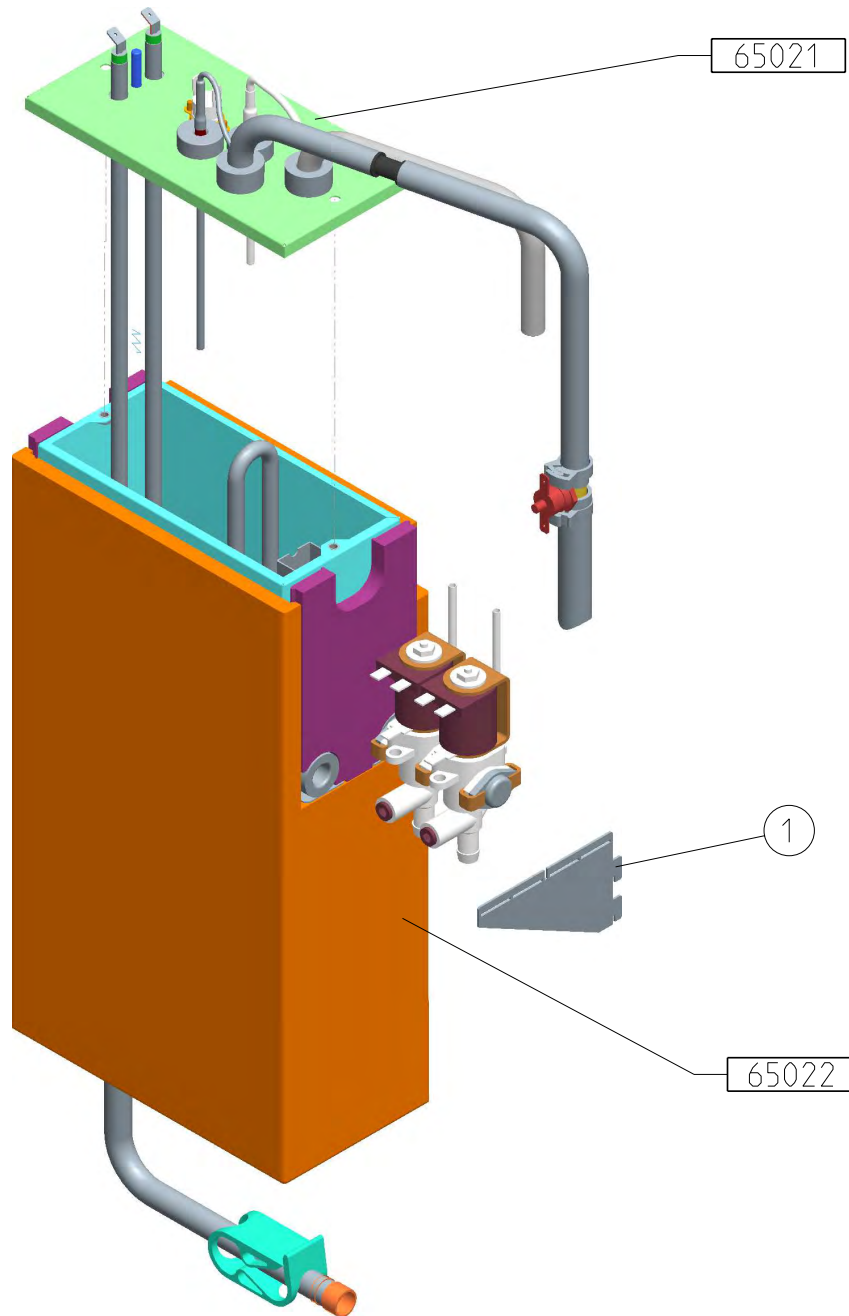
6109-A



<i>Drawing</i>	<i>Pos</i>	<i>S</i>	<i>Part Nr</i>	<i>Qty</i>	<i>Spare Part Description</i>
					SETS
6109-A			TBD	1	Drain + Coffee Outlet <i>with items 01, 02, 05, 06</i>
					PARTS
6109-A	01		4RDS004	1	Add-on water connector cap
6109-A	02		5KBR142	1	Drain outlet adapter
6109-A	03		4ROR041	1	O-ring 6,07x1,78
6109-A	04		6VDG004	1	Add-on outlet coupling
6109-A	05		4KPF053	1	Quick connection PPSU L pipe4-sl6
6109-A	06		5KBR121	1	Coffee outlet adapter

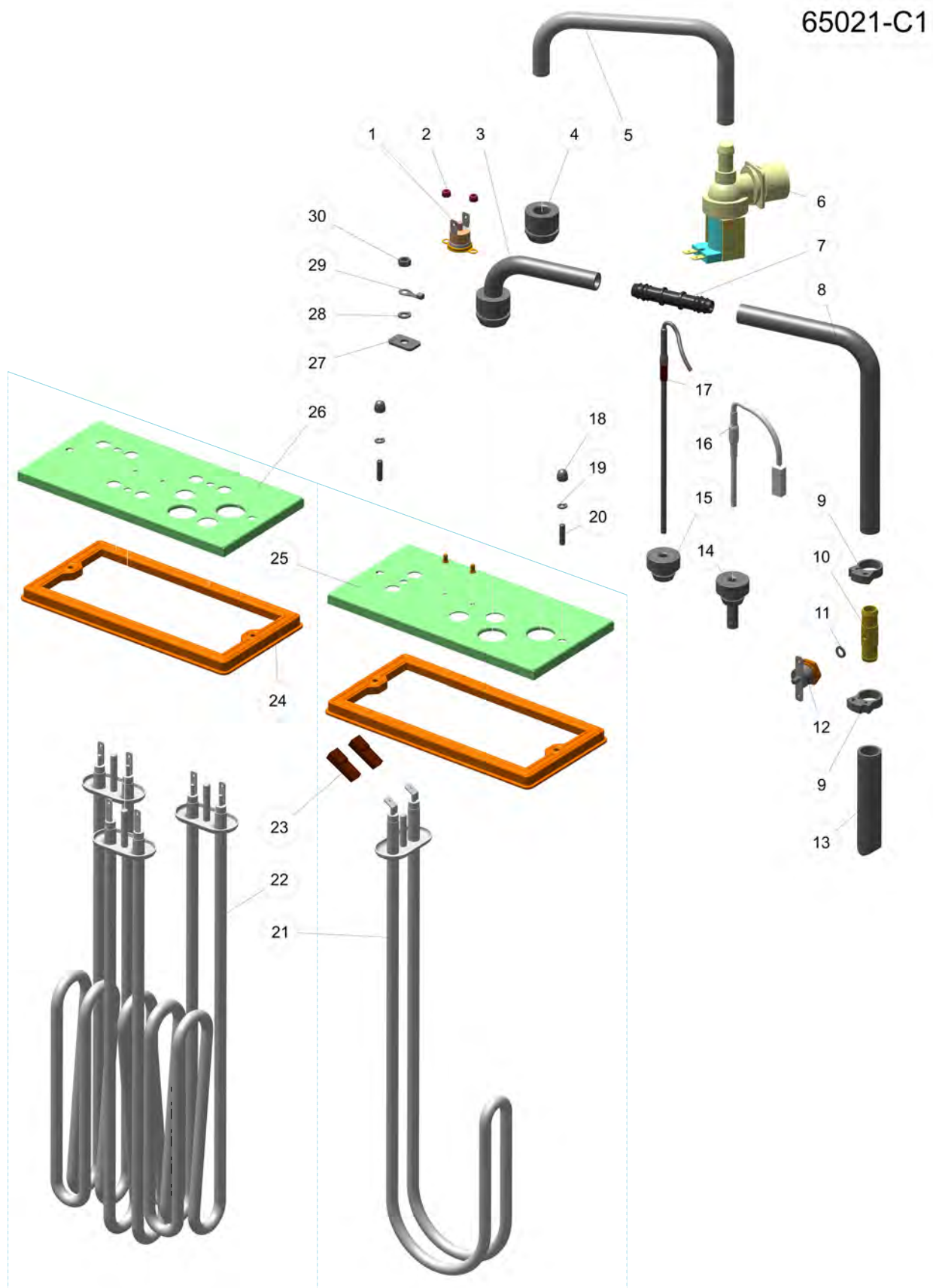


6502-C



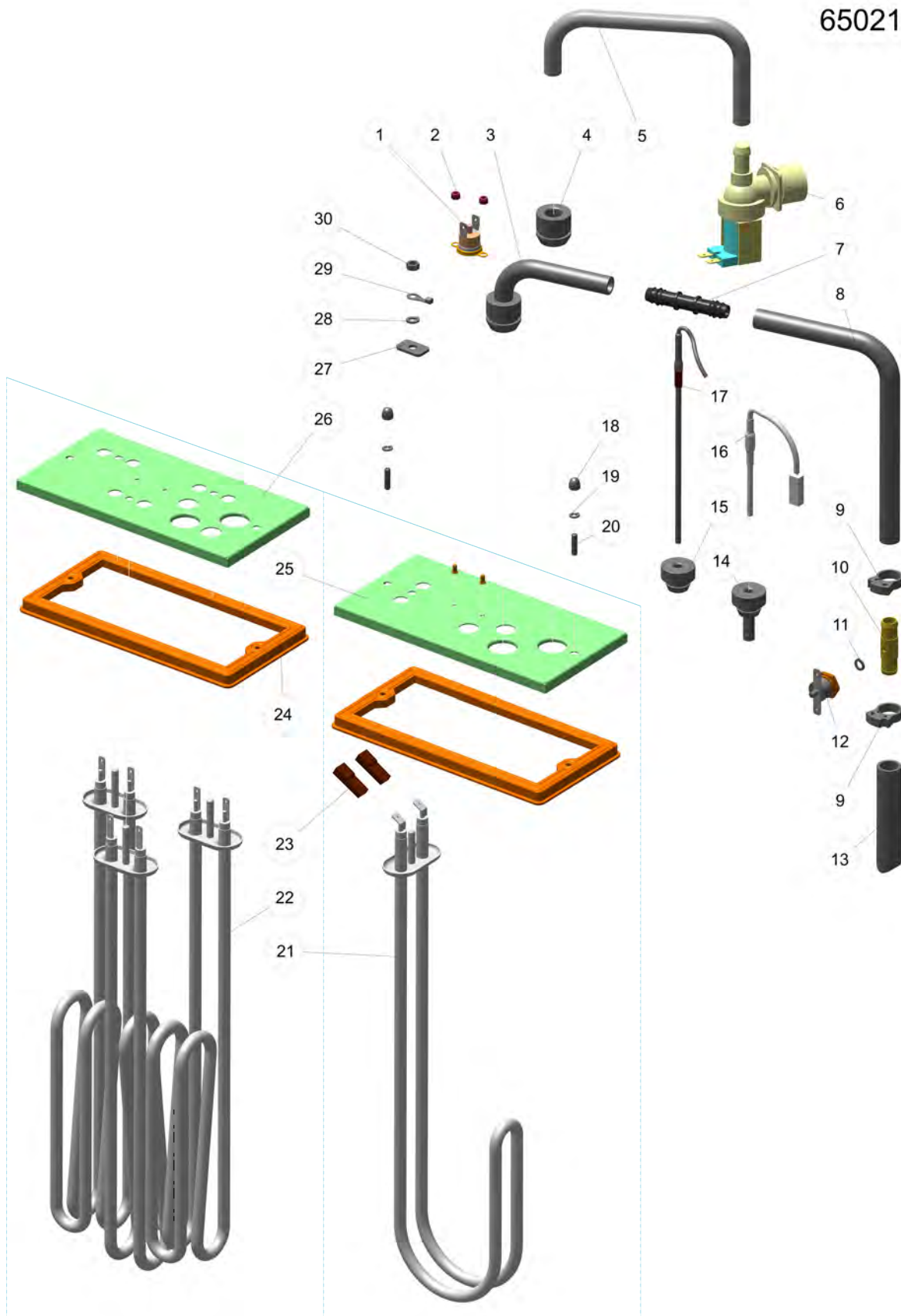
<i>Drawing</i>	<i>Pos</i>	<i>S</i>	<i>Part Nr</i>	<i>Qty</i>	<i>Spare Part Description</i>
65021					Refer to drawing 65021
65022					Refer to drawing 65022
					Open Boiler Cover <i>without tubes and outlet valves - see drawing 65021 for more details</i>
65021		SW	6VBL107		Open Boiler Cover Assembly 1x 2250W 230V AC
65021			6VBL105		Open Boiler Cover Assembly 3x 3000W 230V AC
65021			6VBL110		Open Boiler Cover Assembly 1x 1200W 110V AC
					Complete (Open Boiler Base + Boiler Cover) <i>without tubes and outlet valves - see drawing 65021 for more details</i>
65021		SW	6VBL108		Open Boiler Assembly 1x 2250W 230V
65021			6VBL111		Open Boiler Assembly 1x 1200W 110V AC
6502-C	01		5MVL053	1	Plate for outlet valves

- Part numbers marked with "SE" are Service parts Engineer stock
- Part numbers marked with "SW" are Service parts Warehouse stock
- Part numbers marked with "n/a" are Not Available as spare part
- De Jong Duke recommends to have service parts available on local (SW) or car (SE) stock.



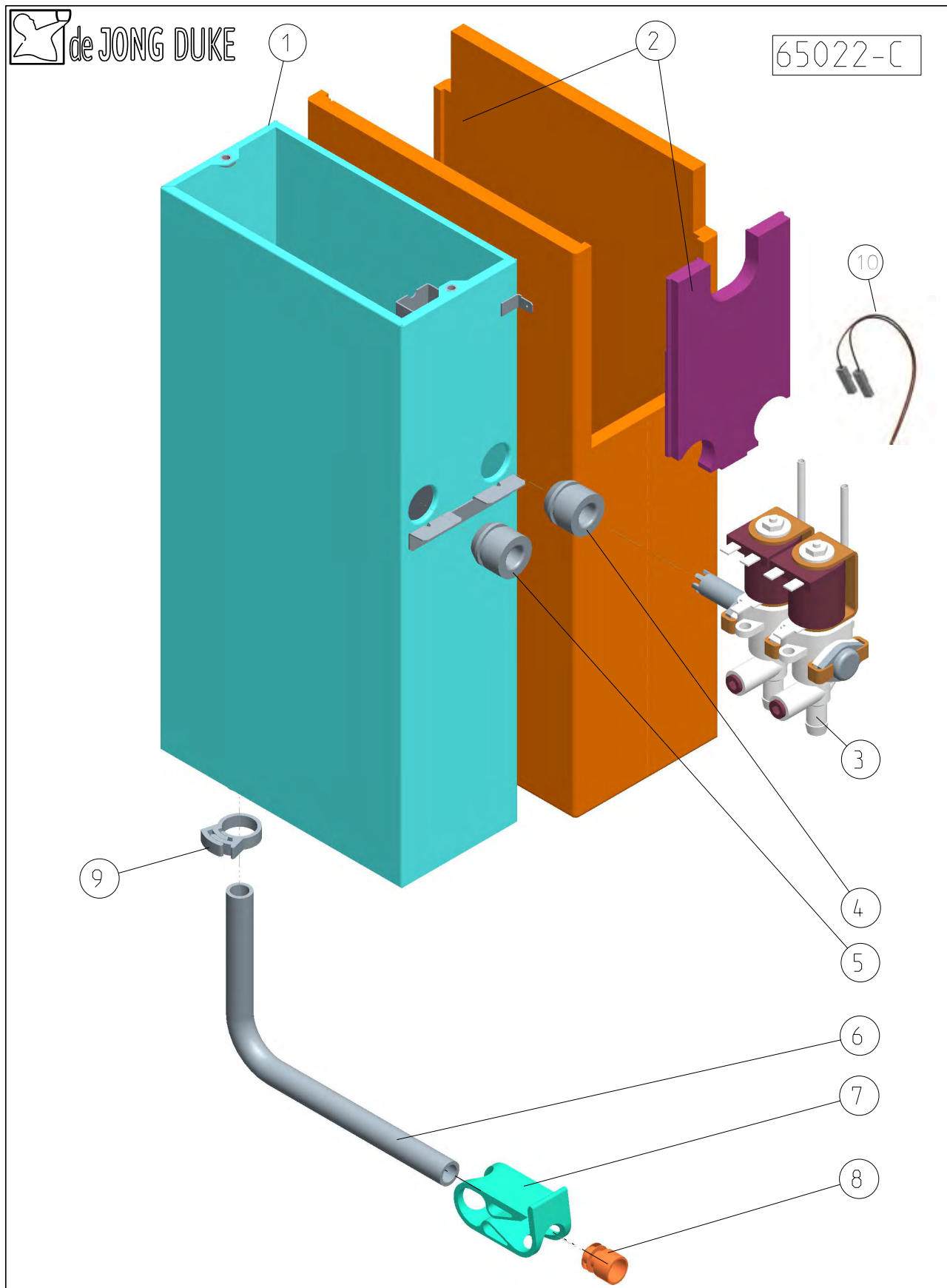
<i>Drawing</i>	<i>Pos</i>	<i>S</i>	<i>Part Nr</i>	<i>Qty</i>	<i>Spare Part Description</i>
65021-C1		SW	6VUL050	1	Clixon Assembly (9FEC) <i>with items 12,13,23</i>
65021-C1		SW	6VUL060	1	Clixon Assembly <i>with items 12,13,23</i>
					Open Boiler Cover
65021-C1		SW	6VBL107		Open Boiler Cover Assembly 1x 2250W 230V AC <i>with items 01, 02, 04, 15-17, 21(1x5EVW002), 23 (6CKB458), 25, 27-29</i>
65021-C1			6VBL105		Open Boiler Cover Assembly 3x 3000W 230V AC <i>with items 01, 02, 04, 15-20, 22(3x5EVW013), 23(6CKB459),24 ,26-29</i>
65021-C1			6VBL110		Open Boiler Cover Assembly 1x 1200W 110V AC <i>with items 01, 02, 04, 15-17, 21(1x5EVW005), 25, 27-29</i>
					Open Boiler Assembly Complete
65021-C1		SW	6VBL108		Open Boiler Assembly 1x 2250W 230V <i>contains assembly 6VBL107 (see above), 6VBL102 (see drawing 65022 pos 01) and items 18-20, 24</i>
65021-C1			6VBL111		Open Boiler Assembly 1x 1200W 110V AC <i>contains assembly 6VBL110 (see above), 6VBL102 (see drawing 65022 pos 01) and items 18-20, 24</i>
65021-C1	01	SW	4EBV017	1	Temperature safety 110C (clixon)
65021-C1	02		4BMZ043	2	Nut lock M3
65021-C1	03	SW	5RDT006	1	Tube overflow
65021-C1	04	SE	5RDT004	1	Open fitting stainless-steel-boiler
65021-C1	05		5MVL151	1	Inlet pipe boiler 130mm
65021-C1	06		4EMV070	1	Inlet valve single outlet 24VDC with backflow protection (9INB,9FND)
65021-C1	06		4EMV072	1	Inlet valve single outlet 24VDC 5 Litre (9INB 38xx models)
65021-C1	07		4KVL014	1	Tube connection 12-12
65021-C1	08		XF50A		Supply hose
65021-C1	09		4BKM022	1	Hose Clamp Water Tank Inlet d=13.5-15
65021-C1	10		5MVL148	1	Clixon pipe
65021-C1	10		5KVL024 / 5MVL011	1	Clixon pipe (9FEC) - upper part - plastic - lower part - metal (brass)
65021-C1	11		4BVR010	1	Spring washer M5
65021-C1	12	SW	B52	1	Clixon Steam Protection 90 Celcius
65021-C1	13		XF50A		Supply hose
65021-C1	14	SW	5RDT003	1	Stopfitting sensor level probe
65021-C1	15	SW	5RDT009	1	Stopfitting sensor boiler
65021-C1	16	SE	5ESE010	1	Level probe open boiler
65021-C1	17	SE	5ESE009	1	Temperature sensor 140mm for open boiler
65021-C1	18		4BMZ023	2	Acorn nut M4 stainless steel

65021-C1



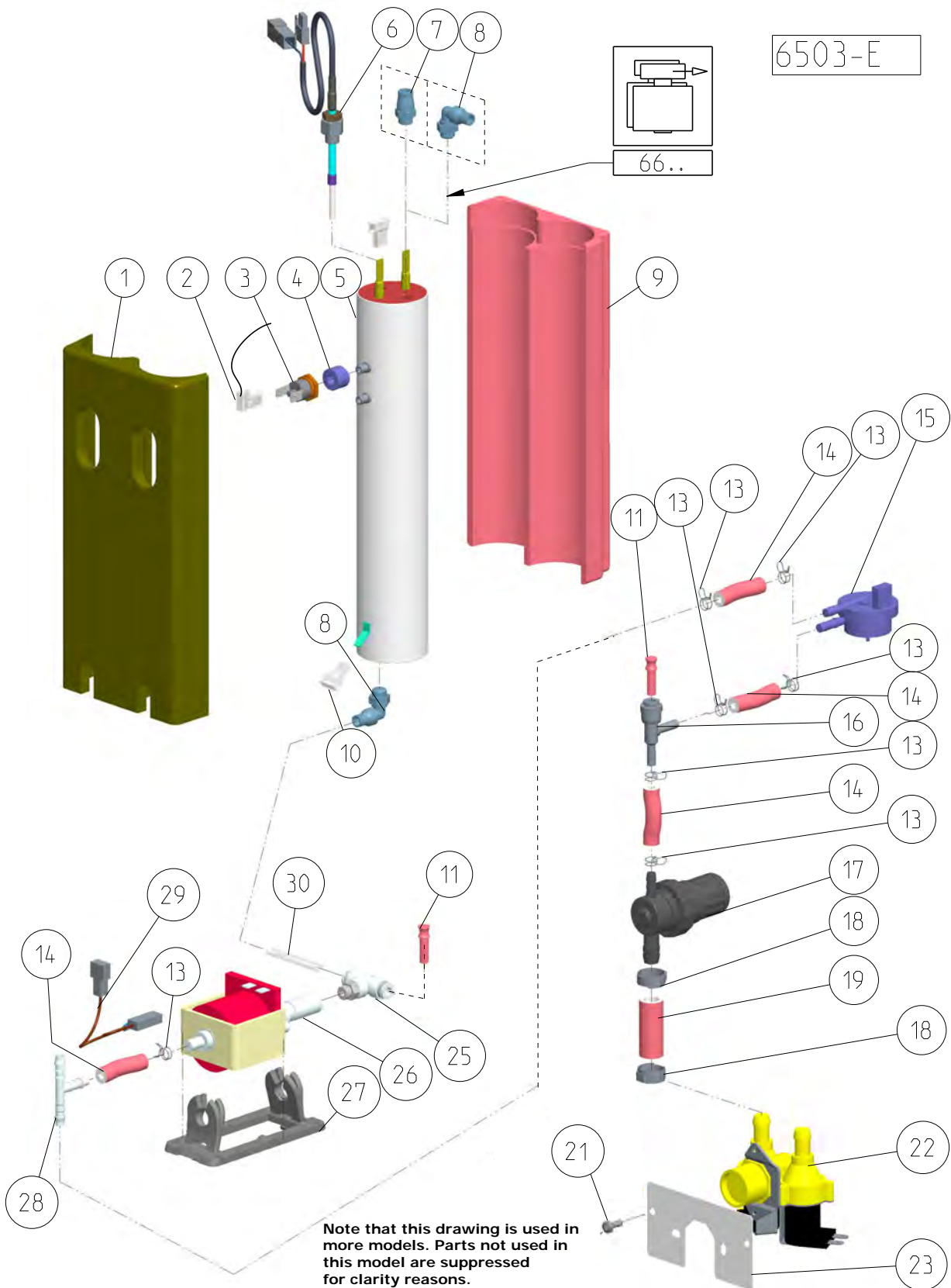
<i>Drawing</i>	<i>Pos</i>	<i>S</i>	<i>Part Nr</i>	<i>Qty</i>	<i>Spare Part Description</i>
65021-C1	19		4BVR018	2	Ring M5 stainless steel
65021-C1	20		4BBY029	2	Screw M4x16 stainless steel
65021-C1	21	SW	5EVW002	1	Heater element 2250W 230V AC
65021-C1	21	SW	5EVW005	1	Heater element 1200W 110V AC
65021-C1	22	SW	5EVW013	3	Heater element 3000W 230V AC for HC
65021-C1	23		6CKB458	1	Cable loom open boiler feed water container 230V
65021-C1	23		6CKB459	1	Cable loom 3 phase instant HC
65021-C1	24	SW	5RVA017	1	Seal boiler
65021-C1	25		5MVL147	1	Boiler lid for 1 heater
65021-C1	26		5MVL135	1	Boiler lid for 3 heaters
65021-C1	27		5MVL123	1	Fixation plate heater
65021-C1	28		4BVR017	1	Spring washer M5 stainless steel
65021-C1	29		4BMZ022	1	Nut M5
65021-C1	30			1	Ground wire (from cable loom - pos 23)
HISTORY					
65021-C1	01		4EMV050	1	Inlet valve single outlet 24VDC 5 Liter/min for High Capacity Machine <i>Replaced by 4EMV072</i>
65021-C1	01	SE	4EMV041	1	Inlet valve single outlet 24VDC <i>Replaced by 4EMV059 from S/N 2015.09.xxxx.001</i>
65021-C1	01	SE	4EMV059	1	Inlet valve single outlet 24VDC with backflow protection <i>Replaced by 4EMV070 from S/N 20xx.xx.xxxx.001</i>
65021-C1	12	SW	4EBV016	1	Clixon Steam Protection 110 Celcius <i>replaced by B52</i>
<end>					

- Part numbers marked with "SE" are Service parts Engineer stock
- Part numbers marked with "SW" are Service parts Warehouse stock
- Part numbers marked with "n/a" are Not Available as spare part
- De Jong Duke recommends to have service parts available on local (SE) or car stock (SW).

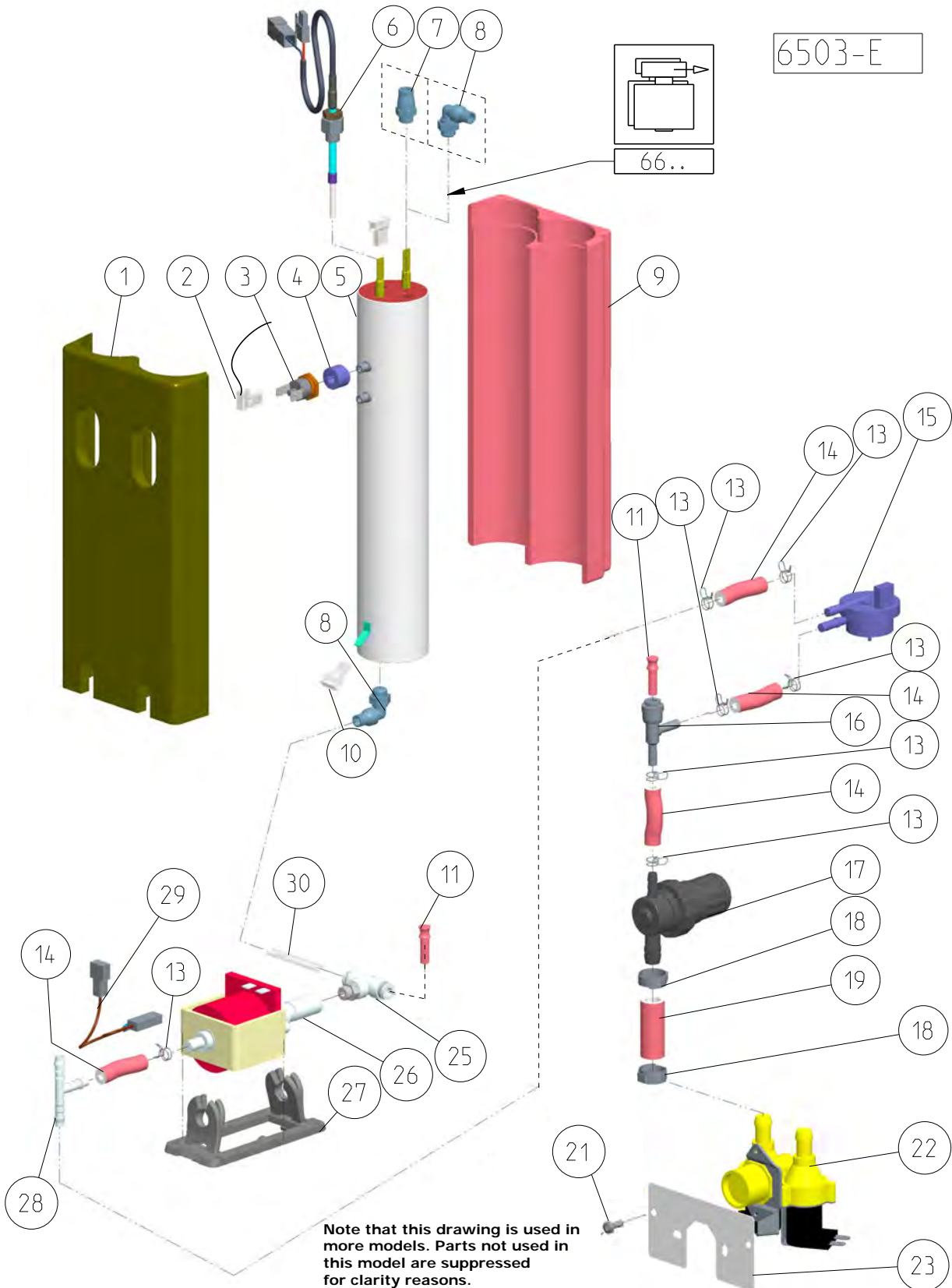


<i>Drawing</i>	<i>Pos</i>	<i>S</i>	<i>Part Nr</i>	<i>Qty</i>	<i>Spare Part Description</i>
65022-C	01		6VBL102	1	Boiler tank stainless steel
65022-C	02		6KVL001	1	Isolation boiler
65022-C	03	SE	4EMV022	n	Outlet valve Muller Single Left (24v)
65022-C	03	SE	4EMV023	n	Outlet valve Muller Double Left (24v)
65022-C	03	SE	4EMV024	n	Outlet valve Muller 3-way Left (24v)
65022-C	04	SE	5RDT004	2	Open fitting stainless-steel-boiler
65022-C	05	SE	5RDT005	n	Stop-fitting stainless-steel-boiler (Red)
65022-C	06		4XSL005	1	tube 10x14
65022-C	07		4KVL010	1	Cut-off clamp hose 19 mm
65022-C	08		4KDS006	1	Draining plug boiler
65022-C	09		4BKM024	1	Hose Clamp d=17-18
65022-C	10		6CKB210	1	Cable
65022-C	10		6CKB449	1	Cable <i>9FEC only - contains earth clip</i>
HISTORY					
65022-C	05	SE	5RDT005	n	Stop-fitting stainless-steel-boiler (White) <i>replaced by 5RDT005 red fitting from S/N 2011.50.xxxxx.xxx</i>

- Part numbers marked with "SE" are Service parts Engineer stock
- Part numbers marked with "SW" are Service parts Warehouse stock
- Part numbers marked with "n/a" are Not Available as spare part
- De Jong Duke recommends to have service parts available on local (SW) or car (SE) stock.

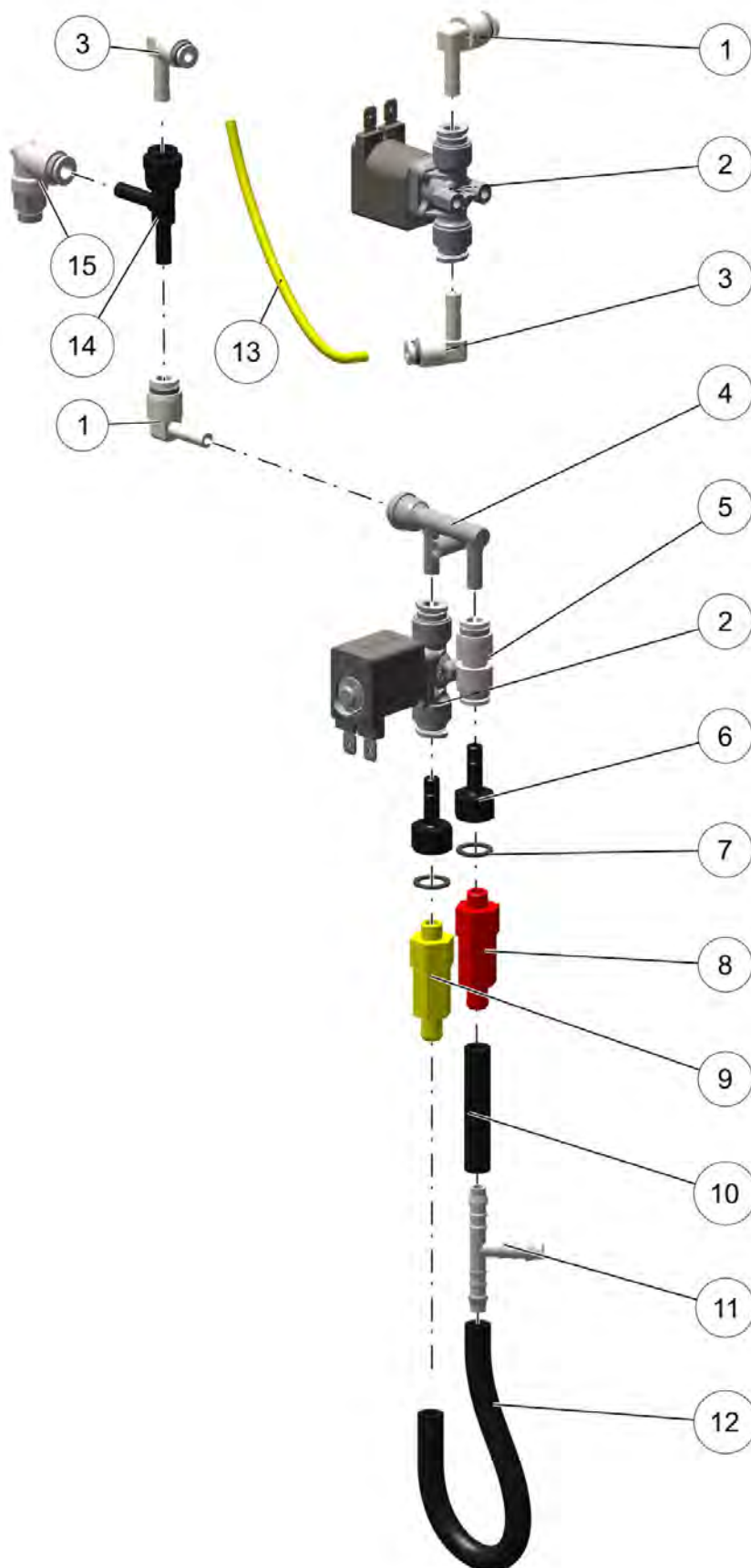


<i>Drawing</i>	<i>Pos</i>	<i>S</i>	<i>Part Nr</i>	<i>Qty</i>	<i>Spare Part Description</i>
					REFERENCES
66..					Refer to drawing valves (PPSU) : 6608 XEA
					SETS - 230V Pressure Boiler
			6VBL130		Pressure boiler (#1) 1660W / 230 VAC (2 clixons) assembly <i>with items: 3, 4, 5, 6, 8 (2x4KPF027)</i>
			6VBL113		Pressure boiler (#2) 1660W / 230 VAC (2 clixons) assembly <i>with items: 3, 4, 5, 6, 8 (1x4KPF027)</i>
					PARTS
6503-E	01		5KVL042		Front isolation for boilers
6503-E	02		6CKB288 +6CKB308		Clixon phase wires
6503-E	03	SW	4EBV018		Temperature safety clixon 110+/-5°C
6503-E	04		5MVL037		Clixon spacer
6503-E	05	SW	6VBL117		Pressure boiler 1660W 230VAC
6503-E	05	SW	6VBL075		Pressure boiler 1200W 120VAC <i>US only</i>
6503-E	06	SE	6CSS059		Boiler temperature and level probe 135 mm
6503-E	07	SE	4MPF034		Push-in straight fitting 1/8"BU-sl6mm
6503-E	07	SE	4MPF100		Push-in straight fitting 1/8"bd sl6mm (stainless steel)
6503-E	08	SE	4KPF027		Quick connection PPSU L 1/8bd sl6mm
6503-E	09		5KVL043		Back isolation for boilers
6503-E	10		6CKB308 +6CKB453		Ground wires
6503-E	11		5MPF007		Plug 6mm
6503-E	12		n/a		
6503-E	13	SE	4MVR013		Hose clamp 11m
6503-E	14	SE	4XSL037		Pressure hose 5x11
6503-E	15	SE	4ESE008		Watercounter / Flow meter 1.8mm
6503-E	16		4KPF055		Quick connection PPSU T 6-6-sl6
6503-E	17	SE	4MVL011		Pressure reducer 0-2 bar
6503-E	18	SE	4BKM046		Hose clamp 18.5 R
6503-E	19	SE	4XSL050		Pressure hose 10x16 PVC
6503-E	20		n/a		
6503-E	21		4BBK032		Bolt M4x12 and washer
6503-E	22	SE	4EMV071		Inlet valve double 24V DC with backflow protection
6503-E	23		5MVL082		Fixing plate inlet valve
6503-E	24		n/a		
6503-E	25	SE	4KPF023		Push-in T fitting 1/8bd sl6mm (PPSU)



<i>Drawing</i>	<i>Pos</i>	<i>S</i>	<i>Part Nr</i>	<i>Qty</i>	<i>Spare Part Description</i>
6503-E	26	SE	4EMT027		Pump 0-15bar
6503-E	27	SW	5RVA019		Rubber pump mounting
6503-E	28	SE	4KVL013		T-connector 4mm
6503-E	29		6CKB511		Thermal cut-out / temperature protection
6503-E	30	SE	4XSL035		Pressure tube 6mm
					HISTORY
6503-E	05	SW	6VBL071		Pressure boiler 1400W 230VAC <i>Replaced by 6VBL117 from S/N 2021.14.0428.001</i>
6503-E	06	SE	6CSS037		Boiler temperature and level probe 90 mm <i>Replaced by 6CSS059 from S/N 2021.14.0428.001</i>

6608-A

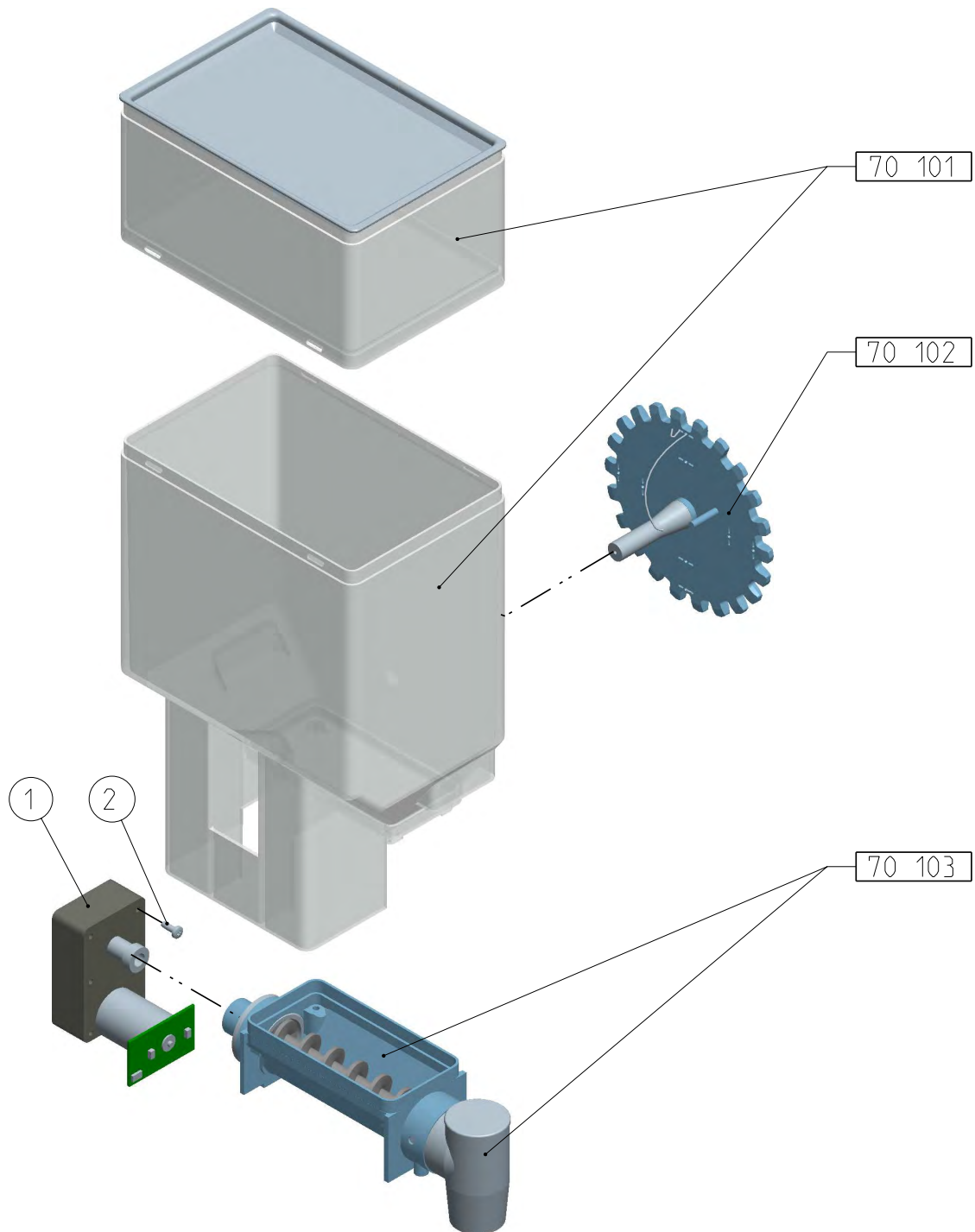


<i>Drawing</i>			<i>Part Nr</i>	<i>Qty</i>	<i>Spare Part Description</i>
6608-A	01		4KPF030	1	Quick Connection PPSU L pipe6-sl6
6608-A	02		4EMV062	4	Outlet Valve PPSU 2-way DN1,5/16bar
6608-A	03		4KPF053	1	Quick Connection PPSU L pipe6 sl4
6608-A	04		4KPF036	1	Manifold PPSU 2-out closed
6608-A	05		4KPF025	1	Quick Connection PPSU straight sl6mm-sl6mm
6608-A	06		5MPF009	2	Push-in straight fitting G1/8bd sl6mm (stainless steel)
6608-A	07		4BPR031	2	Sealing ring fiber 10x14x1
6608-A	08		4MPF085	1	Safety Valve 12 bar (stainless steel 303)
6608-A	09		4MPF084	1	Safety Valve 2 bar (stainless steel 303)
6608-A	10		4XSL002	1	Silicone tube grey 6x10
6608-A	11		4KVL013	1	T-connector 4mm (POM)
6608-A	12		4XSL002	1	Silicone tube grey 6x10
6608-A	13		4XSL047	1	Pressure Tube 2x4mm
6608-A	14		4KPF055	1	Quick connection PPSU T 6-6-sl6
6608-A	15		4KPF027	1	Quick connection PPSU L 1/8bd sl6mm

HISTORY

- Part numbers marked with "SE" are Service parts Engineer stock
- Part numbers marked with "SW" are Service parts Warehouse stock
- Part numbers marked with "n/a" are Not Available as spare part
- De Jong Duke recommends to have service parts available on local (SW) or car stock (SE).

7010-B



<i>Drawing</i>	<i>Pos</i>	<i>S</i>	<i>Part Nr</i>	<i>Qty</i>	<i>Spare Part Description</i>
70101					Refer to drawing 70101: Canister Body
70102					Refer to drawing 70102: Canister Wheel and Spring
70103					Refer to drawing 70103: Canister Spring
7010-B	01	SE	5EMT007	1	Powder motor 120 rpm 24VDC
7010-B	02		4BSC036	2	Cutting screw 3.5x9.5





CANISTER OVERVIEW


TYPE	ORD#NBR	INGREDIENT												
		BEANS	COFFEE	INSTANT COFFEE	DECAF COFFEE	INSTANT DECAF	SUGAR	SOUP	INSTANT TEA	TEA	TOPPING	CHOC	MILK	FRENCH VANILLA
	6DCN33X**	+												
	BEANS IN DOOR													
**) Depending on model. Model EDGE: 6DCN336, other models: 6DCN335.														
	9DCN088 *	+												
	BEANS CANISTER													
58														
	9DCN100111			+										
	9DCN100113						+							
	9DCN100114								+					
	9DCN120113		+		+			+			+	+		
	9DCN101111			+		+				+				
	9DCN101113						+							
	9DCN101114								+					
	9DCN101411									+				
	9DCN121113		+		+			+			+	+	+	+
88														
	9DCN320113		+											
	9DCN201111			+										
	9DCN220113		+											
	9DCN221113							+			+	+		
	9DCN321113										+	+		
118														
	9DCN420113										+	+		
	9DCN401111			+										
	9DCN401113			+				+						
	9DCN421113		+		+						+	+		
	9DCN520113		+								+	+		
	9DCN521113		+								+	+		
174														
	9DCN620113		+								+	+		
	9DCN601111			+										
	9DCN621113		+											
	9DCN621123		+											


O:\Duke\Afdelingen\Aftersales\02- Knowledge Base\# AS&CS_Documentation_Doc_General\Canister Configurations\CANISTER_CONFIGURATIONS_OVERVIEW_9DCNx_V03-00.docx

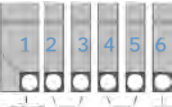
9XEA # 1 2 3 4 6 7 **INGREDIENT** **ORD# CAN.** **ORD# OUTLET**

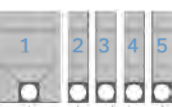
	17023 1020 – 145	1	174					COFFEE	9DCN621113	6DUL012
		2		118				CHOC	9DCN521113	6DUL009
		3			118			TOPPING	9DCN421113	5KPD042 + 5KPD039

	17034 1201 – 1346	1	118					COFFEE	9DCN521113	6DUL012
		2		118				CHOC	9DCN521113	5KPD041 + 5KPD039
		3			118			TOPPING	9DCN421113	5KPD042 + 5KPD039
		4				58		SUGAR	9DCN101113	5KPD016 + 5KPD039

	17044 1111 – 1456	1	174					COFFEE	9DCN621113	6DUL012
		2		118				CHOC	9DCN521113	5KPD016 + 5KPD039
		3			58			TOPPING	9DCN121113	5KPD016 + 5KPD039
		4				58		I-COFFEE	9DCN101111	5KPD016 + 5KPD039

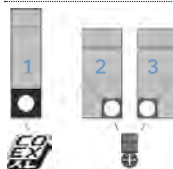
	17045 1211-13456	1	118					COFFEE	9DCN521113	6DUL012
		2		118				CHOC	9DCN521113	5KPD041 + 5KPD039
		3			58			TOPPING	9DCN121113	5KPD042 + 5KPD039
		4				58		SUGAR	9DCN101113	5KPD016 + 5KPD039
		5A						M-TOPPING	9DCN121113	5KPD016 + 5KPD039
		5B						I-TEA	9DCN101114	5KPD016 + 5KPD039
		5C				58		I-COFFEE	9DCN101111	5KPD016 + 5KPD039
	5D						SOUP	9DCN121113	5KPD016 + 5KPD039	


	17046 2211-245678	1	118					COFFEE	9DCN521113	6DUL012
		2		58				SUGAR	9DCN101113	6DUL017
		3			58			I-TEA	9DCN101114	5KPD016 + 5KPD039
		4				58		CHOC	9DCN121113	6DUL009
		5					58	TOPPING	9DCN121113	5KPD042 + 5KPD039
		6						58	SOUP	9DCN121113

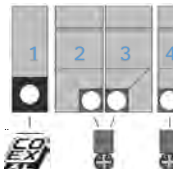
	17545 1121-13456	1	174					COFFEE	9DCN621123	6DUL012
		2		58				TEA	9DCN101111	5KPD041 + 5KPD039
		3			58			CHOC	9DCN121113	6DUL009
		4				58		TOPPING	9DCN121113	5KPD042 + 5KPD039
		5					58	I-COFFEE	9DCN101111	5KPD016 + 5KPD039

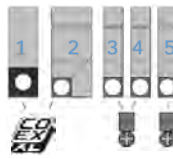
9xea-1-3

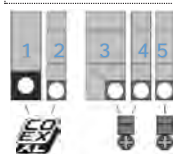
9XEA **VISIBLE BEAN CANISTER**

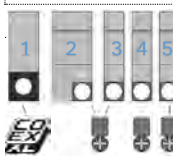
#	1	2	3	4	6	7	INGREDIENT	ORD# CAN.	ORD# OUTLET
	1	BC					BEANS	9DCN088*	6DUL011
	2		118				CHOC	9DCN521113	6DUL009
	3			118			TOPPING	9DCN421113	5KPD042 + 5KPD039

	1	BC					BEANS	9DCN088*	6DUL011
	2		118				COFF / DECAF	9DCN421113	6DUL012
	3A						TOPPING	9DCN121113	6DUL009
	3B			58			CHOC	9DCN121113	6DUL009
	4A						TOPPING	9DCN421113	5KPD042+5KPD039
	4B				118		CHOC	9DCN421113	5KPD042+5KPD039

	1	BC					BEANS	9DCN088*	6DUL011
	2		118				CHOC	9DCN521113	5KPD041 + 5KPD039
	3			118			TOPPING	9DCN421113	5KPD042 + 5KPD039
	4A						SUGAR	9DCN101113	6DUL016
	4B				58		I-COFFEE	9DCN101111	6DUL016

	1	BC					BEANS	9DCN088*	6DUL011
	2		118				COFFEE	9DCN421113	6DUL012
	3			58			CHOC	9DCN121113	6DUL009
	4				58		TOPPING	9DCN121113	5KPD042 + 5KPD039
	5A						SUGAR	9DCN101113	5KPD016 + 5KPD039
	5B					58	I-COFFEE	9DCN101111	5KPD016 + 5KPD039

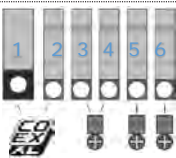
	1	BC					BEANS	9DCN088*	6DUL011
	2		58				COFFEE	9DCN121113	6DUL012
	3			118			CHOC	9DCN521113	6DUL009
	4				58		TOPPING	9DCN121113	5KPD042 + 5KPD039
	5					58	SUGAR	9DCN101113	5KPD016 + 5KPD039

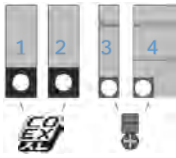
	1	BC					BEANS	9DCN088*	6DUL011
	2A		118				CHOC	9DCN521113	5KPD041 + 5KPD039
	2B		118				TOPPING	9DCN521113	5KPD041 + 5KPD039
	3A			58			TOPPING	9DCN121113	5KPD042 + 5KPD039
	3B			58			CHOC	9DCN121113	5KPD042 + 5KPD039
	4A				58		SUGAR	9DCN101113	5KPD016 + 5KPD039
	4B				58		I-TEA	9DCN101114	5KPD016 + 5KPD039
	5A					58	I-COFFEE	9DCN101111	5KPD016 + 5KPD039
	5B					58	SUGAR	9DCN101113	5KPD016 + 5KPD039

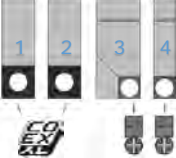
9xea-2-3

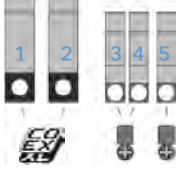
*) 9DCN088 also available with lock: 9DCN090 or with extension: 9DCN089 or extension with lock: 9DCN091

9XEA VISIBLE BEAN CANISTER – CONTINUED

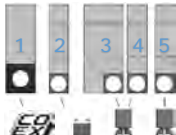
#	1	2	3	4	6	7	INGREDIENT	ORD# CAN.	ORD# OUTLET	
	1	BC					BEANS	9DCN088*	6DUL011	
	2		58				COFF / DECAF	9DCN121113	6DUL012	
	3			58			CHOC	9DCN121113	5KPD041 + 5KPD039	
	4				58		TOPPING	9DCN121113	5KPD042 + 5KPD039	
	5					58	SUGAR	9DCN101113	5KPD016 + 5KPD039	
	6A							M-TOPPING	9DCN121113	5KPD016 + 5KPD039
	6B							I-COFFEE	9DCN101111	5KPD016 + 5KPD039
	6C						58	SOUP	9DCN121113	5KPD016 + 5KPD039
	6D							I-TEA	9DCN101114	5KPD016 + 5KPD039
	6E							FRENCH-VANILLA	9DCN121113	5KPD016 + 5KPD039

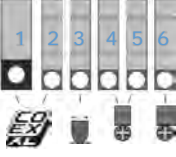
	1	BC					BEANS1	9DCN088*	6DUL011	
	2		BC				BEANS2	9DCN088*	6DUL011	
	3A							CHOC	9DCN121113	6DUL009
	3B						58	TOPPING	9DCN121113	6DUL009
	4A							TOPPING	9DCN421113	5KPD042 + 5KPD039
	4B						58	CHOC	9DCN421113	5KPD042 + 5KPD039

	1	BC					BEANS1	9DCN088*	6DUL011
	2		BC				BEANS2	9DCN088*	6DUL011
	3			118			CHOC / TOP.	9DCN521113	5KPD016 + 5KPD039
	4				58		TOP. / CHOC	9DCN121113	5KPD016 + 5KPD039

	1	BC					BEANS1	9DCN088*	6DUL011
	2		BC				BEANS2	9DCN088*	6DUL011
	3			58			CHOC	9DCN121113	6DUL009
	4				58		TOPPING	9DCN121113	5KPD042 + 5KPD039
	5					58	SUGAR	9DCN101113	5KPD016 + 5KPD039





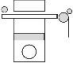


9XEA VISIBLE BEAN CANISTER AND TEA BREWER



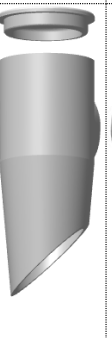

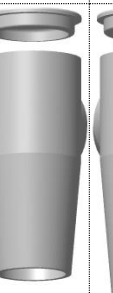
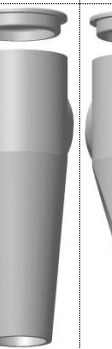
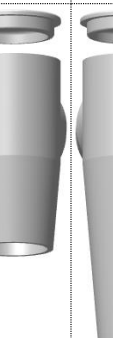
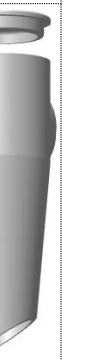
#	1	2	3	4	6	7	INGREDIENT	ORD# CAN.	ORD# OUTLET
	1	BC					BEANS	9DCN088*	6DUL011
	2		58				TEA	9DCN101111	6DUL006
	3			118			CHOC	9DCN521113	6DUL009
	4				58		TOPPING	9DCN121113	5KPD042 + 5KPD039
	5					58	SUGAR	9DCN101113	5KPD016 + 5KPD039






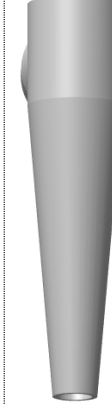
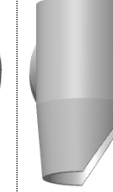
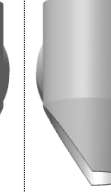
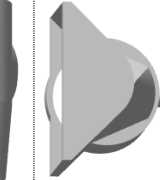
	1	BC					BEANS	9DCN088*	6DUL011	
	2		58				DECAF /COFF	9DCN121113	6DUL012	
	3			58			TEA	9DCN101111	5KPD041 + 5KPD039	
	4				58		CHOC	9DCN121113	6DUL009	
	5					58	TOPPING	9DCN121113	5KPD042 + 5KPD039	
	6A							SUGAR	9DCN101113	5KPD016 + 5KPD039
	6B						58	I-COFFEE	9DCN101111	5KPD016 + 5KPD039
6C							SOUP	9DCN121113	5KPD016 + 5KPD039	

9xea-3-3

LEGEND											
	#	1	2	3	4	6	7	8	INGR.	ORD# CAN.	ORD# OUTLET
CANISTERS CONFIGURATION	POSITION AND WIDTH OF CANISTER IN MACHINE								INGREDIENT FOR THIS CANISTER	ORDER NUMBER FOR THIS CANISTER	ORDER NUMBER FOR OUTLETS BASED ON POSITION OF CANISTER

SYMBOLS		INGREDIENTS	
	BD = BEANS IN DOOR		COEX BREWER
	BC = BEAN CANISTER		COEX XL BREWER
			UNI-BREWER
			TEA BREWER
			MIXER
			BEANS = WHOLE BEANS
			COFFEE = GROUND COFFEE
			CHOC = CHOCOLATE
			TOP. = TOPPING
			DECAF = DECAFFEINATED COFFEE
			I-DECAF = INSTANT DECAFFEINATED COFFEE
			I-COFFEE = INSTANT COFFEE
			I-TEA = INSTANT TEA
			M-TOPPING = MILK TOPPING
			TEA = LEAF TEA

6DUL006 L=101	6DUL008 L=101	6DUL009 L=87	6DUL011 L=134	6DUL012 L=80	6DUL014 L=105	6DUL016 L=70	6DUL017 L=110
							

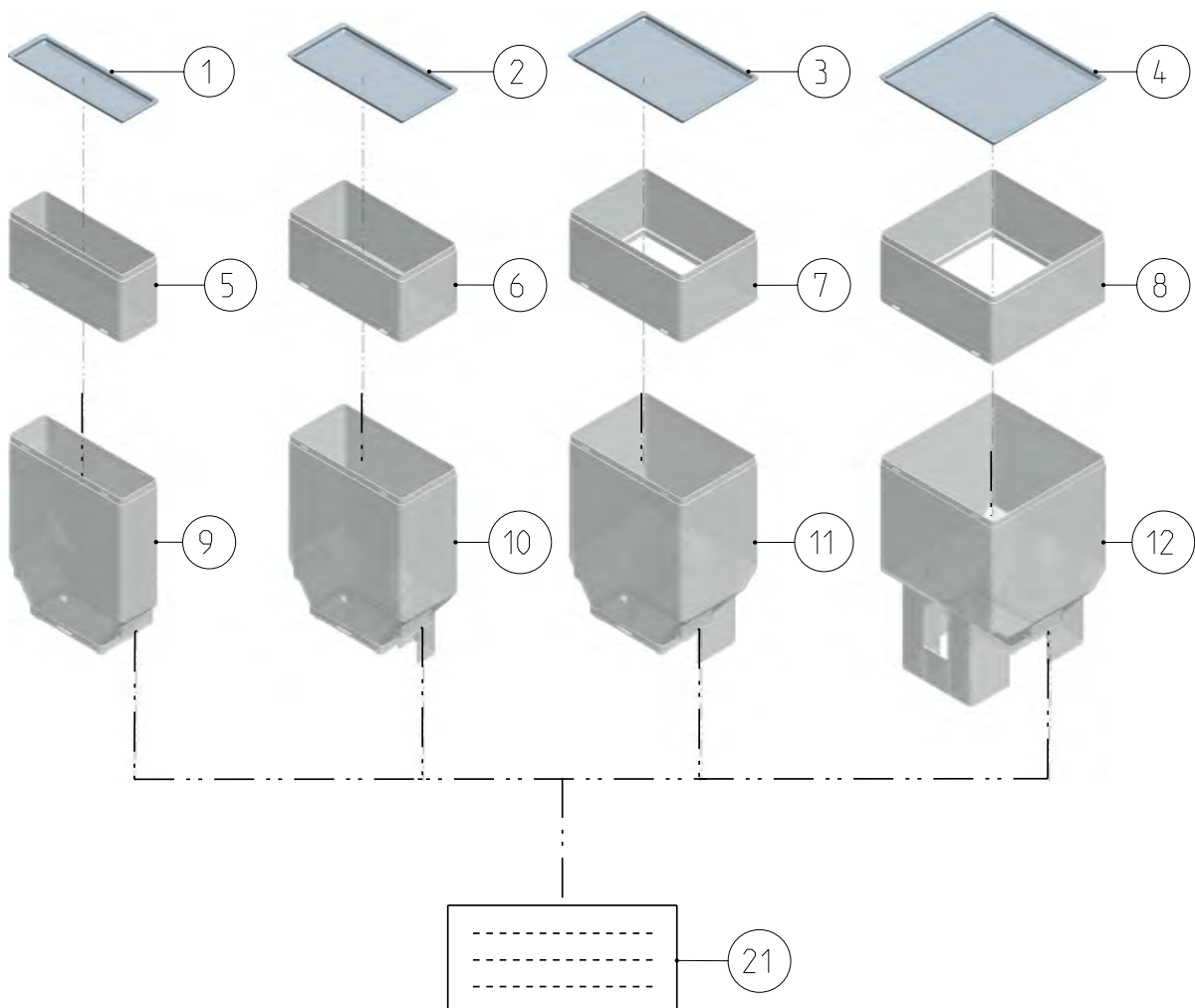
6DUL020 L=122	6DUL023 L=137	6DUL024 L=123	6DUL026 L=74	5KPD016 * L=63	5KPD017 * L=143	5KPD041 * L=63	5KPD042 * L=63	5KPD005 * L=n/a
								

***) IMPORTANT:** When ordering canister outlets 5KPD* do not forget to order cap 5KPD039, outlets 6DUL* are delivered including the cap.

PAGE INTENTIONALLY LEFT BLANK

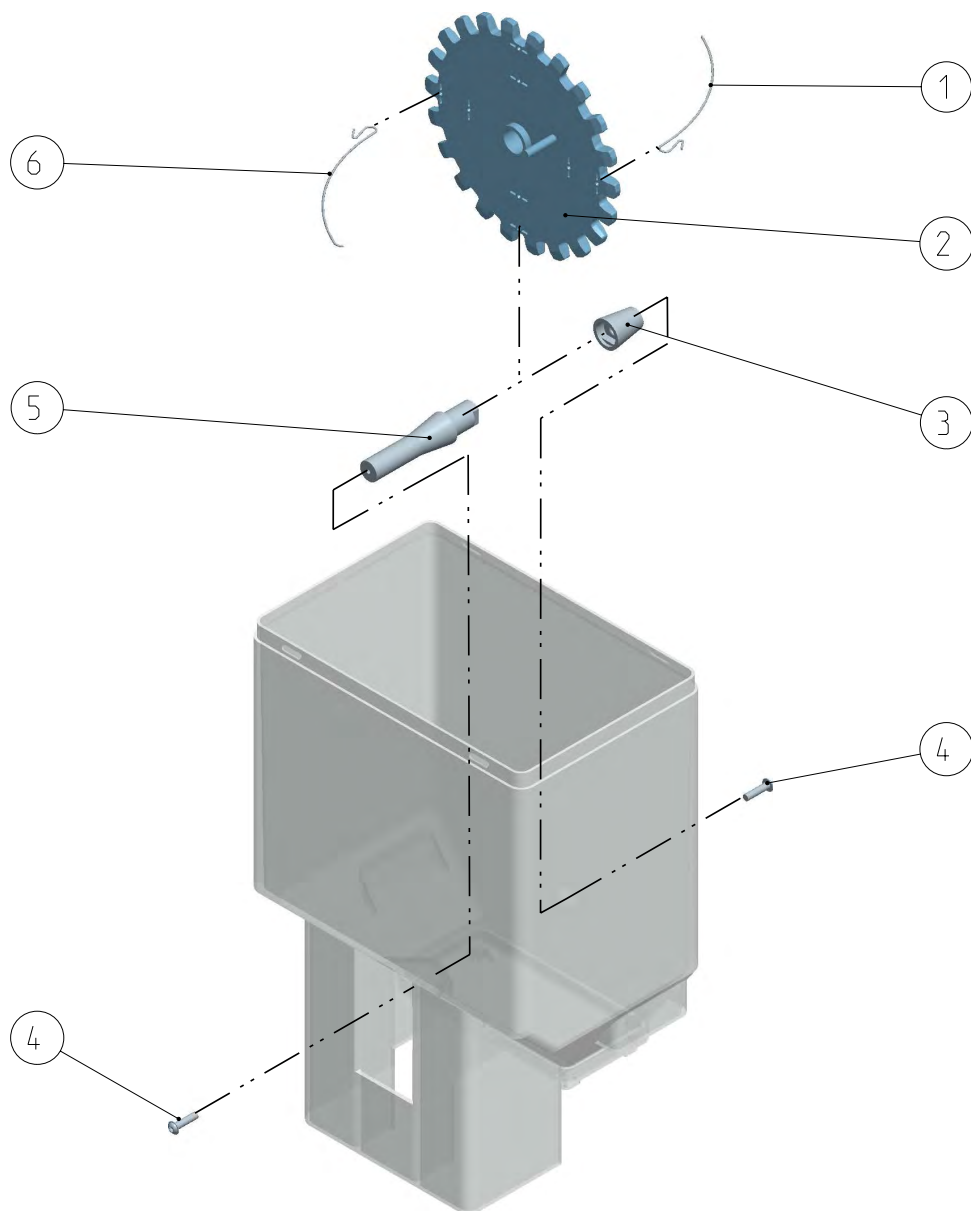


70101-C



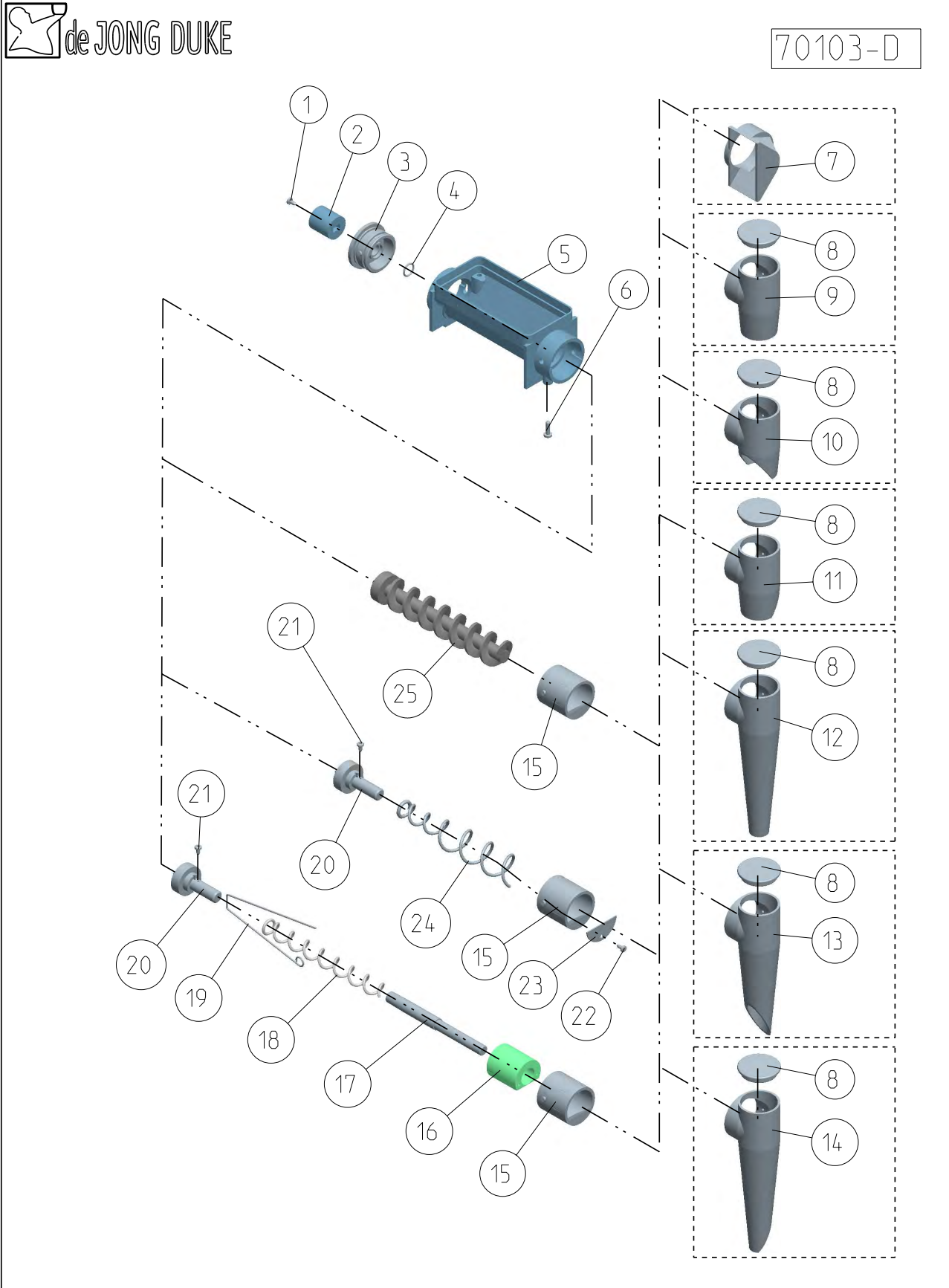
<i>Drawing</i>	<i>Pos</i>	<i>S</i>	<i>Part Nr</i>	<i>Qty</i>	<i>Spare Part Description</i>
70101-C	01		5KPD028		Lid B=58mm / 2 1/4"
70101-C	02		5KPD029		Lid B=88mm / 3 1/2"
70101-C	03		5KPD030		Lid B=118mm / 4 5/8"
70101-C	04		5KPD031		Lid B=174mm / 6 7/8"
70101-C	05		5KPD024		Extension piece B=58mm
70101-C	06		5KPD025		Extension piece B=88mm / 3 1/2"
70101-C	07		5KPD026		Extension piece B=118mm
70101-C	08		5KPD027		Extension piece B=174mm
70101-C	09		5KPD019		Canister body B=58mm / 2 1/4"
70101-C	10		5KPD020		Canister body B=88mm / 3 1/2"
70101-C	11		5KPD021		Canister body B=118mm / 4 5/8"
70101-C	12		5KPD022		Canister body B=174mm / 6 7/8"
70101-C	21		TP342		Sticker Coffee 1
70101-C	21		5TAG074		Sticker Coffee 2
70101-C	21		5TAG071		Sticker Instant Coffee
70101-C	21		TP344		Sticker Decaf
70101-C	21		TP347		Sticker Milk
70101-C	21		5TAG026		Sticker Topping
70101-C	21		TP349		Sticker Cappuccino
70101-C	21		TP348		Sticker Sugar
70101-C	21		5TAG072		Sticker French Vanille
70101-C	21		TP346		Sticker Tea
70101-C	21		TP343		Sticker Chocolate
70101-C	21		TP345		Sticker Soup 1
70101-C	21		5TAG075		Sticker Soup 2
70101-C	21	SW	5TAG068		All the stickers

- Part numbers marked with "SE" are Service parts Engineer stock
- Part numbers marked with "SW" are Service parts Warehouse stock
- Part numbers marked with "n/a" are Not Available as spare part
- De Jong Duke recommends to have service parts available on local (SW) or car stock. (SE)



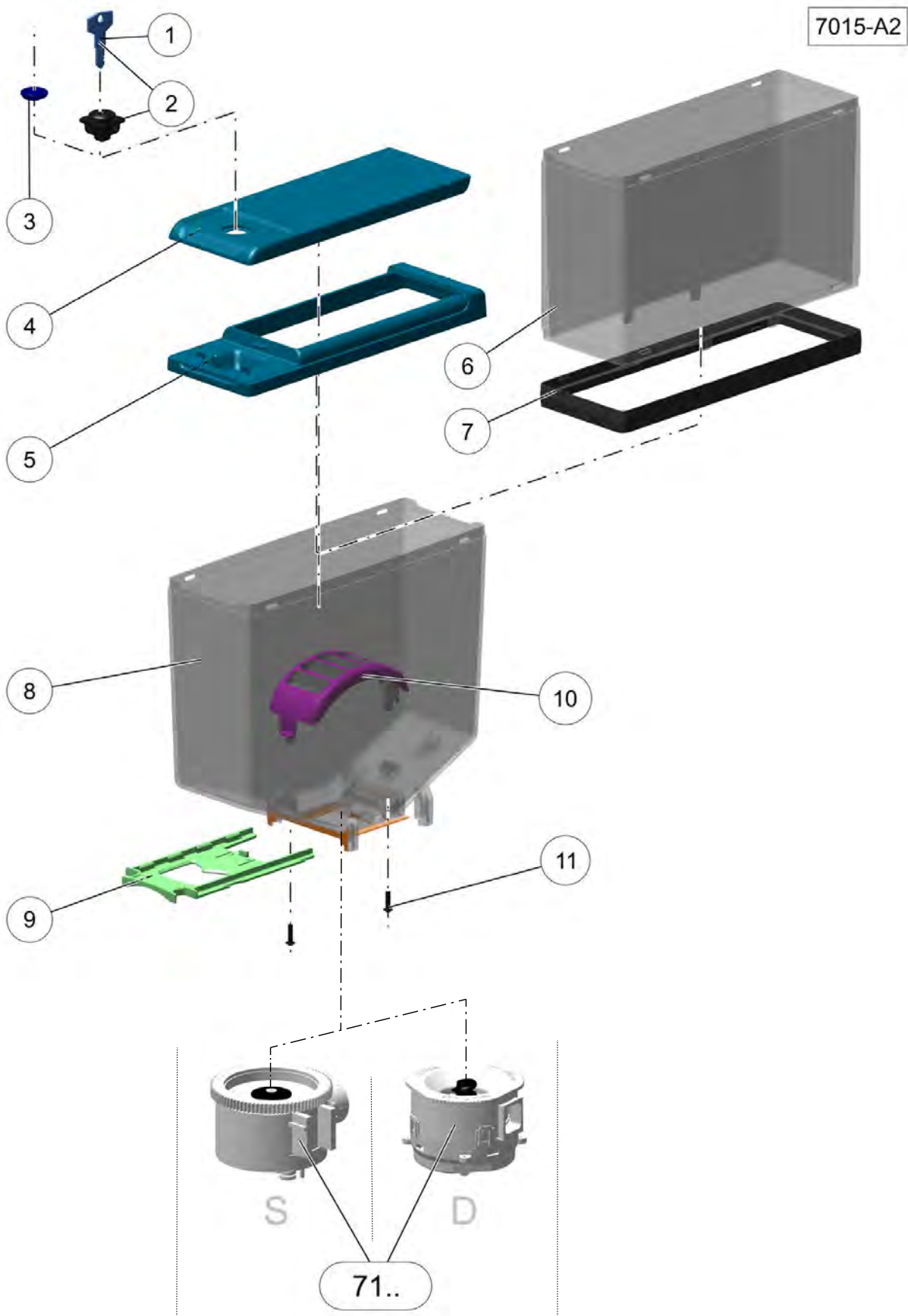
<i>Drawing</i>	<i>Pos</i>	<i>S</i>	<i>Part Nr</i>	<i>Qty</i>	<i>Spare Part Description</i>
70102-B		SW	9DCN085	1	Agitator set for canister 60,90,120 and 180mm <i>with items 1, 2, 6 (4x 5MPD064 , 2x 5MPD065)</i>
Canister 60mm					
70102-B	01		5MPD065	1	Spring container wheel short D=1 mm
70102-B	02		5KPD056	1	Agitator wheel
70102-B	03		5KPD048	1	Axis for auger wheel short
70102-B	04		4BSC013	2	Retaining screw 3.5x25
70102-B	05		5KPD049	1	Axis for auger wheel long
70102-B	06		5MPD065	1	Spring container wheel short D=1 mm
Canister 90mm					
70102-B	01		5MPD065	1	Spring container wheel short D=1 mm
70102-B	02		5KPD056	1	Agitator wheel
70102-B	03		5KPD048	1	Axis for auger wheel short
70102-B	04		4BSC013	2	Retaining screw 3.5x25
70102-B	05		5KPD050	1	Axis for auger wheel long
70102-B	06		5MPD064	2	Spring container wheel long D=1 mm
Canister 120mm					
70102-B	01		5MPD065	1	Spring container wheel short D=1 mm
70102-B	02		5KPD056	1	Agitator wheel
70102-B	03		5KPD048	1	Axis for auger wheel short
70102-B	04		4BSC013	2	Retaining screw 3.5x25
70102-B	05		5KPD050	1	Axis for auger wheel long
70102-B	06		5MPD064	2	Spring container wheel long D=1 mm
Canister 180mm					
70102-B	01		5MPD064	2	Spring container wheel long D=1 mm
70102-B	02		5KPD056	1	Agitator wheel
70102-B	03		5KPD047	1	Axis for auger wheel short
70102-B	04		4BSC013	1	Retaining screw 3.5x25
70102-B	04		4BSC031	1	Retaining screw 4x60
70102-B	05		5KPD050	1	Axis for auger wheel long
70102-B	06		5MPD064	2	Spring container wheel long D=1 mm

- Part numbers marked with "SE" are Service parts Engineer stock
- Part numbers marked with "SW" are Service parts Warehouse stock
- Part numbers marked with "n/a" are Not Available as spare part
- De Jong Duke recommends to have service parts available on local (SW) or car (SE) stock.



<i>Drawing</i>	<i>Pos</i>	<i>S</i>	<i>Part Nr</i>	<i>Qty</i>	<i>Spare Part Description</i>
70103-D	01		4BSC019		Screw 2.9x6.5
70103-D	02		5KPD009		Driver canister (female)
70103-D	03		5KLG002		Canister Bearing
70103-D	04		4ROR007		O-Ring 9.5x1.4
70103-D	05		5KPD055		Canister base
70103-D	06		4BSC003		Screw 9,5x13 <i>Not used anymore</i>
70103-D	07		5KPD005		Outlet canister nozzle side outlet
70103-D	08		5KPD039		Outlet canister nozzle cap
70103-D	09		5KPD016		Outlet canister nozzle short
70103-D	10		5KPD042		Outlet canister nozzle short right
70103-D	10		6DUL016		Outlet canister nozzle short right
70103-D	11		5KPD041		Outlet canister nozzle short left
70103-D	12		5KPD017		Outlet canister nozzle long
70103-D	12		6DUL011		Outlet grinder <i>9CND, 9CEC</i>
70103-D	12		6DUL026		Outlet canister <i>9CND</i>
70103-D	12		6DUL012		Outlet canister pipe <i>9CND-K2/ 9CEC-K1/2</i>
70103-D	12		6DUL020		Outlet grinder pipe left <i>9FND</i>
70103-D	12		6DUL024		Outlet grinder door virtu 80 127mm
70103-D	13		6DUL008		Dispensing nozzle long, mixer right <i>9FEC, 9IEA</i>
70103-D	14		6DUL009		Outlet canister for mixer left <i>9FND, 9CEC</i>
70103-D	14		6DUL006		Outlet canister (long) side outlet <i>left mixer 9FEC, tea 9CEC</i>
70103-D	15		5KPD044		Hopper outlet tube Short
70103-D	16		5KPD038		Insert for outlet
70103-D	17		5MPD067		Axis stainless steel for instant Tea <i>Not used anymore</i>
70103-D	18		5MPD086		Metal auger Short Ø12mm for instant Tea
70103-D	18		5MPD045		Metal auger Short Ø14.5mm for instant Coffee / Milk / Tea
70103-D	19		5MPD048		Metal spring auger Short for instant Milk
70103-D	20		5KPD036		Metal auger drive
70103-D	21		4BSC001		Sheet metal screw 2.9x6.5
70103-D	22		4BSC001		Sheet metal screw 2.9x6.5
70103-D	23		5MPD099		Shield plate for powder Topping / Choco
70103-D	24		5MPD100		Metal auger Ø23mm for powder Topping / Choco
70103-D	25		5KPD010		Auger Plastic Short Ø23mm for powder Topping / Choco / Sugar / Soup / Milk)

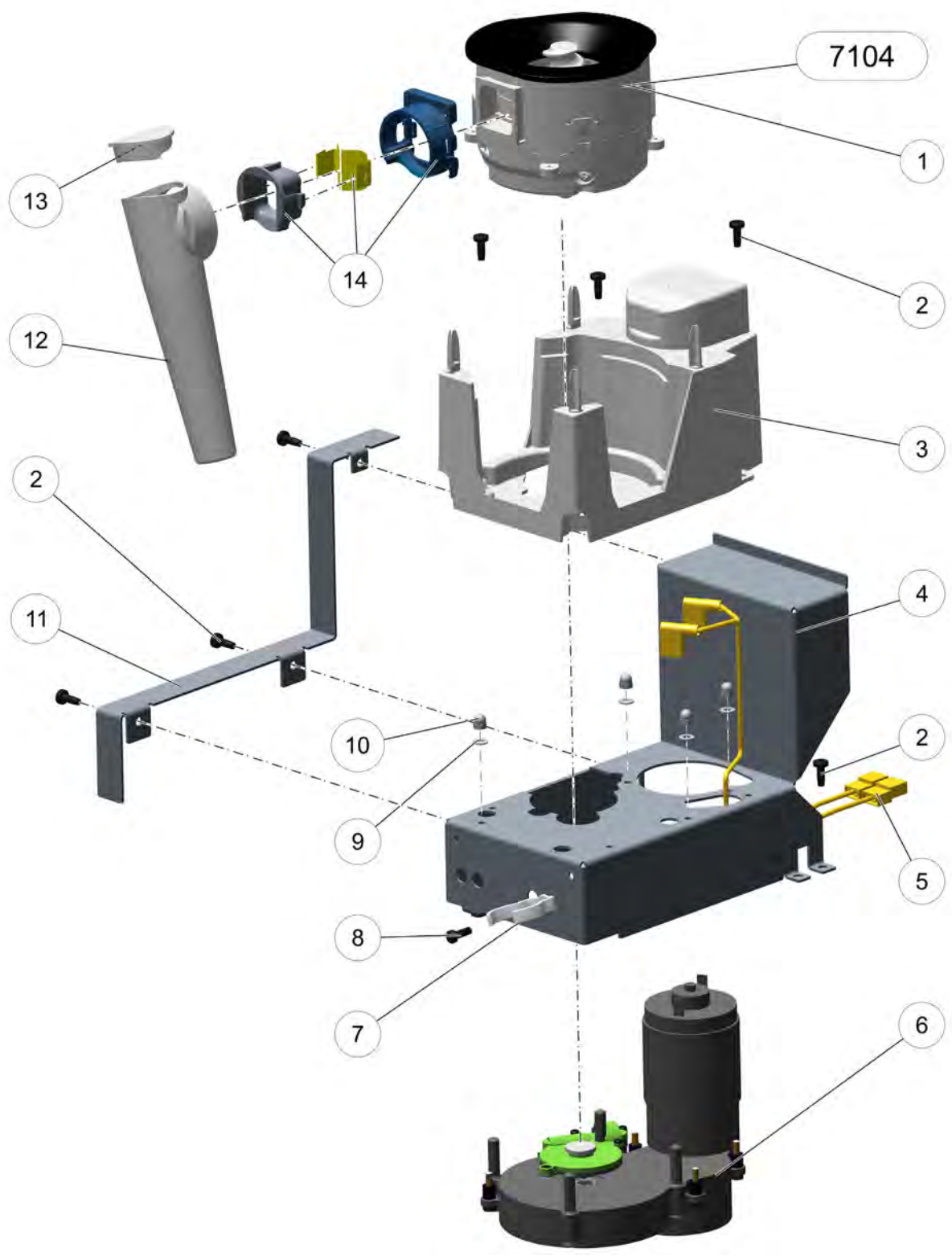
- Part numbers marked with "SE" are Service parts Engineer stock
- Part numbers marked with "SW" are Service parts Warehouse stock
- Part numbers marked with "n/a" are Not Available as spare part
- De Jong Duke recommends to have service parts available on local (SW) or car (SE) stock.



<i>Drawing</i>	<i>Pos</i>	<i>S</i>	<i>Part Nr</i>	<i>Qty</i>	<i>Spare Part Description</i>
					REFERENCES
71..					Refer to drawing : - 7102 S-Grinder - 7103 D-Grinder
					SETS
7015-A		SW	9DCN088	1	Complete canister <i>with items 3, 4, 5, 8, 9, 10, 11</i>
7015-A		SW	9DCN090	1	Complete canister with lock <i>with items 1, 2, 4, 5, 8, 9, 10, 11</i>
7015-A		SW	9DCN089	1	Complete canister with enlargement <i>with items 3, 4, 5, 6, 7, 8, 9, 10, 11</i>
7015-A		SW	9DCN091	1	Complete canister with enlargement and lock <i>with items 1, 2, 4, 5, 6, 7, 8, 9, 10, 11</i>
			9DCN092	1	Enlargement + fitting <i>with items 6 and 7</i>
					PARTS
7015-A	01	SW	4MHS031		Key for lock 4MHS030
7015-A	02	SW	4MHS030	1	Lock with key
7015-A	03		5RDK004	1	Stop for lid
7015-A	04		5KBN011	1	Lid
7015-A	05		5KBN010	1	Lid base
7015-A	06		5KBN013	1	Enlargement
7015-A	07		5KBN012	1	Enlargement fitting
7015-A	08		5KBN009	1	Canister base
7015-A	09		5KBN002	1	Canister locking slider
7015-A	10		5KBN034	1	Grinder schielding <i>Note: part will only fit in canisters in machines, produced from s/n: 2020.42.5969.001</i>
7015-A	11		4BSC036	2	Screw torx 3.5x13.5
			HISTORY		
7015-A	08		5KBN009	1	Canister base <i>Replaced by 5KBN009 Canister base with grinder schielding from s/n: 2020.42.5969.001</i>

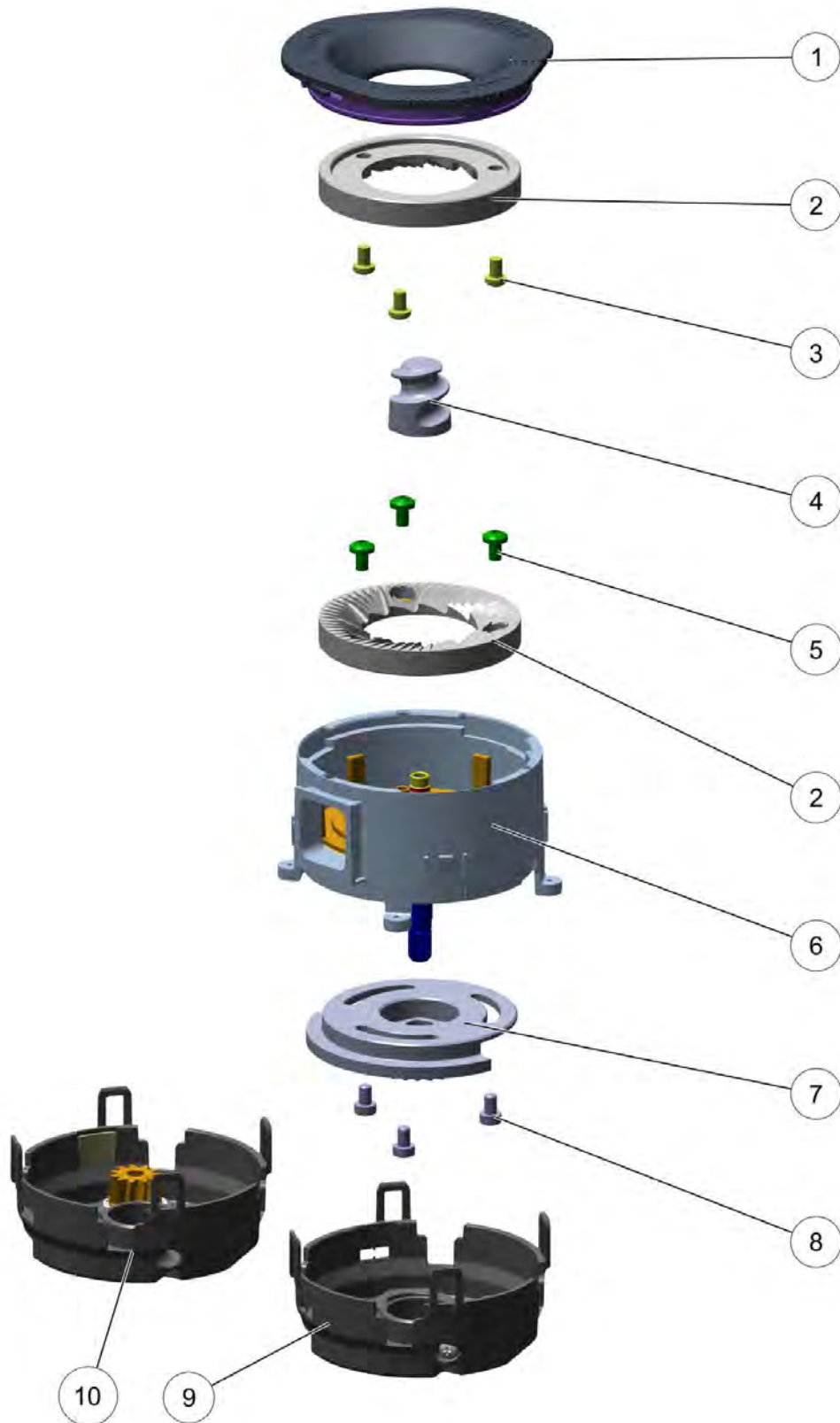
- Part numbers marked with "SE" are Service parts Engineer stock
- Part numbers marked with "SW" are Service parts Warehouse stock
- Part numbers marked with "n/a" are Not Available as spare part
- De Jong Duke recommends to have service parts available on local (SW) or car stock (SE).

7103-A



<i>Drawing</i>	<i>Pos</i>	<i>S</i>	<i>Part Nr</i>	<i>Qty</i>	<i>Spare Part Description</i>
					REFERENCES
7104					Refer to drawing: 7104 D-grinder
					SETS
7103-A		SW	TBD		Set of 2 D-Grinder discs and 6 screws
					PARTS
7103-A	01		6KGR009	1	D-Grinder only - manual adjustment
7103-A	02		4BSC022	7	Screw 3,5x9,5
7103-A	03		5KBN027	1	D-Grinder base
7103-A	04		5MBN006	1	D-Grinder frame
7103-A	05		6CKB533	1	D-Grinder cable
7103-A	06		6KGR007	1	D-Grinder complete with motor - manual adjustment <i>with item 01</i>
7103-A	07		5KBN033	1	Outlet guide
7103-A	08		4BSC055	1	Screw 3.5x10 (stainless steel)
7103-A	09		4BPR004	3	Washer M3
7103-A	10		4BMZ051	3	Acorn nut M3
7103-A	11		5MBN007	1	D-Grinder filler plate
7103-A	12		5KBN028	1	Outlet
7103-A	13		5KBN029	1	Outlet cap
7103-A	14		9DCN097	1	D-Grinder outlet adapter set complete

7104-A

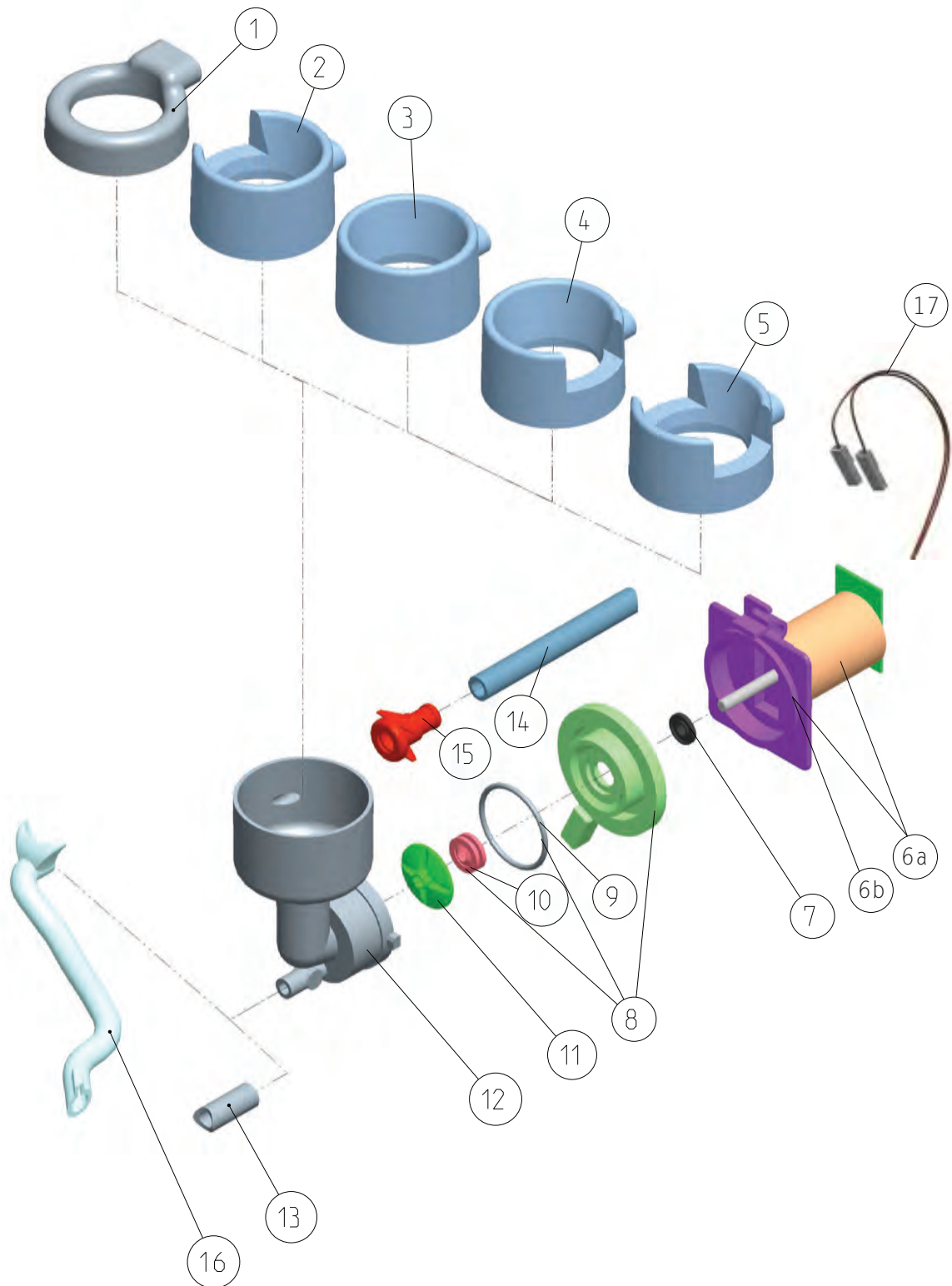


<i>Drawing</i>	<i>Pos</i>	<i>S</i>	<i>Part Nr</i>	<i>Qty</i>	<i>Spare Part Description</i>
					SETS
7104-A		SW	6KGR007		D-Grinder complete with motor - manual adjustment version <i>(see drawing 7103)</i>
7104-A		SW	6KGR009		D-Grinder only - manual adjustment version <i>with items 1-10</i>
7104-A		SW	9GES120		Set of 2 grinder discs <i>no screws included</i>
					PARTS
7104-A	01		n/a	1	Grinder Bayonet cover
7104-A	02		n/a	2	D-grinder disc - see set above
7104-A	03		n/a	3	Screws upper disc
7104-A	04		n/a	1	Auger
7104-A	05		n/a	3	Screws lower disc
7104-A	06		n/a	1	Grinder house
7104-A	07		n/a	1	Adjustment wheel
7104-A	08		n/a	3	Screws adjustment wheel
7104-A	09		n/a	1	Grinder Adjustment cover - manual version
7104-A	10		n/a	1	Grinder Adjustment cover - electric version
HISTORY					

- Part numbers marked with "SE" are Service parts Engineer stock
- Part numbers marked with "SW" are Service parts Warehouse stock
- Part numbers marked with "n/a" are Not Available as spare part
- De Jong Duke recommends to have service parts available locally (SW) or as car stock (SE).

 de JONG DUKE

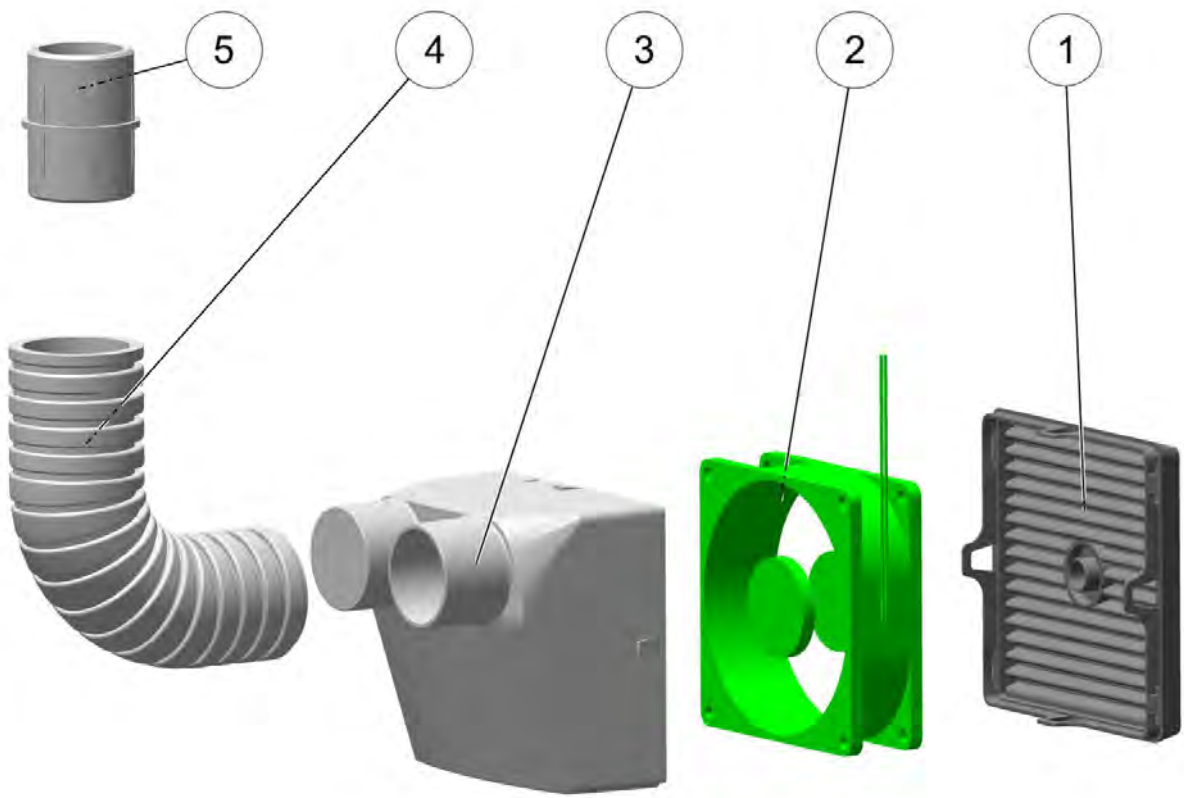
7503-D



<i>Drawing</i>	<i>Pos</i>	<i>S</i>	<i>Part Nr</i>	<i>Qty</i>	<i>Spare Part Description</i>
7503-D	01	SW	4KMX028	1	Mixer suction trap - steam ring (low model)
7503-D	02	SW	4KMX017	1	Mixer suction trap - vapour (left-side open)
7503-D	03	SW	4KMX015	4	Mixer suction trap - steam
7503-D	04	SW	4KMX016	1	Mixer suction trap - vapour (right-side open)
7503-D	05	SW	4KMX018	1	Mixer suction trap - vapour (left+right side open)
7503-D	6a	SE	4EMT024	4	Mixer motor 24v dc <i>including base plate 4KMX030 (pos 06b)</i>
7503-D	6b	SE	4KMX030	4	Base plate for Mixer motor
7503-D	07	SW	4KMX006	4	Slinger disc whipper base plate
7503-D	08	SW	4KMX026	4	Mixer bayonet catch
7503-D	09	SE	4ROR016	4	O-ring mixer plate
7503-D	10	SE	4RVA002	4	Seal whipper base plate
7503-D	11		4KMX019	4	Mixer propeller (old version)
7503-D	11	SW	4KMX027	4	Mixer propeller (integral)
7503-D	12	SW	4KMX025	4	Mixer house grey
7503-D	12	SW	4KMX031	2	Mixer house black (for mixer at pressure boiler)
7503-D	13	SE	4XSL003	1	Tube 8x12 grey
7503-D	14	SE	4XSL003	1	Tube 8x12 grey (when used with open boiler)
7503-D	14	SE	4XSL001	1	Tube 4x8 grey
7503-D	15	SE	4KDT004	4	Adapter for mixer house (not for 9CND) <i>Replaced by 4KDT008 from S/N 2013.42.xxxx.001 for 9CND</i>
7503-D	15	SE	4KDT008	4	Adapter for mixer house (9CND only)
7503-D	16	SW	5RSL003	1	Instant tube Essence
7503-D	17	SW	6CKB310	1	Cable loom with poly switch (safety)
7503-D	17	SW	6CKB208	1	Cable to main cable loom 2 mixers
7503-D	17	SW		1	to cable loom

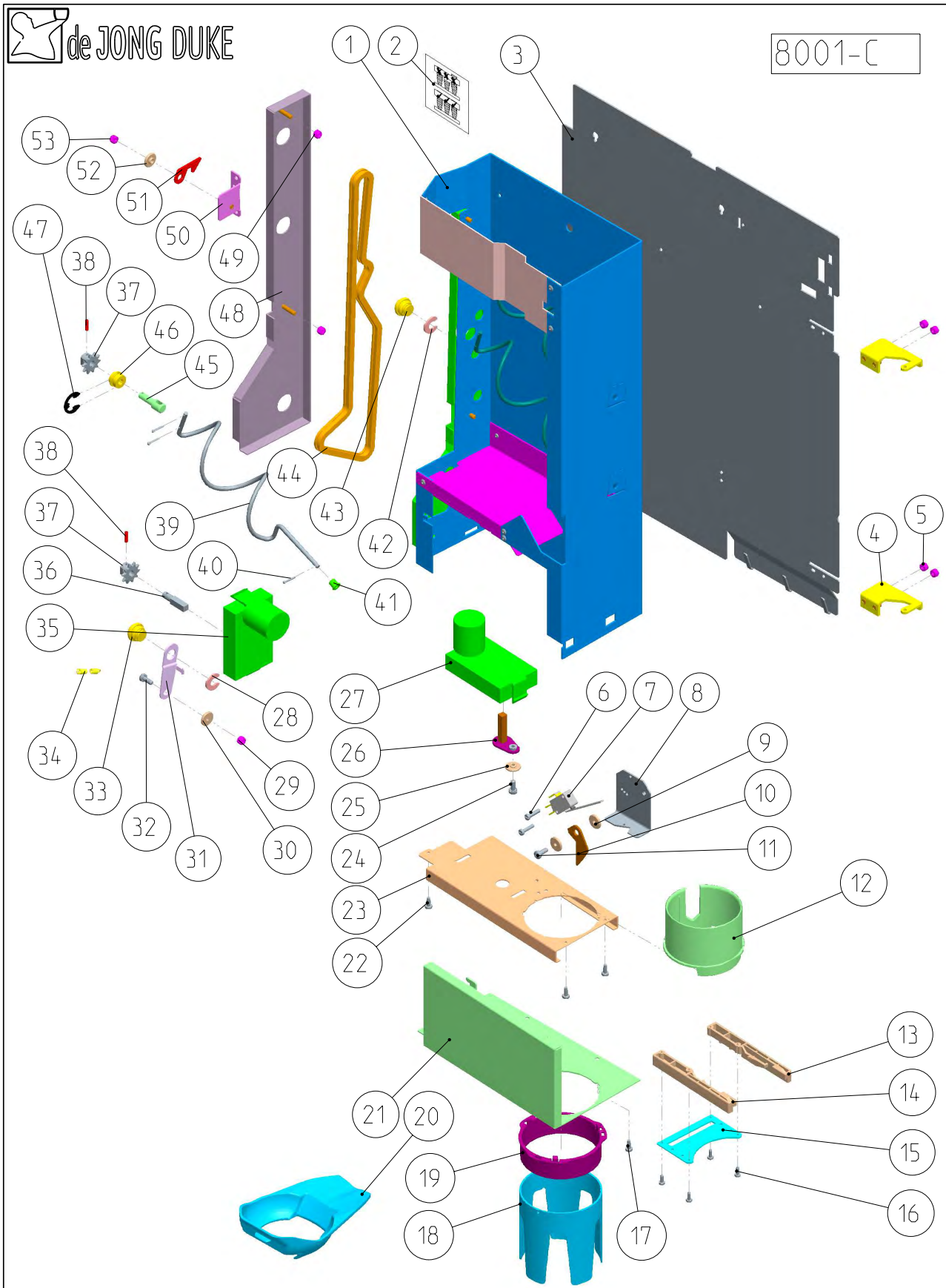
- Part numbers marked with "SE" are Service parts Engineer stock
- Part numbers marked with "SW" are Service parts Warehouse stock
- Part numbers marked with "n/a" are Not Available as spare part
- De Jong Duke recommends to have service parts available on local (SW) or car (SE) stock.

7603-A

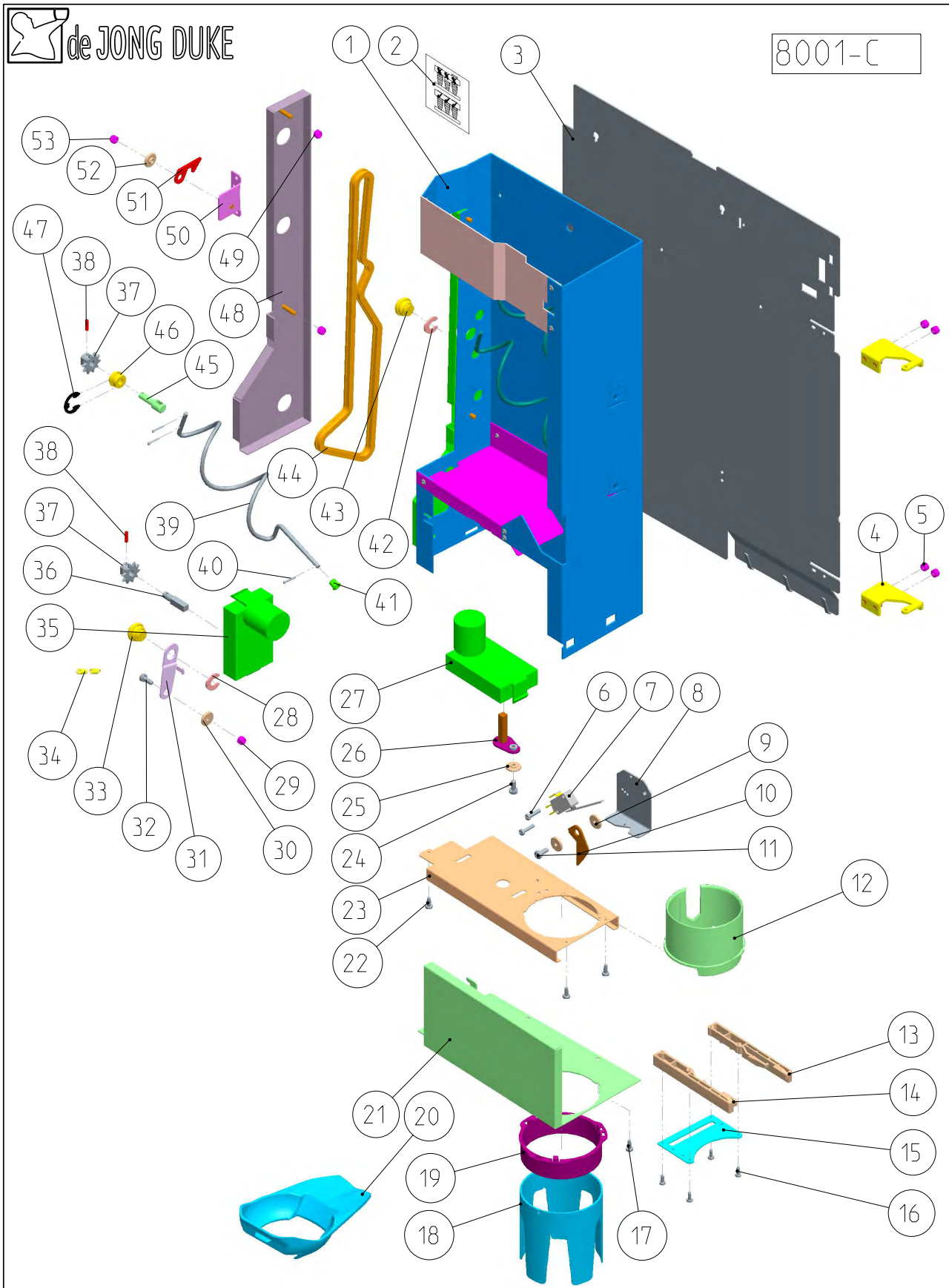


<i>Drawing</i>	<i>Pos</i>	<i>S</i>	<i>Part Nr</i>	<i>Qty</i>	<i>Spare Part Description</i>
7603-A	01		5KAF116	1	Protective Fan Grid
7603-A	02	SW	4EVT004	1	Fan motor 24V
7603-A	03		5KAF115	1	Fan housing
7603-A	04		4XSL030	1	Hose black Di=32mm
7603-A	05		5KPF002	1	Adaptor straight D=32 mm.

- Part numbers marked with "SE" are Service parts Engineer stock
- Part numbers marked with "SW" are Service parts Warehouse stock
- Part numbers marked with "n/a" are Not Available as spare part
- De Jong Duke recommends to have service parts directly available on local or car stock.

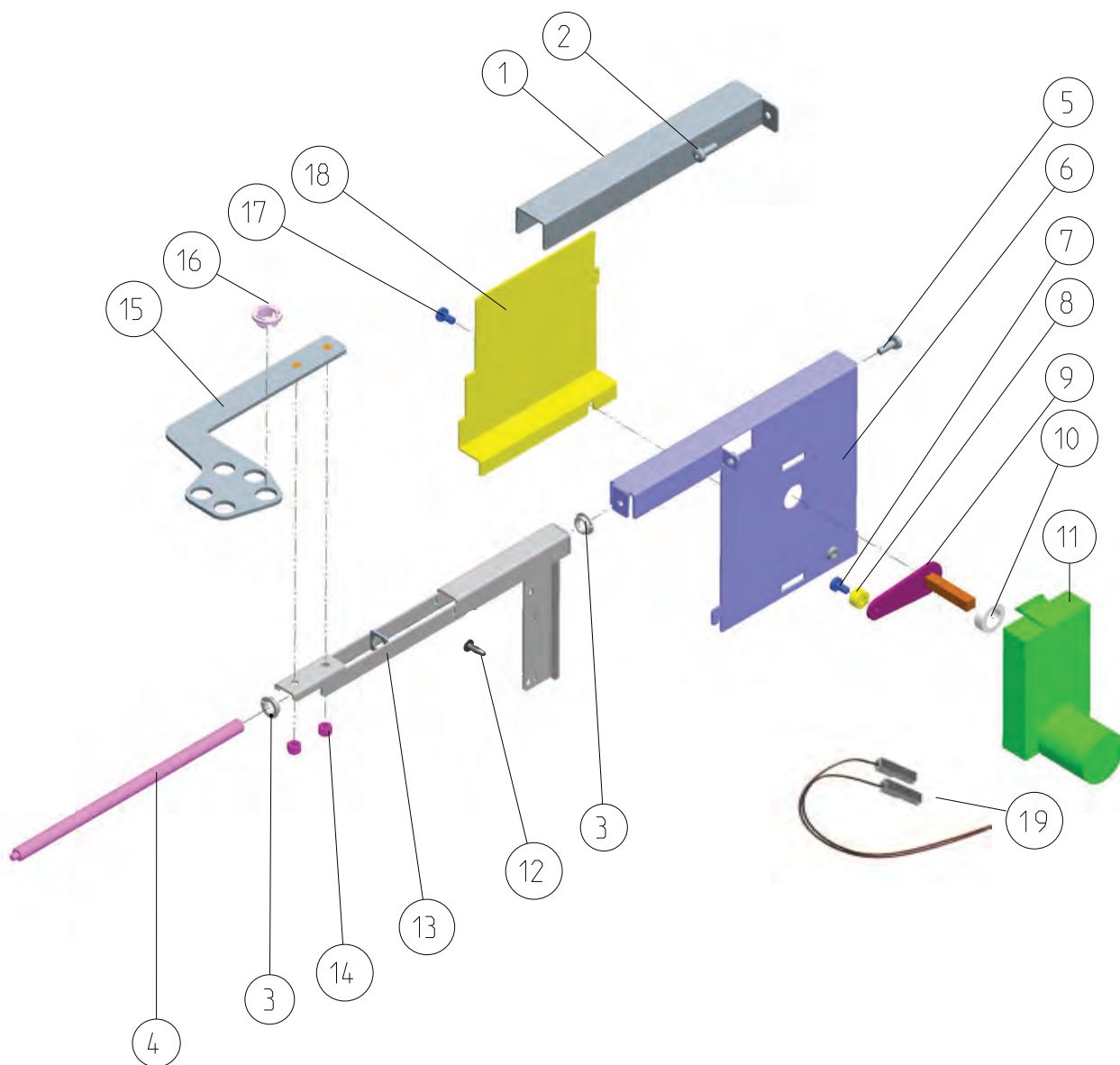


<i>Drawing</i>	<i>Pos</i>	<i>S</i>	<i>Part Nr</i>	<i>Qty</i>	<i>Spare Part Description</i>
8001-C		SW	6BMB030		Cup mechanism assembly 70mm cups <i>for MoVeC ICEQ</i>
8001-C		SW	6BMB031		Cup mechanism assembly 73mm cups <i>for MoVeC ICEQ</i>
8001-C		SW	9BMB016		Protection plate with cup guide <i>with items 18, 19, 21</i>
8001-C	01		6BMB027-KTL	1	Housing
8001-C	02		5TAB071	1	Sticker
8001-C	03		5MDR419-KTL	1	Main plate (Virtu / Zia)
8001-C	04		5MHS017-KTL	2	Hinge
8001-C	05		4BMZ011	4	Nut Lock M4
8001-C	06		4BBC007	2	Bolt M3x16
8001-C	07	SW	4ESK023	1	Micro switch
8001-C	08		5MBK059	1	Plate cup-micro switch
8001-C	09		5MLG002	1	Bearing
8001-C	10		5MBK060	1	Leveler micro switch
8001-C	11	SE	4BBK032	1	Bolt M4x10
8001-C	12		5KBK042	1	Cup ring (70mm cups)
8001-C	12		5KBK048	1	Cup ring (73mm cups)
8001-C	13		5KBK041	1	Cup splitter right
8001-C	14		5KBK040	1	Cup splitter left
8001-C	15		5MBK063	1	Connection plate cup splitter (70mm cups)
8001-C	15		5MBK086	1	Connection plate cup splitter (73mm cups)
8001-C	16		4BSC020	4	Screw 2,9x9,5 (stainless steel)
8001-C	17		4BSC022	2	Cutting screw 3.5x9.5
8001-C	18		5RVA018	1	Cup guide
8001-C	19		5KBK058	1	Cup guide holder <i>Added from S/N 201136.xxxxx.xxx</i>
8001-C	20	SW	5KBK043	1	Cup catcher (70mm cups)
8001-C	20	SW	5KBK051	1	Cup catcher (73mm cups)
8001-C	21		5MBK100-RAL	1	Protection plate cup splitter
8001-C	22		4BSC022	3	Cutting screw 3.5x9.5
8001-C	23		5MBK084	1	Baseplate (70mm cups)
8001-C	23		5MBK085	1	Baseplate (73mm cups)
8001-C	24	SE	4BBK032	1	Bolt M4x10
8001-C	25		5MLG002	1	Bearing
8001-C	26		6BMB018	1	Axis
8001-C	27	SW	4EMT023	1	Motor 24VDC



<i>Drawing</i>	<i>Pos</i>	<i>S</i>	<i>Part Nr</i>	<i>Qty</i>	<i>Spare Part Description</i>
8001-C			6CKB279	1	Cable for cup dispenser motor (pos 27)
8001-C	28		4BBG015	1	Lock ring
8001-C	29		4BMZ011	1	Nut Lock M4
8001-C	30		5MLG002	1	Bearing
8001-C	31		5MBK062	1	Chain plate
8001-C	32	SE	4BBK032	1	Bolt M4x12
8001-C	33		5MDF022	1	Chain wheel
8001-C	34		4MVR012	1	Spring 5x0,7x34,5
8001-C	35	SW	4EMT023	1	Motor 24VDC
8001-C			6CKB466	1	Cable for spiral motor (pos 35)
8001-C	36		5MDF019	1	Axis transport spiral
8001-C	37		BR63	1	Upper sprocket
8001-C	38	SE	4BPN006	1	Clamping bush 2.5x12
8001-C	39		5MBK036	2	Spiral for cup transport
8001-C	40		4BPN018	2	Spring pin 1,6x10
8001-C	41		5MDF021	2	Bearing
8001-C	42		4BBG015	2	Lock ring
8001-C	43		5MDF022	2	Chain wheel
8001-C	44		5MKT001	1	Chain short, including link
8001-C	45		5MDF017	1	Coupling spiral
8001-C	46		5MDF016	1	Bearing
8001-C	47		4BBG017	1	Lock ring
8001-C	48		5MBK090- RAL	1	Protection plate chain
8001-C	49		4BMZ003	2	Nut M4
8001-C	50		5MBK037	1	Door plate
8001-C	51		5MHS018	1	Lock plate
8001-C	52		5MLG002	1	Bearing
8001-C	53		4BMZ011	1	Nut Lock M4
8001-C			6CKB466	1	Cable for spiral motor <i>connected to item 35</i>
8001-C			6CKB279	1	Cable for cup dispenser motor <i>connected to item 27</i>
HISTORY					
8001-C	21		5MBK083- RAL		Protection plate cup splitter <i>Replaced by 5MBK100 from S/N 201136.xxxxx.xxx</i>









- Part numbers marked with "SE" are Service parts Engineer stock
- Part numbers marked with "SW" are Service parts Warehouse stock
- Part numbers marked with "n/a" are Not Available as spare part
- De Jong Duke recommends to have service parts available on local stock or car stock.


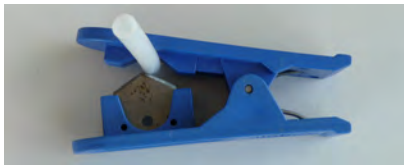




<i>Drawing</i>	<i>Pos</i>	<i>S</i>	<i>Part Nr</i>	<i>Qty</i>	<i>Spare Part Description</i>
8102-C		SW	6VUL056	1	Complete outlet mechanism assembly
8102-C	01		5MBK022	1	Upper plate outlet mechanism
8102-C	02		4BBK003		Bolt M4x8
8102-C	03	SE	4KLG012	2	Bearing
8102-C	04		5MDF015	1	Main axis
8102-C	05		4BBK032		Bolt M4x12
8102-C	06		5MBK068	1	Frame
8102-C	07		4BBK003		Bolt M4x8
8102-C	08		5KLG006	1	Bearing
8102-C	09		6VUL054	1	Axis
8102-C	10		4KAB030	1	Distance holder 11,2x18x6
8102-C	11	SE	4EMT023	1	Motor 24VDC
8102-C	12		4BKL025		Pushpin
8102-C	13	SE	6VUL061	1	Arm outlet mechanism
8102-C	14		4BMZ037	2	Lock nut M4
8102-C	15		5MBK073	1	Dispense arm 9CEC (CoEx)
8102-C	16	SE	5KVL041	5	Clamb ring outlet pipe
8102-C	17		4BBK003		Bolt M4x8 Stainless Steel
8102-C	18		5MBK066	1	Cover plate
8102-C	19		6CKB278	1	Cable for motor outlet mechanism (pos 11)
HISTORY					
8102-C	03	SE	4KLG009	2	Bearing <i>Replaced by 4KLG012 from S/N 2012.14.xxxxx.xxx Replace together with item 13</i>
8102-C	13	SE	6VUL055	1	Arm outlet mechanism <i>Replaced by 6VUL061 from S/N 2012.14.xxxxx.xxx Replace together with item 3</i>




- Part numbers marked with "SE" are Service parts Engineer stock
- Part numbers marked with "SW" are Service parts Warehouse stock
- Part numbers marked with "n/a" are Not Available as spare part
- De Jong Duke recommends to have service parts available on local (SW) or car (SE) stock.

Tool List General





Picture	Part Nr	Description
	n/a	EN Flat screwdriver
		DE Schlitz Schraubendreher
		NL Platte schroevendraaier
		0.5 / 3.0 / 10 mm
		0.8 / 4.0 / 20 mm
	n/a	EN Philips screwdriver
		DE Kreuzschlitzschraubendreher
		NL Kruiskop schroevendraaier
	n/a	EN Torx screwdriver
		DE Torx Schraubendreher
		NL Torx schroevendraaier
		Torx 15, 22 mm
	n/a	EN Socket screwdriver
		DE Steck Schlüsseldreher
		NL Dopsleutel
	n/a	EN Combination plier
		DE Kombinations-Zange
	n/a	EN Slip Joint Plier
		DE Wasserpumpen-Zange
		NL Waterpomptang
	n/a	EN Side Cutter
		DE Seiten Schneider
		NL Zijknijptang
	n/a	EN Knife
		DE Stanley Messer
		NL Stanley mes

Picture	Part Nr	Description	
	n/a	EN	Multimeter
		DE	Multimeter
		NL	Multimeter
	4HLP148	EN	Tube cutter
		DE	Schlauch abschneider
		NL	Slangknipper voor drukslang
	4HLP142	EN	Extraction tool <i>Mini Fit JR, 011030044</i>
		DE	Demontage Werkzeug <i>Mini Fit JR, 011030044</i>
		NL	Extraction tool <i>Mini Fit JR, 011030044</i>
	n/a	EN	Unlocking tool <i>John Guest ICLT/2</i>
		DE	Spann- und Lösehilfe <i>John Guest ICLT/2</i>
		NL	Slang-ontkoppel-set <i>John Guest ICLT/2</i>

Tool List for machines with UNI-brewer

Picture	Part Nr	Description	
	n/a	EN	Spanner Wrench
		DE	Ring-Maulschlüssel
		NL	Steeksleutel
	n/a	EN	Punch
		DE	Splinttreiber
		NL	Drevel
			3 mm 5 mm
	n/a	EN	Torgue wrench / screwdriver 1,8N/m
		DE	Torgue Schraubenschlüssel / Schraubendreher 1,8 N/m
		NL	Moment sleutel / schroevendraaier 1,8 N/m

Tool List for machines with CoEx brewers

Picture	Part Nr	Description	
	4HLP132	EN	Filter head cleaner
		DE	Filter Kopf Putzer
		NL	Filterkop reiniger
	4HLP143	EN	CoEx outlet cleaner brush
		DE	CoEx Ausgabe Reinigungsbürste
		NL	CoEx uitgifte reinigingsborstel
	4HLP157	EN	Spanner wrench 14mm <i>Modified for sensor cable</i>
		DE	Schlüssel 14mm <i>Für Sensorkabel modifiziert</i>
		NL	Ringsleutel 14mm <i>Aangepast voor sensor kabel</i>
	n/a	EN	Allen Wrench / Hex key 5 mm <i>For new banjo bolts</i>
		DE	Innensechkant-schlüssel 5 mm <i>Für neue Banjobolzen</i>
		NL	Inbussleutel 5 mm <i>Voor nieuwe banjo bouten</i>
	9VDG001	EN	Pressure-gauge <i>Manometer 0-2 bar</i>
		DE	Druckmesser <i>Manometer 0~2 bar</i>
		NL	Drukmeter <i>Manometer 0~2 bar</i>
	9VDG002	EN	Pressure-gauge <i>Manometer 0-16 bar</i>
		DE	Druckmesser <i>Manometer 0~16 bar</i>
		NL	Drukmeter <i>Manometer 0~16 bar</i>

Disclaimer Manufacturer

Although this manual has been put together with the utmost care, J.M. de Jong DUKE automatenfabriek b.v. accepts no liability for inaccuracies or omissions. No liability is accepted for the consequences arising from operation of the equipment in accordance with the information contained in this manual.

J.M. de Jong DUKE automatenfabriek b.v. reserves the right to alter specifications at any time and without prior notification to the purchaser.

All rights reserved.

Copyright

J.M. de Jong DUKE automatenfabriek b.v. © 2021

The contents of this manual are copyrighted. Texts, images, and source files may only be used for professional purposes.

No part of this guide may be reused, modified, or published without the prior written permission of the manufacturer.

Printing pages is allowed only for professional use.

Manufacturer






De Jong DUKE
Postbus 190
3360 AD SLIEDRECHT
The Netherlands

 +31 (0)184 209 767 (sales)
 +31 (0)184 209 609 (support)
 www.dejongduke.nl
 spareparts@dejongduke.nl
 support@dejongduke.nl



De Jong DUKE North America
12680 Delta Street
Taylor, MI, 48180
U.S.A.

 +1 734 403 1708
 www.dejongduke.com
 support@dejongduke.com

