

# Varea

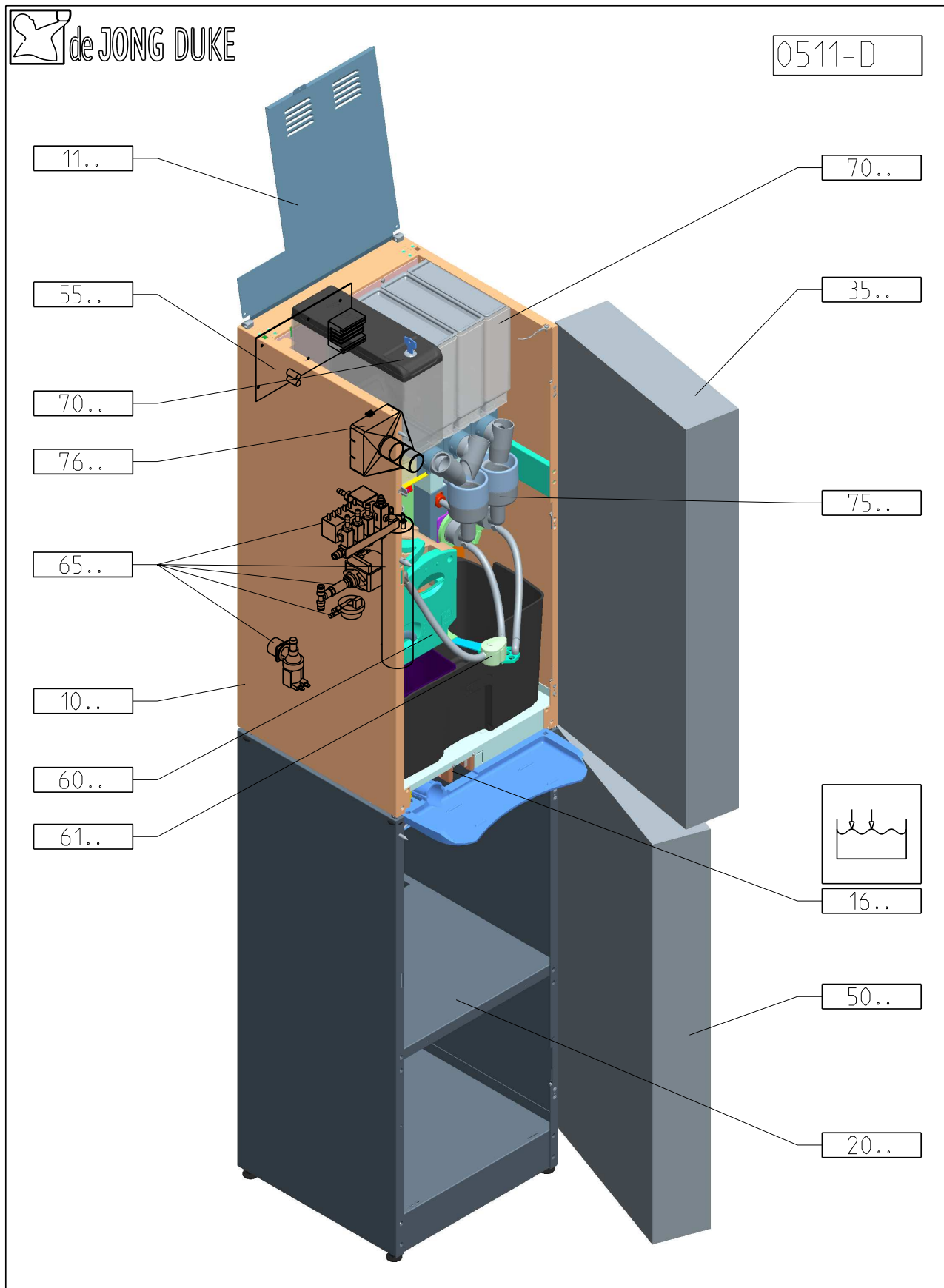
Spare Parts Manual

Coffee Machine

Varea 60 and 80 series

9CND with CoEx Brewer

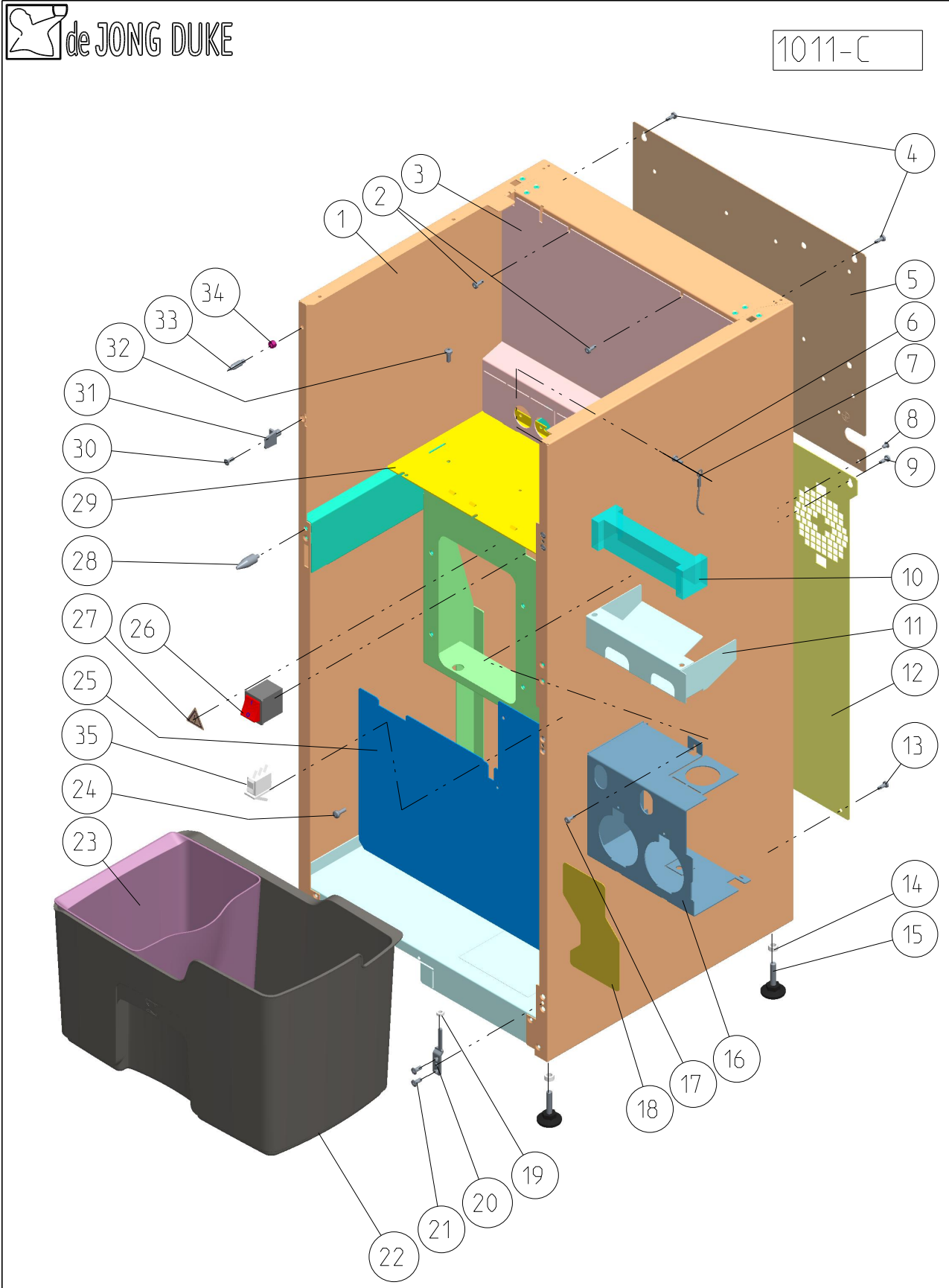




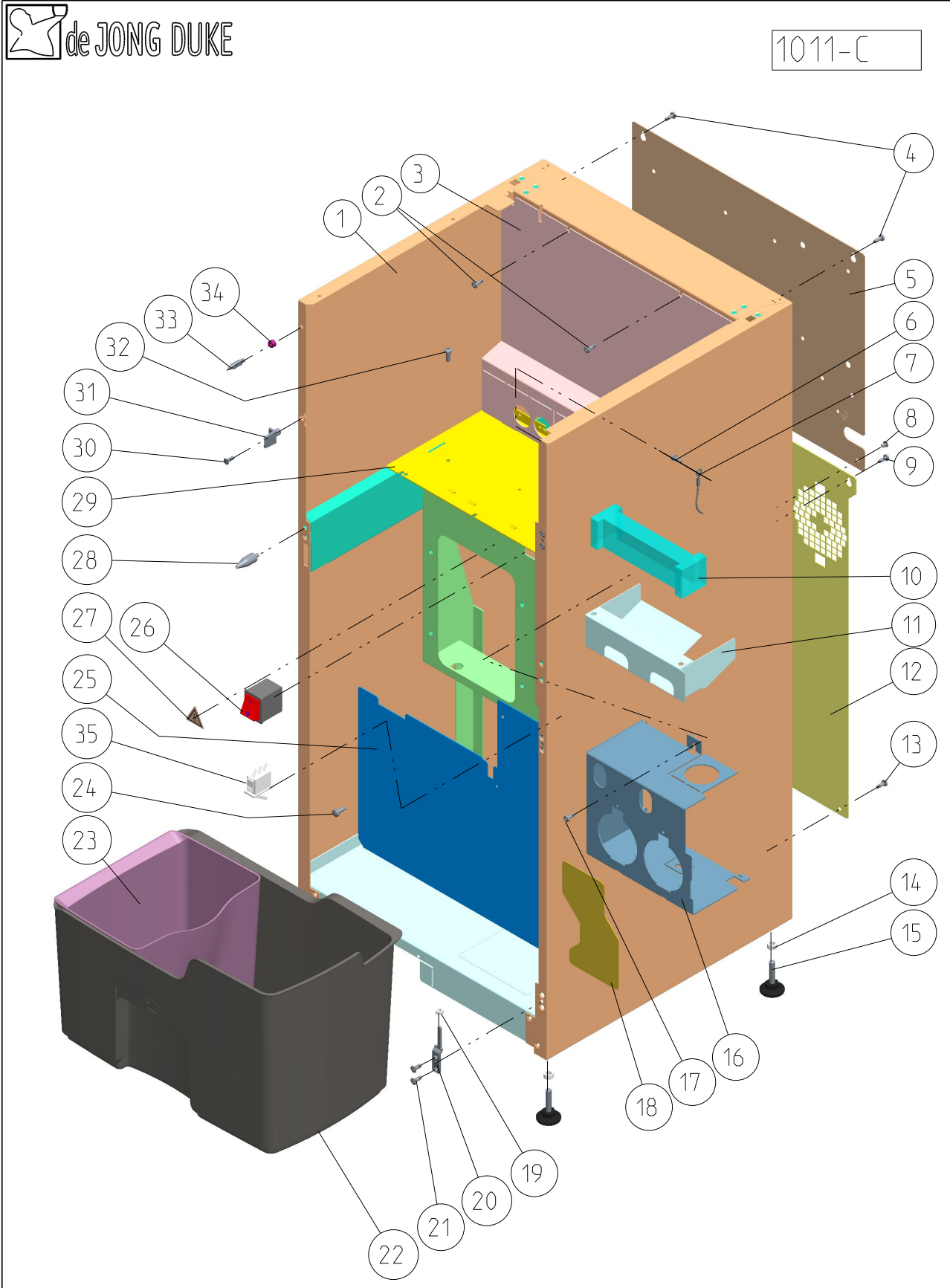


## ***Table of Contents***

0511 Overview 9CND - Varea 60-80.....	2
1011 Cabinet 9CND .....	4
1020 Cabinet 9CND 2015-NOW .....	8
1102 Lid Small.....	10
1603 Drip tray Sensor.....	12
1701 Fixed Waste Water Connection .....	14
2001 Base Cabinet Small.....	16
3522 Door Varea Small .....	18
4012 Display Virtu .....	22
4305 Cup Stand Small .....	26
4511 Coin Acceptor in Door .....	28
4515 Payment Unit .....	30
5007 Base Cabinet Door Small .....	34
5507 MoVeC ICEQ IOB and PSU.....	36
5515 MoVeC ICEQ2 Controller Board .....	38
6003 CoEx Brewer Overview .....	42
60031 CoEx Brewer Motor Assembly .....	44
60032 CoEx Brewer Assembly .....	46
6106 CoEx Brewer Outlet .....	50
6503 Pressure Boiler 9CND .....	54
6503 Pressure Boiler PPSU 9CND .....	58
6504 Steam Boiler 9CND FM .....	62
6601 Valves Metal 9CND.....	66
6604 Valves PPSU 9CND.....	70
7010 Canister Complete 9CND .....	72
70101 Canister Body.....	80
70102 Canister Wheel and Spring .....	82
70103 Canister Base.....	84
7014 Bean Canister in Door (with S-grinder) .....	86
7014 Bean Canister in Door (with D-grinder).....	90
7015 Bean Canister .....	92
7102 S-Grinder T0-T1 .....	94
7103 D-Grinder Assembly.....	98
7104 D-Grinder.....	100
7302 Fresh Milk Pump.....	102
7503 Mixer System .....	104
7602 Fan.....	106

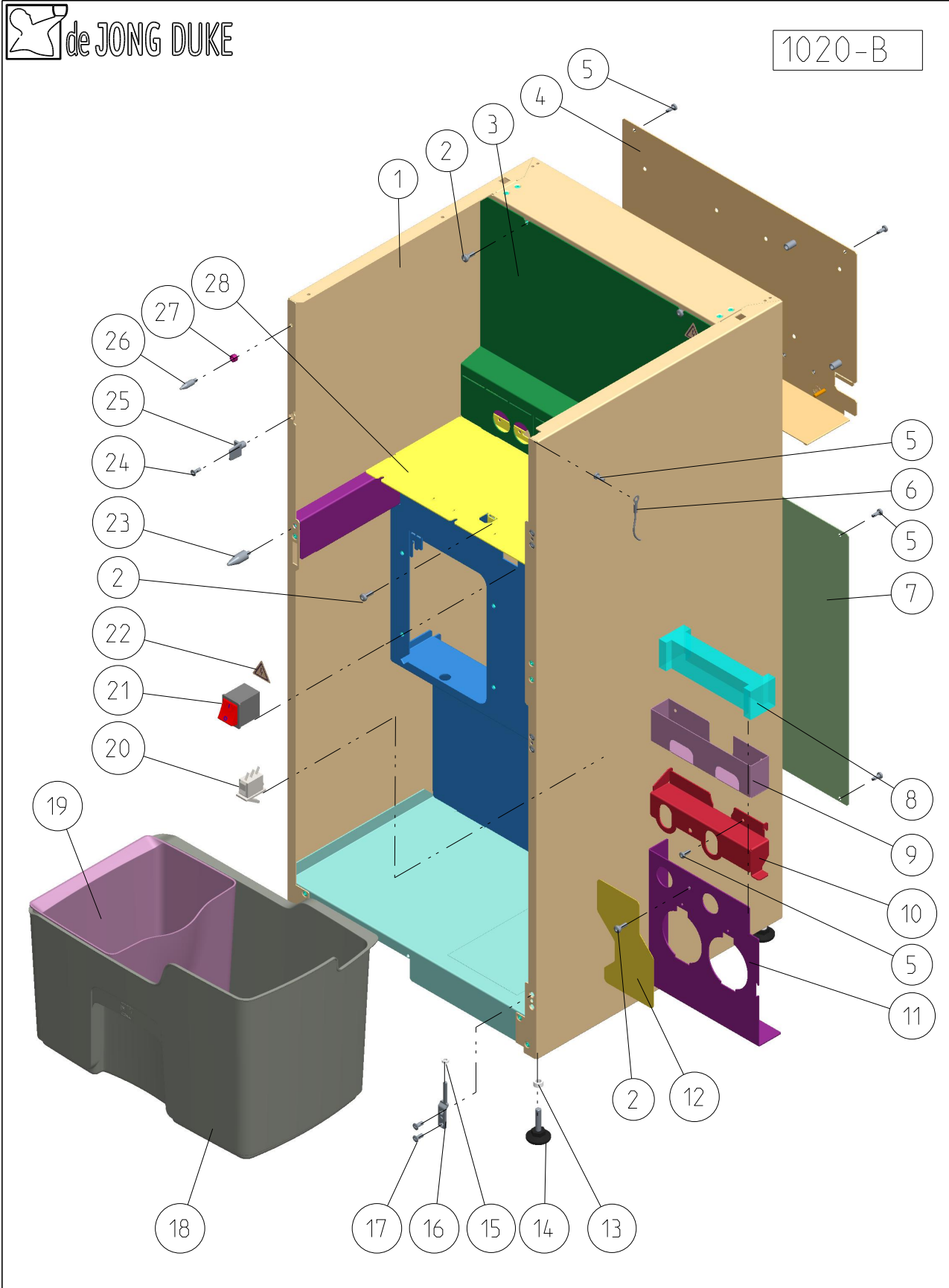


<i>Drawing</i>	<i>Pos</i>	<i>S</i>	<i>Part Nr</i>	<i>Qty</i>	<i>Spare Part Description</i>
<b>1011-C</b>			<b>NOTE:</b>		<b>9CND Cabinet replaced by drawing 1020</b>
					<i>from S/N 2015.51.xxxx.001 see also Information Bulletin SIB-20160301</i>
1011-C	01		6HKA034	1	Cabinet 9CND machine
1011-C	02		4BSC022	2	Cutting screw 3.5x9.5
1011-C	03		5MBH298	1	Canister backplate 9CND
1011-C	04		4BSC022	2	Cutting screw 3.5x9.5
1011-C	05		5MBH196	1	Backplate top for electronic parts
1011-C	06		4BSC022	1	Cutting screw 3.5x9.5
1011-C	07		6CKB436	1	Ground wire
1011-C	07		KA338	1	Earth litz
1011-C	08		4BKL004	2	Blind Rivet
1011-C	09		4BSC022	2	Cutting screw 3.5x9.5
1011-C	10		5KAF059	1	Suction filter
1011-C	11		5MAF066	1	Extraction drawer plate
1011-C	12		5MBH197	1	Backplate under
1011-C	13		4BSC022	2	Cutting screw 3.5x9.5
1011-C	14		4KAB008	4	Spacer 6.2x10x5
1011-C	15		KA23	4	Feet
1011-C	16		5MMX029	1	Mixer box 9CND
1011-C	17	SE	4BBK032	1	Bolt M4x12
1011-C	18		5KFR041	1	Cover plate mixer mounting
1011-C	19		4KAB002	1	Spacer 4.2x8x3
1011-C	19		4KAB021	1	Adaptor 4.3x7x2.3
1011-C	20		5MHS015	2	Hinge
1011-C	21		4BBK011	4	Bolt M4x10
1011-C	22		5KAF085	1	Waste Guide (option)
1011-C	22		5KAF117	1	Waste bucket 9CND (180 consumptions)
1011-C	23	SW	5KAF118	1	Drip tray under CoEx-brewer 9CND
1011-C	24	SE	4BBK032	1	Bolt M4x12
1011-C	25		5MBH200-KTL	1	Protection plate under
1011-C	26	SW	4ESK020	1	Main switch + red led
1011-C	27		5TAB020	1	Sticker Electrical / Safety
1011-C	28		5MDF032	1	Door pin Torx
1011-C	29		5MBH199-RAL	1	Groundplate cannisters
1011-C	30		4BSC052	1	Screw 3,5x10 Tx15
1011-C	31	SW	5KDS039	1	Ratched Door Switch ICEQ



<i>Drawing</i>	<i>Pos</i>	<i>S</i>	<i>Part Nr</i>	<i>Qty</i>	<i>Spare Part Description</i>
1011-C	32	SE	4BBK032	2	Bolt M4x12
1011-C	33		5MDF011	1	Door pin
1011-C	34		4BMZ011	1	Nut Lock M4
1011-C	35		4ESK041	1	Switch - Waste bucket detector
<b>HISTORY</b>					
1011-C	22	SW	5KAF077	1	Waste bucket 9CND (130 consumptions) <i>Replaced by 5KAF117 from S/N 201301.xxxxx.001</i>
1011-C	23	SW	5KAF090	1	Drip tray under CoEx-brewer 9CND/9CEC <i>Replaced by 5KAF118 from S/N 201301.xxxxx.001</i>

- Part numbers marked with "SE" are Service parts Engineer stock
- Part numbers marked with "SW" are Service parts Warehouse stock
- Part numbers marked with "n/a" are Not Available as spare part
- De Jong Duke recommends to have service parts available locally (SW) or as car stock (SE).

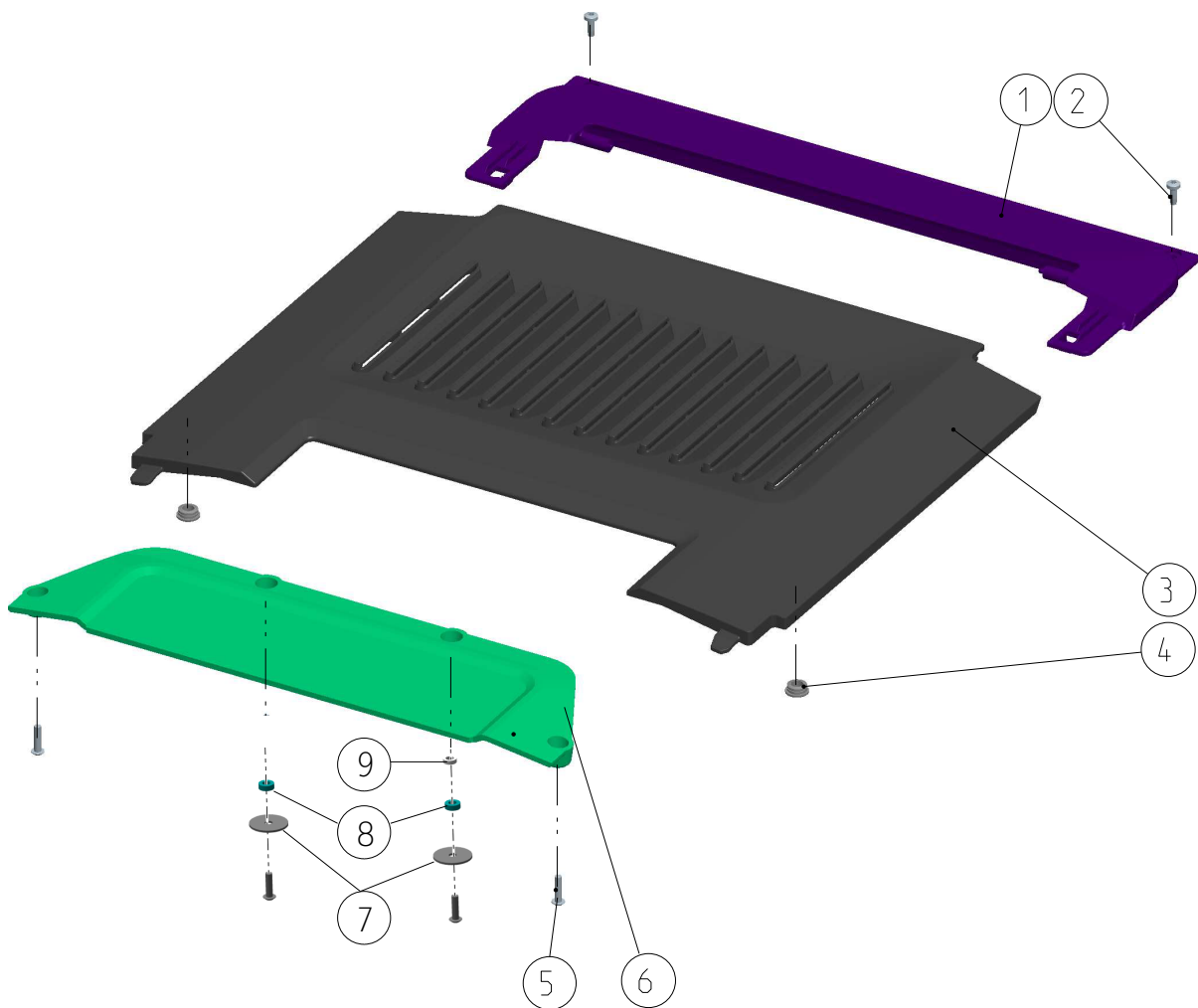




<i>Drawing</i>	<i>Pos</i>	<i>S</i>	<i>Part Nr</i>	<i>Qty</i>	<i>Spare Part Description</i>
<b>1020-B</b>			<b>NOTE:</b>		<b>New 9CND Cabinet from S/N 2015.51.xxxx.001</b>
					<i>See drawing 1011 for old 9CND Cabinet</i>
1020-B	01		6HKA052	1	Cabinet 9CND machine
1020-B	02		4BBK032	4	Bolt with lock washer M4x12
1020-B	03		5MBH348	1	Canister backplate 9CND
1020-B	04		5MBH328	1	Backplate top for electronic parts
1020-B	05		4BSC022	8	Cutting screw 3.5x9.5
1020-B	06		KA338	1	Ground wire
1020-B	07		5MBH329	1	Lower backplate
1020-B	08		5KAF059	1	Suction filter
1020-B	09		5MAF085	1	Suction filter drawer
1020-B	10		5MAF089	1	Bracket Suction
1020-B	11		5MMX044	1	Mixer mounting bracket 9CND
1020-B	12		5KFR003	1	Cover plate mixer mounting
1020-B	13		4KAB008	4	Spacer 6.2x10x5
1020-B	14		KA23	4	Feet
1020-B	15		4KAB002	1	Spacer 4.2x8x2.3
1020-B	15		4KAB021	1	Spacer 4.3x7x2.3
1020-B	16		5MHS015	2	Hinge
1020-B	17		4BBK037	4	Bolt M4x6
1020-B	18		5KAF117	1	Waste bucket CoEx-brewer 9CND (180con.)
1020-B	18		5KAF085	1	Waste Guide (option) <i>Replacement procedure:</i> <b>Remove:</b> - 5KAF117 Waste bucket - 5KAF118 Drip tray under CoEx brewer (pos 19) - 6CSS055 Drip tray sensor short (drawing 60031) <b>Install:</b> - 5KAF090 - Drip tray under CoEx brewer - 6CSS047 - Drip tray sensor 11cm long (drawing 60031) - 5KAF085 - Waste guide
1020-B	19	SW	5KAF118	1	Drip tray under CoEx-brewer 9CND
1020-B	20		4ESK041	1	Waste bucket detector switch
1020-B	21	SW	4ESK020	1	Main switch 16A + red led
1020-B	22		5TAB020	1	Sticker Electrical / Safety
1020-B	23		5MDF030	1	Door pin Torx
1020-B	24		4BSC052	1	Screw 3,5x10 Tx15
1020-B	25	SW	5KDS039	1	Door Switch activator
1020-B	26		5MDF011	1	Door pin
1020-B	27		4BMZ011	1	Nut Lock M4
1020-B	28		5MBH335- RAL9005	1	Groundplate canisters



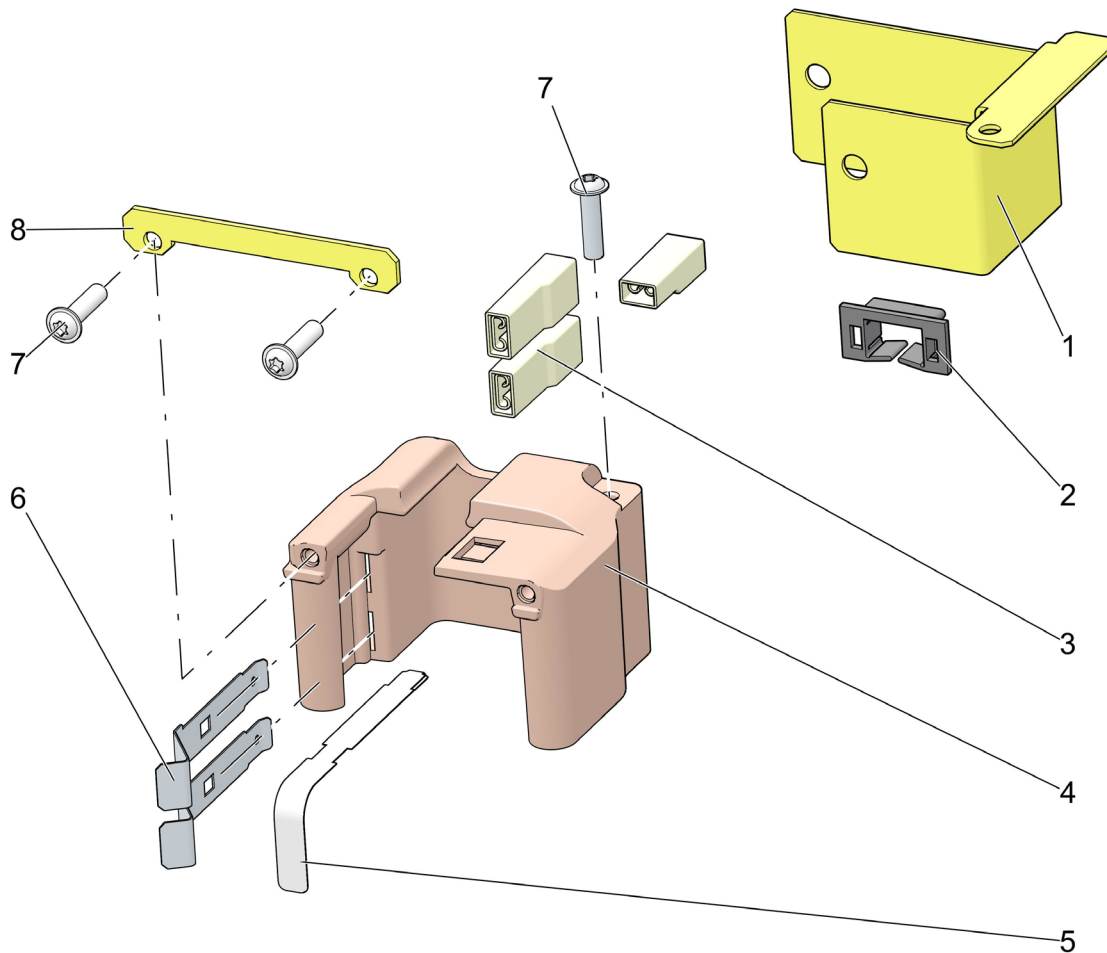
1102-A



<b>Drawing</b>	<b>Pos</b>	<b>S</b>	<b>Part Nr</b>	<b>Qty</b>	<b>Spare Part Description</b>
1102-A			9HKA021		Lid no bean canister (assembled) <i>with items 01, 02, 03 [5KBH008], 04</i>
1102-A			9HKA022		Lid one bean canister (assembled) <i>with items 01, 02, 03 [6HKA046], 04, 05, 06, 07, 08</i>
1102-A			9HKA023		Lid two bean canisters (assembled) <i>with items 01, 02, 03 [6HKA047], 04, 05, 06, 07, 08, 09</i>
1102-A	01		5KBH011-11194	1	Fixation for lid
1102-A	02	SE	4BSC022	2	Cutting screw 3.5x9.5
1102-A	03		5KBH008-11194	1	Lid
1102-A	03		6HKA046-11194	1	Lid for 1 bean canister in cabinet <i>use items 7 + 8 for lid support</i>
1102-A	03		6HKA047-11194	1	Lid for 2 bean canisters in cabinet <i>use items 7 + 8 + 9 for lid support</i>
1102-A	04	SW	5RDK003	2	Protection nozzle machine lid
1102-A	05	SE	4BSC036	4	Screw torx 3,5x13,5
1102-A	06		5KBH010-HELDER	1	Frontpart lid transparent
1102-A	06		5KBH010-ROOK	1	Frontpart lid smoke color
1102-A	06		6HKA048-ROOK	1	Frontpart lid smoke color for 1 bean canister in cabinet
1102-A	06		6HKA049-ROOK	1	Frontpart lid smoke color for 2 bean canisters in cabinet
1102-A	07		4BPR043	1	O-ring M4x30x1.2 - top lid support
1102-A	08		4KAB002	1	Spacer - 4.2 x 8 x 3 PA66 - top lid support
1102-A	09		4KAB021	1	Spacer - 4.3 x 7 x 2.3 - top lid support
<b>HISTORY</b>					
1102-A	01		<del>5KBH009-11194</del>	1	Fixation for lid <i>replaced by 5KBH011</i>

- Part numbers marked with "SE" are Service parts Engineer stock
- Part numbers marked with "SW" are Service parts Warehouse stock
- Part numbers marked with "n/a" are Not Available as spare part
- De Jong Duke recommends to have service parts directly available on local or car stock.

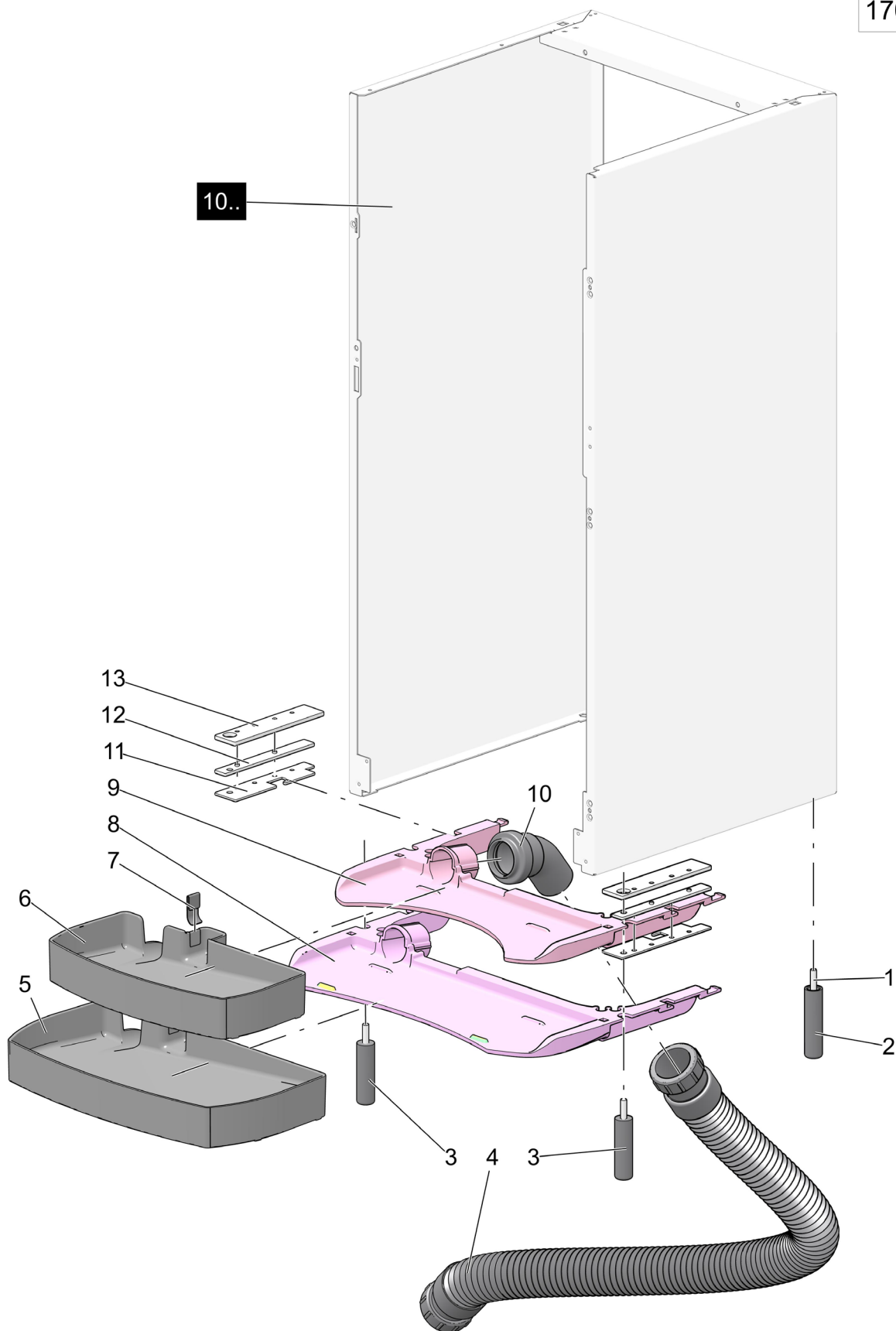
1603-C



<i>Drawing</i>	<i>Pos</i>	<i>S</i>	<i>Part Nr</i>	<i>Qty</i>	<i>Spare Part Description</i>
					<b>SETS</b>
1603-C		SW	6CSS060		Drip tray connector assembly <i>with items 3, 4, 5, 6</i>
1603-C		SW	6CSS067		Drip tray connector assembly Nio <i>with items 1, 2, 3, 4, 5, 6, 7, 8</i>
					<b>PARTS</b>
1603-C	01		5MAF101- RAL9005	1	Back bracket - powder coated <i>(Nio only)</i>
1603-C	02		4BKM053	1	Cable saddle edge mount <i>(Nio only)</i>
1603-C	03		6CKB456	1	Cable
1603-C	04		5KAF135	1	Sensor housing <i>NOTE: only use in combination with 5MVR046</i>
1603-C	05		5MVR046	1	Connector clip <i>NOTE: only use in combination with 5KAF135</i>
1603-C	06		5MVR030	2	Side spring connector
1603-C	07		4BSC036	2	Screw torx 3.5x13.5
1603-C	08		5MVL214	1	Front bracket <i>(Nio only)</i>
					<b>HISTORY</b>
1603-B		SW	<del>6CSS042</del>		Drip tray connector assembly <i>Replaced by 6CSS060 from S/N 2017.11.xxxx.001</i>
1603-B	01		5MAF101	1	Back bracket - untreated <i>Replaced by 5MAF101-RAL9005 from S/N 2020.04.6766.001</i>
1603-B	04		5KAF114	1	Sensor housing <i>Replaced by 5KAF135 from S/N 2017.11.xxxx.001</i>
1603-B	05		5MVR033	1	Connector clip <i>Replaced by 5MVR046 from S/N 2017.11.xxxx.001</i>

- Part numbers marked with "SE" are Service parts Engineer stock
- Part numbers marked with "SW" are Service parts Warehouse stock
- Part numbers marked with "n/a" are Not Available as spare part
- De Jong Duke recommends to have service parts available on local stock or car stock.

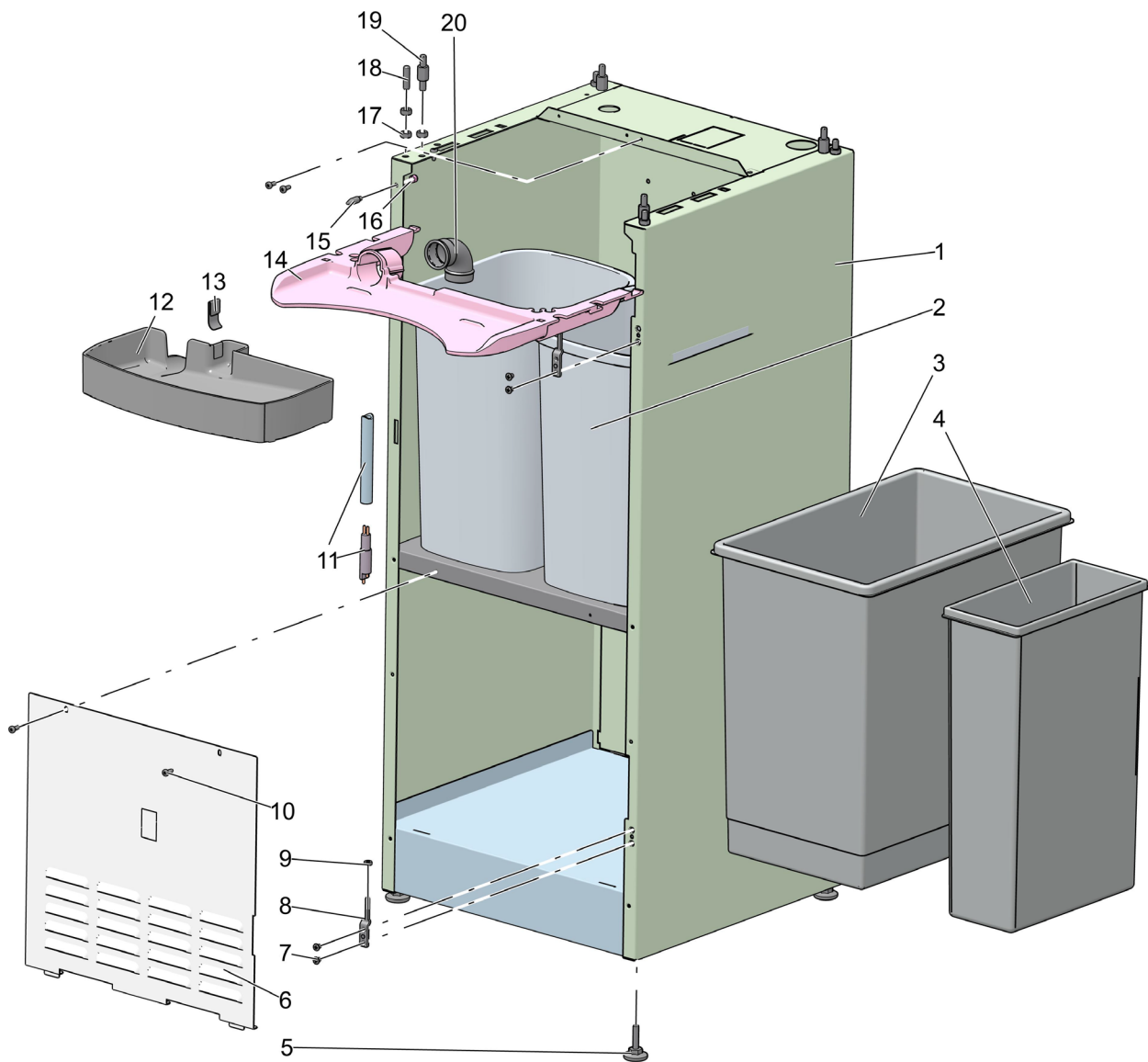
1701-A



<b>Drawing</b>	<b>Pos</b>	<b>S</b>	<b>Part Nr</b>	<b>Qty</b>	<b>Spare Part Description</b>
					<b>REFERENCES</b>
10..					Refer to drawings: Cabinets Small and Medium except Nio cabinets , FEC and IEA cabinets
					<b>SETS</b>
1701-A			9AOV026		Fixed Waste Water Connection Set Small with items 1, 2, 3, 4, 6, 9, 10, 11, 12, 13
1701-A			9AOV027		Fixed Waste Water Connection Set Medium with items 1, 2, 3, 4, 5, 8, 10, 11, 12, 13 <b>Only for CoEx and CoEx XL cabinets!</b>
					<b>PARTS</b>
1701-A	01		4BBY032	4	Threaded rod M6x30 (Stainless Steel)
1701-A	02		5BAF006	2	Frame feet back (B - 74mm)
1701-A	03		5BAF005	2	Frame feet front (F - 65mm)
1701-A	04		4KPF058	1	Drain hose 2x40mm cuff seal length=90cm
1701-A	05	SW	5KAF108	1	Drip tray waste guide for medium cabinet
1701-A	06	SW	5KAF106	1	Drip tray waste guide for small cabinet
1701-A	07	SW	5MVR031	1	Spring clip drip tray
1701-A	08	SW	5KAF109	1	Base plate drip tray for medium cabinet
1701-A	09	SW	5KAF107	1	Base plate drip tray for small cabinet
1701-A	10		4KPF057	1	Knee 45° cuff seal
1701-A	11		5MAF109	2	Lower bracket
1701-A	12		5MAF110	2	Middle bracket
1701-A	13		5MAF111	2	Upper bracket
					<b>HISTORY</b>

- Part numbers marked with "SE" are Service parts Engineer stock
- Part numbers marked with "SW" are Service parts Warehouse stock
- Part numbers marked with "n/a" are Not Available as spare part
- De Jong Duke recommends to have service parts available on local stock or car stock.

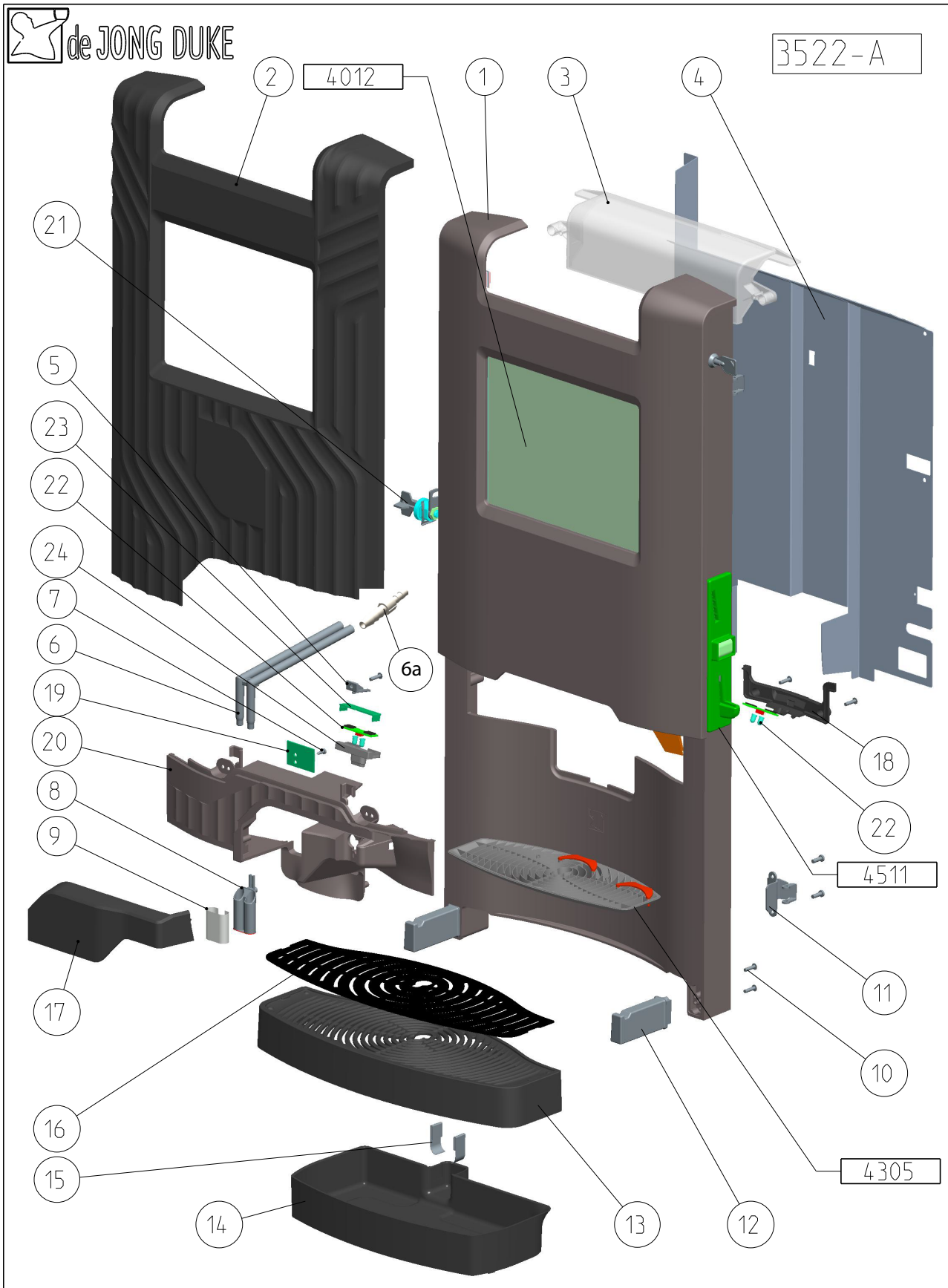
2001-E



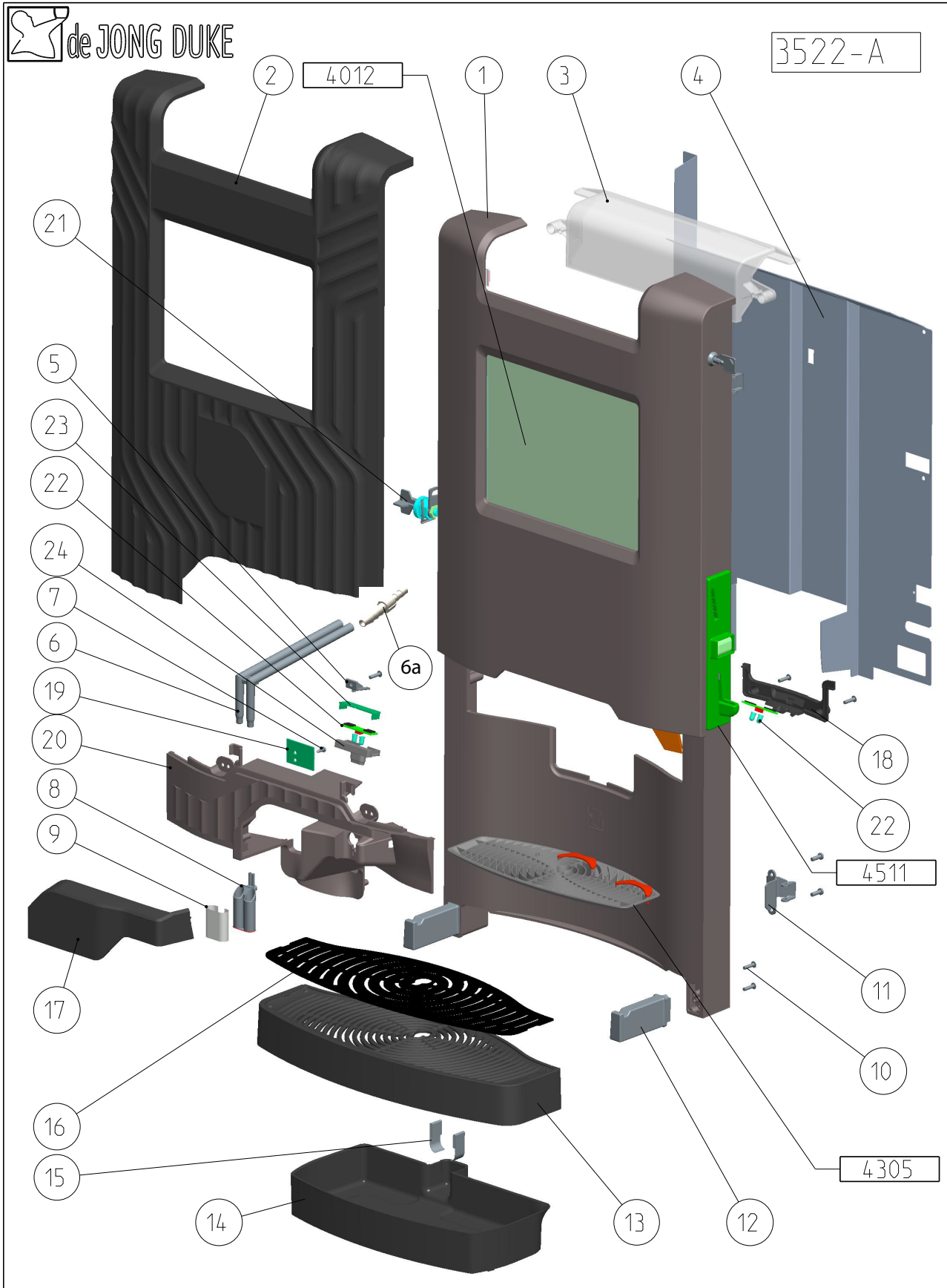


<i>Drawing</i>	<i>Pos</i>	<i>S</i>	<i>Part Nr</i>	<i>Qty</i>	<i>Spare Part Description</i>
					<b>SETS</b>
2001-E	12		9AOV011	1	Drip tray for waste guide for base cabinet small <i>with item 12, 13, 20</i>
					<b>PARTS</b>
2001-E	01		6HKA011-RAL9005	1	Base cabinet small
2001-E	02		4KAF007	1	Waste bin 9L
2001-E	03		4KAF008	1	Waste bin 24L
2001-E	04		4KAF006	1	Waste bin 7L
2001-E	05		KA23	4	Feet
2001-E	06		5MPL168-KTL	1	Cover for cooling unit in base cabinet small <i>Used in production from 2022.12.xxxx.xxx With flush button cut-out in the middle</i>
2001-E	07		4BBK037	4	Bolt M4x6
2001-E	08		5MHS015	2	Hinge
2001-E	09		4KAB002	1	Distance holder 4.2x8x3
2001-E	10		4BSC022	2	Cutting screw 3.5x9.5
2001-E	11		6CSS043	1	Drip tray/waste bucket sensor with connector <i>for all models except Siro Touch</i>
2001-E	12		5KAF106	1	Drip tray for waste water guide <i>for all models except Siro Touch</i>
2001-E	13		5MVR031	1	Spring clip drip tray
2001-E	14		5KAF107	1	Base plate drip tray small <i>for all models except Siro Touch</i>
2001-E	15		5MDF011	1	Door pin
2001-E	16		4BMZ011	1	Nut Lock M4
2001-E	17		4BMZ007	8	Nut M6
2001-E	18		4BBY022	4	Distance holder screw M6x25
2001-E	19		5BBZ008	4	Distance holder <i>for 9XNA, 9XEA, 9INB, 9IEA and 9FND (all for s/n &lt; 2011.12.xxxx.xxx)</i>
2001-E	20		4KPF006	1	Knee 90deg 40mm PP
					<b>HISTORY</b>
2001-E	06		5MPL152-KTL	1	Cover for cooling unit in base cabinet small <i>Used in production until 2022.12.xxxx.xxx With flush button cut-out in bottom right corner</i>

- Part numbers marked with "SE" are Service parts Engineer stock
- Part numbers marked with "SW" are Service parts Warehouse stock
- Part numbers marked with "n/a" are Not Available as spare part
- De Jong Duke recommends to have service parts available on local (SW) or car (SE) stock.



<b>Drawing</b>	<b>Pos</b>	<b>S</b>	<b>Part Nr</b>	<b>Qty</b>	<b>Spare Part Description</b>
4012					Refer to drawing 4012 Display Virtu
4305					Refer to drawing 4305 Cup Stand Small
4511					Refer to drawing 4511 Coin Acceptor Set Virtu
3522-A		SE	6CSS052	1	Cup sensor back complete <i>with items 22, 23, 24</i>
3522-A	01		5KDR036-11194	1	Door Virtu Small
3522-A	01		5KDR041		Cover plate acceptor Virtu T0
3522-A	02		5KFR050	1	Front plate Varea Small
3522-A	02		5KFR050-495A2	1	Front plate Varea Small white
3522-A	02		5KFR050-626G5	1	Front plate Varea Small black
3522-A	03		5KDR049	1	Window upper part door (transparent)
3522-A	03		5KDR049-11194	1	Window upper part door (grey)
3522-A	03		5KDR049-COLOR	1	Window upper part door
3522-A	04		5MDR424-RAL9005	1	Cover inside Virtu Small door
3522-A	05		5KDR081	1	Cover hot water pipe Varea Small
3522-A	06	SE	5RSL008	1	Hot water tube Virtu Small
3522-A	6a		4KVL031	1	Hose adapter sl4-sl6
3522-A	07		4BSC019	1	Sheet metal screw 2.9x6.5
3522-A	07		4BSC020	1	Screw 2,9x9,5
3522-A	08		5KDR080	1	Hot water outlet Varea Small
3522-A	09		5MVR044	1	Holder for hot water outlet Varea Small
3522-A	10		4BSC036	6	Screw torx 3,5x13,5
3522-A	11	SE	5MHS012	3	Door hinge
3522-A	12	SW	5KAF104	1	Drip tray Guide in door
3522-A	13	SW	5KAF105	1	Drip tray grid Virtu Small (5KAF105B)
3522-A	14	SW	6AOV030	1	Drip tray Virtu Small assembly
3522-A	14		5KAF101	1	Drip tray Virtu Small
3522-A	15	SW	5MVR031	2	Drip tray spring clip
3522-A	16		n/a	1	Drip tray (Stainless steel)
3522-A	17		5KDR079-495A2	1	Dispense front Varea Small - White
3522-A	17		5KDR079-626G5	1	Dispense front Varea Small - Black

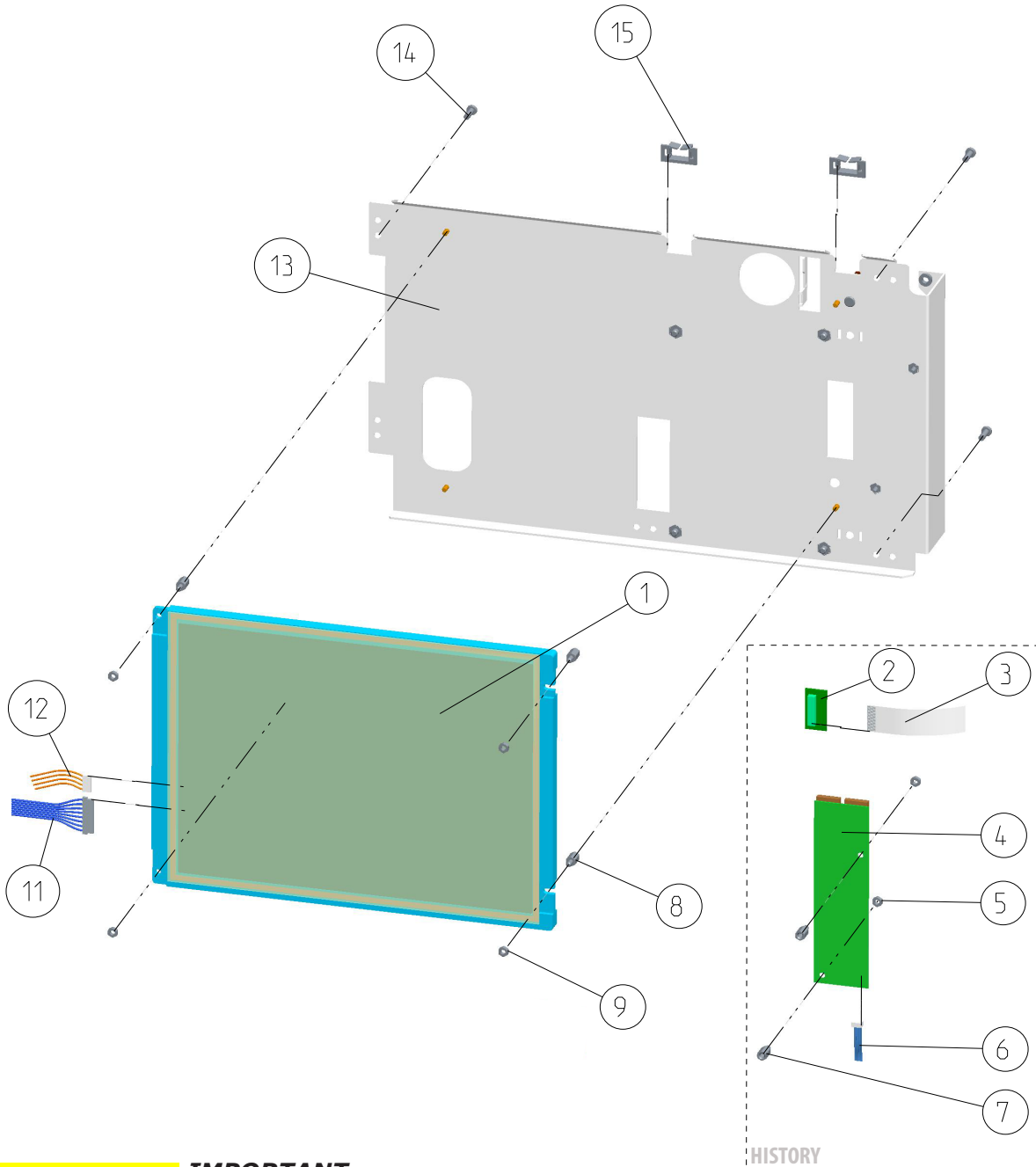


<b>Drawing</b>	<b>Pos</b>	<b>S</b>	<b>Part Nr</b>	<b>Qty</b>	<b>Spare Part Description</b>
3522-A	18		5KDR078	2	Sensor cover centralised Varea Small
3522-A	19	SW	5EPR125	1	IRDA board
3522-A	20		5KDR077	1	Outlet insert part in Varea Small
3522-A	21	SW	9HDR078	1	Lock with clip (large hook) and key <i>note: key <b>NOT</b> identical to 4MHS026 key</i>
3522-A	22	SW	5EPR133	n	Cup sensor MoVeC ICEQ
3522-A	23		5KBK068	n	Cup sensor back <i>Note: 5KBK068 will only fit on 5KBK067. If the machine serial number is lower than 2020.19.xxxx.001 order 5KBK067 as well</i>
3522-A	24		5KBK067	n	Cup sensor front <i>Note: 5KBK067 will only fit on 5KBK068. If the machine serial number is lower than 2020.19.xxxx.001 order 5KBK068 as well</i>
<b>Optional parts</b>					
3522-A	14	SW	9AOV011	1	Drip tray Virtu Small assembly for fixed drain
		SW	5KAF106	1	Drip tray Virtu Small for drain option
			4KPF006	1	Drain tube
		SW	5MVR031	2	Drip tray spring clip
<b>HISTORY</b>					
3522-A	16		<del>5MAF081</del>	1	Drip tray (Stainless steel) <i>Not available</i>
3522-A	21	SW	<del>4MHS026</del>	1	Lock with clip (large hook) <i>Replaced by 9HDR078 2016.05.xxxx.001</i>
3522-A	23		5KBK060	n	Cup sensor back <i>replaced by 5KBK068 2020.19.xxxx.001</i>
3522-A	24		5KBK059	n	Cup sensor front <i>replaced by 5KBK067 2020.19.xxxx.001</i>

- Part numbers marked with "SE" are Service parts Engineer stock
- Part numbers marked with "SW" are Service parts Warehouse stock
- Part numbers marked with "n/a" are Not Available as spare part
- De Jong Duke recommends to have service parts available locally (SW) or as car stock (SE).



4012-B



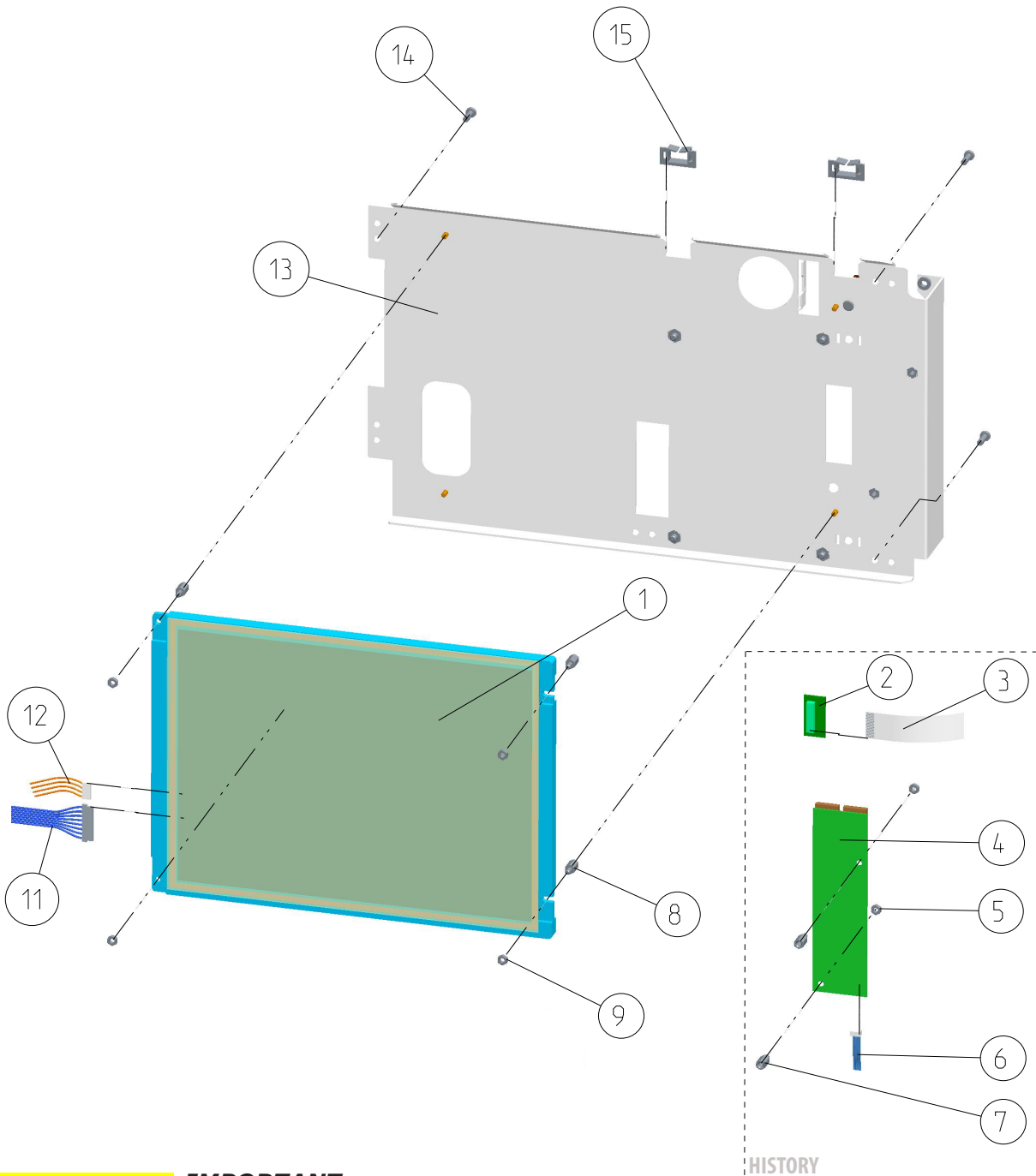
**IMPORTANT**

To prevent Electrostatic discharge (ESD), always use an ESD wrist strap. Make sure to connect it to the door ground cable of the coffee machine before handling the boards.

<b>Drawing</b>	<b>Pos</b>	<b>S</b>	<b>Part Nr</b>	<b>Qty</b>	<b>Spare Part Description</b>
4012-B	01	SW	6CDP013	1	800x600 LVDS Touch Display 10,4" (Neg. Backlight) <i>NOTE: MoVeC ICEQ2 required (see drawing 5515)</i>
4012-B	08		4BAF028	4	Distance holder M3, 8mm
4012-B	09		4BMZ002	4	Nut M3
4012-B	11		6CKB485	1	Cable for controller board-display LVDS
4012-B	12		6CKB488	1	Cable for backlight LVDS ICEQ2
4012-B	13		5MDR484	1	Display mounting bracket for Virtu Small
4012-B	13		5MDR485	1	Display mounting bracket for Virtu Medium
4012-B	14		4BSC047	3	Screw EJOT PT KB 3.5x10
4012-B	15		4BKM053	2	Cable saddle edge mount
					<b>Used display / cable combinations: A, B or C</b> <b>Update A to B is possible</b> <b>Update A to C is <u>not</u> possible</b> <b>Update B to C is not possible</b>
				<b>A</b>	<b><u>A - 6CDP009 display 640x480</u></b>
4012-B	13		5MDR428	1	Display mounting bracket <i>Discontinued from S/N 2015.37.xxx.001</i>
4012-B	0=7		n/a		Parts not available <i>Order Replacement set 9HDR080 to update to combination B.</i>
4012-B			9HDR080	1	Replacement set (in fact update A --> B) <i>Contains the following components:</i> 6CDP011 640x480 LVDS Touch Display 10,4" 6CKB485 Cable for controller board-display LVDS 6CKB486 Cable for backlight converter LVDS ICEQ1 9EPR011 MoVeC ICEQ2 controller board (see drawing 5515)
				<b>B</b>	<b><u>B - 6CDP011 display 640x480</u></b>
4012-B	13		5MDR428	1	Display mounting bracket <i>Discontinued from S/N 2015.37.xxx.001</i>
4012-B	01	SW	6CDP011	1	640x480 LVDS Touch Display 10,4" (Neg. Backlight) <i>Discontinued in production from S/N 2015.37.xxxx.001</i>
4012-B	03	SW	6CKB485	1	Cable for controller board-display LVDS
4012-B	06	SW	6CKB486	1	Cable for backlight converter LVDS ICEQ1 <i>Discontinued in production from S/N 2015.37.xxxx.001</i>
				<b>C</b>	<b><u>C - 6CDP013 display 800x600</u></b>
4012-B	13		5MDR484	1	Display mounting bracket for Virtu Small
4012-B	13		5MDR485	1	Display mounting bracket for Virtu Medium
4012-B	01	SW	6CDP013	1	800x600 LVDS Touch Display 10,4" (Neg. Backlight) <i>NOTE: MoVeC ICEQ2 required (see drawing 5515)</i>
4012-B	03	SW	6CKB485	1	Cable for controller board-display LVDS



4012-B



**IMPORTANT**

To prevent Electrostatic discharge (ESD), always use an ESD wrist strap. Make sure to connect it to the door ground cable of the coffee machine before handling the boards.



<i>Drawing</i>	<i>Pos</i>	<i>S</i>	<i>Part Nr</i>	<i>Qty</i>	<i>Spare Part Description</i>
4012-B	06	SW	6CKB488	1	Cable for backlight converter LVDS ICEQ2
<b>HISTORY</b>					
4012-B	01	SW	6CDP009	1	Touch display 10,4" (Pos. Backlight / TTL) <i>Discontinued in production *</i>
4012-B	01	SW	6CDP011	1	640x480 LVDS Touch Display 10,4" (Neg. Backlight) <i>Discontinued in production from S/N 2015.37.xxxx.001</i>
4012-B	02	SW	5EPR121	1	Touch display 10,4" converter <i>Discontinued from *</i>
4012-B	03	SW	6CKB422	1	Cable for controller board-display converter <i>Discontinued in production from *</i>
4012-B	04	SW	4EPR016	1	Backlight converter 10,4 inch <i>Discontinued in production from *</i>
4012-B	05		4BMZ002	2	Nut M3
4012-B	06	SW	6CKB424	1	Cable for backlight converter <i>Discontinued in production from *</i>
4012-B	06	SW	6CKB486	1	Cable for backlight converter LVDS ICEQ1 <i>Discontinued in production from S/N 2015.37.xxxx.001</i>
4012-B	07		4BAF028	2	Distance holder M3, 8mm
4012-B	10		n/a	1	<i>Not used / not drawn</i>
4012-B	13		5MDR428	1	Display mounting bracket <i>replaced by 5MDR484 from S/N 2015.37.xxx.001</i>

*\*) Discontinued in production from  
S/N 2014.02.xxxx.xxx for Virtu Small  
S/N 2013.51.xxxx.xxx for Virtu Medium*



**6CDP009 (A)**



**6CDP011 (B)**



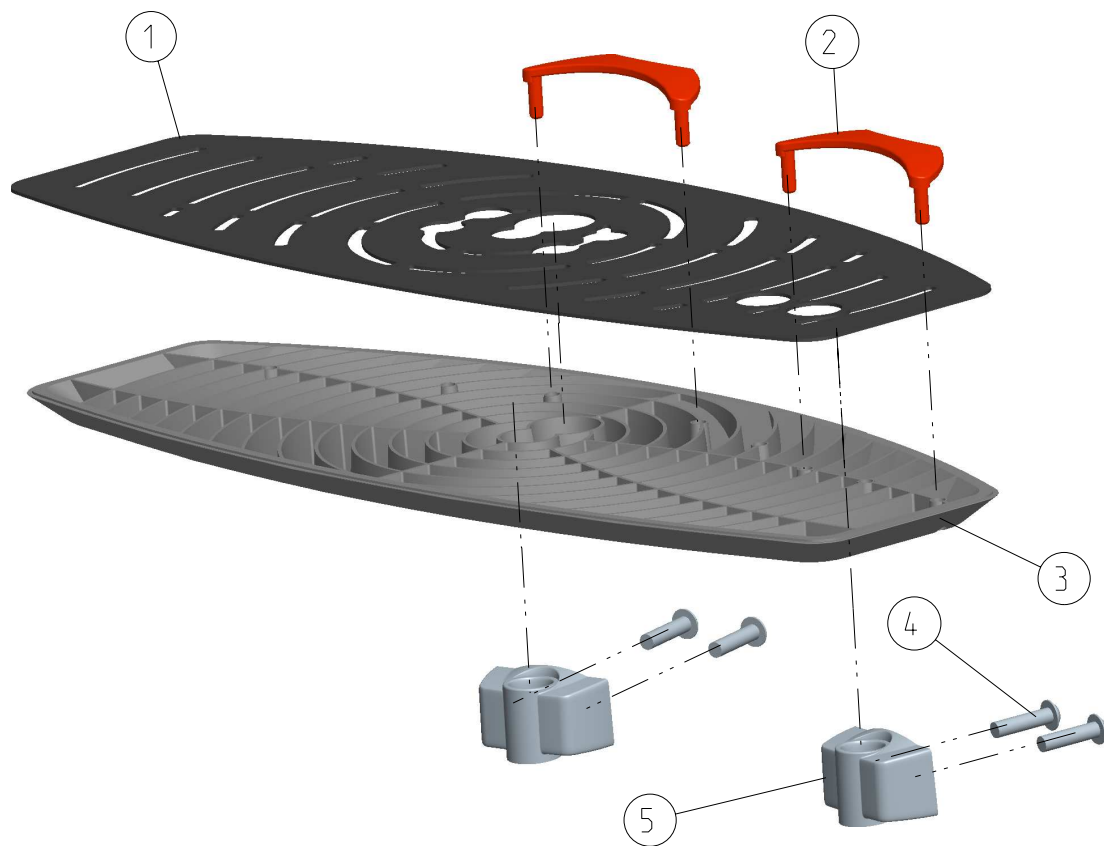
**6CDP013 (C)**

Recognizing the display mounted on the back of the metal bracket:

6CDP009 (left) is connected to the ICEQ board with a **flat cable**

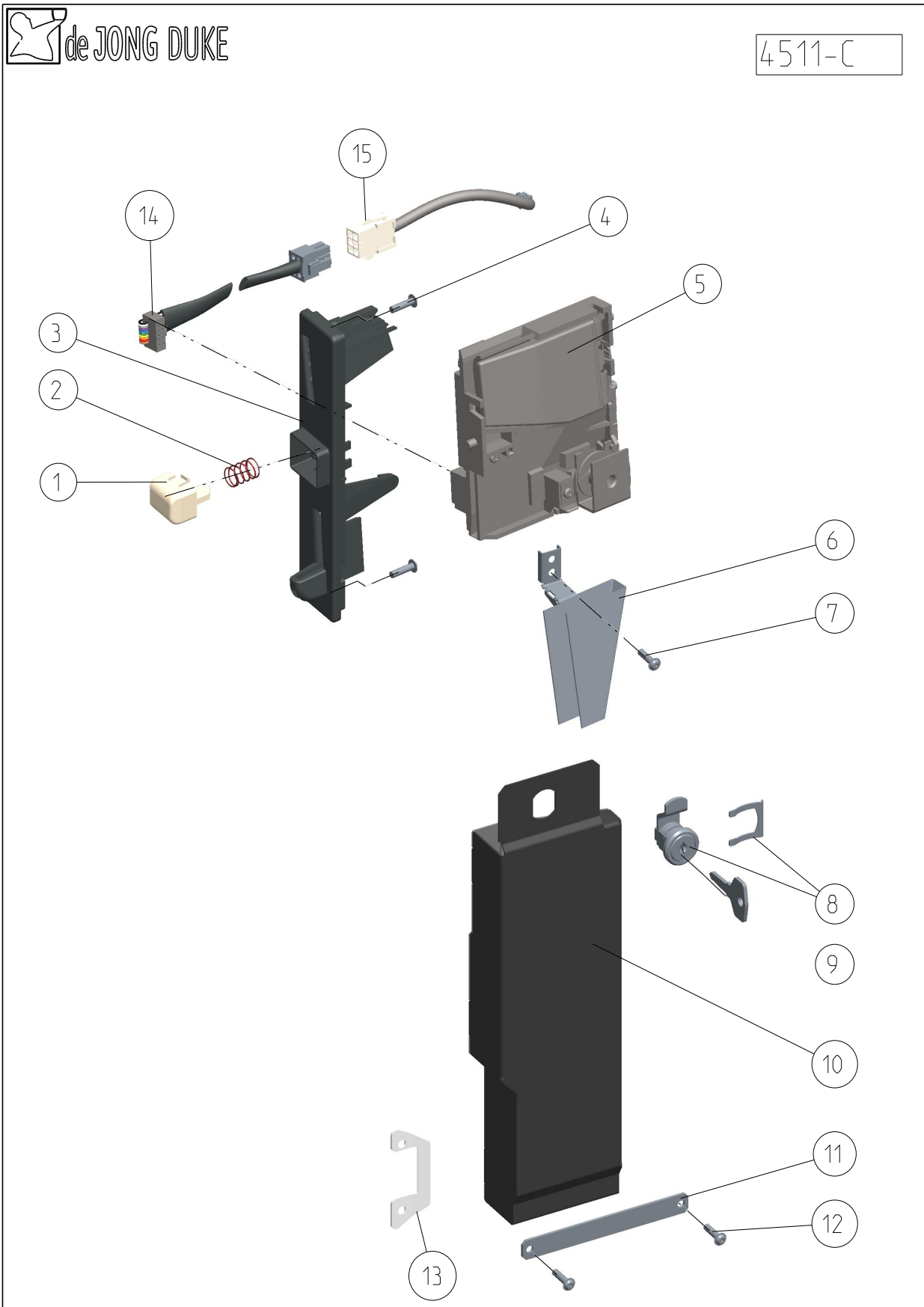
6CDP011 (middle) is **white** on the back

6CDP013 (right) is **white and dark** on the back



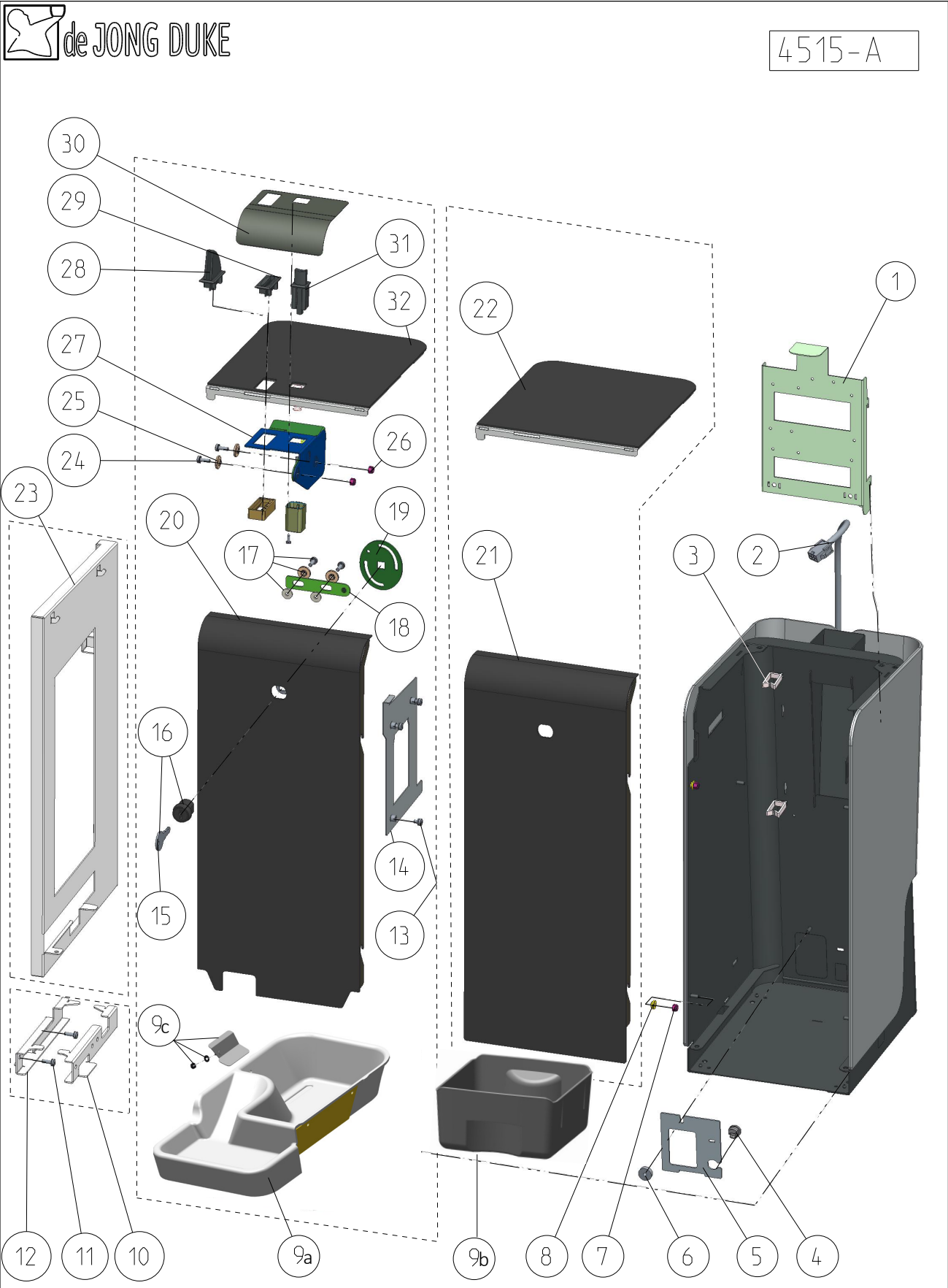
<b>Drawing</b>	<b>Pos</b>	<b>S</b>	<b>Part Nr</b>	<b>Qty</b>	<b>Spare Part Description</b>
4305-A		SW	9BMB015	1	Cup stand with magnet (for Virtu and Zia High Capacity/400V models) <i>with items 2 (5KBK028) and 3</i>
4305-A	01		5MAF082	1	Grid cup stand (stainless steel) (option)
4305-A	02	SW	5KBK028	2	Cup-positioner cup stand (Black)
4305-A	02	SW	5KBK028-ROOD	2	Cup-positioner cup stand (Red)
4305-A	03	SW	5KBK057	1	Cup tray small open
4305-A	04	SE	4BSC036	4	Screw torx 3,5x13,5
4305-A	05	SW	5KBK056	2	Mounting bracket

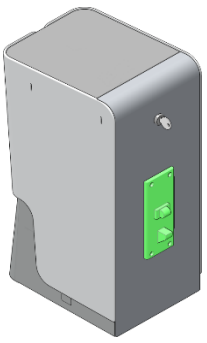
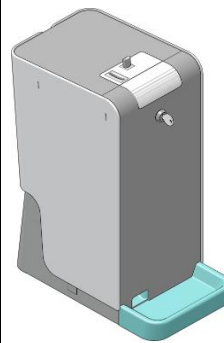
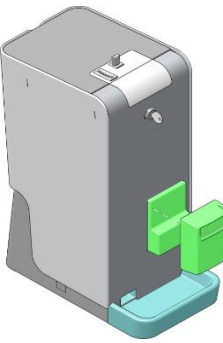
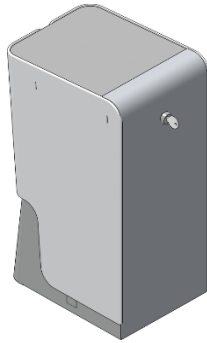
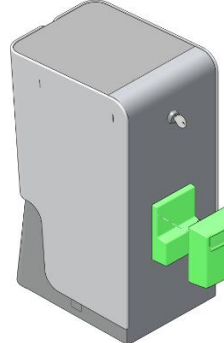
- Part numbers marked with "SE" are Service parts Engineer stock
- Part numbers marked with "SW" are Service parts Warehouse stock
- Part numbers marked with "n/a" are Not Available as spare part
- De Jong Duke recommends to have service parts directly available on local or car stock.



<b>Drawing</b>	<b>Pos</b>	<b>S</b>	<b>Part Nr</b>	<b>Qty</b>	<b>Spare Part Description</b>
4511-C	05		4EMU020	1	Coin Acceptor G13 MDB (EURO) without front plate <i>includes 0.5 meter MDB cable (6CKB513)</i>
4511-C	05		4EMU026	1	Coin Acceptor G13 MDB (SEK) without front plate ( <i>includes 0.5 meter MDB cable</i> )
4511-C	05		4EMU027	1	Coin Acceptor MDB (GBP) without front plate ( <i>includes 0.5 meter MDB cable</i> )
4511-C			9MDG039	1	Coin Acceptor Set for Virtu Small (HC models excluded) <i>with items 1-4 and 6-12</i>
4511-C			9MDG055	1	Coin Acceptor Set for Edge Small <i>with items 1-4, 6-10, and 13</i>
4511-C	01		5KMS016	1	Return button coin acceptor
4511-C	02		5MVR024	1	Spring 3,5N
4511-C	03		5KMS015	1	Front plate coin acceptor
4511-C	04		4BSC036	2	Screw torx 3,5x13,5
4511-C	05		4EMU020	1	Coin Acceptor MDB (euro) without front plate ( <i>includes 0.5 meter MDB cable</i> )
4511-C	06		5MMS182	1	Coin guide Virtu
4511-C	06		5MMS216	1	Coin guide Edge
4511-C	07		4BSC036	1	Screw torx 3,5x13,5
4511-C	08	SW	4MHS028	1	Lock
4511-C	09	SE	4MHS029	1	Key for lock 4MHS028
4511-C	10		6MOV045- RAL9005	1	Coin box Virtu small
4511-C	10		5MMS215	1	Coin box Edge
4511-C	11		5MMS185	1	Fixation for coin box in Virtu small door
4511-C	12		4BSC036	2	Screw torx 3,5x13,5
4511-C	13		5MMS217	1	Fixation for coin box Edge small door
4511-C	14		6CKB513	1	MDB cable 0.5 m
4511-C	15		6CKB508	1	MDB Adapter cable 0.1 m (ICEQ2 only)
4511-C	15		6CKB509	1	MDB Adapter cable 1.6 m (ICEQ2 only)

- Part numbers marked with "SE" are Service parts Engineer stock
- Part numbers marked with "SW" are Service parts Warehouse stock
- Part numbers marked with "n/a" are Not Available as spare part
- De Jong Duke recommends to have service parts directly available on local or car stock.



				
Prepared for Coin Acceptor (9MDG013)	Prepared for Change giver (4EMU009)	Prepared for Change giver + Card reader / Bill acceptor	Blank	Prepared for Card reader / Bill acceptor

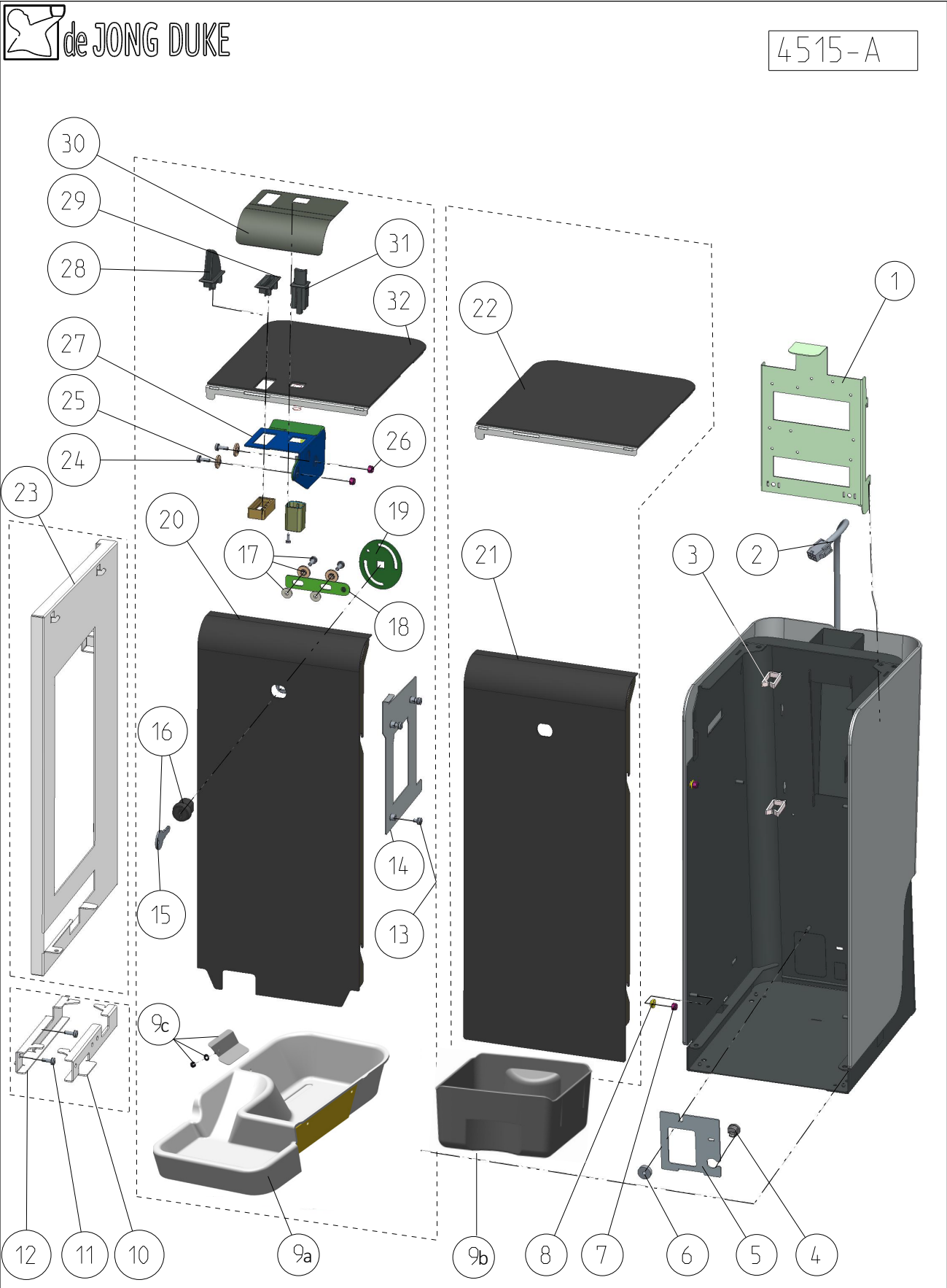
**Part number for complete housing for Small(T0) and Medium(T1) models:**  
*with connection bracket item 23 but without the payment option itself (highlighted in green)*

<b>9MKA014</b>	<b>9MKA008</b>	<b>9MKA010</b>	<b>9MKA012</b>	<b>9MKA016</b>
----------------	----------------	----------------	----------------	----------------

**Part number for replacement Front panel pre-assembled:**  
*complete with items 16, 17, 18, 19 and 20 or 21 but without the payment option itself (highlighted in green)*

<b>9MDG049</b>	<b>9MDG050</b>	<b>9MDG051</b>	<b>9MDG052</b>	<b>9MDG053</b>
----------------	----------------	----------------	----------------	----------------

<i>Drawing</i>	<i>Pos</i>	<i>S</i>	<i>Part Nr</i>	<i>Qty</i>	<i>Spare Part Description</i>
			9MDG013		Coin acceptor EURO G13 including front plate <b>wide</b> (See drawing 4509 for more details)
			4EMU009		Change giver G46 EURO
4515-A	01		5MMS203	1	Mounting bracket
4515-A	02		6CKB509	1	MDB Adapter cable 1.6 m (ICEQ2 only)
4515-A	03		4BKM031	2	Cable clamp with plug
4515-A	04		4KDT009	1	Cable relief
4515-A	05		5MMS214	1	Back plate connections
4515-A	06		4BMV007	1	Thumb nut M4
4515-A	07		4BMZ011	4	Locking nut M4
4515-A	08		5MLG001	4	Bearing Ø6,9 x Ø10 x 2
4515-A	9a		6MOV048	1	Money tray for change giver (G46) <i>contains money tray (5KMS017) tray support (5MMS200) and item 9C</i>
4515-A	9b	SW	5KAF090	1	Money tray for coin acceptor (G13)
4515-A	9c		9MDG058	1	Money tray (Change giver) upgrade kit <i>with coin deflection lip (5TMP099), washer M4 (4BPR003) and nut (4BMZ003)</i>



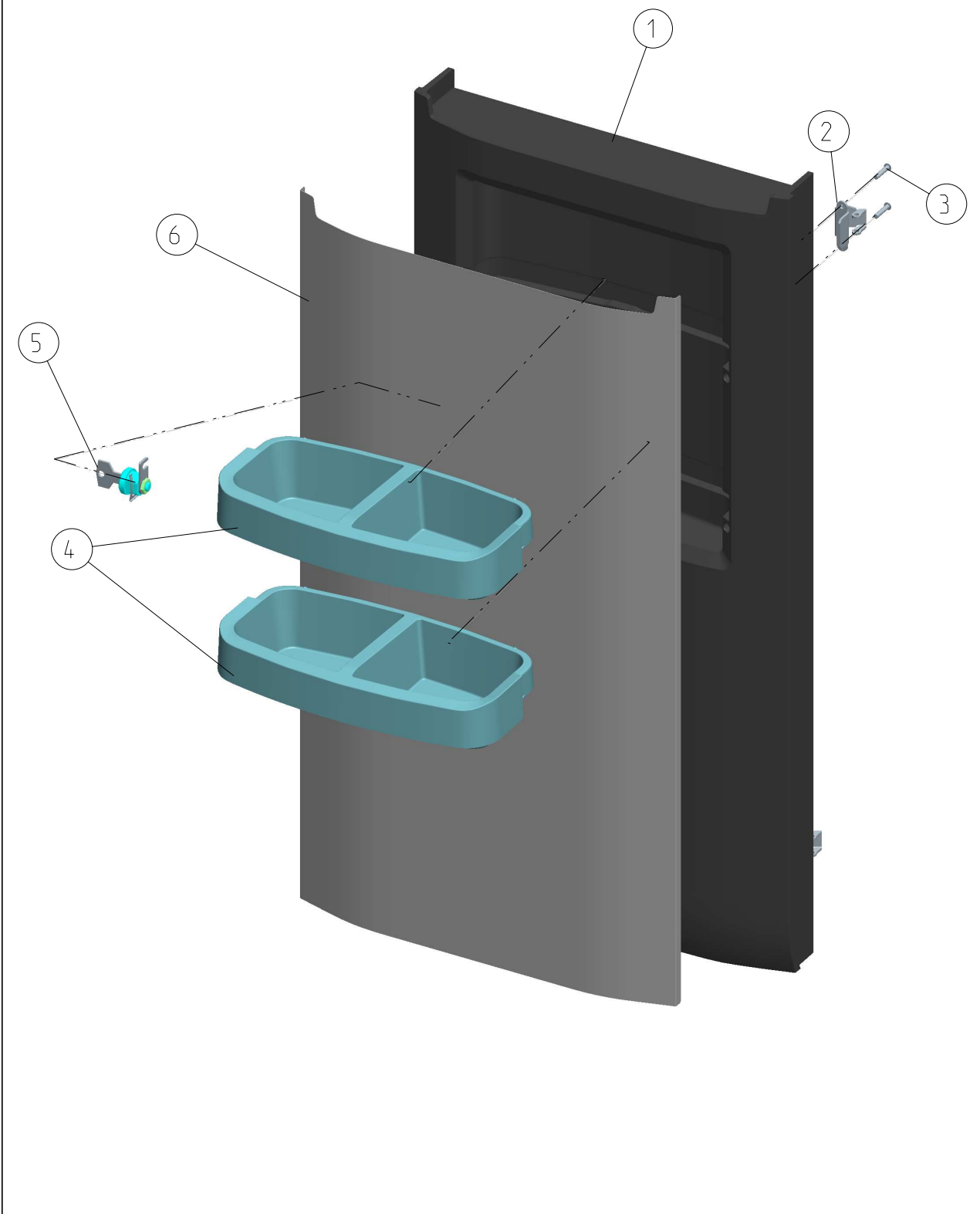


<b>Drawing</b>	<b>Pos</b>	<b>S</b>	<b>Part Nr</b>	<b>Qty</b>	<b>Spare Part Description</b>
4515-A	10		5MMS197 -RAL9005	1	Connection piece Nio (Left)
4515-A	11	SE	4BBK032	4	Bolt M4x12 with ring
4515-A	12		5MMS196 -RAL9005	1	Connection piece Nio (Right)
4515-A	13		4BBK039	3	Bolt M4x6 with lock washer (Torx)
4515-A	14		5MMS204	1	Bracket for change giver
4515-A	15		4MHS047	1	Key for lock 4MHS044
4515-A	16		4MHS044	1	Lock with keys
4515-A	17		9HDR090	4	Sliding lock fasteners set
4515-A	18		5MHS057	2	Sliding lock plate
4515-A	19		5MHS056	1	Lock cam
4515-A	20		9MDG050	1	Front cover prepared for Change giver <i>with items 16, 17, 18, 19</i>
4515-A	20		9MDG051	1	Front cover prepared for Change giver and bill acceptor <i>with items 16, 17, 18, 19</i>
4515-A	21		9MDG049	1	Front cover prepared for Coin acceptor <i>with items 16, 17, 18, 19</i>
4515-A	21		9MDG052	1	Front cover - Blank / not prepared <i>with items 16, 17, 18, 19</i>
4515-A	21		9MDG053	1	Front cover prepared for Card reader / Bill accep- tor <i>with items 16, 17, 18, 19</i>
4515-A	22		6MKA010	1	Lid
4515-A	23		5MMS205- RAL9005	1	Connection bracket
4515-A	24	SE	4BBK032	2	Bolt M4x12 with ring
4515-A	25		5MLG002	2	Bearing Ø6,9 x Ø15 x 1,7
4515-A	26		4BMZ011	2	Locking nut M4
4515-A	27		n/a	1	Return mechanism assembly
4515-A	28		5KMS018	1	Alternative upright coin slot
4515-A	29		n/a	1	Coin slot
4515-A	30		5TAB101	1	Sticker for unit with change giver
4515-A	31		6MDG038	1	Return button assembly
4515-A	32		n/a	1	Lid for unit with change giver

- Part numbers marked with "SE" are Service parts Engineer stock
- Part numbers marked with "SW" are Service parts Warehouse stock
- Part numbers marked with "n/a" are Not Available as spare part
- De Jong Duke recommends to have service parts directly available on local or car stock.



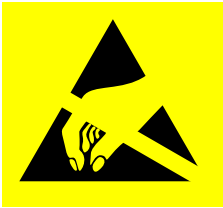
5007-A



<i>Drawing</i>	<i>Pos</i>	<i>S</i>	<i>Part Nr</i>	<i>Qty</i>	<i>Spare Part Description</i>
					<b>PARTS</b>
5007-A	01		5KDR050 -11194		Door Base Cabinet small (Virtu)
5007-A	01		5KDR050 - 357G2		Door Base Cabinet small (Varea)
5007-A	01		5KDR050 -S139		Door Base Cabinet small (Zia)
5007-A	01		5KDR050 -99YK		Door Base Cabinet small (Edge)
5007-A	01		5KDR050 -3101		Door Base Cabinet small (Lua)
5007-A	01		5KDR050 -01		Door Base Cabinet small (Blu)
5007-A	01		5KDR050 -RAL9005		Door Base Cabinet small (Rosa)
5007-A	02		5MHS012		Door hinge
5007-A	03		4BSC037		Screw 4x12
5007-A	04		5KDR052		Condimental tray base cabinet
5007-A	05		9HDR078		Lock with clip and key <i>note: key <b>NOT</b> identical to 4MHS026 key</i>
5007-A	05		4MHS042		Key for door lock 9HDR078 <i>key# 25401</i>
5007-A	06		9HDR059		Cover plate base small (Virtu - Vivinox) <i>including adhesive strip</i>
5007-A	06		9HDR089		Cover plate base small (Zia - S139) <i>including adhesive strip</i>
5007-A	06		<b>TBD</b>		Cover plate base small (Edge) <i>including adhesive strip</i>
					<b>HISTORY</b>
5007-A	05		4MHS026		Lock with clip <i>Replaced by 9HDR078 from S/N 2016.06.xxxx.001</i>

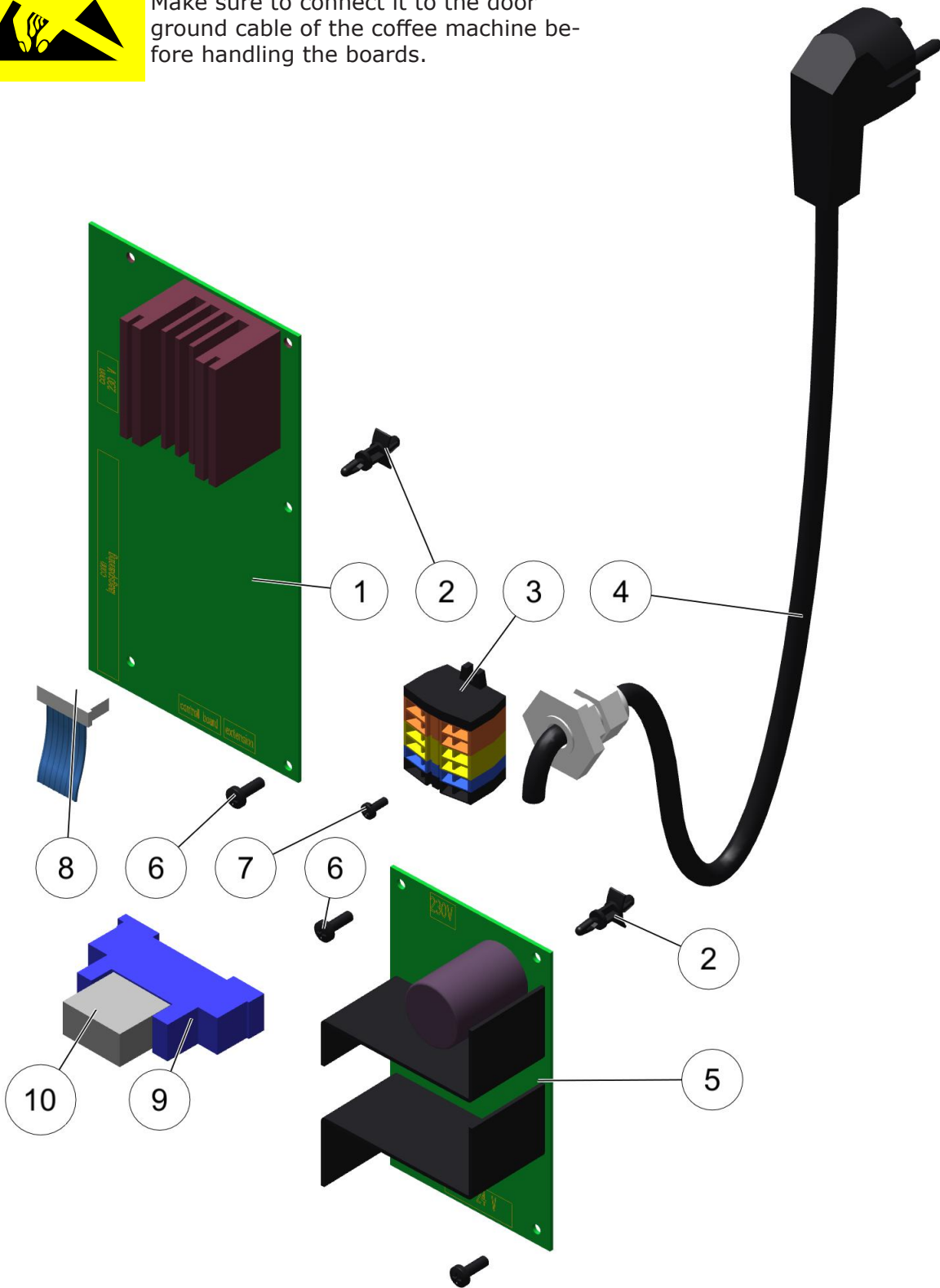
- Part numbers marked with "SE" are Service parts Engineer stock
- Part numbers marked with "SW" are Service parts Warehouse stock
- Part numbers marked with "n/a" are Not Available as spare part
- De Jong Duke recommends to have service parts directly available locally or car stock.

5507-E1



**IMPORTANT**

To prevent Electrostatic discharge (ESD), always use an ESD wrist strap. Make sure to connect it to the door ground cable of the coffee machine before handling the boards.



<b>Drawing</b>	<b>Pos</b>	<b>S</b>	<b>Part Nr</b>	<b>Qty</b>	<b>Spare Part Description</b>
5507-E	01	SW	5EPR130	1	IOB MoVeC ICEQ with 16 outputs (For 1 heating element) <i>Machine type: 9INB / 9FND / 9FEC</i>
5507-E	01	SW	5EPR132	1	IOB MoVeC ICEQ with 27 outputs (For 2 heating elements) <i>Machine type: 9CND / 9CEC / 9FEC / 9IEA</i>
5507-E	02		4BAF015	5	PCB supports
5507-E	03		6CCT002	1	Connection block
5507-E	04		6CKB130	1	Power cord EU
5507-E	04		6CKB136	1	Power cord UK
5507-E	04		6CKB137	1	Power cord USA 110VAC UL
5507-E	05	SW	5EPR148	1	Power supply for machine without grinder 100-230VAC / 24VDC / 65W <i>Machine type: 9INB / 9IEA / 9FND / 9FEC</i>
5507-E	05	SW	5EPR076	1	Power supply for machine with grinder 100-230VAC / 24VDC / 120W <i>Machine type: 9CND / 9CEC / 9FND / 9FEC</i>
5507-E	05	SW	5EPR077	1	Power supply for machine with grinder 120VAC / 24VDC / 120W - US only <i>Machine type: 9CND / 9CEC / 9FND / 9FEC</i>
5507-E	06	SE	4BBK032	3	Bolt M4x12 Torx
5507-E	07		4BBK028	2	Bolt M3x8
5507-E	08	SE	6CKB426	1	Movec ICEq - Cable IOB to Controller board
5507-E	09		4ERL007	1	Relay socket (only for 9CND with FM)
5507-E	10		4ERL006	1	Relay 24VDC 2-pole (only for 9CND with FM)
<b>HISTORY</b>					
5507-E	01		<del>5EPR131</del>	1	IOB MoVeC ICEQ with 15 outputs (For 2 heating elements) <i>Machine type: 9CND / Virtu 6023a</i> <i>Replaced by 5EPR132 + config file update from S/N 2013.18.xxxxx.xxx</i>
5507-E	05	SW	<del>5EPR078</del>	1	Power supply for machine with grinder 100-230VAC / 24VDC / 120W <i>Machine type: 9CND / 9CEC / 9FND / 9FEC</i> <i>Replaced by 5EPR076 from S/N 2014.48.xxxx.001</i>

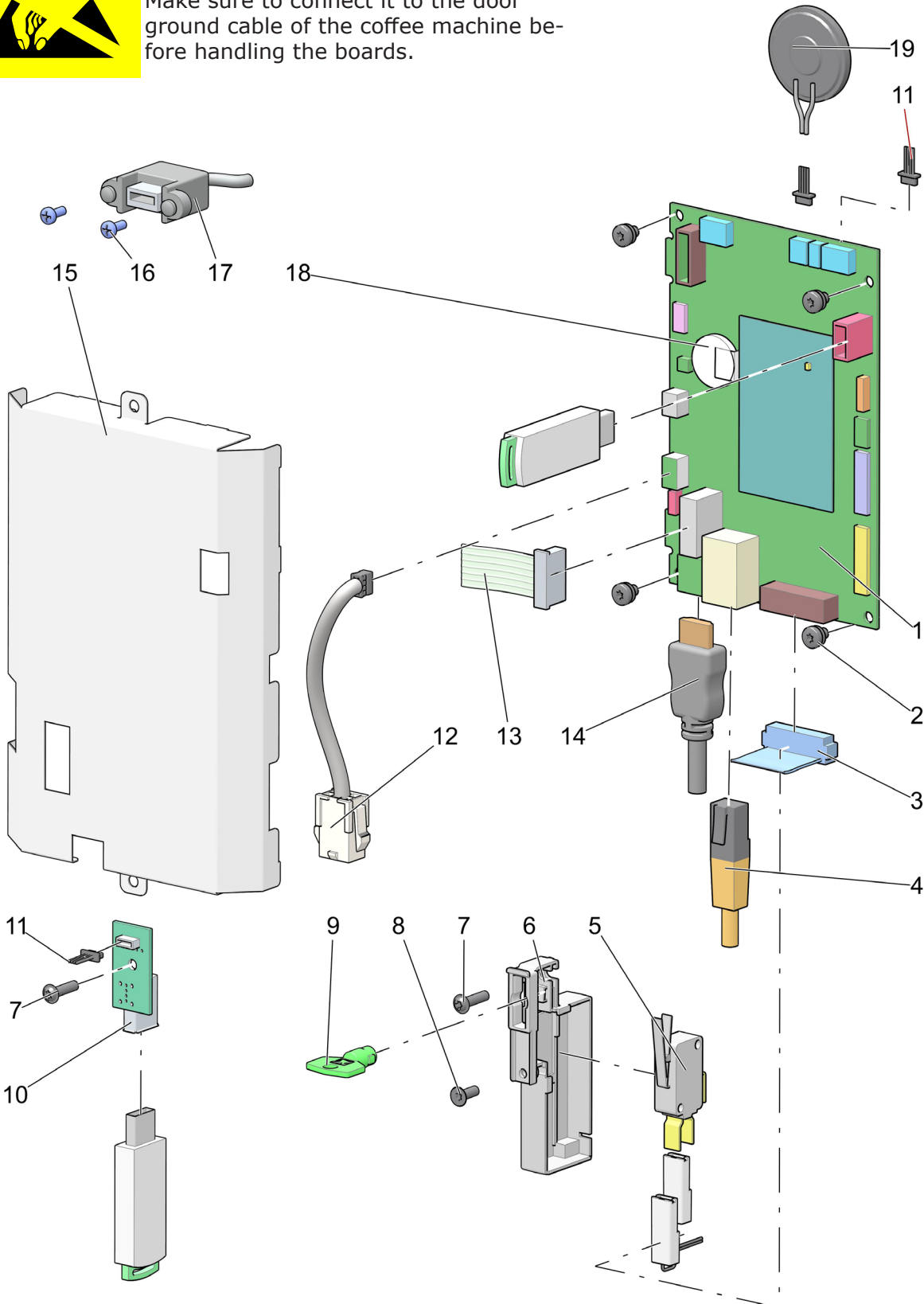
- Part numbers marked with "SE" are Service parts Engineer stock
- Part numbers marked with "SW" are Service parts Warehouse stock
- Part numbers marked with "n/a" are Not Available as spare part
- De Jong Duke recommends to have service parts available on local (SW) or car stock (SE).



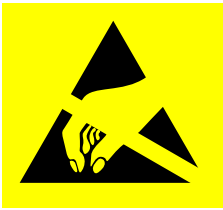
**IMPORTANT**

To prevent Electrostatic discharge (ESD), always use an ESD wrist strap. Make sure to connect it to the door ground cable of the coffee machine before handling the boards.

5515-B



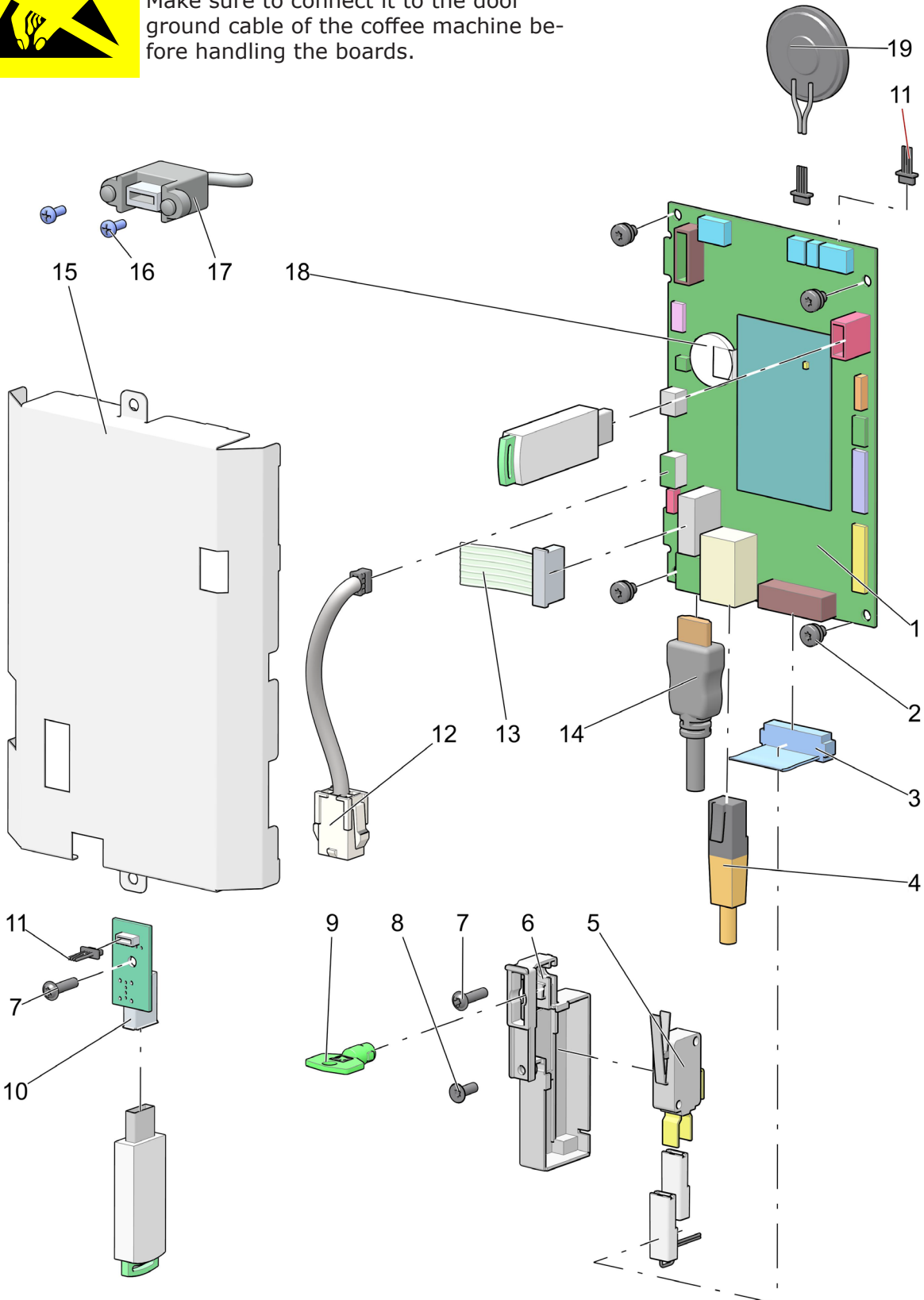
<b>Drawing</b>	<b>Pos</b>	<b>S</b>	<b>Part Nr</b>	<b>Qty</b>	<b>Spare Part Description</b>
5515-B	01	SW	9EPR016	1	MoVeC ICEQ2 controller board, <b>Nio</b> <i>Standard</i>
5515-B	01	SW	9EPR022	1	MoVeC ICEQ2 controller board, <b>Nio</b> <i>Customer specific</i>
5515-B	01	SW	9EPR012	1	MoVeC ICEQ2 controller board, <b>V'eco</b> <i>(800x600) Standard</i>
5515-B	01	SW	9EPR020	1	MoVeC ICEQ2 controller board, <b>Varea</b> <i>(800x600) Standard</i>
5515-B	01	SW	9EPR012	1	MoVeC ICEQ2 controller board, <b>Virtu</b> <i>(800x600) Standard</i>
5515-B	01		9EPR019	1	MoVeC ICEQ2 controller board, <b>Virtu</b> <i>(800x600) Customer specific</i>
5515-B	01		9EPR020	1	MoVeC ICEQ2 controller board, <b>Virtu</b> <i>(800x600) Customer specific</i>
5515-B	01	SW	9EPR010	1	MoVeC ICEQ2 controller board, <b>Virtu</b> <i>(640x480) Customer specific for 6CDP009 display</i>
5515-B	01	SW	9EPR011	1	MoVeC ICEQ2 controller board, <b>Virtu</b> <i>(640x480) Customer specific for 6CDP011 display</i>
5515-B	01	SW	9EPR018	1	MoVeC ICEQ2 controller board, <b>Virtu</b> <i>(640x480) Standard</i>
5515-B	01	SW	9EPR015	1	MoVeC ICEQ2 controller board <b>Zia</b> <i>(800x600) Standard</i>
5515-B	01	SW	9EPR017	1	MoVeC ICEQ2 controller board <b>Zia</b> <i>(800x600) Customer specific</i>
5515-B	01	SW	9EPR014	1	MoVeC ICEQ2 controller board, <b>Zia</b> <i>(640x480)</i>
5515-B	01	SW	9EPR013	1	MoVeC ICEQ2 controller board, <b>Siro Touch</b>
5515-B	01	SW	9EPR021	1	MoVeC ICEQ2 controller board, <b>Edge</b>
5515-B	01	SW	9EPR023	1	MoVeC ICEQ2 controller board, <b>Blu</b>
5515-B	02		4BBK039	4	Bolt with lock washer M4x6
5515-B	03	SW	6CKB490	1	Wire harness for sensors <i>Nio</i>
5515-B	03	SW	6CKB423	1	Wire harness for sensors <i>Virtu/V'eco/Varea Small</i>
5515-B	03	SW	6CKB432	1	Wire harness for sensors <i>Virtu/V'eco/Varea Medium</i>
5515-B	03		6CKB477	1	Wire harness for sensors <i>Siro Touch Small</i>
5515-B	03		6CKB478	1	Wire harness for sensors <i>Siro Touch Medium</i>
5515-B	03	SW	6CKB481	1	Wire harness for sensors <i>Zia Small</i>
5515-B	03	SW	6CKB517	1	Wire harness for sensors <i>Zia Medium</i>
5515-B	03	SW	6CKB524	1	Wire harness for sensors <i>Edge Small</i>
5515-B	03	SW	6CKB555	1	Wire harness for sensors <i>Blu Small</i>



**IMPORTANT**

To prevent Electrostatic discharge (ESD), always use an ESD wrist strap. Make sure to connect it to the door ground cable of the coffee machine before handling the boards.

5515-B

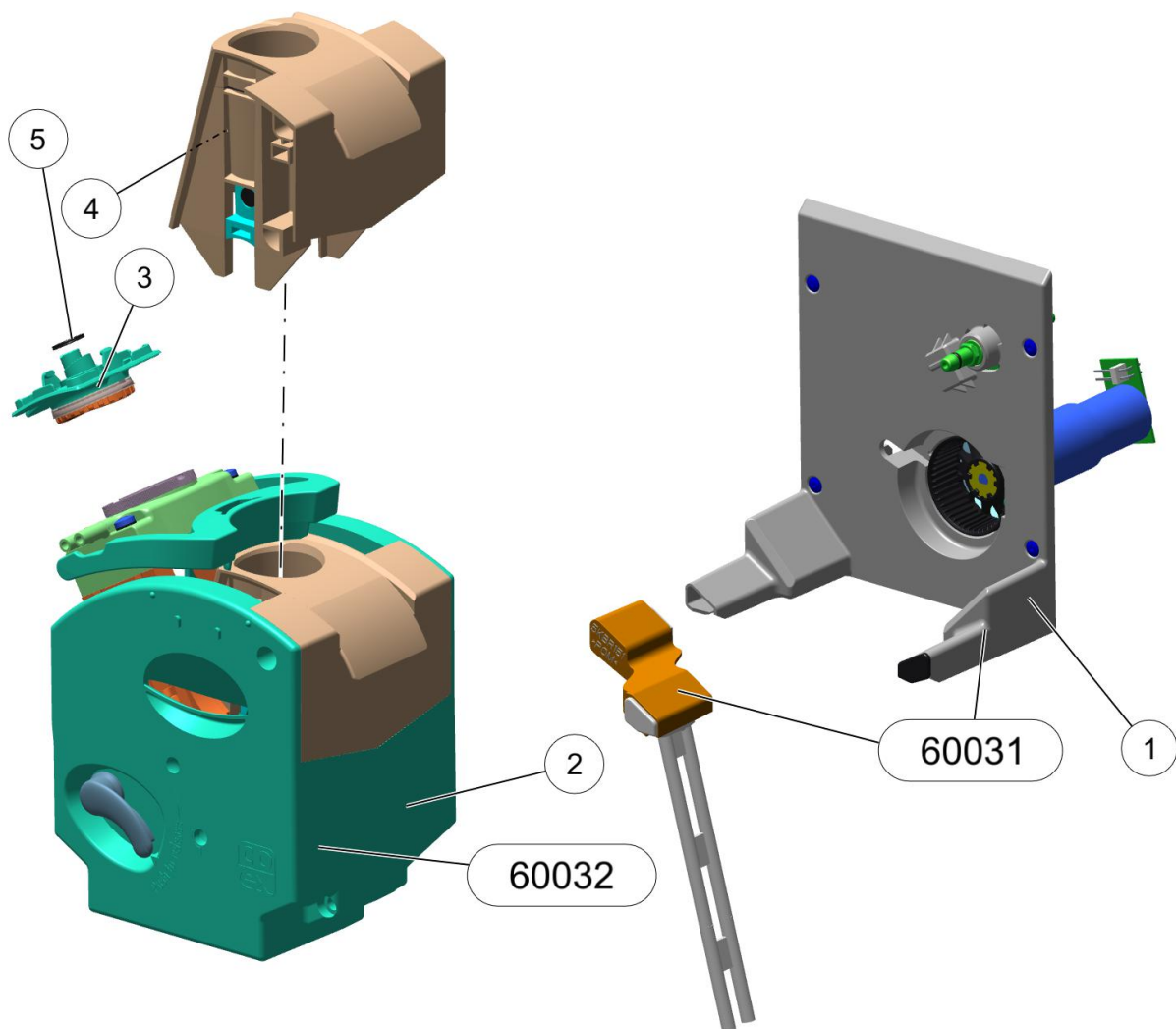




<b>Drawing</b>	<b>Pos</b>	<b>S</b>	<b>Part Nr</b>	<b>Qty</b>	<b>Spare Part Description</b>
5515-B	04	SW	6CKB543	1	Ethernet cable L=30cm
5515-B	04	SW	6CKB498	1	Ethernet cable L=50cm
5515-B	04	SW	6CKB516	1	Ethernet cable L=100cm
5515-B	04	SW	6CKB528	1	Ethernet cable L=150cm
5515-B	05	SW	4ESK048	1	Door micro switch ICEQ
5515-B	06		5KDS038	1	Door micro switch ICEQ mounting
5515-B	07		4BSC036	1	Screw torx 3.5x13.5
5515-B	08		4BSC052	1	Screw 3,5x10 Tx15
5515-B	09	SE	5KDS036	1	Service key
5515-B	10		5EPR143	1	USB print <i>Nio only</i>
5515-B	11		6CKB501	1	USB extension cable <i>Nio only</i>
5515-B	12		6CKB508	1	MDB adapter cable ICEQ2 0,1m
5515-B	12		6CKB509	1	MDB adapter cable ICEQ2 1,6m
5515-B	13	SW	6CKB426	1	Flat cable IOB-MoVeC ICEQ <i>for all models except Nio, XNA and XEA models</i>
5515-B	14	SW	6CKB497	1	HDMI cable IOB-MoVeC ICEQ <i>for Nio, XNA and XEA models</i>
5515-B	15		5MCB045	1	Controller Board cover <i>Zia medium and Nio only</i>
5515-B	16		4BBK028	2	Bolt M3x8
5515-B	17		6CKB429	1	USB extension cable <i>for Virtu/V'eco/Varea/Zia models</i>
5515-B	18		4ETR011		Battery for PCB assembly 3V
5515-B	19		4ELP001	1	Speaker other models
5515-B	19		4ELP002		Speaker Blu

- Part numbers marked with "SE" are Service parts Engineer stock
- Part numbers marked with "SW" are Service parts Warehouse stock
- Part numbers marked with "n/a" are Not Available as spare part
- De Jong Duke recommends to have service parts available locally (SW) or as car stock (SE).

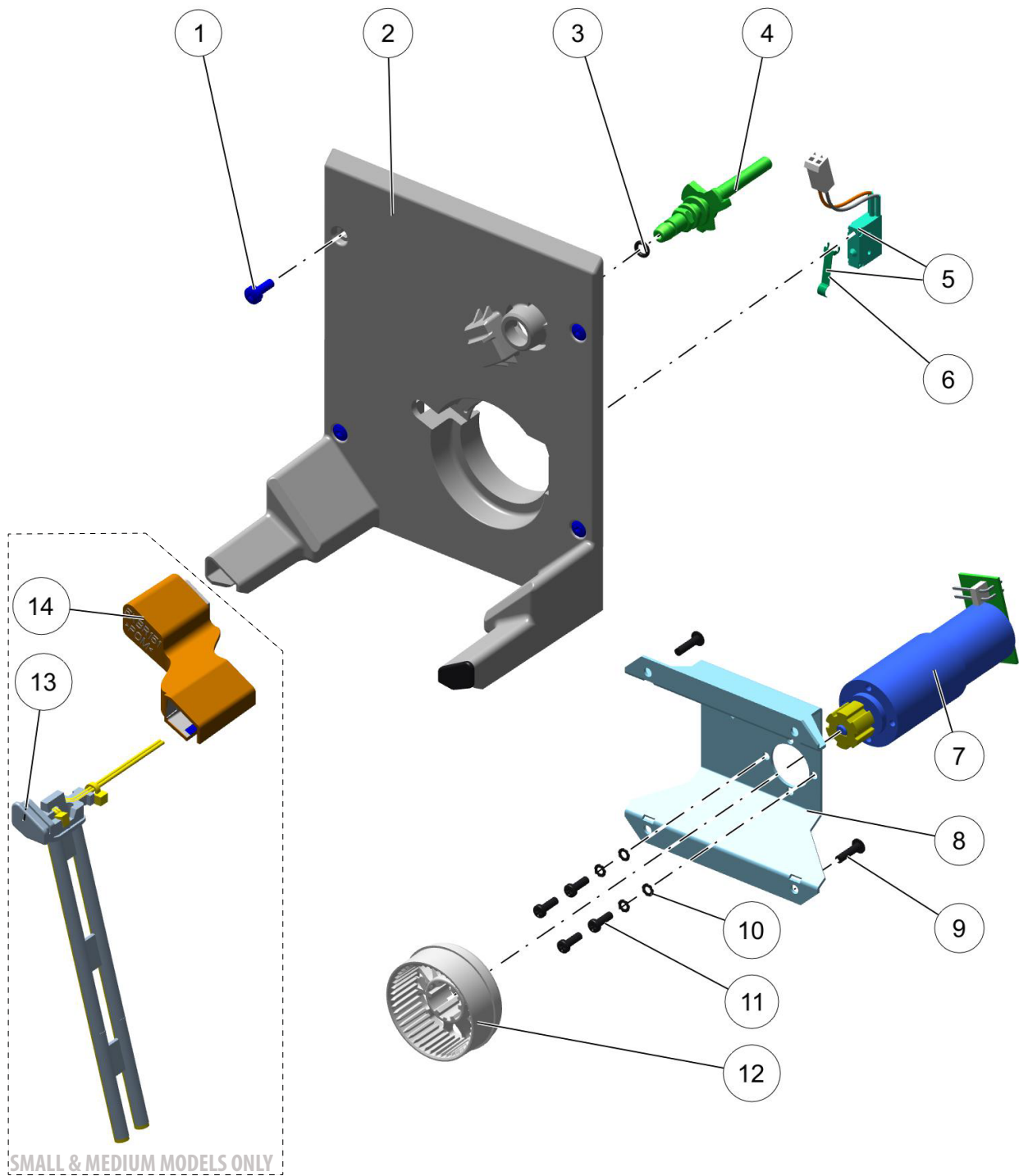
6003-D



<i>Drawing</i>	<i>Pos</i>	<i>S</i>	<i>Part Nr</i>	<i>Qty</i>	<i>Spare Part Description</i>
					<b>REFERENCES</b>
60031				1	Refer to drawing 60031: CoEx Brewer Motor Assembly
60032				1	Refer to drawing 60032: CoEx Brewer Assembly
					<b>SETS</b>
6003-D	01	SW	6ZBR054	1	Mountingframe CoEx Motor Assembly
6003-D	01	SW	9ZBR062	1	Mountingframe CoEx Brewer assembly (Nio only) <i>with assembly 6ZBR054 and interference filter</i>
6003-D	02	SW	9ZBR044	1	CoEx brewer assembly 9CND/9CEC- high pressure <i>With filter head (yellow dot: 1.5mm / 0.35mm)</i>
6003-D	02	SW	9ZBR061	1	CoEx brewer assembly - no pressure <i>With filter head (white dot: 1.5mm / 0,5mm)</i>
6003-D	02	SW	9ZBR052	1	CoEx brewer assembly 9CND/9CEC/Nio Without filter head
					<b>PARTS</b>
6003-D	03	SE	6ZBR057	1	CoEx brewer filterhead high pressure <i>(yellow dot: 1.5mm / 0.35mm)</i>
6003-D	03	SE	6ZBR091	1	CoEx brewer filterhead no pressure <i>(white dot: 1.5mm / 0,5mm)</i>
6003-D	04	SW	6ZBR051	1	Cilinder/piston assembly CoEx <i>see also drawing 60032</i>
6003-D	05	SE	4ROR014	1	Quadring for filterhead CoEx-brewer (RED)

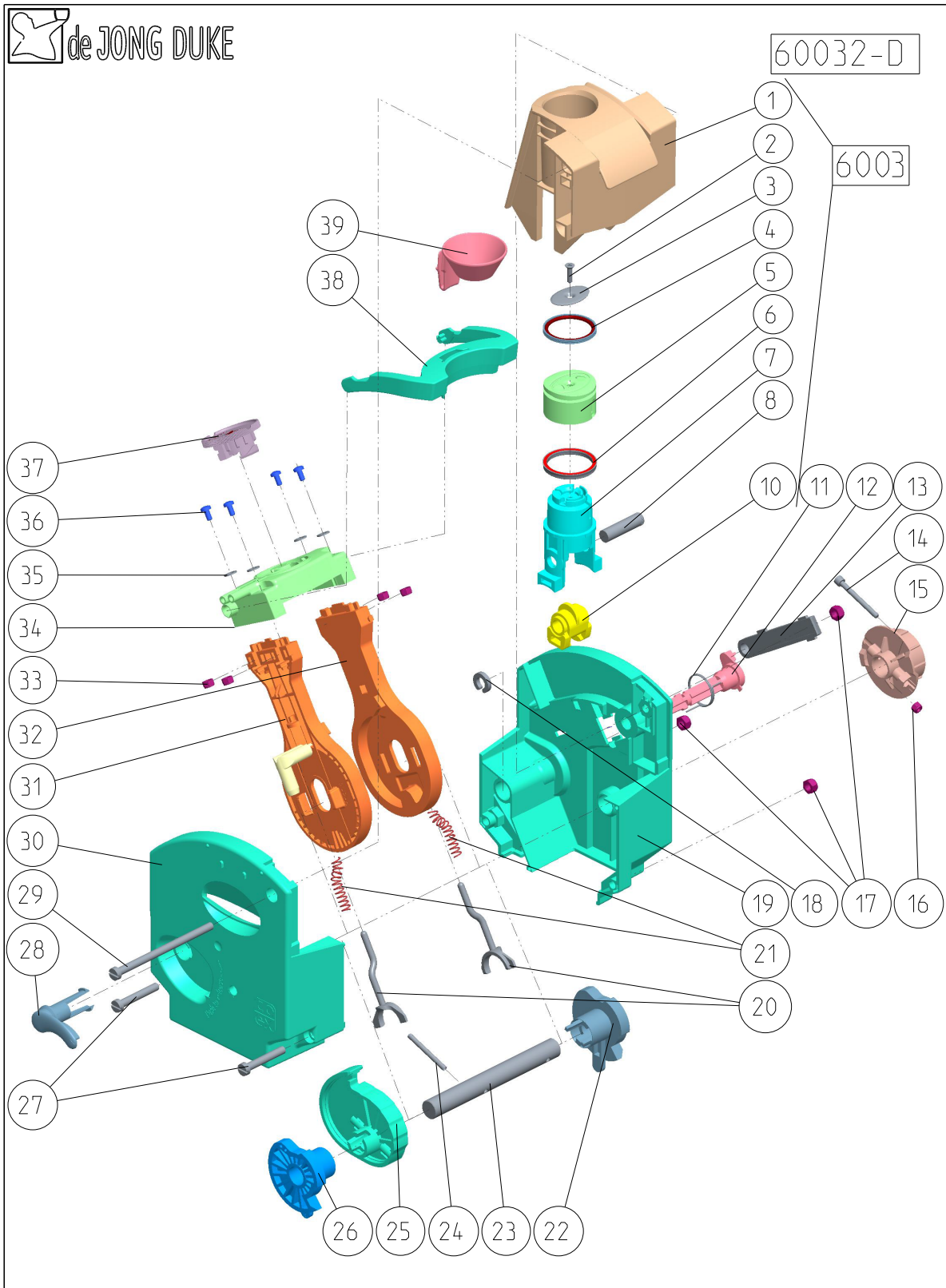
- Part numbers marked with "SE" are Service parts Engineer stock
- Part numbers marked with "SW" are Service parts Warehouse stock
- Part numbers marked with "n/a" are Not Available as spare part
- De Jong Duke recommends to have service parts available locally (SW) or as car stock (SE).

60031-F

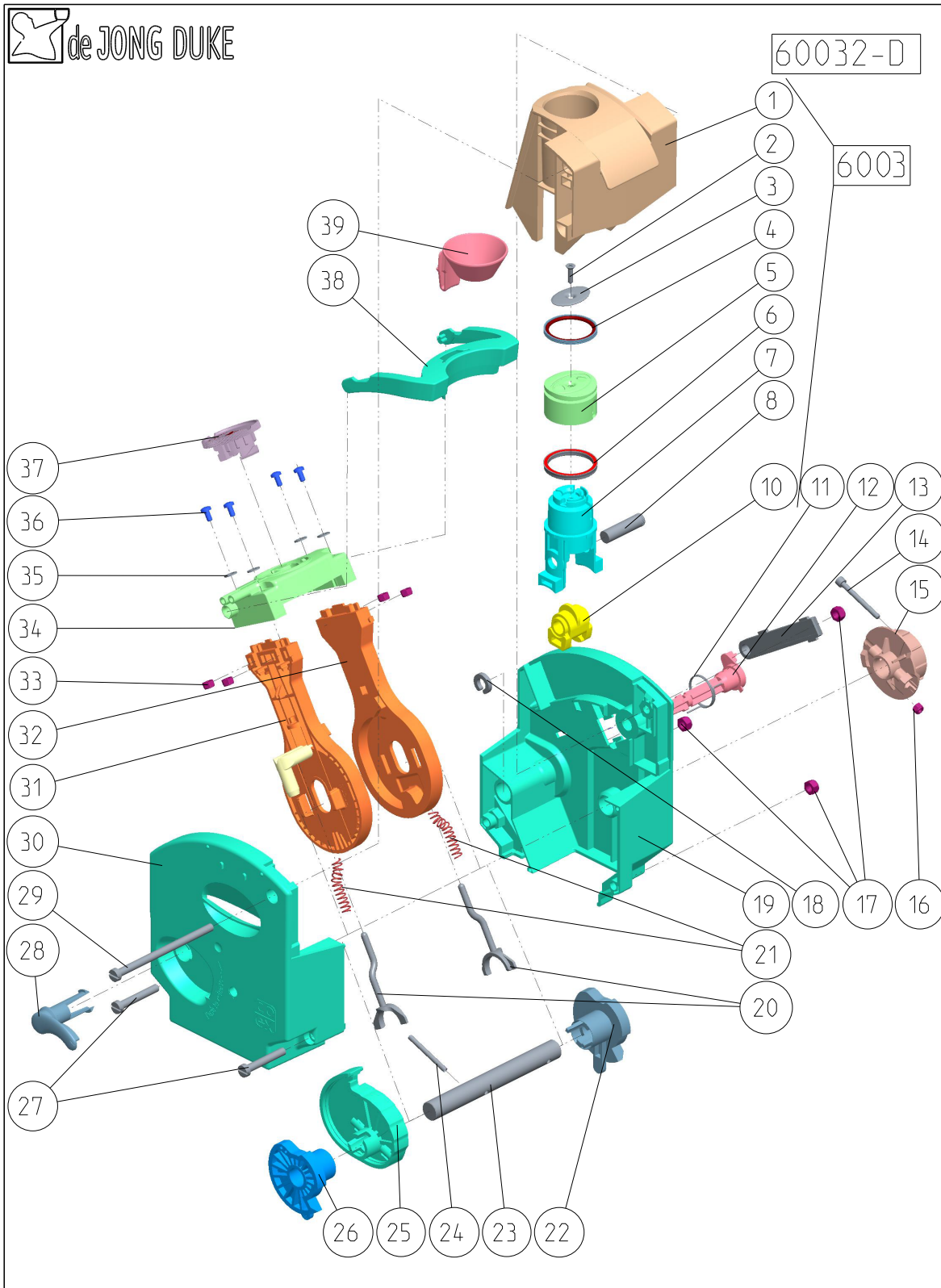


<i>Drawing</i>	<i>Pos</i>	<i>S</i>	<i>Part Nr</i>	<i>Qty</i>	<i>Spare Part Description</i>
					<b>SETS</b>
60031-F		SW	6ZBR054	1	Mountingframe CoEx Brewer motor <i>with items 2, 5, 6, 7, 8, 9, 10, 11, 12</i>
60031-F		SW	9ZBR062	1	Mountingframe CoEx Brewer motor (Nio only) <i>with Assembly 6ZBR054 and interference filter</i>
60031-F		SW	9ZBR060	1	CoEx Brewer motor with metal Bush Adaptor (bonded) and Plastic coupling ( <i>item 7, 12</i> )
60031-F		SE	9VUL011	1	CoEx Water Inlet with O-ring <i>with items 3, 4</i>
					<b>PARTS</b>
60031-F	01		4BSC036	4	Bolt M4x12 (Essence)
60031-F	01		4BBK032	4	Bolt M4x12
60031-F	02		5KBR055	1	Bracket for CoEx
60031-F	03	SE	4ROR047	1	O-ring water inlet CoEx-brewer
60031-F	04		5KBR056	1	Water connection CoEx
60031-F	05		6CKB536	1	Cable CoEx-brewer motor with micro switch <i>Includes item 06</i>
60031-F	05		6CKB537	1	Cable CoEx-brewer motor with micro switch and polyfuse (Nio only) <i>Includes item 06</i>
60031-F	06	SE	4ESK029	1	Leveler micro switch
60031-F	07		6ZBR100	1	Brewer motor CoEx with Bush Adaptor <i>Not available separately (from S/N 2016.14.xxxx.001)</i>
60031-F	08		5MBR032	1	Motor mounting plate
60031-F	09		4BSC036	4	Screw torx 3,5x13,5
60031-F	10		4BVR006	4	Knurled ring M3
60031-F	11		4BSC047	4	Screw EJOT PT KB 3.5x10
60031-F	12		5KBR074	1	Plastic motor coupling CoEx
60031-F	13	SW	6CSS047	1	Drip tray sensor long 11cm (Small & Medium models only) <i>Use with Drip tray 5KAF090 if a waste guide is installed (see drawing 1011, 1014 and 1020)</i>
60031-F	13	SW	6CSS055	1	Drip tray sensor short 9cm (Small & Medium models only) <i>Used with Drip tray under CoEx-brewer - 5KAF118 (see draw- ing 1011, 1014 and 1020)</i>
60031-F	14		5KBR151	1	Drip tray sensor bracket (Small & Medium models only) <i>Included in production from S/N 2021.26.xxxx.001</i>
					<b>HISTORY</b>
60031-F	03	SE	4ROR015	1	O-ring water inlet CoEx-brewer

- Part numbers marked with "SE" are Service parts Engineer stock
- Part numbers marked with "SW" are Service parts Warehouse stock
- Part numbers marked with "n/a" are Not Available as spare part
- De Jong Duke recommends to have service parts available locally (SW) or as car stock (SE).



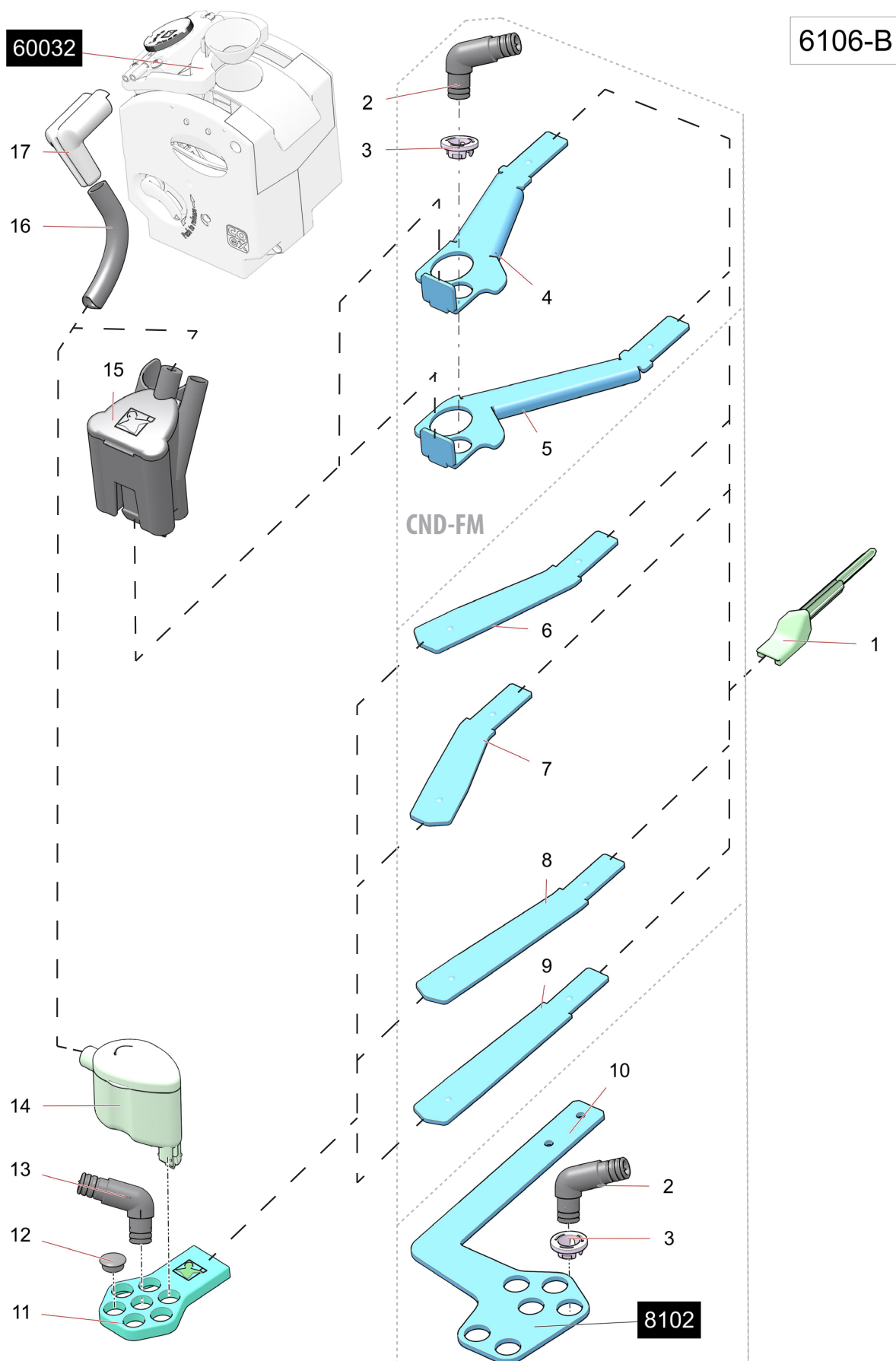
<b>Drawing</b>	<b>Pos</b>	<b>S</b>	<b>Part Nr</b>	<b>Qty</b>	<b>Spare Part Description</b>
					<b>SETS</b>
6003-C		SW	6ZBR051	1	Cylinder/piston assembly CoEx <i>with items 1 - 10</i>
60032-D		SW	9ZBR052	1	CoEx brewer assembly 9CND/9CEC <i>Without filter head</i>
					<i>See also drawing 6003 for more CoEx brewer assemblies with filter head</i>
					<b>PARTS</b>
60032-D	01		5KBR032	1	Cylinder
60032-D	02	SE	4BSC043	1	Screw 3.9x16
60032-D	03	SE	6ZBR152	1	Filter screen lower piston
60032-D	04		5KBR058	1	Scraping lower piston <i>Scraping ring outside + O-ring inside</i>
60032-D	05		5KBR067	1	Piston top
60032-D	06	SE	5KBR057	1	U-cup ring CoEx-piston (lower = coloured RED)
60032-D	07		5KBR066	1	Piston body
60032-D	08		5MBR034	1	Cam follower shaft
60032-D	09		n/a		<i>item not drawn</i>
60032-D	10		5KBR043	1	Slide block
60032-D	11		5MVR016	1	Spring
60032-D	12		5KBR040	1	Fixation cam
60032-D	13	SW	5KBR049	1	Fixation brewer
60032-D	14	SE	5BBK001	1	Bolt M4x40
60032-D	15		5KBR050	1	Brewer motor coupling
60032-D	16	SE	4BMZ037	1	Lock nut NYLR M4
60032-D	17		4BMZ042	3	Nut M6
60032-D	18		4BBG016	1	Clamp ring
60032-D	19		5KBR033	1	Frame brewer back side
60032-D	20		5KBR051	2	Spring holder
60032-D	21		4MVR010	2	Pressure Spring CoEx-brewer
60032-D	22		5KBR078	1	Curve disk behind CoEx
60032-D	23		6ZBR074	1	Main axis <i>including Fixing bus 4x40 (Stainless Steel)</i>
60032-D	24		n/a		Fixing bus 4x40 (Stainless Steel) <i>not available separately, order 6ZBR074, item 23</i>
60032-D	25		5KBR042	1	Curvecam piston
60032-D	26		5KBR079	1	Curve disk in front of CoEx
60032-D	27		4BBC048	2	Bolt M6X40
60032-D	28		5KBR041	1	Fixation knob
60032-D	29		4BBC047	1	Bolt M6x100
60032-D	30		5KBR034	1	Frame front side
60032-D	31		5KBR037	1	Swingarm front



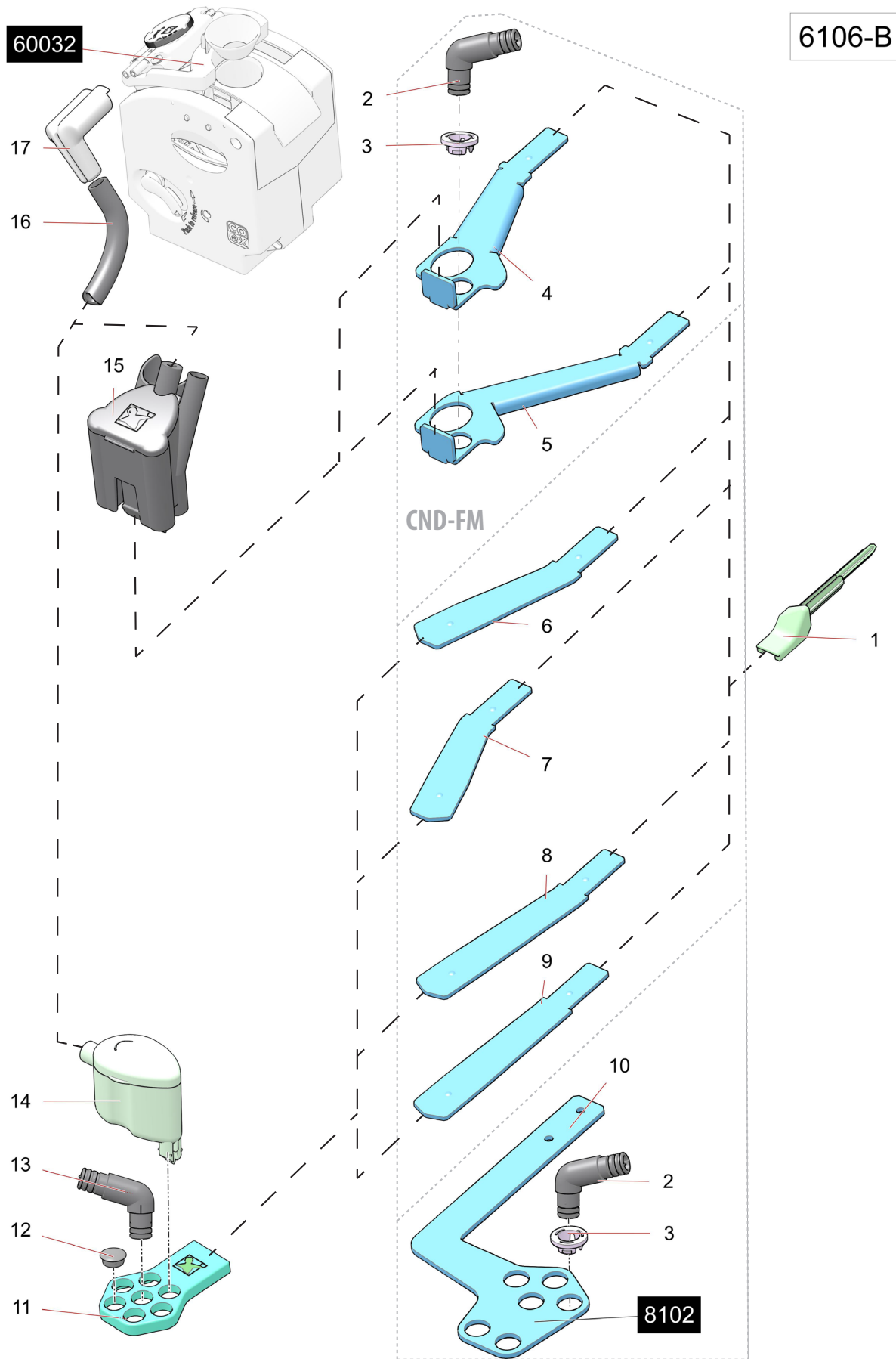


<i>Drawing</i>	<i>Pos</i>	<i>S</i>	<i>Part Nr</i>	<i>Qty</i>	<i>Spare Part Description</i>
60032-D	32		5KBR036	1	Swingarm back
60032-D	33		BR52	4	Hexagonal nut
60032-D	34		5KBR035	1	Brewer head
60032-D	35		4BPR005	4	Ring M5
60032-D	36		4BBK036	4	Bolt M5x40
60032-D	37		5KBR038	1	Knob upper piston
60032-D	38		5KBR039	1	Waste whiper
60032-D	39	SW	5KBR048	1	Funnel
					<b>HISTORY</b>
60032-D	03	SE	5MBR041	1	Filter screen lower piston <i>Replaced by 6ZBR152</i>
60032-D	09		<del>4BPN015</del>	1	Fixing bus 2x12 stainless steel <i>Not used anymore</i>

- Part numbers marked with "SE" are Service parts Engineer stock
- Part numbers marked with "SW" are Service parts Warehouse stock
- Part numbers marked with "n/a" are Not Available as spare part
- De Jong Duke recommends to have service parts available locally (SW) or as car stock (SE).

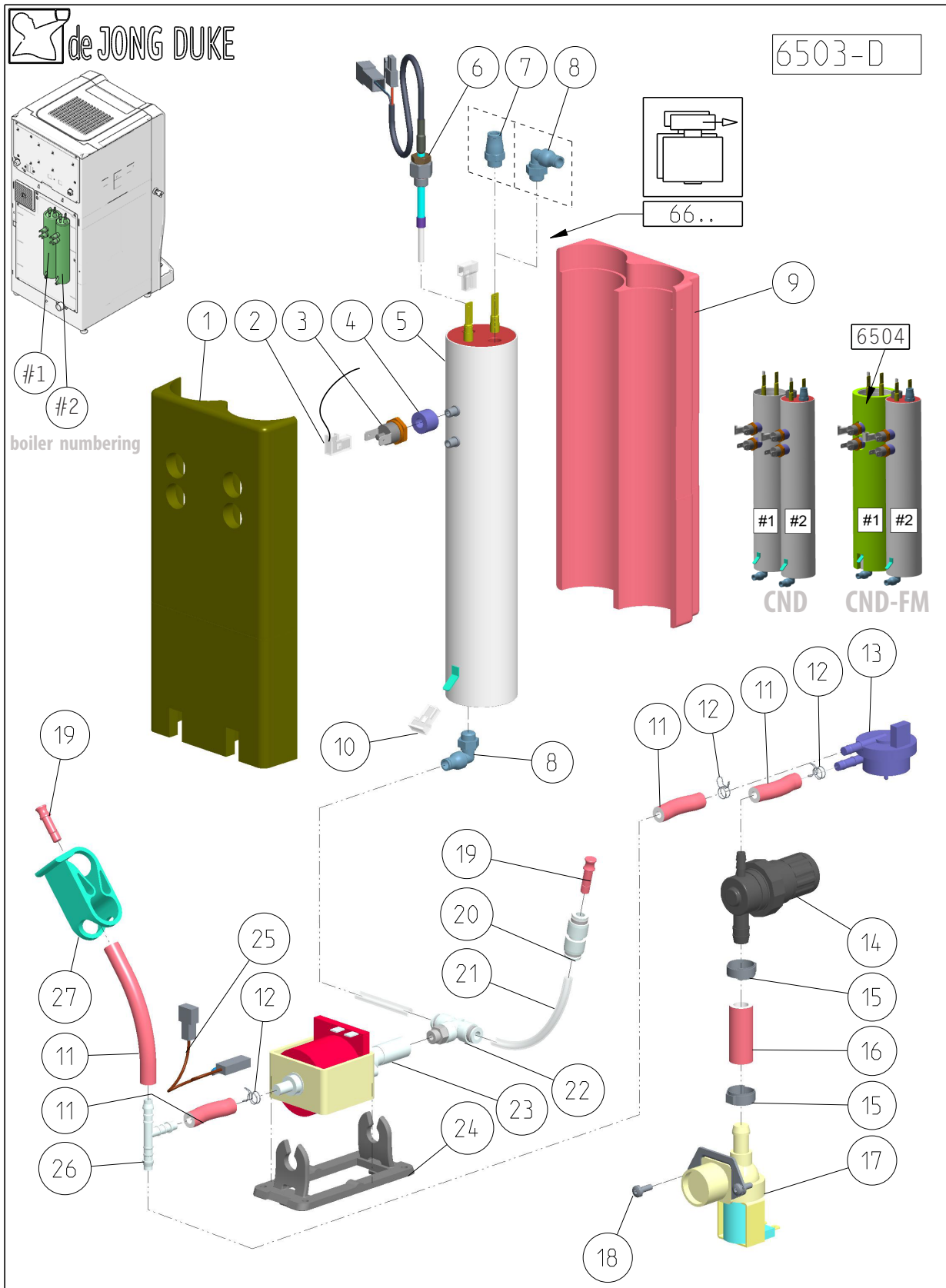


<b>Drawing</b>	<b>Pos</b>	<b>S</b>	<b>Part Nr</b>	<b>Qty</b>	<b>Spare Part Description</b>
8102					Refer to drawing 8102: Outlet Mechanism
6106-A	01	SW	5KBR061	1	Mounting bar CoEx outlet arm
<b>Outlet configuration Virtu/Zia/Siro (Touch) FM (9CND 2015-)</b>					
6106-A	02		5KVL022	n	Outlet knee
6106-A	03	SE	5KVL041	n	Clamp ring outlet pipe
6106-A	04		5MVL161	1	Outlet arm Virtu/Varea/Zia FM small <i>Central</i>
6106-A	05		5MVL163	1	Outlet arm Siro (Touch) FM small <i>Decentral</i>
<b>Outlet configuration default (9CND 2015-)</b>					
6106-A	06		5MVL162	1	Outlet arm Siro (Touch) small <i>Decentral</i>
6106-A	07		5MVL160	1	Outlet arm Virtu/Varea/Zia/Edge / V'eco/Avy/Lua/ Blu <i>Central</i>
<b>Outlet configuration default (9CEC)</b>					
6106-A	07		5MVL130	1	Outlet arm Blu/Avy/Lua <i>Central</i>
6106-A	08		5MVL085	1	Outlet arm Siro (Touch)/Virtu/Varea medium <i>Decentral</i>
6106-A	09		5MVL228	1	Outlet arm Zia medium <i>Decentral</i>
6106-A	10		5MBK073	1	Outlet arm Siro(Touch)/Virtu/Varea/Zia medium <i>Central, used with outlet mechanism</i>
<b>Outlet holder</b>					
6106-A	11		5KVL035	1	Outlet holder CoEx
6106-A	12		4KVL016	n	Outlet stop
6106-A	13		5KVL022	n	Outlet knee
<b>CoEx brewer outlet</b>					
6106-A			9VUL013	1	Dispensing nozzle assembly Coffee / Espresso for 9CND and 9CEC <i>with items 14, 16, 17</i>
6106-A	14		5KVL059	1	Outlet shute CoEx
6106-A	15		5KVL068	1	Outlet nozzle 2-way FM
6106-A	16	SE	4XSL003	1	Tube 8x12 grey
6106-A	17	SE	5RSL007	1	CoEx outlet single
<b>HISTORY</b>					
Outlet configuration Virtu/Zia/Siro (Touch) with Fresh Milk discontinued					
6106-A	04		5MVL154	1	Outlet bracket Virtu FM small / Zia FM (9CND) <i>Replaced by 5MVL161 from S/N 2015.51.xxxx.001</i>

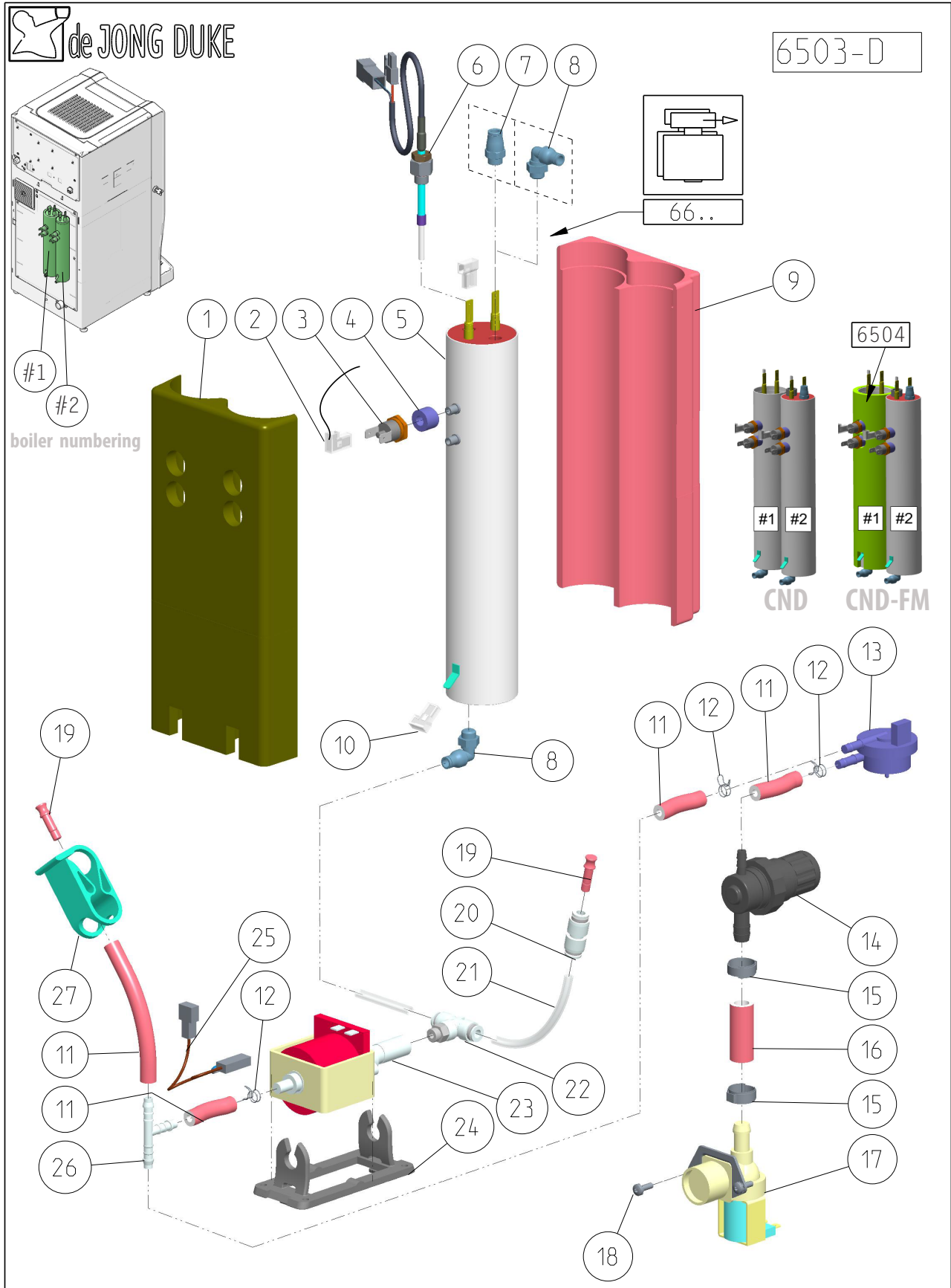


<b>Drawing</b>	<b>Pos</b>	<b>S</b>	<b>Part Nr</b>	<b>Qty</b>	<b>Spare Part Description</b>
6106-A	04		5MVL152	1	Outlet arm Virtu FM small / Zia FM (9CND) <i>Replaced by 5MVL161 from S/N 2015.51.xxxx.001</i>
6106-A	05		5MVL153	1	Outlet arm Siro (Touch) FM small (9CND) <i>One-piece replacement of items 2 + 4</i> <i>Replaced by 5MVL163 from S/N 2015.51.xxxx.001</i>
Outlet configuration Virtu/Zia discontinued					
6106-A	07		5MVL144	1	Outlet bracket 9CND (l=92) (Virtu / Zia) <i>Replaced by 5MVL187 from S/N 2014.04.2318.007</i>
6106-A	07		5MVL143	1	Outlet arm 9CND (Virtu / Zia) <i>Replaced by 5MVL187 from S/N 2014.04.2318.007</i>
6106-A	07		5MVL187	1	Outlet arm Virtu small / Zia (9CND) <i>Replaced by 5MVL160 from S/N 2015.51.xxxx.001</i>
6106-A	06		5MVL041	1	Outlet arm Siro (Touch) small (9CND) <i>Replaced by 5MVL162 from S/N 2015.51.xxxx.001</i>

- Part numbers marked with "SE" are Service parts Engineer stock
- Part numbers marked with "SW" are Service parts Warehouse stock
- Part numbers marked with "n/a" are Not Available as spare part
- De Jong Duke recommends to have service parts available locally (SW) or as car stock (SE).



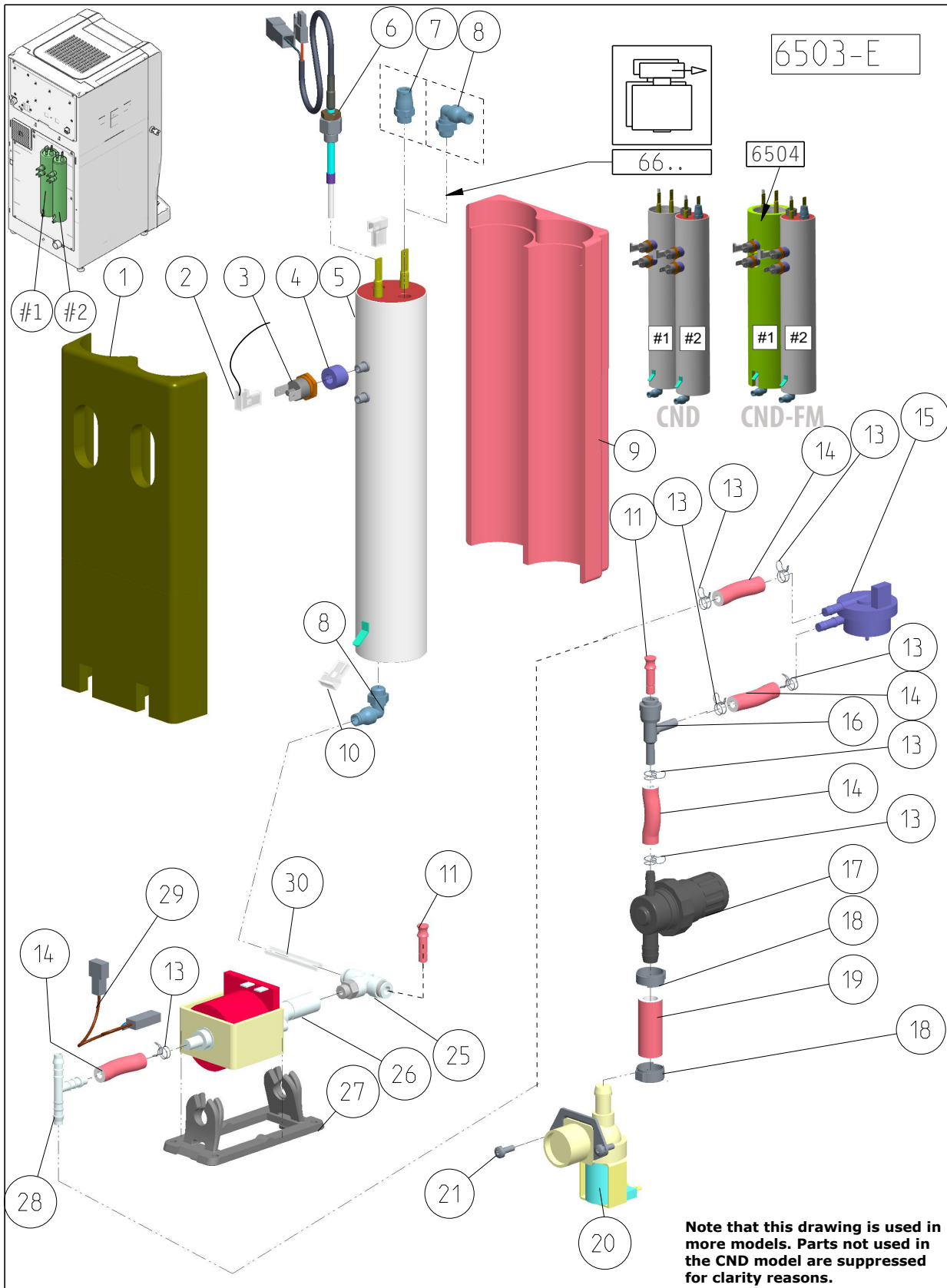
<b>Drawing</b>	<b>Pos</b>	<b>S</b>	<b>Part Nr</b>	<b>Qty</b>	<b>Spare Part Description</b>
					<b>REFERENCES</b>
66..					Refer to drawing valves : 6601 CND (metal) , 6604 CND (plastic)
6504					Refer to drawing Steam Boiler 9CND FM : 6504 CND
					<b>SETS - 230V - 2 clixons (9CND)</b>
			6VBL114		Pressure boiler (#1) 1660W / 230 VAC assembly <i>with items: 3, 4, 5, 6, 8 (2 x 4KPF027)</i>
			6VBL115		Pressure boiler (#2) 1660W / 230 VAC assembly <i>with items: 3, 4, 5, 6, 8 (1 x 4KPF027)</i>
			6VBL074		Pressure boiler 1660W / 230 VAC assembly <i>with items: 3, 4, 5, 7(1 x 4MPF034), 8 (1 x 4KPF032)</i>
			6VBL092-4		Pressure boiler 1660W / 230 VAC assembly <i>with item: 2, 3, 4, 5, 6, 7 (1x4MPF100), 8 (1x4KPF027) and 21</i>
					<b>SETS - 120V-USA</b>
			6VBL094		Pressure boiler (#1) 1200W / 120 VAC (1 clixon) assembly <i>with items: 3, 4, 5, 6, 8 (1x4MPF032)</i>
			6VBL097		Pressure boiler (#2) 1200W / 120 VAC (1 clixon) assembly <i>with items: 3, 4, 5, 6, 8 (2x4MPF032)</i>
					<b>PARTS</b>
6503-D	01		5KVL042		Front isolation for boilers
6503-D	02		6CKB288		Clixon phase wire
6503-D	03	SW	4EBV018		Temperature safety clixon 110+/-5°C
6503-D	04		5MVL037		Clixon spacer
6503-D	05	SW	6VBL117		Pressure boiler 1660W 230VAC
6503-D	05	SW	6VBL075		Pressure boiler 1200W 120VAC <i>US only</i>
6503-D	06	SE	6CSS059	2	Boiler temperature and level probe 135 mm <i>For 1660W boiler (6VBL117); check Information Bulletin IB-20210608 for more details</i>
6503-D	06	SE	6CSS037	2	Boiler temperature and level probe 90 mm <i>For 1400W boiler (6VBL071); check Information Bulletin IB-20210608 for more details</i>
6503-D	07	SE	4MPF034		Push-in straight fitting 1/8"BU-sl6mm
6503-D	07	SE	4MPF100		Push-in straight fitting 1/8"bd-sl6mm (stainless steel)
6503-D	08	SE	4MPF032		Push-in L fitting 1/8bd-sl6mm
6503-D	08	SE	4KPF027		Quick connection PPSU L 1/8bd sl6mm
6503-D	09		5KVL043		Back isolation for boilers
6503-D	10				Ground wire (from main wire harness)
6503-D	11	SE	4XSL037		Pressure hose 5x11
6503-D	12	SE	4MVR013		Hose clamp 11mm
6503-D	13	SE	4ESE008		Water counter / Flow meter 1.8mm



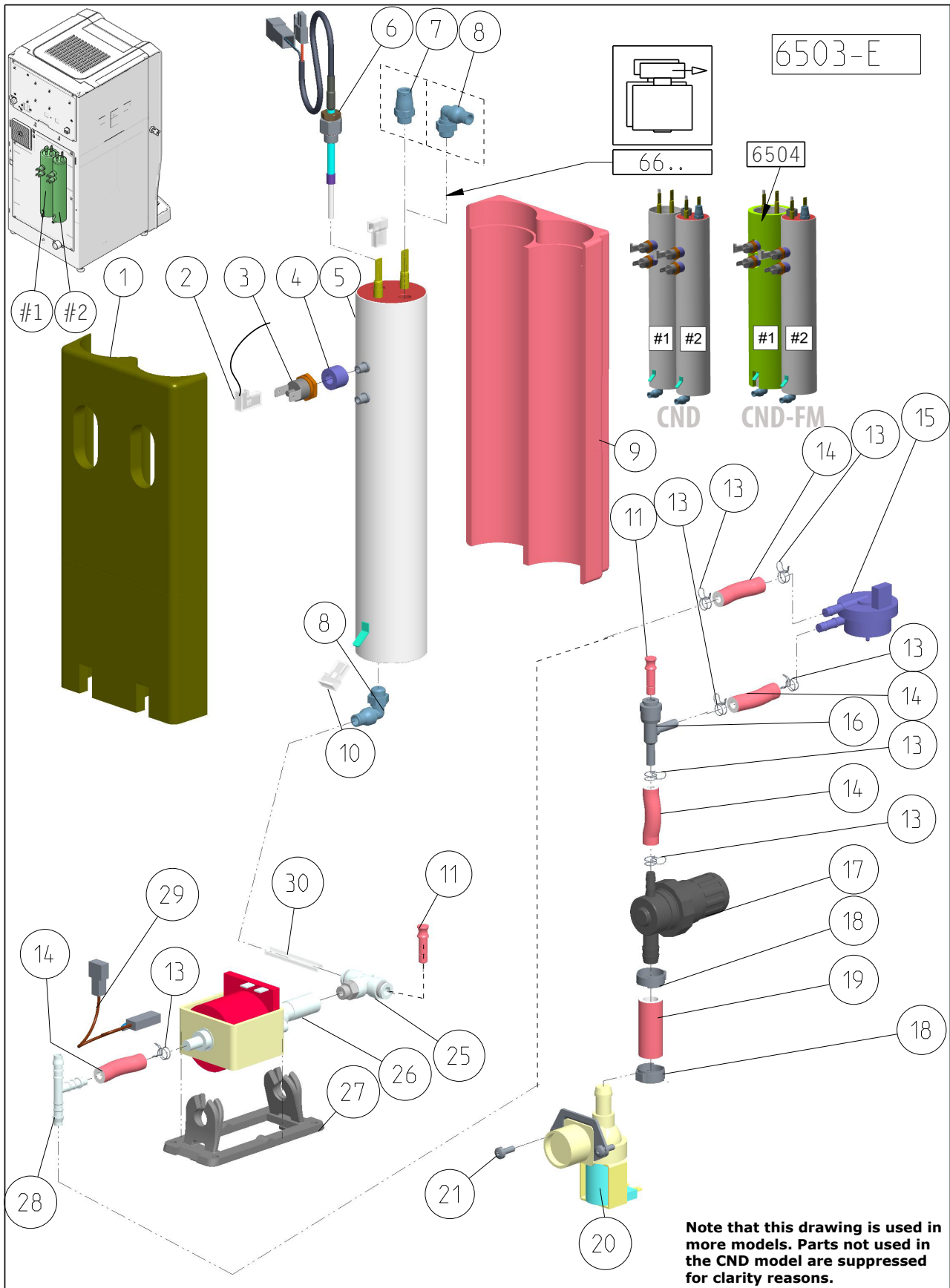


<b>Drawing</b>	<b>Pos</b>	<b>S</b>	<b>Part Nr</b>	<b>Qty</b>	<b>Spare Part Description</b>
6503-D	14	SE	4MVL011		Pressure reducer 0-2 bar
6503-D	15	SE	4BKM046		Hose clamp 18.5 R
6503-D	16	SE	4XSL050		Pressure hose 10x16 PVC
6503-D	17	SE	4EMV070		Inlet valve 24V DC with backflow protection
6503-D	18	SE	4BBK032		Bolt M4x12 and washer
6503-D	19		5MPF007		Plug 6mm
6503-D	20	SE	4KPF025		Push-in straight fitting 6mm-6mm (PPSU)
6503-D	21	SE	4XSL035		Pressure tube 6mm
6503-D	22	SE	4KPF023		Push-in T fitting 1/8bd sl6mm (PPSU)
6503-D	23	SE	4EMT027		Pump 0-15bar
6503-D	24	SW	5RVA019		Rubber pump mounting
6503-D	25	SE	6CKB511		Thermal cutout / temperature protection <i>Added from S/N 2018.01.xxxx.001</i>
6503-D	26	SE	4KVL013		T-connector 4mm
6503-D	27		4KVL010		Hose cut off clamp 19mm
					<b>HISTORY</b>
6503-D	03	SW	4EBV016		Temperature safety clixon 110+/-5°C <i>Replaced by 4EBV018</i>
6503-D	05	SW	6VBL071		Pressure boiler 1400W 230Vac <i>Replaced by 6VBL117 from S/N 2021.14.0428.001; check Information Bulletin IB-20210608 for more details</i>
6503-D	07	SE	4MPF088		Push-in straight fitting 1/8"BU-sl6mm (stainless steel) <i>Replaced by 4MPF100 from S/N 2018.40.xxxx.001</i>
6503-D	08	SE	4MPF087		Push-in L fitting 1/8bd-sl6mm (stainless steel) <i>Replaced by 4KPF027 from S/N 2015.02.xxxx.001</i>
6503-D	14	SE	4MVL010		Pressure reducer 0-2 bar <i>Replaced by 4MVL011 from S/N 2014.41.xxxx.001</i>
6503-D	15	SE	4BKM047		Hose clamp 19.5 R <i>Replaced by 4BKM046 from S/N 2017.18.xxxx.001</i>
6503-D	16	SE	4XSL042		Pressure hose 10x18 <i>Replaced by 4XSL050 from S/N 2017.18.xxxx.001</i>
6503-D	17	SE	4EMV059		Inlet valve 24V DC with backflow protection <i>Replaced by 4EMV070 from S/N 2015.40.xxxx.001</i>
6503-D	19		4MPF077		Plug 6mm <i>Replaced by 5MPF007 from S/N 2013.04.xxxx.001</i>
6503-D	20	SE	4MPF064		Push-in straight fitting 6mm-6mm <i>Replaced by 4KPF025</i>
6503-D	20	SE	4MPF092		Push-in straight fitting 6mm-6mm (stainless steel) <i>Replaced by 4KPF025</i>

- Part numbers marked with "SE" are Service parts Engineer stock
- Part numbers marked with "SW" are Service parts Warehouse stock
- Part numbers marked with "n/a" are Not Available as spare part
- De Jong Duke recommends to have service parts available locally (SW) or as car stock (SE).

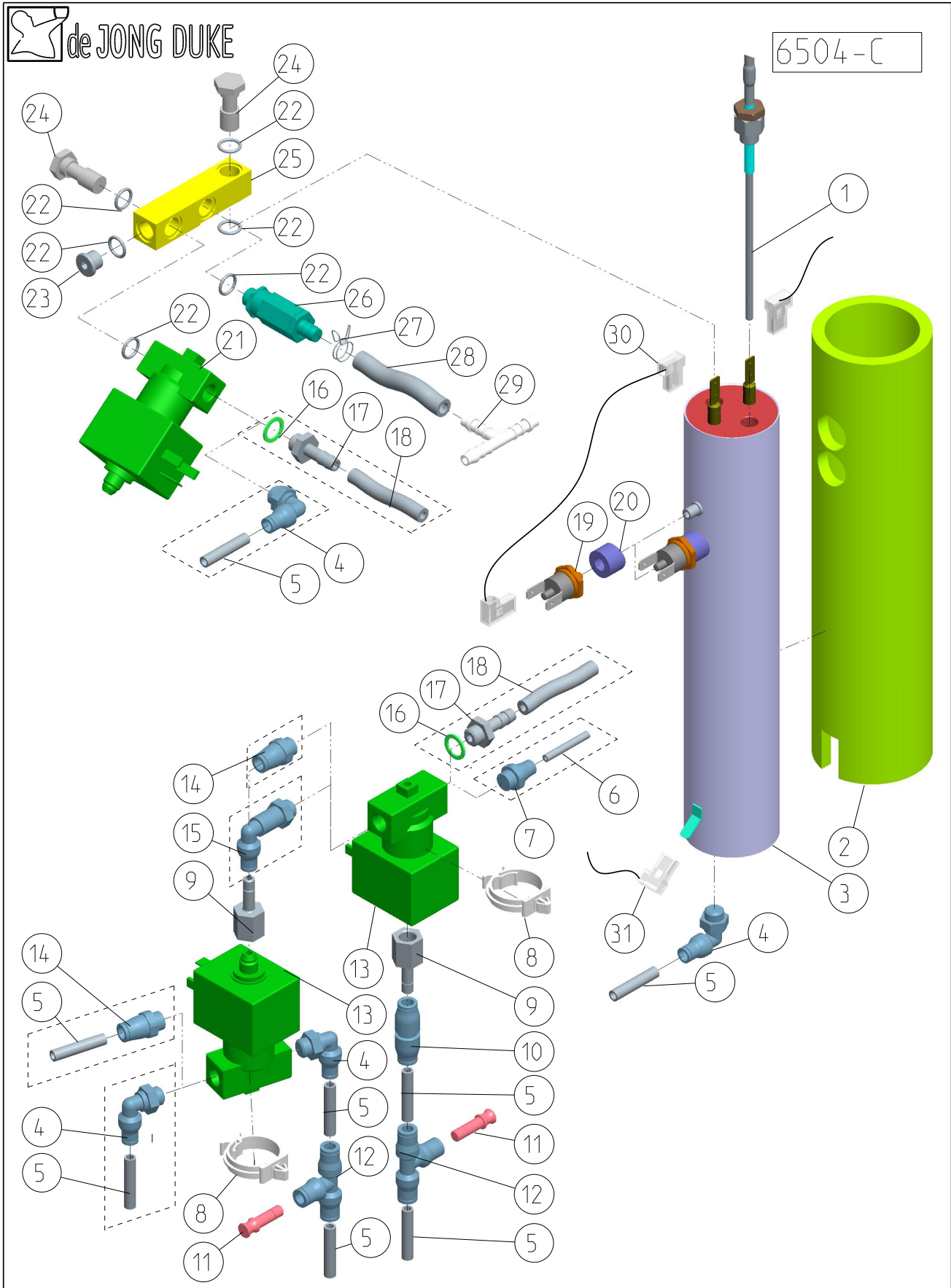


<b>Drawing</b>	<b>Pos</b>	<b>S</b>	<b>Part Nr</b>	<b>Qty</b>	<b>Spare Part Description</b>
					<b>REFERENCES</b>
66..					Refer to drawing valves : 6601 CND (metal) , 6604 CND (plastic)
6504					Refer to drawing Steam Boiler 9CND FM : 6504 CND
					<b>SETS - 230V - Pressure Boiler</b>
			6VBL130		Pressure boiler (#1) 1660W / 230 VAC (2 clixons) assembly <i>with items: 3, 4, 5, 6, 8 (2 x 4KPF027)</i>
			6VBL113		Pressure boiler (#2) 1660W / 230 VAC (2 clixons) assembly <i>with items: 3, 4, 5, 6, 8 (1 x 4KPF027)</i>
			6VBL074		Pressure boiler 1660W / 230 VAC (2 clixons) assembly <i>with items: 3, 4, 5, 7 (1 x 4MPF034), 8 (1 x 4KPF032)</i>
			6VBL092-4		Pressure boiler 1660W / 230 VAC assembly <i>with items: 2, 3, 4, 5, 6, 7 (1 x 4MPF100), 8 (1 x 4KPF027) and 30</i>
					<b>PARTS</b>
6503-E	01		5KVL042	1	Front isolation for boilers
6503-E	02		6CKB288	2	Clixon phase wire
6503-E	03	SW	4EBV018	2	Temperature safety clixon 110+/-5°C
6503-E	04		5MVL037	2	Clixon spacer
6503-E	05	SW	6VBL117		Pressure boiler 1660W 230Vac
6503-E	05	SW	6VBL075		Pressure boiler 1200W 120Vac <i>US only</i>
6503-E	06	SE	6CSS059	2	Boiler temperature and level probe 135 mm <i>For 1660W boiler (6VBL117); check Information Bulletin IB-20210608 for more details</i>
6503-E	06	SE	6CSS037	2	Boiler temperature and level probe 90 mm <i>For 1400W boiler (6VBL071); check Information Bulletin IB-20210608 for more details</i>
6503-E	07		4MPF100		Quick connection straight 1/8bd sl6mm (PPSU-stainless steel)
6503-E	08	SE	4KPF027		Quick connection PPSU L 1/8bd sl6mm
6503-E	09		5KVL043	1	Back isolation for boilers
6503-E	10				Ground wire (from main wire harness)
6503-E	11		5MPF007	2	Plug 6mm
6503-E	12		n/a		
6503-E	13	SE	4MVR013	6	Hose clamp 11mm
6503-E	14	SE	4XSL037	2	Pressure hose 5x11
6503-E	15	SE	4ESE008	1	Water counter / Flow meter 1.8mm
6503-E	16		4KPF055	1	Quick connection PPSU T 6-6-sl6
6503-E	17	SE	4MVL011	1	Pressure reducer 0-2 bar
6503-E	18	SE	4BKM046	2	Hose clamp 18.5 R

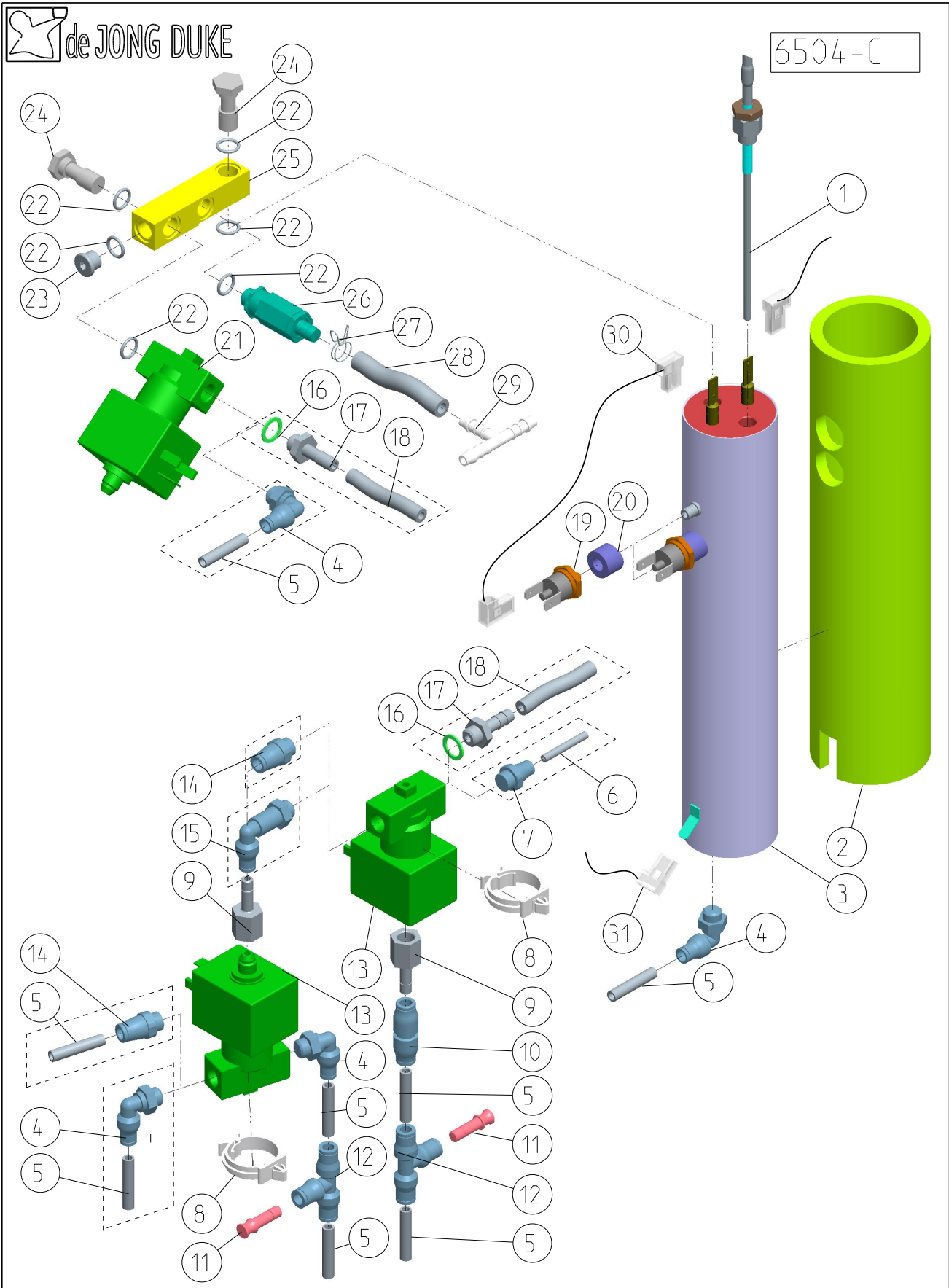


<b>Drawing</b>	<b>Pos</b>	<b>S</b>	<b>Part Nr</b>	<b>Qty</b>	<b>Spare Part Description</b>
6503-E	19	SE	4XSL050	1	Pressure hose 10x16 PVC
6503-E	20	SE	4EMV070	1	Inlet valve 24V DC with backflow protection
6503-E	21	SE	4BBK032	2	Bolt M4x12 and washer
6503-E	22		n/a		
6503-E	23		n/a		
6503-E	24		n/a		
6503-E	25	SE	4KPF023	2	Push-in T fitting 1/8bd sl6mm (PPSU)
6503-E	26	SE	4EMT027		Pump 0-15bar
6503-E	27	SW	5RVA019		Rubber pump mounting
6503-E	28	SE	4KVL013		T-connector 4mm
6503-E	29	SE	6CKB511		Thermal cutout / temperature protection <i>Added from S/N 2018.01.xxxx.001</i>
6503-E	30	SE	4XSL035		Pressure tube 6mm
					<b>HISTORY</b>
6503-E	05		<del>6VBL071</del>		Pressure boiler 1400W 230Vac <i>Replaced by 6VBL117 from S/N 2021.14.0428.001; check Information Bulletin IB-20210608 for more details</i>

- Part numbers marked with "SE" are Service parts Engineer stock
- Part numbers marked with "SW" are Service parts Warehouse stock
- Part numbers marked with "n/a" are Not Available as spare part
- De Jong Duke recommends to have service parts available locally (SW) or as car stock (SE).



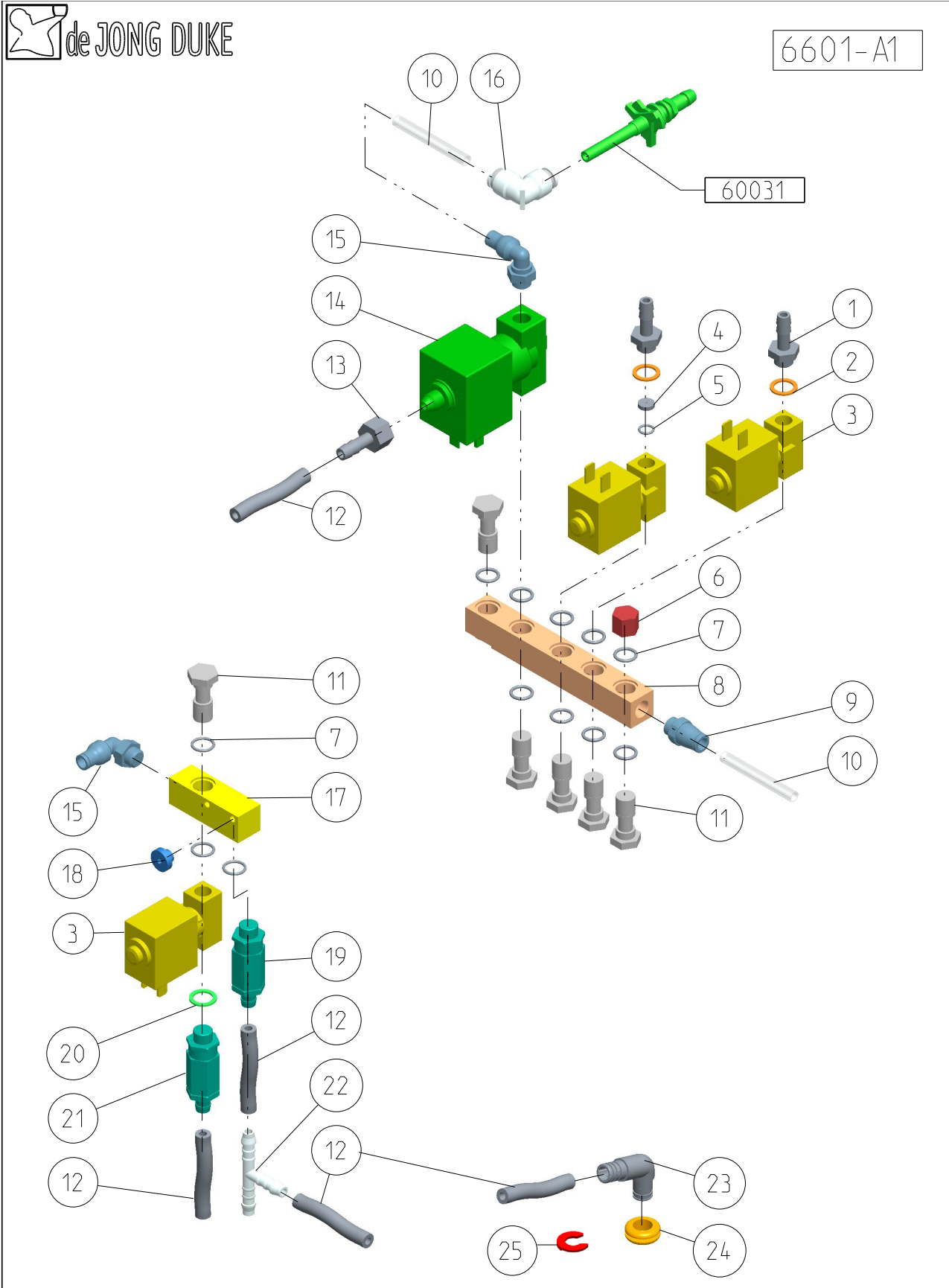
<b>Drawing</b>	<b>Pos</b>	<b>S</b>	<b>Part Nr</b>	<b>Qty</b>	<b>Spare Part Description</b>
					<b>SETS</b>
			9VBL056		Steam boiler (#1) 1660W / 230 VAC (2 clixons) assembly <i>with items: 1, 2, 3, 4, 19, 20</i>
			6VBL100		Steam boiler (#1) 1200W / 120 VAC (1 clixon) assembly <i>with items: 1, 2, 3, 4, 19, 20</i>
					<b>PARTS</b>
6504-C	01	SE	6CSS059	1	Temperature/level sensor 135mm <i>For 1660W boiler (6VBL117); check Information Bulletin IB-20210608 for more details</i>
6504-C	01	SE	6CSS037	1	Temperature/ level sensor 90mm <i>For 1400W boiler (6VBL071); check Information Bulletin IB-20210608 for more details</i>
6504-C	02	SE	4XSL041		Foam silicone hose in47x59±0.5
6504-C	03	SW	6VBL117	1	Steam boiler 1660W / 230VAC
6504-C	03	SW	6VBL075	1	Steam boiler 1200W / 120VAC <i>US only</i>
6504-C	04	SE	4MPF032	4	Push-in L fitting 1/8bd sl6mm
6504-C	04	SE	4KPF027	4	Quick connection PPSU L 1/8bd sl6mm
6504-C	05	SE	4XSL035		Pressure tube 6mm
6504-C	06	SW	4XSL038		Tube PE 4 x 2,5 mm food
6504-C	07		4MPF065	1	Insert connector 1/8 - 4
6504-C	08	SE	4BKM043	2	Clamb 25,4mm for valve
6504-C	09	SE	5MPF009+ 4ROR020	2	Push-in straight fitting 6mm- G1/8inw (stainless steel) + O-ring
6504-C	10		4MPF025	1	Insert connector 6-6
6504-C	11		5MPF007	2	Stop 6mm
6504-C	12	SW	4MPF048	2	Water connection T 3x6mm
6504-C	13	SE	4EMV035	2	Boiler selection valve 3-way
6504-C	13	SE	4EMV066	1	Boiler selection valve 3-way (stainless steel)
6504-C	14	SE	4MPF034	2	Water connection 1/8" brass
6504-C	15	SE	4MPF063	1	Insert connector L 6-1/8
6504-C	16	SE	4BPR031	2	Sealing ring fiber 14x10x1
6504-C	17	SW	4MPF044	2	Tube pillar G1/8"
6504-C	17	SW	5MPF014	2	Tube pillar G1/8" (stainless steel)
6504-C	18	SE	4XSL046		Silicone tube transparent 4x8 44cm
6504-C	19	SE	4EBV014	1	Clixon safety 125 C +/- 5 C for steam boiler
6504-C	20		5MVL037	1	Clixon spacer
6504-C	21	SE	9VIL019	1	Steam valve 3-Way, 2mm <i>with item 22</i>
6504-C	21	SE	4EMV060	1	Steam valve 3-Way, 2mm (stainless steel)
6504-C	22	SE	4ROR049	6	O-ring 9,1x1,6mm
6504-C	23		4MPF039	1	Stop 1/8" (brass)



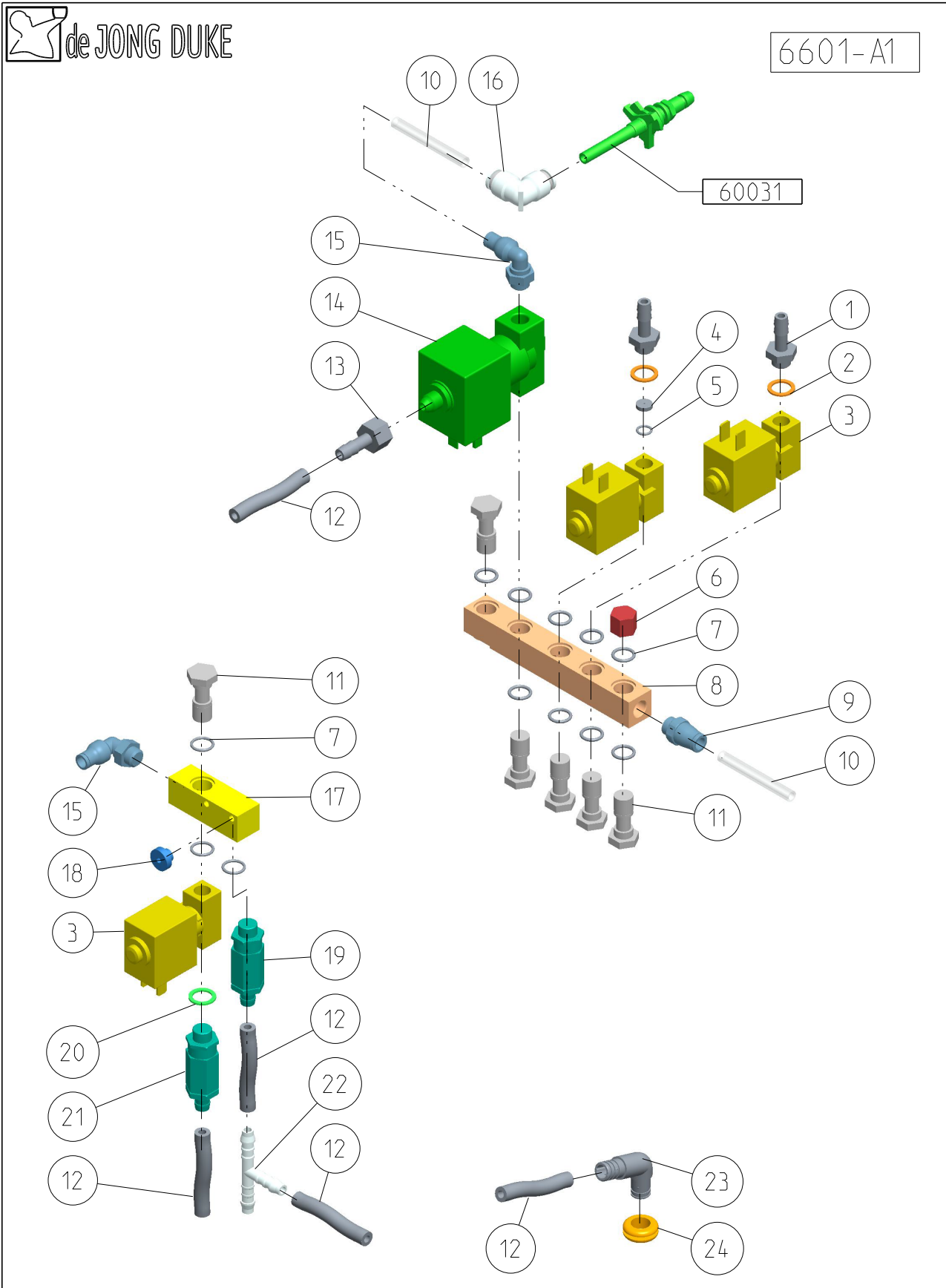


<b>Drawing</b>	<b>Pos</b>	<b>S</b>	<b>Part Nr</b>	<b>Qty</b>	<b>Spare Part Description</b>
6504-C	23		5MPF012	1	Stop 1/8" (stainless steel)
6504-C	24	SE	5MPF019	2	Banjo bolt G1/8" L=27mm
6504-C	25	SW	5MVL089	1	Manifold steam valve
6504-C	25	SW	5MVL174	1	Manifold steam valve (stainless steel)
6504-C	26	SE	4KPF046	1	Safety valve 5 Bar (PPSU)
6504-C	27	SE	4MVR013	1	Tube clamp 11-11,6 metal
6504-C	28	SE	4XSL002		Silicone tube grey 6x10
6504-C	29	SE	4KVL013	1	T connection 4mm
6504-C	30		6CKB288	2	Phase wire
6504-C	31				Ground wire (from wire harness)
					<b>HISTORY</b>
6504-C	03		<del>6VBL071</del>	1	Pressure boiler 1400W / 230VAC <i>Replaced by 6VBL117 from S/N 2021.14.0428.001; check Information Bulletin IB-20210608 for more details</i>
6504-C	04		<del>4MPF087</del>	4	Push-in L fitting 1/8bd sl6mm (stainless steel) <i>Replaced by 4KPF027 from S/N 2019.04.xxxx.001</i>
6504-C	09		<del>5MPF008+4ROR020</del>	2	Push-in straight fitting 6mm- G1/8inw + O-ring <i>Replaced by 5MPF009+4ROR020</i>
6504-C	13		<del>4EMV061</del>	1	Boiler selection valve 3-way (stainless steel) <i>Replaced by 4EMV066 from S/N 2015.17.xxxx.001</i>
6504-C	21		<del>4EMV042</del>	1	Steam valve 3-Way, 2mm <i>Replaced by 9VIL019 (4EMV042+4ROR021)</i>
6504-C	22	SE	4ROR021	6	O-ring pressure boiler connections 9,1x1,6mm <i>Replaced by 4ROR049 from S/N 2021.48.xxxx.xxx</i>
6504-C	26		4MPF094	1	Safety valve 5 Bar (stainless steel)

- Part numbers marked with "SE" are Service parts Engineer stock
- Part numbers marked with "SW" are Service parts Warehouse stock
- Part numbers marked with "n/a" are Not Available as spare part
- De Jong Duke recommends to have service parts available locally (SW) or as car stock (SE).



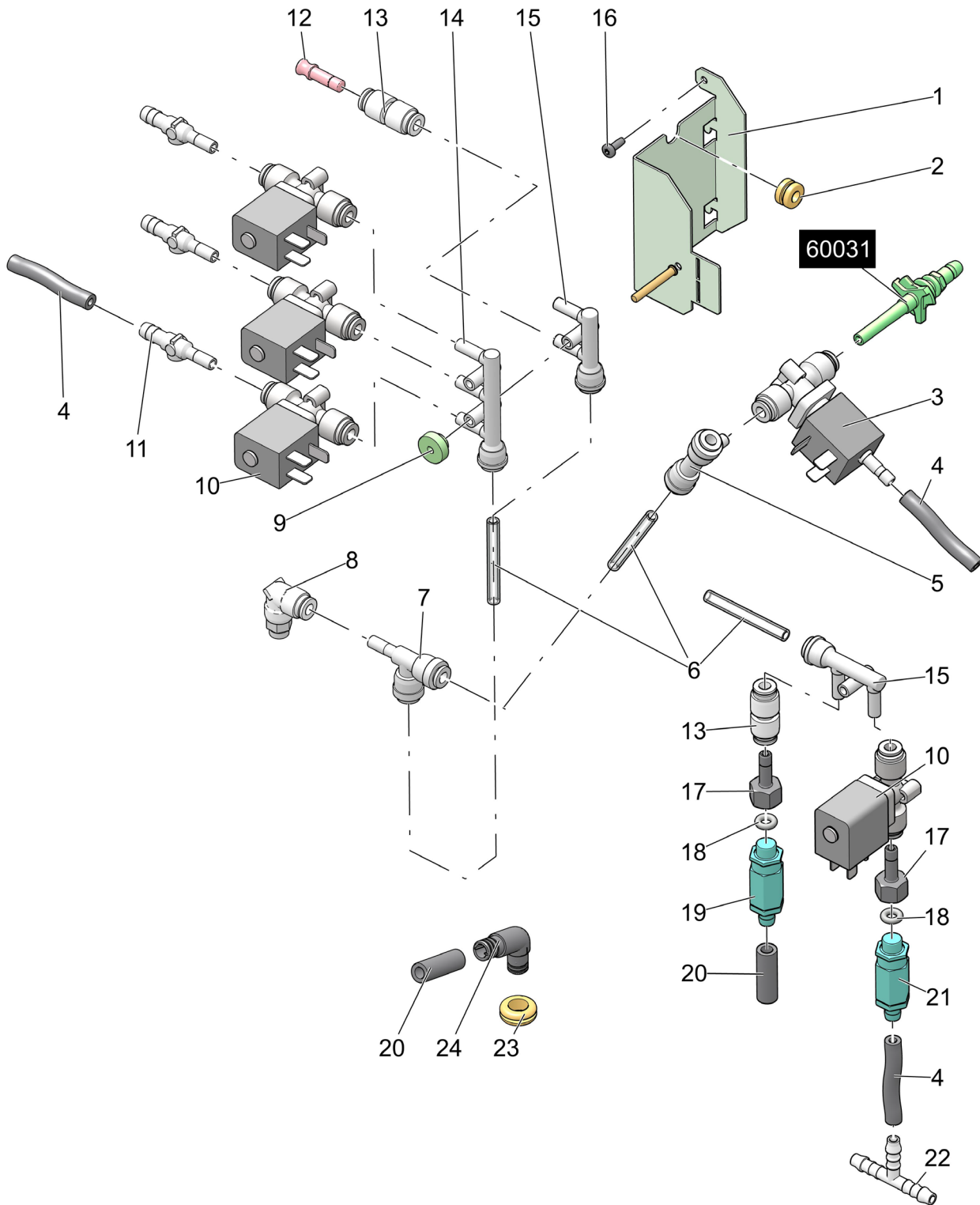
<b>Drawing</b>	<b>Pos</b>	<b>S</b>	<b>Part Nr</b>	<b>Qty</b>	<b>Spare Part Description</b>
60031					Refer to drawing 60031: CoExBrewer Motor Assembly
6601-A	01	SW	4MPF044		Tube pilar G1/8"
6601-A	01	SW	5MPF014		Tube pilar G1/8" (stainless steel)
6601-A	02	SE	4BPR039		Copper ring for manifolds and valves 14x10x1
6601-A	03	SE	9VIL016		2-way valve 4EMV068 with external spring <i>with item 07 (2x)</i>
6601-A	03	SE	4EMV057		2-way valve (stainless steel)
6601-A	04		5MVL176		Restriction Disc Hot Water <i>Discontinued in production from S/N 2017.15.xxxx.001 When removed also remove item 05 (4ROR015)</i>
6601-A	05	SE	4ROR015		O-ring 4.47x1.78 <i>Discontinued in production from S/N 2017.15.xxxx.001</i>
6601-A	06		4MPF041		Cap G1/8
6601-A	06		4MPF079		Cap G1/8 (stainless steel)
6601-A	07	SE	4ROR049		O-ring 9.1x1.6
6601-A	08		5MVL100		Manifold 4 valves 1 output port
6601-A	08		5MVL171		Manifold 4 valves 1 output port (stainless steel)
6601-A	09	SE	4MPF034		Push-in straight fitting 1/8BU-sl6mm
6601-A	09	SE	4MPF100		Push-in straight fitting 1/8bd-sl6mm (stainless steel)
6601-A	10	SE	4XSL035		Pressure tube 6x4
6601-A	11	SE	5MPF019		Banjo bolt G1/8" L=27mm (stainless steel)
6601-A	12	SW	4XSL002		Tube 6x10 Grey
6601-A	13	SW	4MPF047		Tube pilar G1/8"P-inw
6601-A	14	SE	9VIL017		3-way coffee valve 4EMV032 <i>with item 07 (2x)</i>
6601-A	14	SE	4EMV058		3-way coffee valve (stainless steel)
6601-A	15	SE	4MPF032		Push-in L fitting 1/8bd-sl6mm
6601-A	15	SE	4KPF027		Push-in L fitting 1/8bd-sl6mm (PPSU)
6601-A	16		4KPF024		Push-in L fitting 6mm-6mm (PPSU)
6601-A	17		5MVL101		Manifold 1 valve 1 output port
6601-A	17		5MVL172		Manifold 1 valve 1 output port (stainless steel)
6601-A	18		4BMV011		Knurled Tooling Nut M3 White Nylon
6601-A	19	SE	4MPF085		Safety valve 12Bar (stainless steel)
6601-A	20	SE	4BPR031		Sealing ring fiber
6601-A	21	SE	4MPF084		Safety valve 2Bar
6601-A	22	SE	4KVL013		T-connector 4mm
6601-A	23		5KVL022		Outlet knee 107 grd d=10 2x
6601-A	24		4RDT010		Cable grommet 10x12x18 for 2mm plate
6601-A	25		4BBG030		Locking clip 9-10mm



<i>Drawing</i>	<i>Pos</i>	<i>S</i>	<i>Part Nr</i>	<i>Qty</i>	<i>Spare Part Description</i>
<b>HISTORY</b>					
6601-A	03		4EMV031		2-way valve <i>Replaced by 4EMV065 from S/N 2015.05.xxxx.001</i>
6601-A	03		4EMV065		2-way valve with stainless steel piston <i>Replaced by 4EMV068 from S/N 2015.50.xxxx.001</i>
6601-A	07	SE	4ROR021		O-ring 9.1x1.6 <i>Replaced by 4ROR049 from s/n 2021.48.xxxx.001</i>
6601-A	09	SE	4MPF088		Push-in straight fitting 1/8"BU-sl6mm (stainless steel) <i>Replaced by 4MPF100 from S/N 2018.40.xxxx.001</i>
6601-A	11	SE	4MPF045		Banjo bolt G1/8" L=27mm <i>Replaced by 5MPF019</i>
6601-A	15	SE	4MPF087		Push-in L fitting 1/8bd-sl6mm (stainless steel) <i>Replaced by 4KPF027 from S/N 2015.02.xxxx.001</i>
6601-A	16		4MPF046		Push-in L fitting 6mm-6mm <i>Replaced by 4KPF024 from S/N 2014.40.xxxx.001</i>
6601-A	19	SE	4MPF028		Safety valve 12Bar <i>Replaced by 4MPF085 from S/N 2014.11.xxxx.001</i>
6601-A	21	SE	4MPF059		Safety valve 2Bar <i>Replaced by 4MPF084 from S/N 2014.05.xxxx.001</i>
6601-A	25		4BBG026		Locking clip 6mm <i>Replaced by 4BBG030</i>

- Part numbers marked with "SE" are Service parts Engineer stock
- Part numbers marked with "SW" are Service parts Warehouse stock
- Part numbers marked with "n/a" are Not Available as spare part
- De Jong Duke recommends to have service parts available locally (SW) or as car stock (SE).

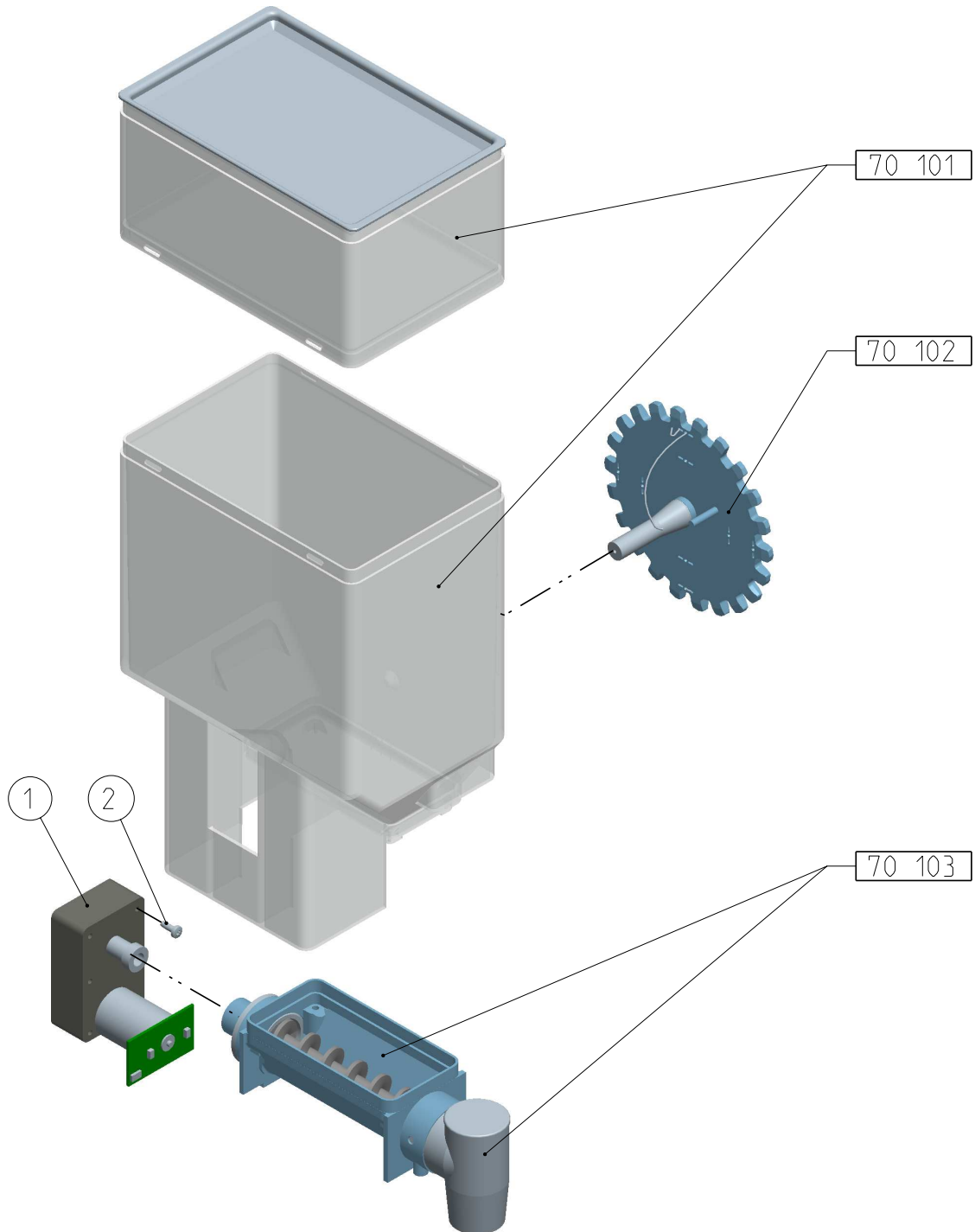
6604-B



<b>Drawing</b>	<b>Pos</b>	<b>S</b>	<b>Part Nr</b>	<b>Qty</b>	<b>Spare Part Description</b>
60031					Refer to drawing 60031: CoExBrewer Motor Assembly
6604-B	01		5MVL227	1	Bracket for Valves Plastic CND
6604-B	02		4RDT012	1	Cable Grommet 6x13 hole10
6604-B	03		4EMV063	1	Outlet Valve Plastic 3-way DN1,5/12,5bar
6604-B	04		4XSL002	4	Tube 4x8 grey with PPSU valves and manifold
6604-B	04		4XSL001	4	Tube 4x8 grey with metal valves & manifold
6604-B	05		4KPF032	1	Quick Connection PPSU T sl6-pipe6-sl6
6604-B	06		4XSL035	3	Pressure Tube PTFE 6x4
6604-B	07		4KPF031	1	Quick Connection PPSU T pipe6-sl6-sl6
6604-B	08		4KPF027	1	Quick Connection PPSU L 1/8BD sl6
6604-B	09		4BMV007	1	Knurled Nut M4 off-white
6604-B	10		4EMV062	1	Outlet Valve Plastic 2-way DN1,5/16bar
6604-B	11		4KPF039	1	Insert Hose Barb PPSU sl6
6604-B	12		5MPF007	1	Plug 6mm
6604-B	13		4KPF025	1	Quick Connection PPSU straight 6mm-6mm
6604-B	14		4KPF037	1	Manifold PPSU 3-out closed
6604-B	15		4KPF036	1	Manifold PPSU 2-out closed
6604-B	16		4BSC022	1	Cutting screw
6604-B	17		5MPF009	2	Insert Connection 6-1/8
6604-B	18		4BPR031	2	Sealing ring fiber 10x14x1
6604-B	19		4MPF085	1	Safety Valve 12 bar (stainless steel 303)
6604-B	20		4XSL002	1	Silicone tube grey 6x10
6604-B	21		4MPF084	1	Pressure Relief Valve 2 bar (stainless steel 303)
6604-B	22		4KVL013	1	Tube Connection T POM Di=4mm
6604-B	23		4RDT010	1	Cable Grommet 6x18 hole12
6604-B	24		5KVL022	1	Outlet Knee 107 grd d=10 2x

- Part numbers marked with "SE" are Service parts Engineer stock
- Part numbers marked with "SW" are Service parts Warehouse stock
- Part numbers marked with "n/a" are Not Available as spare part
- De Jong Duke recommends to have service parts available locally (SW) or as car stock (SE).

7010-B





<i>Drawing</i>	<i>Pos</i>	<i>S</i>	<i>Part Nr</i>	<i>Qty</i>	<i>Spare Part Description</i>
70101					Refer to drawing 70101: Canister Body
70102					Refer to drawing 70102: Canister Wheel and Spring
70103					Refer to drawing 70103: Canister Spring
7010-B	01	SE	5EMT007	1	Powder motor 120 rpm 24VDC
7010-B	02		4BSC036	2	Cutting screw 3.5x9.5



# Canister overview small & medium models

CANISTER OVERVIEW														
TYPE	ORD#NBR	INGREDIENT												
		BEANS	COFFEE	INSTANT COFFEE	DECAF COFFEE	INSTANT DECAF	SUGAR	SOUP	INSTANT TEA	TEA	TOPPING	CHOC	MILK	FRENCH VANILLA
	6DCN335 BEANS IN DOOR	+												
	9DCN088 * BEAN CANISTER	+												
*) 9DCN088 also available with lock: 9DCN090 or with extension: 9DCN089 or extension with lock: 9DCN091														
<b>58</b>														
	9DCN100111			+										
	9DCN100113						+							
	9DCN100114								+					
	9DCN120113		+		+			+			+	+		
	9DCN101111			+		+				+				
	9DCN101113						+							
	9DCN101114								+					
	9DCN121113		+		+			+			+	+	+	+
<b>88</b>														
	LEFT 9DCN320113		+										+	
	9DCN201111			+										
	9DCN220113		+											
	9DCN221113							+			+	+		
	LEFT 9DCN321113										+	+		
<b>118</b>														
	9DCN420113										+	+		
	9DCN401111			+										
	9DCN401113						+							
	9DCN421113		+		+						+	+		
	LEFT 9DCN520113		+								+	+		
	LEFT 9DCN521113		+								+	+		
<b>174</b>														
	9DCN620113		+								+	+		
	9DCN601111			+										
	9DCN621113		+											
	9DCN621123		+											

O:\Duke\Afdelingen\Aftersales\02- Knowledge Base\# AS&CS\_Documentation\\_Doc\_General\Canister Configurations\CANISTER\_CONFIGURATIONS\_OVERVIEW\_9DCNx\_9CKA\_V11.docx

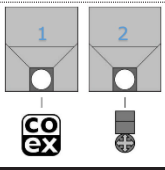
### 9CND INTERNAL CANISTERS

#	1	2	3	4	6	7	INGREDIENT	ORD# CAN.	ORD# OUTLET
---	---	---	---	---	---	---	------------	-----------	-------------

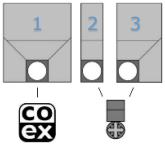
<b>6011</b>	100 - 20	1	174				COFFEE	9DCN620113	6DUL012
-------------	----------	---	-----	--	--	--	--------	------------	---------



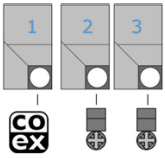
<b>6022</b>	110 - 25	1	174				COFFEE	9DCN620113	6DUL012
		2A					CHOC	9DCN620113	5KPD016+5KPD039
		2B	174				TOPPING	9DCN620113	5KPD016+5KPD039



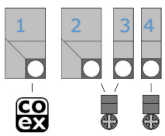
<b>6023</b>	120 - 245	1	174				COFFEE	9DCN620113	6DUL012
		2		58			TOPPING	9DCN120113	5KPD041+5KPD039
		3			118		CHOC	9DCN420113	5KPD042+5KPD039



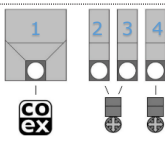
<b>6033</b>	111 - 246	1	118				COFFEE	9DCN520113	6DUL012
		2		118			CHOC	9DCN520113	5KPD016+5KPD039
		3			118		TOPPING	9DCN520113	5KPD016+5KPD039



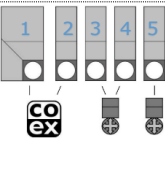
<b>6034</b>	121 - 2456	1	118				COFFEE	9DCN520113	6DUL012
		2		118			CHOC	9DCN520113	5KPD041+5KPD039
		3			58		TOPPING	9DCN120113	5KPD042+5KPD039
		4A					SUGAR	9DCN100113	5KPD016+5KPD039
		4B			58		I-COFFEE	9DCN100111	5KPD016+5KPD039
		4C					SOUP	9DCN120113	5KPD016+5KPD039



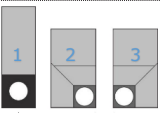

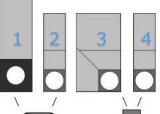

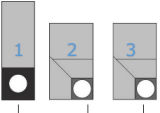

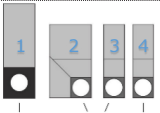

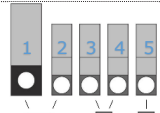

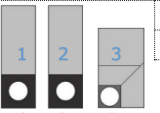

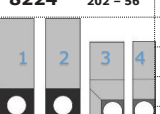

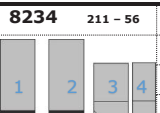

<b>6034</b>	121 - 2456	1	174				COFFEE	9DCN620113	6DUL012
		2		58			TOPPING	9DCN120113	5KPD041+5KPD039
		3			58		CHOC	9DCN120113	5KPD042+5KPD039
		4A					I-COFFEE	9DCN100111	5KPD016+5KPD039
		4B			58		SUGAR	9DCN100113	5KPD016+5KPD039
		4C					SOUP	9DCN120113	5KPD016+5KPD039



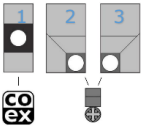
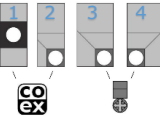
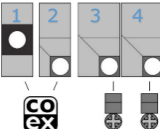
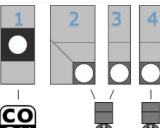
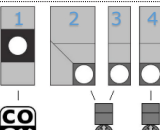
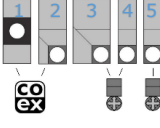
<b>6035</b>	221 - 23456	1	118				COFFEE	9DCN520113	6DUL012
		2		58			DECAF	9DCN120113	6DUL012
		3			58		TOPPING	9DCN120113	5KPD041+5KPD039
		4				58	CHOC	9DCN120113	5KPD042+5KPD039
		5A					SUGAR	9DCN100113	5KPD016+5KPD039
		5B				58	I-COFFEE	9DCN100111	5KPD016+5KPD039
		5C					SOUP	9DCN120113	5KPD016+5KPD039



9cnd-1-3

9CND		VISIBLE BEAN CANISTER					INGREDIENT	ORD# CAN.	ORD# OUTLET
#	1	2	3	4	6	7			
<b>8123</b> 120 - 45 	1	BC					BEANS	9DCN088*	6DUL011***
	2		118				TOPPING	9DCN520113	5KPD041+5KPD039
	3			118			CHOC	9DCN420113	5KPD042+5KPD039
									
<b>8124AL</b> 202 - 256 	1	BC					BEANS	9DCN088*	6DUL011***
	2		58				COFFEE	9DCN120113	6DUL012
	3			118			CHOC	9DCN520113	5KPD041+5KPD039
	4				58		TOPPING	9DCN120113	5KPD042+5KPD039
									
<b>8133</b> 111 - 246 	1	BC					BEANS	9DCN088*	6DUL011***
	2		118				CHOC	9DCN520113	5KPD016+5KPD039
	3			118			TOPPING	9DCN520113	5KPD016+5KPD039
									
<b>8134</b> 121 - 1456 	1	BC					BEANS	9DCN088*	6DUL011***
	2		118				CHOC	9DCN520113	5KPD041+5KPD039
	3			58			TOPPING	9DCN120113	5KPD042+5KPD039
	4A						I-COFFEE	9DCN100111	5KPD016+5KPD039
	4B				58		SUGAR	9DCN100113	5KPD016+5KPD039
	4C						SOUP	9DCN120113	5KPD016+5KPD039
									
<b>8135</b> 221 - 2456 	1	BC					BEANS	9DCN088*	6DUL011***
	2		58				COFFEE	9DCN120113	6DUL012
	3			58			CHOC	9DCN120113	5KPD041+5KPD039
	4				58		TOPPING	9DCN120113	5KPD042+5KPD039
	5					58	SUGAR	9DCN100113	5KPD016+5KPD039
									
<b>8223</b> 210 - 5 	1	BC					BEANS1	9DCN088*	6DUL011***
	2		BC				BEANS2	9DCN088*	5KPD017+5KPD039***
	3			118			CHOC	9DCN420113	5KPD016+5KPD039
									
<b>8224</b> 202 - 56 	1	BC					BEANS1	9DCN088*	6DUL011***
	2		BC				BEANS2	9DCN088*	5KPD017+5KPD039***
	3			58	**		CHOC	9DCN120113	5KPD041+5KPD039
	3			88	**		CHOC	9DCN320113	5KPD041+5KPD039
4				58		TOPPING	9DCN120113	5KPD042+5KPD039	
									
<b>8234</b> 211 - 56 	1	BC					BEANS1	9DCN088*	6DUL011***
	2		BC				BEANS2	9DCN088*	5KPD017+5KPD039***
	3			58	**		CHOC	9DCN120113	5KPD016+5KPD039
	3			88	**		CHOC	9DCN320113	5KPD016+5KPD039
4				58		TOPPING	9DCN120113	5KPD016+5KPD039	
									


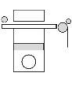

\*) 9DCN088 also available with lock: 9DCN090 or with extension: 9DCN089 or extension with lock: 9DCN091  
 \*\*) 82x4 models: s/n>2021.35.XXXX.001 with D-grinders -> 3rd canister 88mm instead of 58mm.  
 \*\*\*) When the D-grinder is installed use the 5KBN028 (outlet) and the 5KBN029 (cap)










<b>9CND BEANS IN DOOR</b>		#	1	2	3	4	6	7	INGREDIENT	ORD# CAN.	ORD# OUTLET
<b>8123</b> 120 - 45 	1	BD							BEANS	6DCN335	6DUL024***
	2		118						TOPPING	9DCN520113	5KPD041+5KPD039
	3			118					CHOC	9DCN420113	5KPD042+5KPD039
	4					118					
<b>8124A</b> 220 - 245 	1	BD							BEANS	6DCN335	6DUL024***
	2		88						COFFEE	9DCN320113	6DUL026
	3			118					CHOC	9DCN520113	5KPD041+5KPD039
	4					118			TOPPING	9DCN420113	5KPD042+5KPD039
<b>8134</b> 211 - 246 	1	BD							BEANS	6DCN335	6DUL024***
	2		88						COFFEE	9DCN320113	6DUL026
	3			118					CHOC	9DCN520113	5KPD016+5KPD039
	4					118			TOPPING	9DCN520113	5KPD016+5KPD039
<b>8134</b> 121 - 456 	1	BD							BEANS	6DCN335	6DUL024***
	2		118						TOPPING	9DCN520113	5KPD041+5KPD039
	3			58					CHOC	9DCN120113	5KPD042+5KPD039
	4A					58			SOUP	9DCN120113	5KPD016+5KPD039
	4B						58		I-COFFEE	9DCN100111	5KPD016+5KPD039
	4										
<b>8134</b> 121 - 456 	1	BD							BEANS	6DCN335	6DUL024***
	2		118						CHOC	9DCN520113	5KPD041+5KPD039
	3			58					TOPPING	9DCN120113	5KPD042+5KPD039
	4A					58			I-COFFEE	9DCN100111	5KPD016+5KPD039
	4B						58		SUGAR	9DCN100113	5KPD016+5KPD039
	4										
<b>8135</b> 221 - 2456 	1	BD							BEANS	6DCN335	6DUL024***
	2		88						COFFEE	9DCN320113	6DUL026
	3			118					CHOC	9DCN520113	5KPD041+5KPD039
	4					58			TOPPING	9DCN120113	5KPD042+5KPD039
	5A						58		SOUP	9DCN120113	5KPD016+5KPD039
	5B							58	SUGAR	9DCN100113	5KPD016+5KPD039
5C								I-COFFEE	9DCN100111	5KPD016+5KPD039	




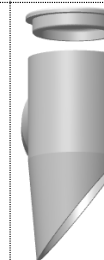





9cnd-3-3

\*\*\* When the D-grinder is installed use the 5KBN028 (outlet) and the 5KBN029 (cap)

LEGEND											
	#	1	2	3	4	6	7	8	INGR.	ORD# CAN.	ORD# OUTLET
CANISTERS CONFIGURATION	POSITION AND WIDTH OF CANISTER IN MACHINE								INGREDIENT FOR THIS CANISTER	ORDER NUMBER FOR THIS CANISTER	ORDER NUMBER FOR OUTLETS BASED ON POSITION OF CANISTER

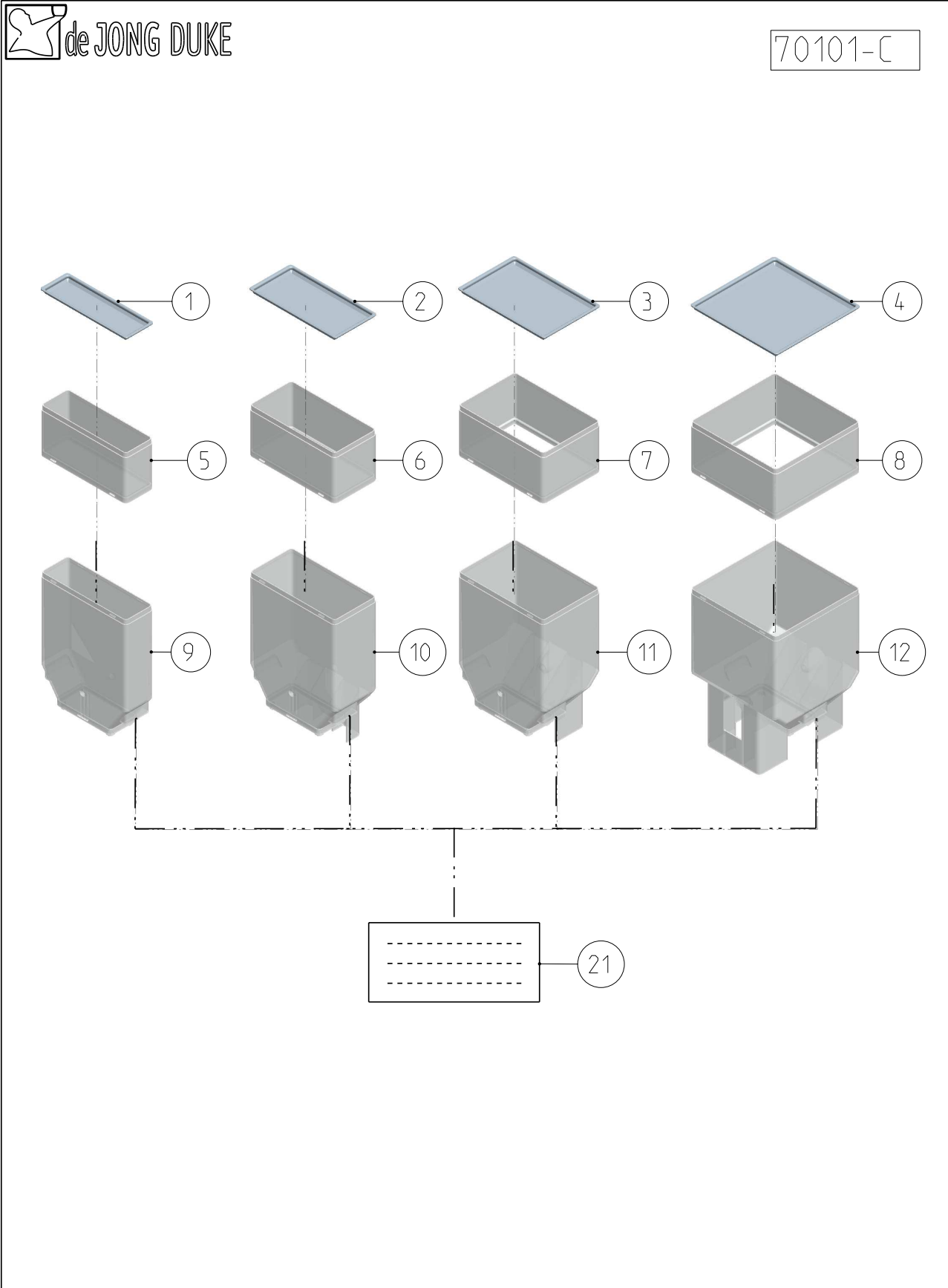
SYMBOLS		INGREDIENTS	
	BD = BEANS IN DOOR		COEX BREWER
	BC = BEAN CANISTER		COEX XL BREWER
			UNI-BREWER
			TEA BREWER
			MIXER
			BEANS = WHOLE BEANS
			COFFEE = GROUND COFFEE
			CHOC = CHOCOLATE
			TOP. = TOPPING
			DECAF = DECAFFEINATED COFFEE
			I-DECAF = INSTANT DECAFFEINATED COFFEE
			I-COFFEE = INSTANT COFFEE
			I-TEA = INSTANT TEA
			M-TOPPING = MILK TOPPING
			TEA = LEAF TEA

6DUL006 L=101	6DUL008 L=101	6DUL009 L=87	6DUL011 L=134	6DUL012 L=80	6DUL014 L=105	6DUL016 L=70	6DUL017 L=110	5KBN028 * L=128
								
								D-grinder only

6DUL020 L=122	6DUL023 L=137	6DUL024 L=123	6DUL026 L=74	5KPD016 * L=63	5KPD017 * L=143	5KPD041 * L=63	5KPD042 * L=63	5KPD005 * L=n/a
								

**\*) IMPORTANT:** Outlets 6DUL\* are delivered including the cap. But when ordering canister outlets 5KPD\* do not forget to order cap 5KPD039 and when ordering canister outlet 5KBN028 do not forget to order cap 5KBN029.

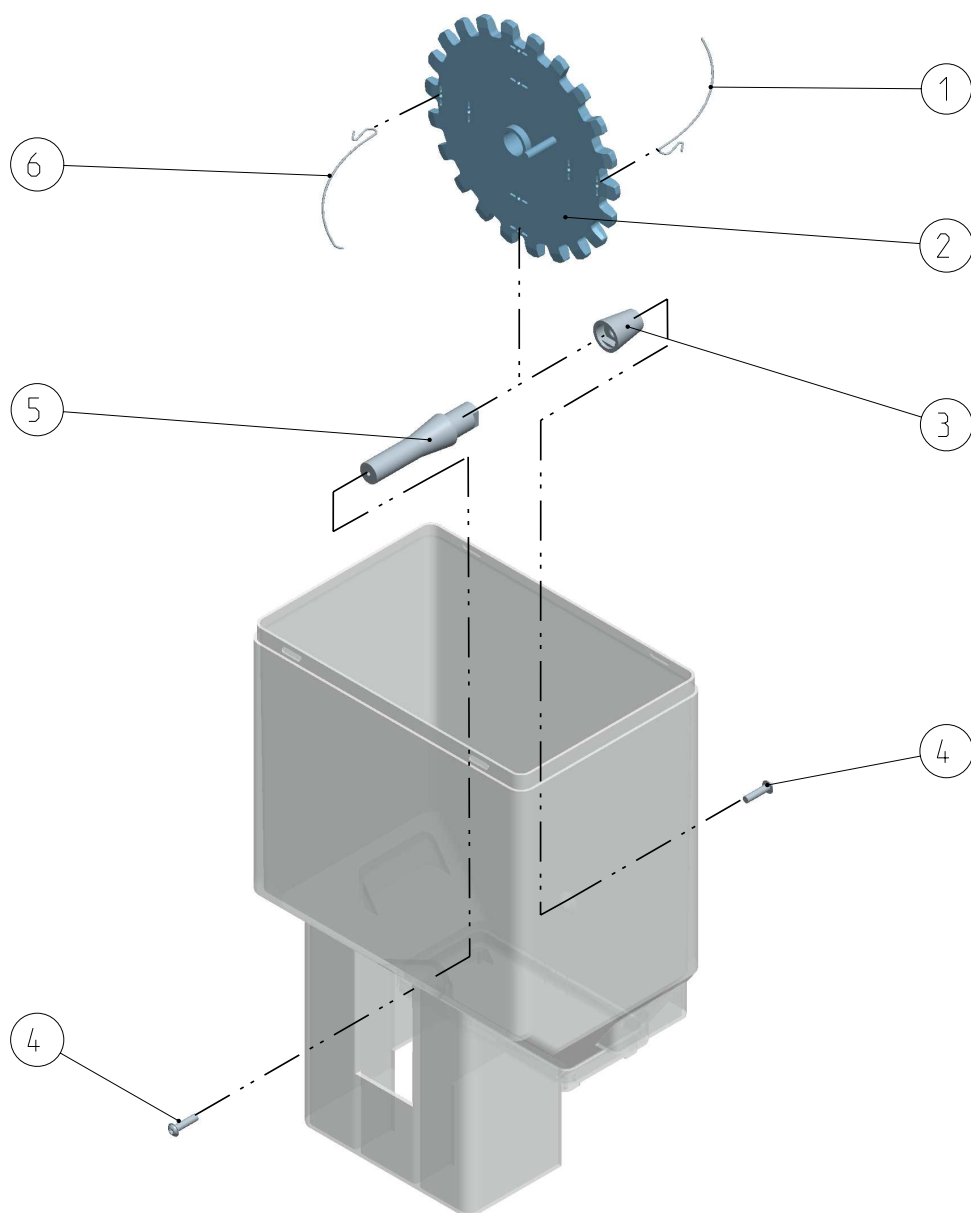
*PAGE INTENTIONALLY LEFT BLANK*





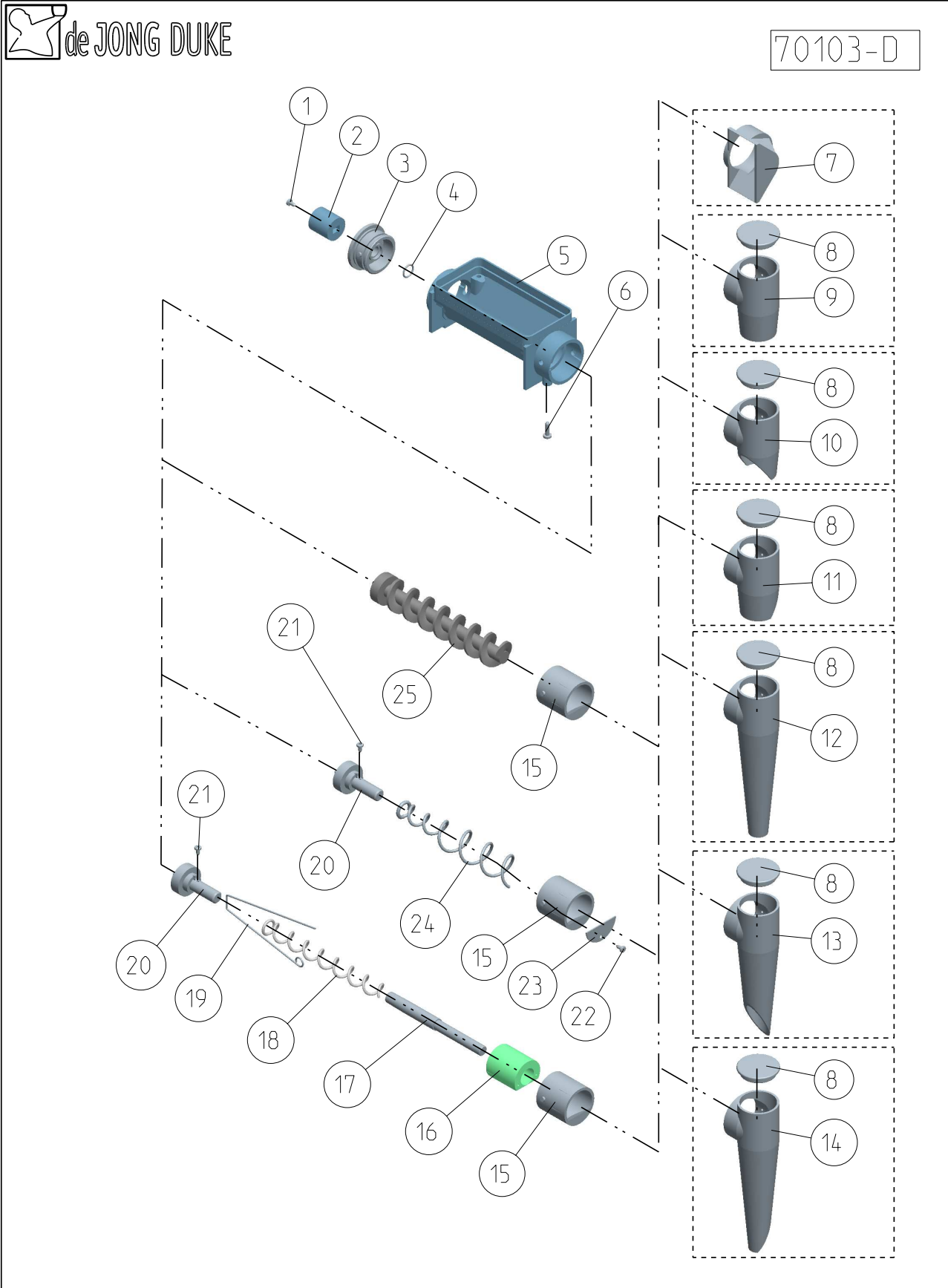
<b>Drawing</b>	<b>Pos</b>	<b>S</b>	<b>Part Nr</b>	<b>Qty</b>	<b>Spare Part Description</b>
70101-C	01		5KPD028		Lid B=58mm / 2 1/4"
70101-C	02		5KPD029		Lid B=88mm / 3 1/2"
70101-C	03		5KPD030		Lid B=118mm / 4 5/8"
70101-C	04		5KPD031		Lid B=174mm / 6 7/8"
70101-C	05		5KPD024		Extension piece B=58mm
70101-C	06		5KPD025		Extension piece B=88mm / 3 1/2"
70101-C	07		5KPD026		Extension piece B=118mm
70101-C	08		5KPD027		Extension piece B=174mm
70101-C	09		5KPD019		Canister body B=58mm / 2 1/4"
70101-C	10		5KPD020		Canister body B=88mm / 3 1/2"
70101-C	11		5KPD021		Canister body B=118mm / 4 5/8"
70101-C	12		5KPD022		Canister body B=174mm / 6 7/8"
70101-C	21		TP342		Sticker Coffee 1
70101-C	21		5TAG074		Sticker Coffee 2
70101-C	21		5TAG071		Sticker Instant Coffee
70101-C	21		TP344		Sticker Decaf
70101-C	21		TP347		Sticker Milk
70101-C	21		5TAG026		Sticker Topping
70101-C	21		TP349		Sticker Cappuccino
70101-C	21		TP348		Sticker Sugar
70101-C	21		5TAG072		Sticker French Vanille
70101-C	21		TP346		Sticker Tea
70101-C	21		TP343		Sticker Chocolate
70101-C	21		TP345		Sticker Soup 1
70101-C	21		5TAG075		Sticker Soup 2
70101-C	21	SW	5TAG068		All the stickers

- Part numbers marked with "SE" are Service parts Engineer stock
- Part numbers marked with "SW" are Service parts Warehouse stock
- Part numbers marked with "n/a" are Not Available as spare part
- De Jong Duke recommends to have service parts available on local (SW) or car stock.(SE)



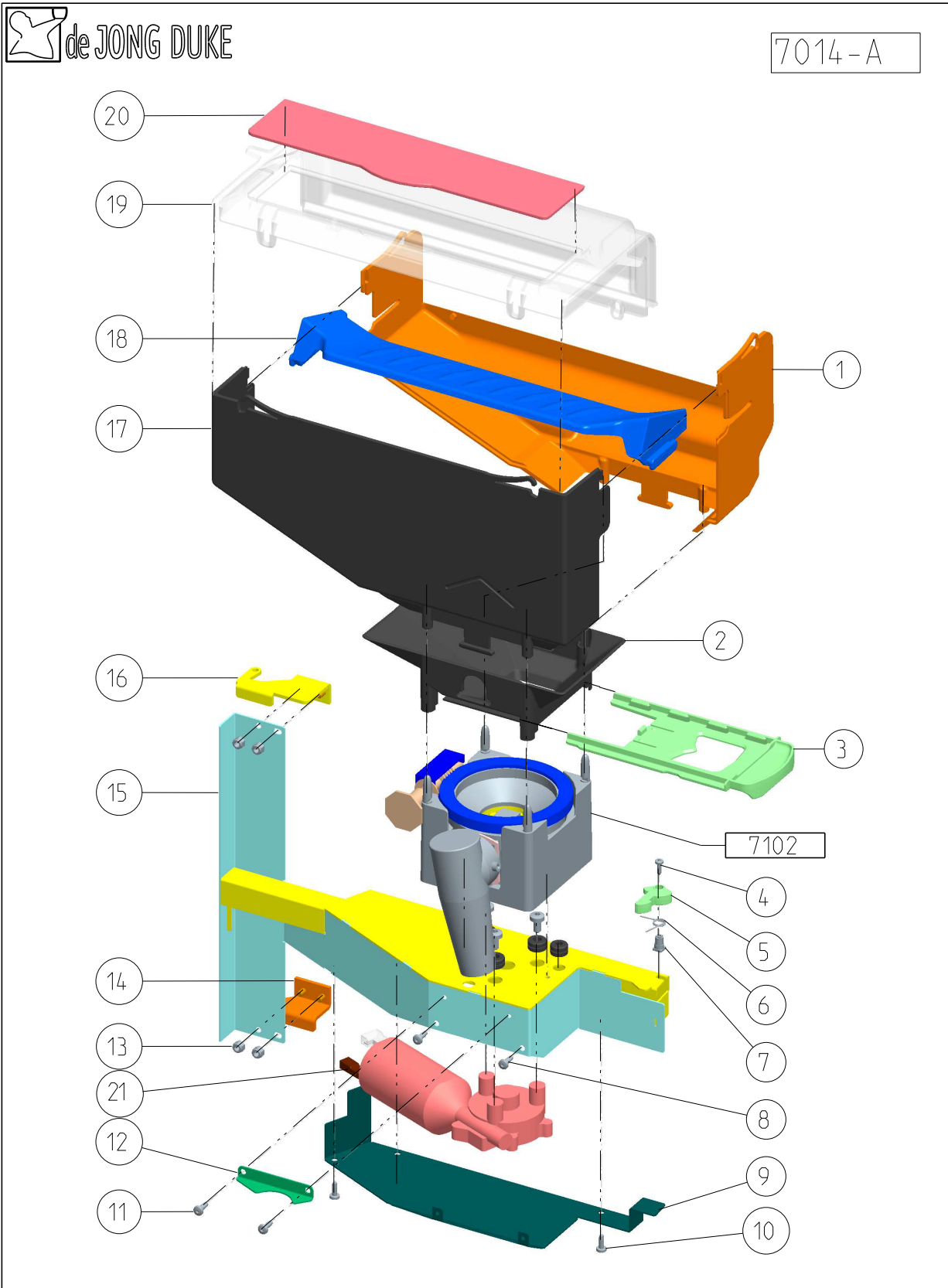
<b>Drawing</b>	<b>Pos</b>	<b>S</b>	<b>Part Nr</b>	<b>Qty</b>	<b>Spare Part Description</b>
70102-B		SW	9DCN085	1	Agitator set for canister 60,90,120 and 180mm with items 1, 2, 6 (4x 5MPD064 , 2x 5MPD065)
<b>Canister 60mm</b>					
70102-B	01		5MPD065	1	Spring container wheel short D=1 mm
70102-B	02		5KPD056	1	Agitator wheel
70102-B	03		5KPD048	1	Axis for auger wheel short
70102-B	04		4BSC013	2	Retaining screw 3.5x25
70102-B	05		5KPD049	1	Axis for auger wheel long
70102-B	06		5MPD065	1	Spring container wheel short D=1 mm
<b>Canister 90mm</b>					
70102-B	01		5MPD065	1	Spring container wheel short D=1 mm
70102-B	02		5KPD056	1	Agitator wheel
70102-B	03		5KPD048	1	Axis for auger wheel short
70102-B	04		4BSC013	2	Retaining screw 3.5x25
70102-B	05		5KPD050	1	Axis for auger wheel long
70102-B	06		5MPD064	2	Spring container wheel long D=1 mm
<b>Canister 120mm</b>					
70102-B	01		5MPD065	1	Spring container wheel short D=1 mm
70102-B	02		5KPD056	1	Agitator wheel
70102-B	03		5KPD048	1	Axis for auger wheel short
70102-B	04		4BSC013	2	Retaining screw 3.5x25
70102-B	05		5KPD050	1	Axis for auger wheel long
70102-B	06		5MPD064	2	Spring container wheel long D=1 mm
<b>Canister 180mm</b>					
70102-B	01		5MPD064	2	Spring container wheel long D=1 mm
70102-B	02		5KPD056	1	Agitator wheel
70102-B	03		5KPD047	1	Axis for auger wheel short
70102-B	04		4BSC013	1	Retaining screw 3.5x25
70102-B	04		4BSC031	1	Retaining screw 4x60
70102-B	05		5KPD050	1	Axis for auger wheel long
70102-B	06		5MPD064	2	Spring container wheel long D=1 mm

- Part numbers marked with "SE" are Service parts Engineer stock
- Part numbers marked with "SW" are Service parts Warehouse stock
- Part numbers marked with "n/a" are Not Available as spare part
- De Jong Duke recommends to have service parts available on local (SW) or car (SE) stock.

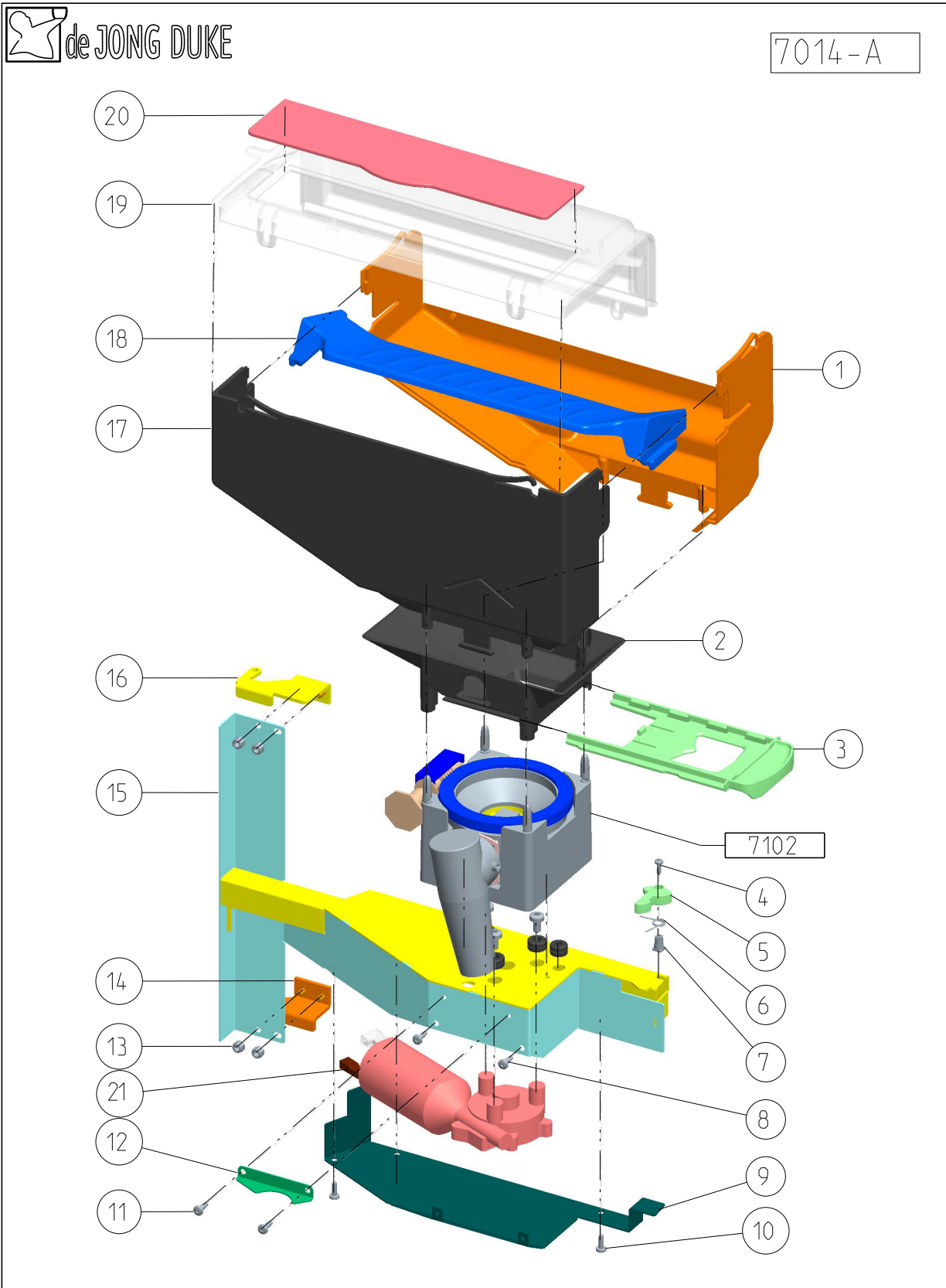


<b>Drawing</b>	<b>Pos</b>	<b>S</b>	<b>Part Nr</b>	<b>Qty</b>	<b>Spare Part Description</b>
70103-D	01		4BSC019		Screw 2.9x6.5
70103-D	02		5KPD009		Driver canister (female)
70103-D	03		5KLG002		Canister Bearing
70103-D	04		4ROR007		O-Ring 9.5x1.4
70103-D	05		5KPD055		Canister base
70103-D	06		<del>4BSC003</del>		Screw 9,5x13 <i>Not used anymore</i>
70103-D	07		5KPD005		Outlet canister nozzle side outlet
70103-D	08		5KPD039		Outlet canister nozzle cap
70103-D	09		5KPD016		Outlet canister nozzle short
70103-D	10		5KPD042		Outlet canister nozzle short right
70103-D	10		6DUL016		Outlet canister nozzle short right
70103-D	11		5KPD041		Outlet canister nozzle short left
70103-D	12		5KPD017		Outlet canister nozzle long
70103-D	12		6DUL011		Outlet grinder <i>9CND, 9CEC</i>
70103-D	12		6DUL026		Outlet canister <i>9CND</i>
70103-D	12		6DUL012		Outlet canister pipe <i>9CND-K2/ 9CEC-K1/2</i>
70103-D	12		6DUL020		Outlet grinder pipe left <i>9FND</i>
70103-D	12		6DUL024		Outlet grinder door virtu 80 127mm
70103-D	13		6DUL008		Dispensing nozzle long, mixer right <i>9FEC, 9IEA</i>
70103-D	14		6DUL009		Outlet canister for mixer left <i>9FND, 9CEC</i>
70103-D	14		6DUL006		Outlet canister (long) side outlet <i>left mixer 9FEC, tea 9CEC</i>
70103-D	15		5KPD044		Hopper outlet tube Short
70103-D	16		5KPD038		Insert for outlet
70103-D	17		<del>5MPD067</del>		Axis stainless steel for instant Tea <i>Not used anymore</i>
70103-D	18		5MPD086		Metal auger Short Ø12mm for instant Tea
70103-D	18		5MPD045		Metal auger Short Ø14.5mm for instant Coffee / Milk / Tea
70103-D	19		5MPD048		Metal spring auger Short for instant Milk
70103-D	20		5KPD036		Metal auger drive
70103-D	21		4BSC001		Sheet metal screw 2.9x6.5
70103-D	22		4BSC001		Sheet metal screw 2.9x6.5
70103-D	23		5MPD099		Shield plate for powder Topping / Choco
70103-D	24		5MPD100		Metal auger Ø23mm for powder Topping / Choco
70103-D	25		5KPD010		Auger Plastic Short Ø23mm for powder Topping / Choco / Sugar / Soup / Milk)

- Part numbers marked with "SE" are Service parts Engineer stock
- Part numbers marked with "SW" are Service parts Warehouse stock
- Part numbers marked with "n/a" are Not Available as spare part
- De Jong Duke recommends to have service parts available on local (SW) or car (SE) stock.



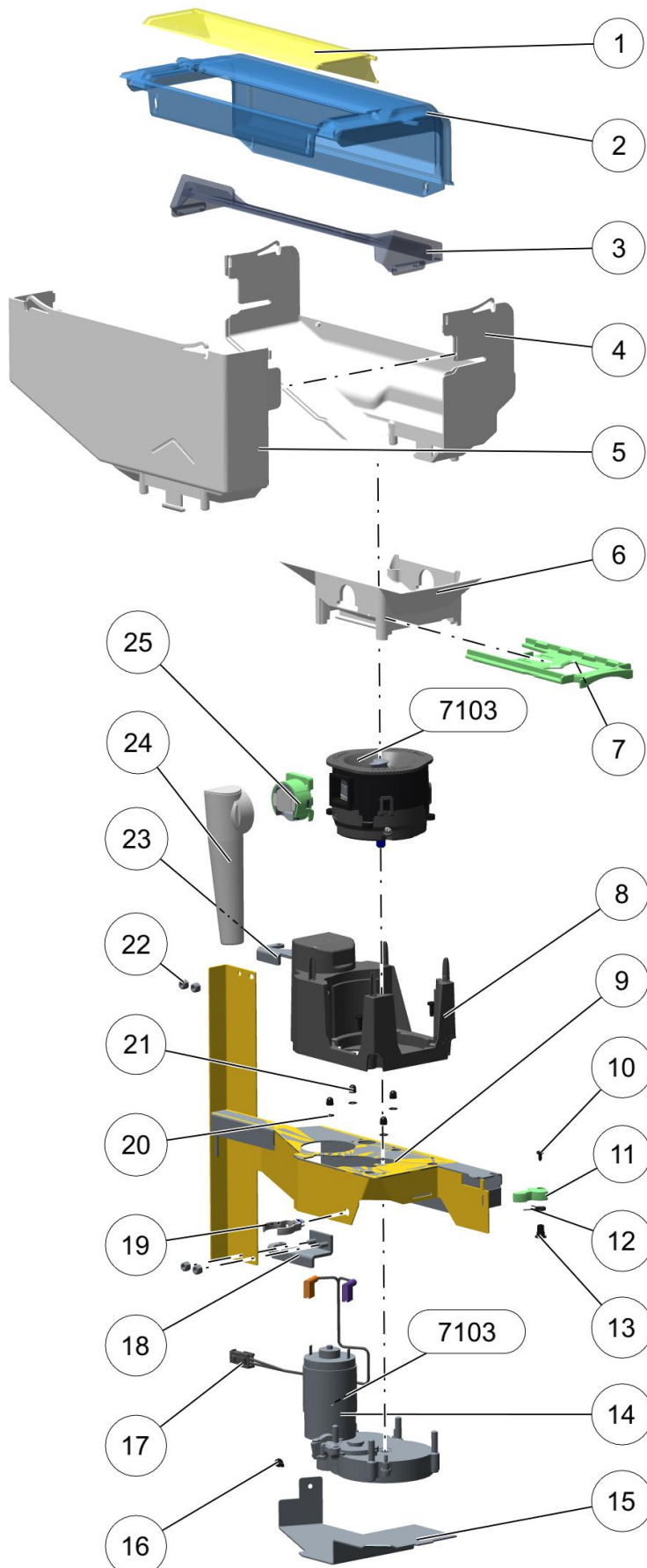
<b>Drawing</b>	<b>Pos</b>	<b>S</b>	<b>Part Nr</b>	<b>Qty</b>	<b>Spare Part Description</b>
7102					Refer to drawing 7102: S-Grinder
7014-A			6KGR004	1	Grinder Door assembly <i>with items 4 - 16 except 12</i>
7014-A			6DCN335		Bean Canister Door Small assembly <i>with items 1, 2, 3, 17, 18, 19, 20</i>
7014-A			9DCN099		Bean Canister Door Small top window set <i>with items 19 and 20</i>
7014-A	01		5KBN004	1	Bean canister door
7014-A	02		5KBN003	1	Bottom bean canister door back
7014-A	03		5KBN002	1	Canister locking slider
7014-A	04	SW	4BSC019	1	Sheet metal screw 2.9x6.5
7014-A	05	SW	5KHS001	1	Lock in door for bean canister
7014-A	06	SW	5MVR032	1	Spring for lock
7014-A	07	SW	5KHS002	1	Pin
7014-A	08		4BSC022	2	Cutting screw 3.5x9.5
7014-A	09		5MPD110- RAL9005	1	Bottom plate grinder
7014-A	10		4BSC022	2	Cutting screw 3.5x9.5
7014-A	11		4BSC022	2	Cutting screw 3.5x9.5
7014-A	12		5MPD114	1	Guide for nozzle grinder in 9CND cabinet
7014-A	12		5MPD118	1	Guide for nozzle grinder in new 9CND 2015 cabinet
7014-A	12		5MPD113	1	Guide for nozzle grinder in 9FND cabinet
7014-A	13		4BMZ011	4	Nut Lock M4
7014-A	14		5MHS041- KTL	1	Hinge under
7014-A	15		6HBH032- RAL9005	1	Grinder holder in door
7014-A	16		5MHS017- KTL	1	Hinge top
7014-A	17		5KBN008	1	Bean canister door front
7014-A	18		5KBN007	1	Guide plate beans
7014-A	19		5KBN032	1	Bean canister door top window for Virtu/Va- rea/V'eco/Zia <i>Note: use in combination with / will only fit: canister lid 5KBN026</i>
7014-A	20	SW	5KBN026	1	Bean canister door top lid <i>Note: use only in combination with 5KBN032</i>
7014-A	21		6CKB434	1	Wire harness grinder door





<i>Drawing</i>	<i>Pos</i>	<i>S</i>	<i>Part Nr</i>	<i>Qty</i>	<i>Spare Part Description</i>
<b>HISTORY</b>					
7014-A	19		5KBN005	1	Bean canister door top (Virtu/Varea/Zia) <i>replaced by 5KBN032 from 2019.48.6860.001</i>
7014-A	20		5KBN006	1	Bean canister lid <i>replaced by 5KBN026 from 2019.48.6860.001</i>

- Part numbers marked with "SE" are Service parts Engineer stock
- Part numbers marked with "SW" are Service parts Warehouse stock
- Part numbers marked with "n/a" are Not Available as spare part
- De Jong Duke recommends to have service parts available locally (SW) or as car stock (SE).

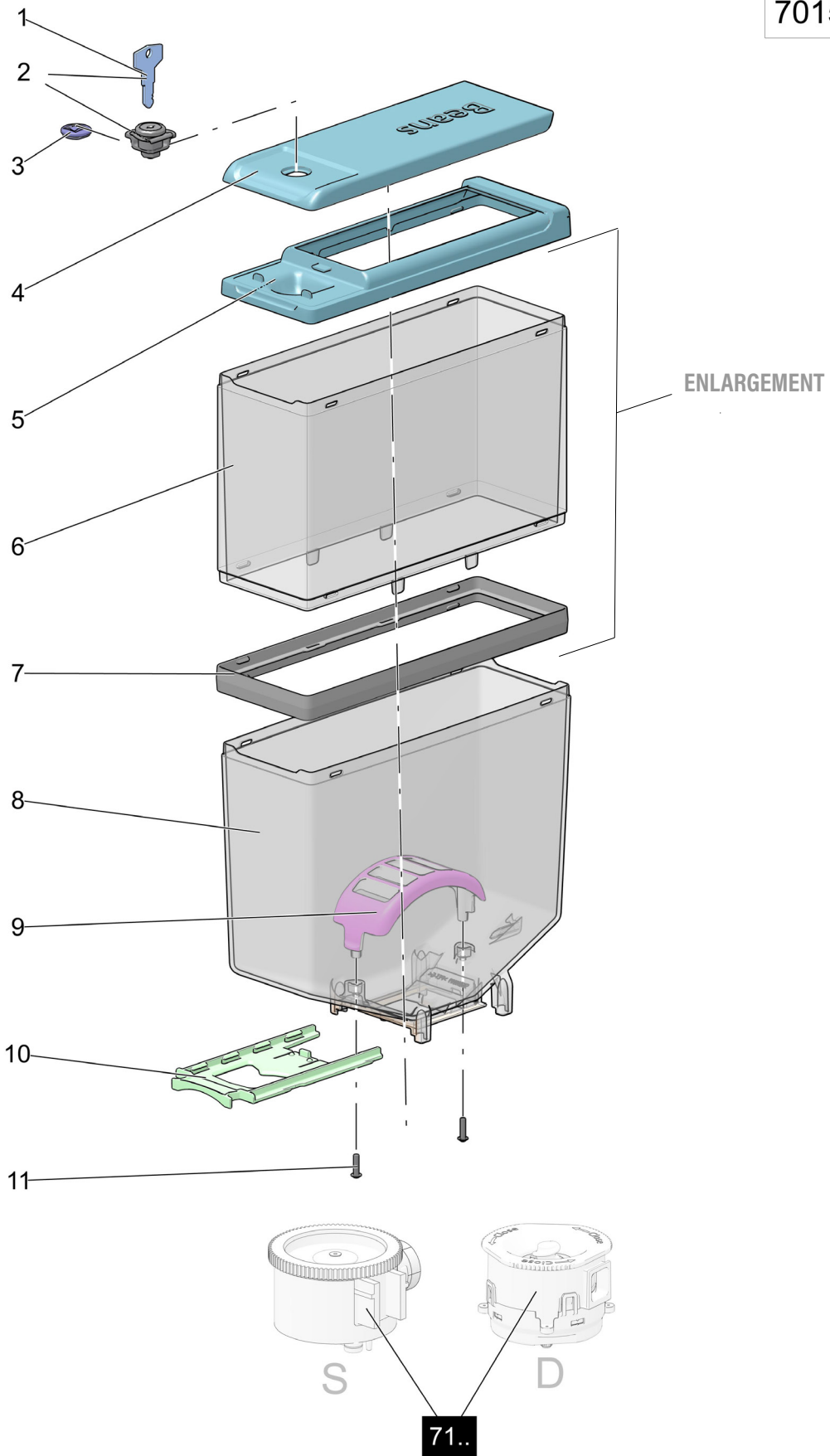


7014-B1

<b>Drawing</b>	<b>Pos</b>	<b>S</b>	<b>Part Nr</b>	<b>Qty</b>	<b>Spare Part Description</b>
7103					Refer to drawing 7103: D-Grinder
7014-B1			TBD		Grinder Door assembly D-Grinder <i>with items ....</i>
7014-B1		SW	6DCN335		Bean Canister Door Small assembly <i>with items 1 - 7</i>
7014-B1		SW	9DCN099		Bean Canister Door Small top window set <i>with items 1 and 2</i>
7014-B1	01		5KBN026	1	Bean canister door top lid <i>Note: use only in combination with 5KBN032</i>
7014-B1	02		5KBN032	1	Bean canister door top window <i>Note: use only in combination with 5KBN026</i>
7014-B1	03		5KBN007	1	Guide plate beans
7014-B1	04		5KBN004	1	Bean canister door back
7014-B1	05		5KBN008	1	Bean canister door front
7014-B1	06		5KBN003	1	Bottom bean canister door back
7014-B1	07		5KBN002	1	Canister locking slider
7014-B1	08		n/a		see drawing 7103
7014-B1	09		6HKA088-RAL9005	1	Grinder bracket
7014-B1	10		4BSC019	1	Sheet metal screw 2.9x6.5
7014-B1	11	SW	5KHS001	1	Lock for in door bean canister
7014-B1	12	SW	5MVR032	1	Spring for lock
7014-B1	13	SW	5KHS002	1	Pin
7014-B1	14		n/a		see drawing 7103
7014-B1	15		5MBN005	1	Bracket bottom front grinder
7014-B1	16		4BSC022	1	Cutting screw 3.5x9.5
7014-B1	17		6CKB534	1	Cable grinder in door
7014-B1	18		5MHS041-KTL	1	Hinge bottom
7014-B1	19		5KBN033	1	Outlet clip
7014-B1	20		4BPR004	3	Washer M3
7014-B1	21		4BMZ051	3	Acorn nut M3
7014-B1	22		4BMZ011	3	Nut Lock M4
	23		5MHS017-KTL	1	Hinge top
7014-B1	24		5KBN028	1	Outlet

- Part numbers marked with "SE" are Service parts Engineer stock
- Part numbers marked with "SW" are Service parts Warehouse stock
- Part numbers marked with "n/a" are Not Available as spare part
- De Jong Duke recommends to have service parts available locally (SW) or as car stock (SE).

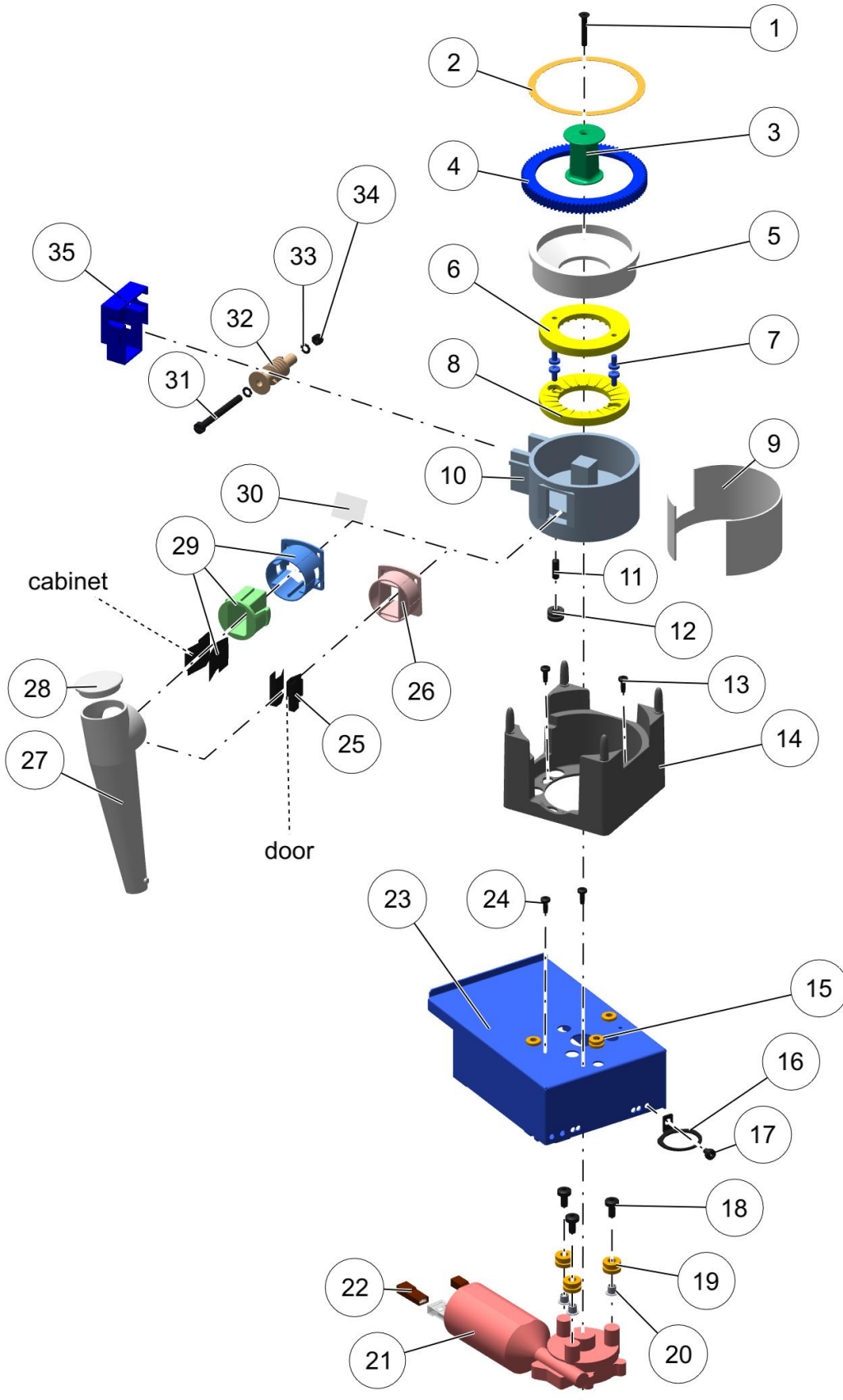
7015-B



<i>Drawing</i>	<i>Pos</i>	<i>S</i>	<i>Part Nr</i>	<i>Qty</i>	<i>Spare Part Description</i>
					<b>REFERENCES</b>
71..					Refer to drawing : - 7102 S-Grinder - 7103 D-Grinder
					<b>SETS</b>
7015-B		SW	9DCN088	1	Complete canister <i>with items 3, 4, 5, 8, 9, 10, 11</i>
7015-B		SW	9DCN090	1	Complete canister with lock <i>with items 1, 2, 4, 5, 8, 9, 10, 11</i>
7015-B		SW	9DCN089	1	Complete canister with enlargement <i>with items 3, 4, 5, 6, 7, 8, 9, 10, 11</i>
7015-B		SW	9DCN091	1	Complete canister with enlargement and lock <i>with items 1, 2, 4, 5, 6, 7, 8, 9, 10, 11</i>
			9DCN092	1	Enlargement + fitting <i>with items 6 and 7</i>
					<b>PARTS</b>
7015-B	01	SW	4MHS031		Key for lock 4MHS030
7015-B	02	SW	4MHS030	1	Lock with key
7015-B	03		5RDK004	1	Stop for lid
7015-B	04		5KBN011	1	Lid
7015-B	05		5KBN010	1	Lid base
7015-B	06		5KBN013	1	Enlargement
7015-B	07		5KBN012	1	Enlargement fitting
7015-B	08		5KBN009	1	Canister base
7015-B	10		5KBN002	1	Canister locking slider
7015-B	09		5KBN034	1	Grinder shielding <i>Note: part will only fit in canisters in machines, produced from s/n:2020.42.5969.001</i>
7015-B	11		4BSC036	2	Screw torx 3.5x13.5
					<b>HISTORY</b>
7015-B	08		5KBN009	1	Canister base <i>Replaced by 5KBN009 Canister base with grinder shielding from s/n: 2020.42.5969.001</i>

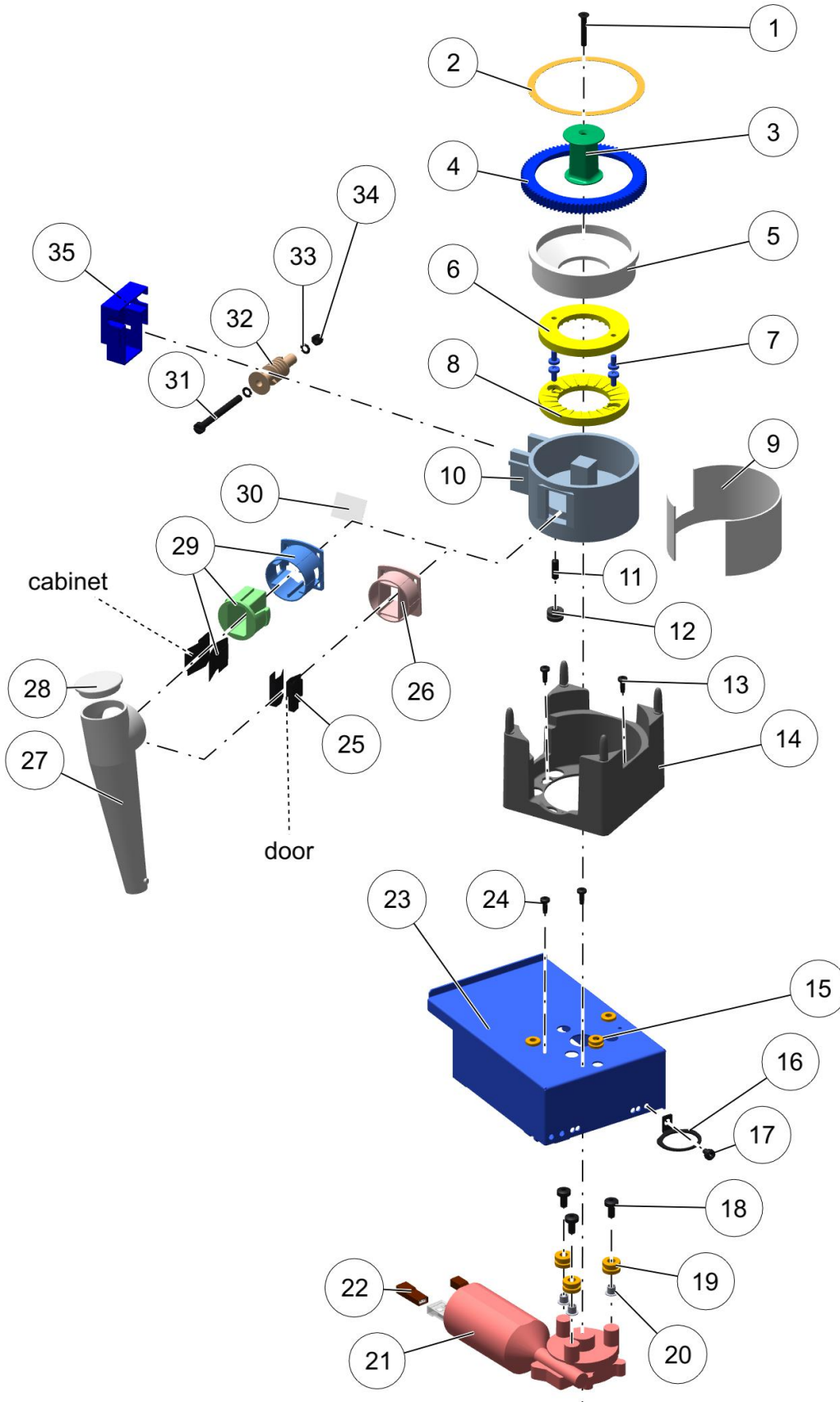
- Part numbers marked with "SE" are Service parts Engineer stock
- Part numbers marked with "SW" are Service parts Warehouse stock
- Part numbers marked with "n/a" are Not Available as spare part
- De Jong Duke recommends to have service parts available on local (SW) or car stock (SE).

7102-F1



<b>Drawing</b>	<b>Pos</b>	<b>S</b>	<b>Part Nr</b>	<b>Qty</b>	<b>Spare Part Description</b>
					<b>SETS</b>
7102-F1		SW	9GES111		Grinder Assembly complete with motor and grinder discs <i>with items 4-8, 10,11, 18-21 and 31-35</i>
7102-F1		SW	9GES113		Grinder Assembly complete (9GES111) but without motor (21) <i>with items 4-8, 10,11 and 31-35</i>
7102-F1		SW	5MBK094		Set of 2 grinder discs and 6 screws <i>with items 6, 7, 8</i>
					<b>PARTS</b>
7102-F1	01		4BBV050	1	Screw M4x20 RVS
7102-F1	02		5TAD036	1	Sticker grinding degree (S)
7102-F1	03		5KBN018	1	Grinder finger guard
7102-F1	04	SW	5MBK071	1	Grinder adjustment parts <i>with items 4, 32 and 35</i>
7102-F1	05		n/a		<i>order assembly for your model, see above</i>
7102-F1	06		n/a		Upper grinding disc fixed <i>Upper disc is 38mm inner diameter, not available separately, order 5MKB094, see above.</i>
7102-F1	07		n/a		<i>order 5MKB094, see above</i>
7102-F1	08		n/a		Lower grinding disc rotating <i>Lower disc is 35mm inner diameter, not available separately, order 5MKB094, see above.</i>
7102-F1	09		5RVA024	1	Soundproofing grinder
7102-F1	10		n/a		<i>order set for your model, see above</i>
7102-F1	11		4BBY016	1	Set screw M5x16
7102-F1	12		4RDT013	3	Cable grommet 11x6 (CND / CEC)
7102-F1	13		4BSC022	2	Cutting screw 3.5x9.5
7102-F1	14		5KBN001	1	Grinder base part plastic
7102-F1	15		4RDT013	1	Cable grommet 11x6
7102-F1	16		5MPD115	1	Guide outlet pipe (for 9FND/9FEC/9CEC)
7102-F1	16		5MPD116	1	Guide outlet pipe (for 9CND <2015)
7102-F1	16		5MPD118	1	Guide outlet pipe (for 9CND >2015)
7102-F1	17		4BBK039	1	M4x6 Bolt BCK Tx
7102-F1	18		4BBK035	3	Bolt M5x14
7102-F1	19		4RDT012	3	Cable grommet 6x13 white hole (CND / CEC)
7102-F1	20		4BAF033	3	Hollow rivet
7102-F1	21	SW	5MBK072	1	Grinder motor <i>or order Grinder Assembly, see SETS above</i>
7102-F1	22	SW	6CKB448	1	Wire harness
7102-F1	23		5MPD111 -RAL	1	Grinder box
7102-F1	24		4BSC022	4	Cutting screw 3.5x9.5

7102-F1

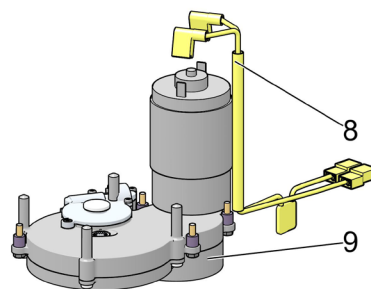
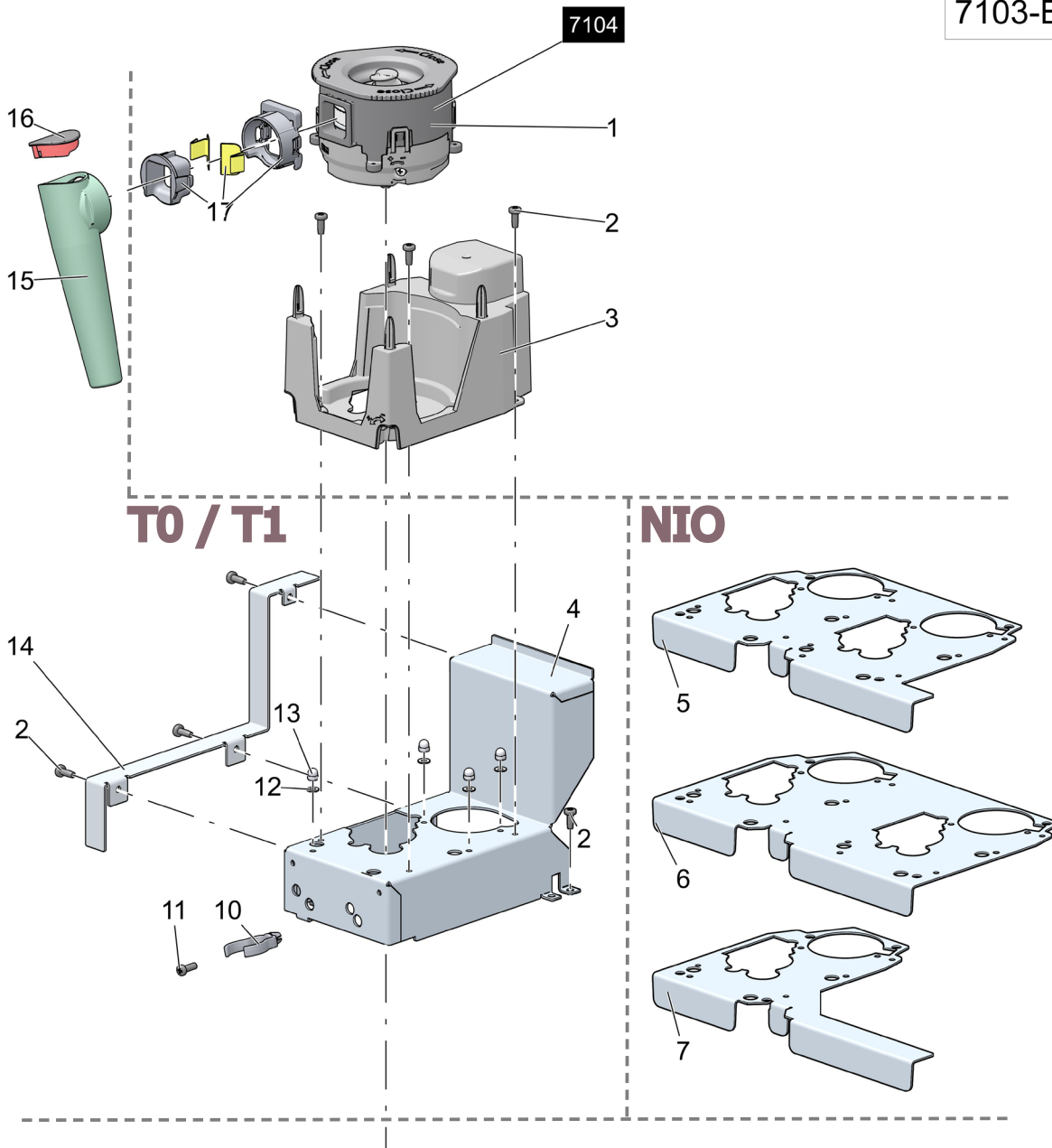




<b>Drawing</b>	<b>Pos</b>	<b>S</b>	<b>Part Nr</b>	<b>Qty</b>	<b>Spare Part Description</b>
7102-F1	25	SW	5MVR047	2	Spring clip outlet pipe 14mm <i>for grinder door</i>
7102-F1	26	SW	5KPD096	1	Outlet pipe 14 mm <i>for grinder door</i>
7102-F1	27		6DUL* 5KPD*	1	Grinder outlet <i>Check <b>Canister overview</b> (drawing 7010) for outlet part number</i>
7102-F1	28		5KPD039	1	Doser cap
7102-F1	29	SW	9DCN093	1	Grinder outlet assembly <i>complete with pipe inner and outer part + 2 spring clips Used for cabinet grinders all models</i>
7102-F1	30		5TAG210	1	Sticker grinder mark - Coffee 1
7102-F1	30		5TAG211	1	Sticker grinder mark - Coffee 2
7102-F1	31	SW	4BBK042	1	Bolt M4x50
7102-F1	32	SW	5MBK071		Grinder adjustment parts <i>with items 4, 32 and 35</i>
7102-F1	33		4BVR002	1	Star washer M4
7102-F1	34		4BMZ011	1	Nut Lock M4
7102-F1	35	SW	5MBK071	1	Grinder adjustment parts <i>with items 4, 32 and 35</i>
<b>HISTORY</b>					
7102-F1	25	SW	<del>5MVR038</del>	2	Spring clip grinder outlet pipe 14 mm. <i>Replaced by 5MVR0047 from S/N 2018.05.xxx.001</i>
7102-F1	25	SW	5MVR037	2	Spring clip grinder outlet pipe 22.5mm <i>(baseplate) Replaced in production by 9DCN093 (pos 18) from S/N 2018.16.xxx.001</i>
7102-F1	26	SW	5KPD059	1	Grinder (baseplate) outlet pipe 22.5 mm <i>Replaced in production by 9DCN093 (pos 18) from S/N 2018.16.xxx.001</i>
7102-F1	01		<del>4BBV048</del>	1	Screw M4x20 <i>Replaced by 4BBV050</i>

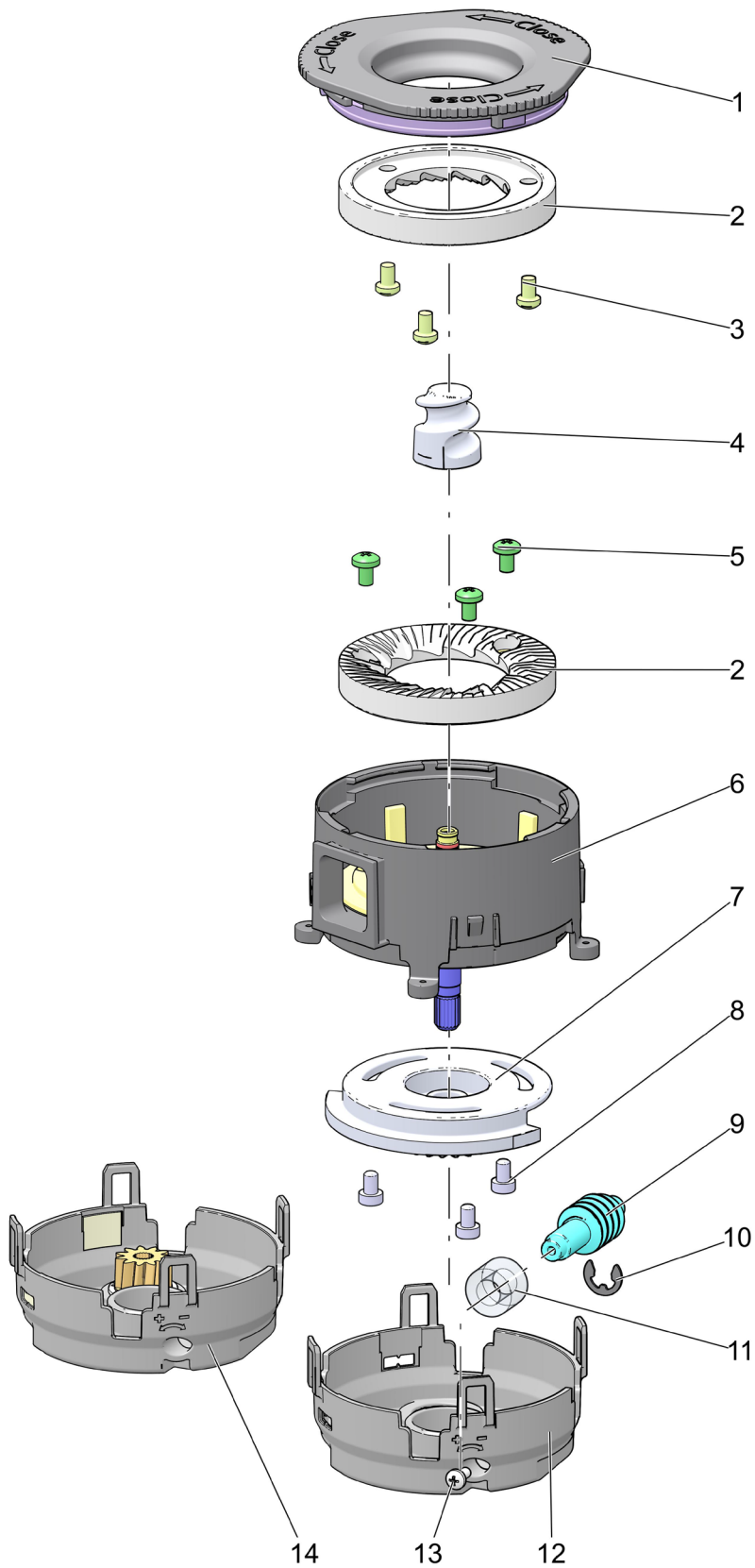
- Part numbers marked with "SE" are Service parts Engineer stock
- Part numbers marked with "SW" are Service parts Warehouse stock
- Part numbers marked with "n/a" are Not Available as spare part
- De Jong Duke recommends to have service parts available locally (SW) or as car stock (SE).

7103-B



<b>Drawing</b>	<b>Pos</b>	<b>S</b>	<b>Part Nr</b>	<b>Qty</b>	<b>Spare Part Description</b>
					<b>REFERENCES</b>
7104					Refer to drawing: 7104 D-grinder
					<b>SETS</b>
7103-B		SW	9GES120		Set of 2 D-Grinder discs <i>no screws included</i>
7103-B			6KGR007		D-Grinder with motor - manual adjustment <i>with item 01 and 09</i>
7103-B			9GES121		D-Grinder complete with motor and frame - manual adjustment <i>with items 01 - 04, 08 - 17 except item 14</i>
					<b>PARTS</b>
7103-B	01		9GES038	1	D-Grinder only - manual adjustment <i>with item 14</i>
7103-B	02		4BSC022	7	Screw 3,5x9,5
7103-B	03		5KBN027	1	D-Grinder base
7103-B	04		5MBN006	1	D-Grinder frame <i>(T0 and T1 models only)</i>
7103-B	05		5MBN013	1	D-Grinder mounting bracket Nio double bean canister
7103-B	06		5MBN012	1	D-Grinder mounting bracket Nio 2 bean canister
7103-B	07		5MBN011	1	D-Grinder mounting bracket Nio 1 bean canister
7103-B	08		6CKB533	1	D-Grinder cable
7103-B	09		n/a	1	D-Grinder motor and gear box <i>only available as set, see above</i>
7103-B	10		5KBN041	1	Outlet guide <i>(T0 and T1 models only)</i>
7103-B	11		4BSC055	1	Screw 3.5x10 (stainless steel)
7103-B	12		4BPR004	3	Washer M3 <i>only used in production with item 13 - 4BMZ051</i>
7103-B	13		4BMZ051	3	Acorn nut M3
7103-B	13		5BMZ002	3	Acorn nut M3 - long tread
7103-B	14		5MBN007	1	D-Grinder filler plate
7103-B	15		5KBN028	1	Outlet
7103-B	16		5KBN029	1	Outlet cap
7103-B	17		9DCN097	1	D-Grinder outlet adapter set complete

7104-B

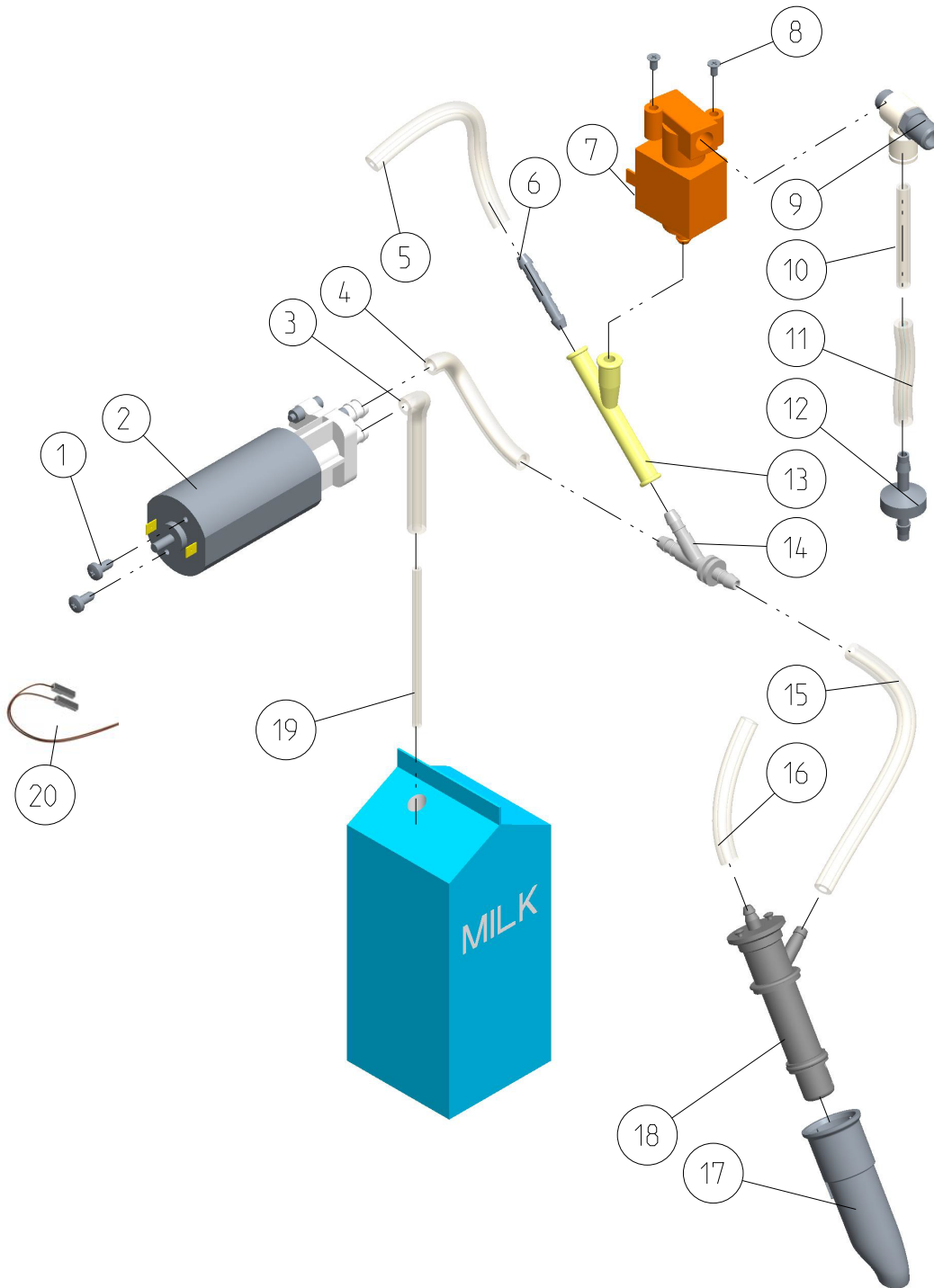


<i>Drawing</i>	<i>Pos</i>	<i>S</i>	<i>Part Nr</i>	<i>Qty</i>	<i>Spare Part Description</i>
					<b>SETS</b>
7104-B		SW	6KGR007		D-Grinder with motor, no frame, manual adjustment version <i>(see drawing 7103)</i>
7104-B		SW	9GES038		D-Grinder only - manual adjustment version <i>with items 1-12</i>
7104-B		SW	9GES120		Set of 2 grinder discs <i>no screws included</i>
					<b>PARTS</b>
7104-B	01		n/a	1	Grinder Bayonet cover
7104-B	02		n/a	2	D-grinder disc - see set above
7104-B	03		n/a	3	Screws upper disc
7104-B	04		n/a	1	Auger
7104-B	05		n/a	3	Screws lower disc
7104-B	06		n/a	1	Grinder house
7104-B	07		n/a	1	Grinder adjustment wheel
7104-B	08		n/a	3	Screws adjustment wheel
7104-B	09		n/a	1	Adjustment wheel worm
7104-B	10		n/a	1	Circlip ring
7104-B	11		6XSL001	1	Adjustment wheel worm sleeve <i>(4XSL054 L=11mm)</i>
7104-B	12		n/a	1	Grinder Adjustment cover - manual version
7104-B	13		n/a	1	Grinding degree adjustment screw
7104-B	14		n/a	1	Grinder Adjustment cover - electric version
<b>HISTORY</b>					

- Part numbers marked with "SE" are Service parts Engineer stock
- Part numbers marked with "SW" are Service parts Warehouse stock
- Part numbers marked with "n/a" are Not Available as spare part
- De Jong Duke recommends to have service parts available locally (SW) or as car stock (SE).

 de JONG DUKE

7302-B

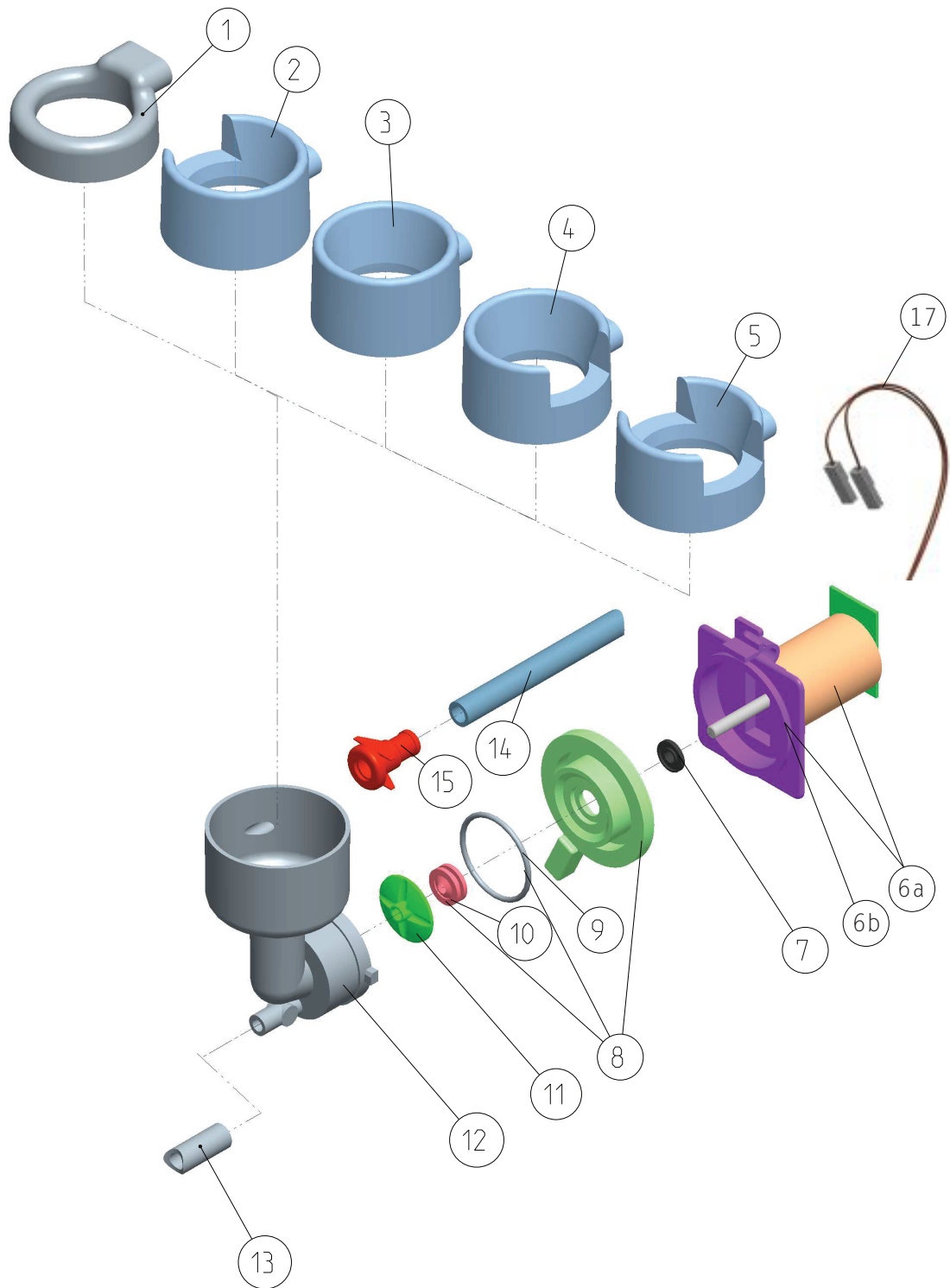


<b>Drawing</b>	<b>Pos</b>	<b>S</b>	<b>Part Nr</b>	<b>Qty</b>	<b>Spare Part Description</b>
7302-B	01		4BSC005	2	Screw 3,5 x 9,5 SS
7302-B	02	SW	4EMT035	1	Milk pump
7302-B	03	SW	4XSL046	1	Silicone tube transparent 4x8 (L= 120 cm)
7302-B	04		4XSL046	1	Silicone tube transparent 4x8 (L= 8 cm)
7302-B	05		4XSL046	1	Silicone tube transparent 4x8 (L= 44 cm)
7302-B	06		4KVL019	1	Tube connection 4mm => 4mm
7302-B	07	SW	4EMV049	1	3-way valve FM system
7302-B	08		4BBV044	2	Bolt M3x6
7302-B	09	SE	4MVL014	1	Air Regulator R1/8 - tube 6
7302-B	10		4XSL035	1	Pressure tube 6mm (L= 3 cm)
7302-B	11		4XSL046	1	Silicone tube transparent 4x8 (L= 3 cm)
7302-B	12	SE	4KVL028	1	Backflow protection
7302-B	13	SE	5RSL010	1	Air & water connection
7302-B	14	SE	5KVL067	1	Milk en air connection
7302-B	15		4XSL046	1	Silicone tube transparent 4x8
7302-B	16		4XSL046	1	Silicone tube transparent 4x8
7302-B	17		5KVL066	1	Milkfrother outletpipe (CND)
7302-B	18	SE	4KVL017	1	Milkfrother (CND)
7302-B	19		4XSL035	1	Pressure tube 6mm (L= 29 cm)
7302-B	20		6CKB460	1	Wire harness Fresh Milk CND
<b>HISTORY</b>					
7302-B	09		<del>4MVL008</del>	1	Air Regulator G1/8 - G1/8 <i>Replaced by 4MVL014 from 2015.46.xxxx.001</i>

- Part numbers marked with "SE" are Service parts Engineer stock
- Part numbers marked with "SW" are Service parts Warehouse stock
- Part numbers marked with "n/a" are Not Available as spare part
- De Jong Duke recommends to have service parts available on local (SW) or car (SE) stock.

 de JONG DUKE

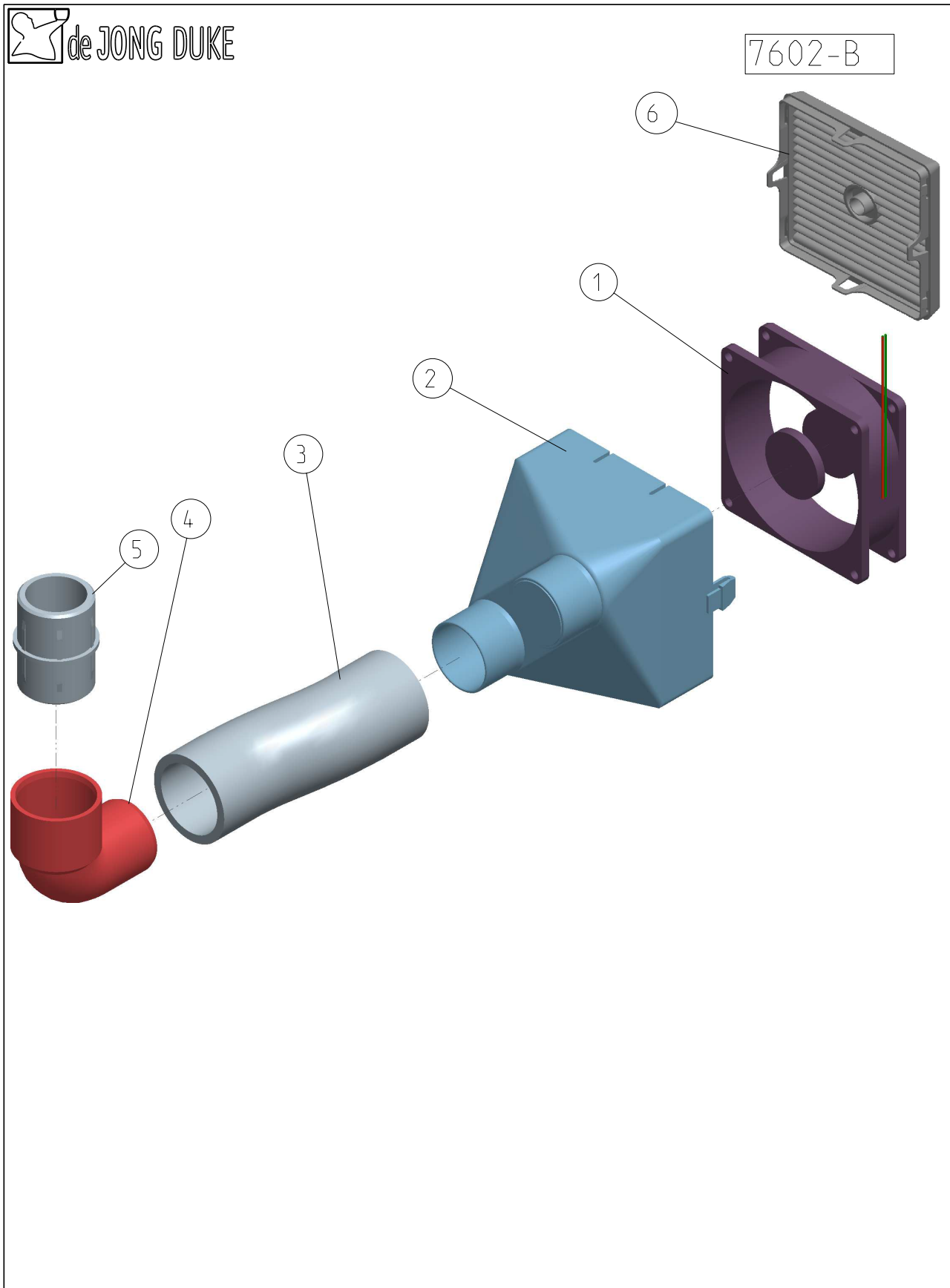
7503-D





<b>Drawing</b>	<b>Pos</b>	<b>S</b>	<b>Part Nr</b>	<b>Qty</b>	<b>Spare Part Description</b>
7503-D	01	SW	4KMX028	1	Mixer suction trap - steam ring (low model)
7503-D	02	SW	4KMX017	1	Mixer suction trap - vapour (left-side open)
7503-D	03	SW	4KMX015	4	Mixer suction trap - steam
7503-D	04	SW	4KMX016	1	Mixer suction trap - vapour (right-side open)
7503-D	05	SW	4KMX018	1	Mixer suction trap - vapour (left+right side open)
7503-D	6a	SE	4EMT024	4	Mixer motor 24v dc <i>including base plate 4KMX030 (pos 06b)</i>
7503-D	6b	SE	4KMX030	4	Base plate for Mixer motor
7503-D	07	SW	4KMX006	4	Water blocking ring
7503-D	08	SW	4KMX026	4	Mixer bayonet catch
7503-D	09	SE	4ROR016	4	O-ring mixer plate
7503-D	10	SE	4RVA002	4	Seal whipper base plate
7503-D	11		4KMX019	4	Mixer propeller (old version)
7503-D	11	SW	4KMX027	4	Mixer propeller (integral)
7503-D	12	SW	4KMX025	4	Mixer house grey
7503-D	12	SW	4KMX031	2	Mixer house black (for mixer at pressure boiler)
7503-D	13	SE	4XSL003	1	Tube 8x12 grey
7503-D	14	SE	4XSL003	1	Tube 8x12 grey (when used with open boiler)
7503-D	14	SE	4XSL001	1	Tube 4x8 grey
7503-D	15	SE	4KDT004	4	Adapter for mixer house (not for 9CND/9XNA) <i>Replaced by 4KDT008 from S/N 2013.42.xxxx.001 for 9CND</i>
7503-D	15	SE	4KDT008	4	Adapter for mixer house (9CND/9XNA only)
7503-D	16				n/a
7503-D	17	SW	6CKB310	1	Wire harness with poly switch (safety)
7503-D	17	SW	6CKB208	1	Cable to main wire harness 2 mixers













- Part numbers marked with "SE" are Service parts Engineer stock
- Part numbers marked with "SW" are Service parts Warehouse stock
- Part numbers marked with "n/a" are Not Available as spare part
- De Jong Duke recommends to have service parts available on local (SW) or car (SE) stock.



<i>Drawing</i>	<i>Pos</i>	<i>S</i>	<i>Part Nr</i>	<i>Qty</i>	<i>Spare Part Description</i>
<b>PARTS</b>					
7602-B	01	SW	4EVT004	1	Fan motor
7602-B	02		5KAF115	1	Fan housing
7602-B	02		5KAF053	1	Fan housing <i>Used in INB / FND</i>
7602-B	03		4XSL030	1	Hose black 32mm
7602-B	04		4KPF004	1	Knee plug
7602-B	05		5KPF002	1	Straight plug
7602-B	06		5KAF116	1	Protective Fan Grid (CND / IEA / CEC / XNA / XEA)
<b>HISTORY</b>					




- Part numbers marked with "SE" are Service parts Engineer stock
- Part numbers marked with "SW" are Service parts Warehouse stock
- Part numbers marked with "n/a" are Not Available as spare part
- De Jong Duke recommends to have service parts available on local (SW) or car (SE) stock.

## Tool List General


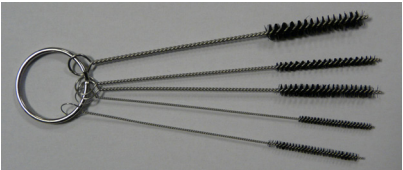



Picture	Part Nr	Description
 	n/a	EN Flat screwdriver
		DE Schlitz Schraubendreher
		NL Platte schroevendraaier
		0.5 / 3.0 / 10 mm
		0.8 / 4.0 / 20 mm
 	n/a	EN Philips screwdriver
		DE Kreuzschlitzschraubendreher
		NL Kruiskop schroevendraaier
 	n/a	EN Torx screwdriver
		DE Torx Schraubendreher
		NL Torx schroevendraaier
		Torx 15, 22 mm
 	n/a	EN Socket screwdriver
		DE Steck Schlüsseldreher
		NL Dopsleutel
		07 / 15 mm
	n/a	EN Combination plier
		DE Kombinations-Zange
		NL Combinatietang
	n/a	EN Slip Joint Plier
		DE Wasserpumpen-Zange
		NL Waterpomptang
	n/a	EN Side Cutter
		DE Seiten Schneider
		NL Zijknijptang
	n/a	EN Knife
		DE Stanley Messer
		NL Stanley mes

Picture	Part Nr	Description	
	n/a	EN	Multimeter
		DE	Multimeter
		NL	Multimeter
	4HLP148	EN	Tube cutter
		DE	Schlauch abschneider
		NL	Slangknipper voor drukslang
	4HLP142	EN	Extraction tool <i>Mini Fit JR, 011030044</i>
		DE	Demontage Werkzeug <i>Mini Fit JR, 011030044</i>
		NL	Extraction tool <i>Mini Fit JR, 011030044</i>
	n/a	EN	Unlocking tool <i>John Guest ICLT/2</i>
		DE	Spann- und Lösehilfe <i>John Guest ICLT/2</i>
		NL	Slang-ontkoppel-set <i>John Guest ICLT/2</i>
	n/a	EN	Electrostatic discharge (ESD) wrist strap
		DE	Electrostatische Entladungen (ESD) Handgelenkband
		NL	Elektrostatische ontlading (ESD) polsband

**Tool List for machines with UNI-brewer**

<i>Picture</i>	<i>Part Nr</i>	<i>Description</i>	
	n/a	EN	Spanner Wrench
		DE	Ring-Maulschlüssel
		NL	Steeksleutel
			7 mm / 13 mm / 15 mm
	n/a	EN	Punch
		DE	Splinttreiber
		NL	Drevel
			3 mm 5 mm
	n/a	EN	Torgue wrench / screwdriver 1,8N/m
		DE	Torgue Schraubenschlüssel / Schraubendreher 1,8 N/m
		NL	Moment sleutel / schroevendraaier 1,8 N/m

**Tool List for machines with CoEx (XL) brewers**

Picture	Part Nr	Description	
	4HLP132	EN	Filter head cleaner
		DE	Filter Kopf Putzer
		NL	Filterkop reiniger
	4HLP143	EN	CoEx outlet cleaner brush
		DE	CoEx Ausgabe Reinigungsbürste
		NL	CoEx uitgifte reinigingsborstel
	4HLP157	EN	Spanner wrench 14mm <i>Modified for sensor cable</i>
		DE	Schlüssel 14mm <i>Für Sensorkabel modifiziert</i>
		NL	Ringsleutel 14mm <i>Aangepast voor sensor kabel</i>
	n/a	EN	Allen Wrench / Hex key 5 mm <i>For new banjo bolts</i>
		DE	Innensechkant-schlüssel 5 mm <i>Für neue Banjobolzen</i>
		NL	Inbussleutel 5 mm <i>Voor nieuwe banjo bouten</i>
	9VDG001 9VDG002	EN	Pressure-gauge
		DE	Druckmesser
		NL	Manometer
			0 - 2 bar 0 - 16 bar

**Disclaimer Manufacturer**

Although this manual has been put together with the utmost care, J.M. de Jong DUKE automatenfabriek b.v. accepts no liability for inaccuracies or omissions. No liability is accepted for the consequences arising from operation of the equipment in accordance with the information contained in this manual.

J.M. de Jong DUKE automatenfabriek b.v. reserves the right to alter specifications at any time and without prior notification to the purchaser.

All rights reserved.

**Copyright**

J.M. de Jong DUKE automatenfabriek b.v. © 2025

The contents of this manual are copyrighted. Texts, images, and source files may only be used for professional purposes.





No part of this guide may be reused, modified, or published without the prior written permission of the manufacturer.

Printing pages is allowed only for professional use.

**Manufacturer**






**De Jong DUKE**  
Postbus 190  
3360 AD SLIEDRECHT  
The Netherlands

 +31 (0)184 209 767 (sales)  
 +31 (0)184 209 609 (support)  
 [www.dejongduke.nl](http://www.dejongduke.nl)  
 [spareparts@dejongduke.nl](mailto:spareparts@dejongduke.nl)  
 [support@dejongduke.nl](mailto:support@dejongduke.nl)



**De Jong DUKE North America**  
12680 Delta Street  
Taylor, MI, 48180  
U.S.A.

 +1 734 403 1708  
 [www.dejongduke.com](http://www.dejongduke.com)  
 [support@dejongduke.com](mailto:support@dejongduke.com)



