

Nio

Spare Parts Manual Coffee Machine Nio series

9CKA with CoEx Brewer
with METAL or PPSU valves



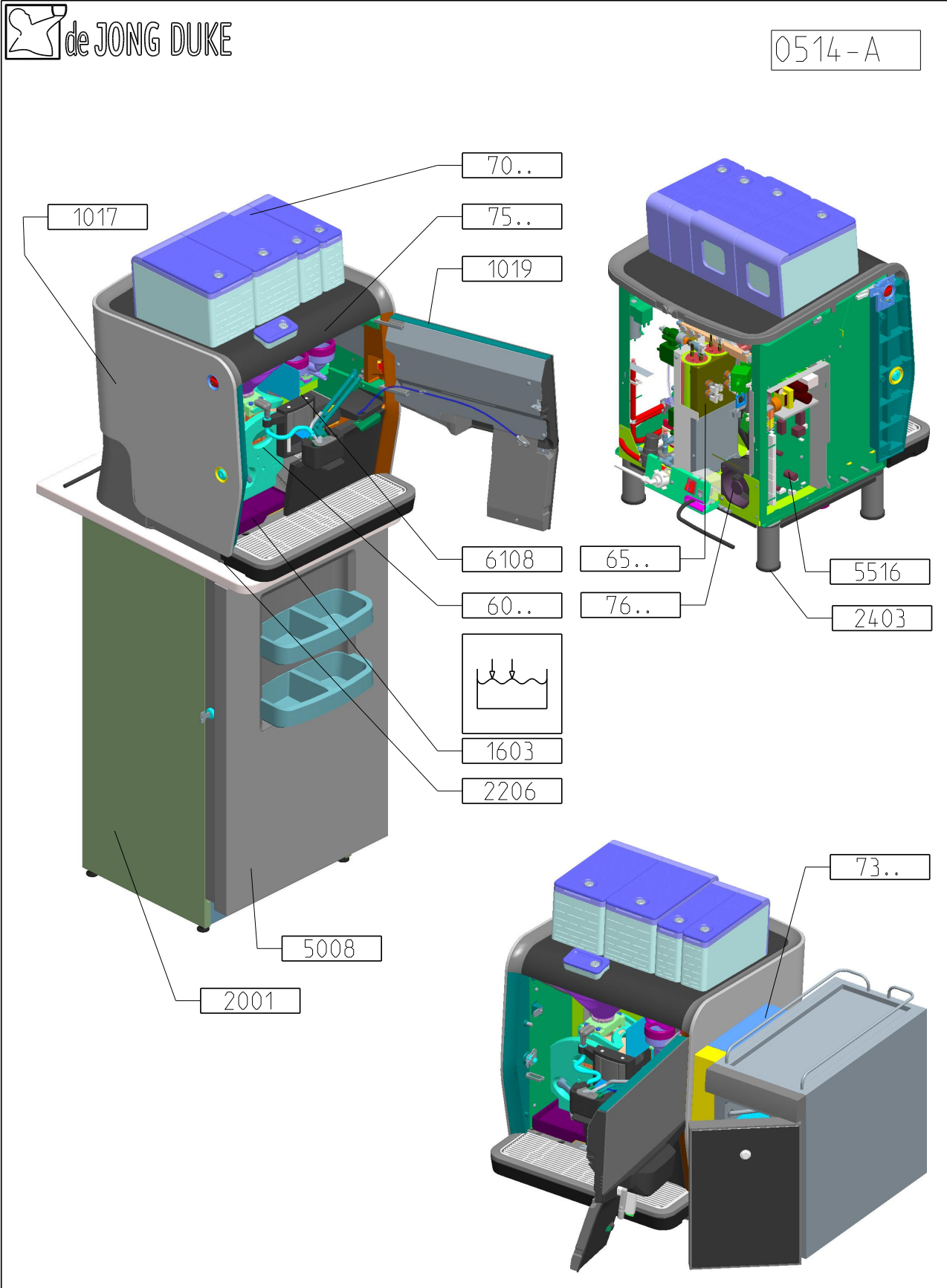
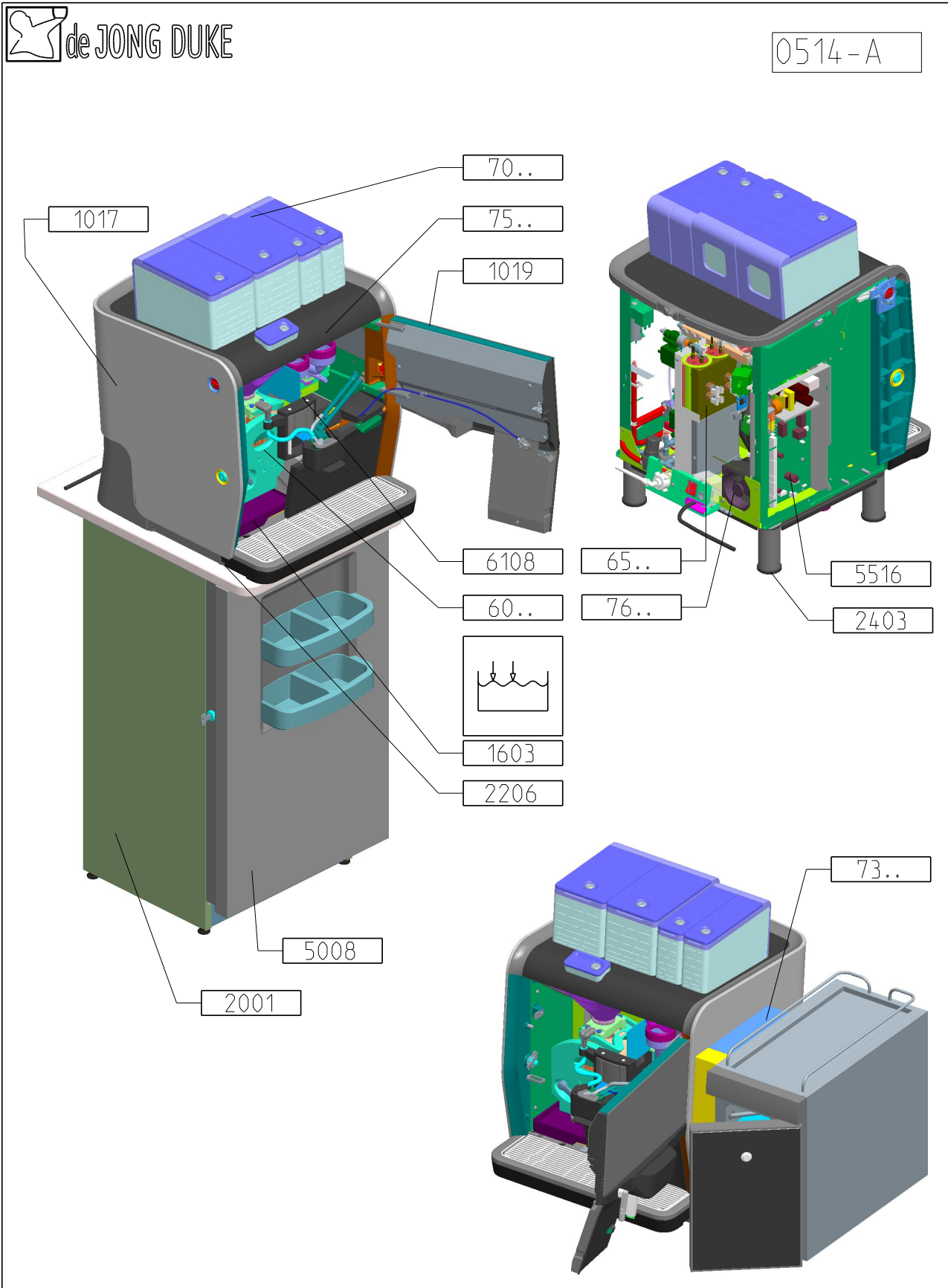




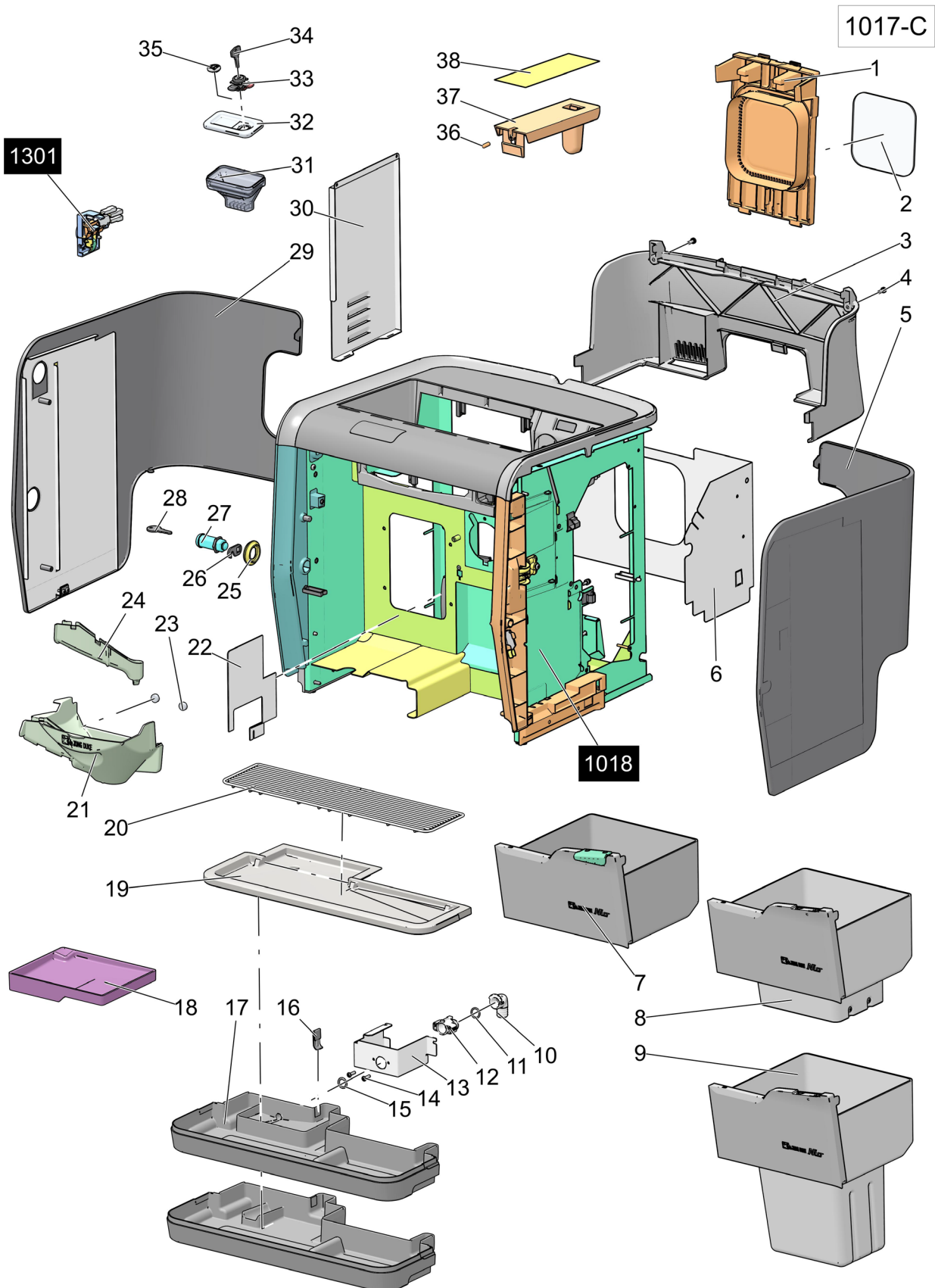
Table of Contents

0514 Overview 9CKA+PPSU	2
1017 Cabinet 9CKA.....	6
1018 Cabinet 9CKA+S-grinder	10
1018 Cabinet 9CKA+D-grinder	14
1019 Door Nio	18
1301 Cleaning Tablet Entry	20
1603 Drip tray Sensor.....	22
2001 Base Cabinet Medium.....	24
2206 Table 9CKA	26
2403 Table Base 9CKA	28
4015 Display Nio	30
4515 Payment Unit Nio.....	32
5008 Base Cabinet Door Nio	36
5515 MoVeC ICEQ2 Controller Board	38
5516 MoVeC ICEQ IOB and PSU 9CKA	42
5517 PCB Canister Illumination Nio	46
6003 CoEx Brewer Overview	48
60031 CoEx Brewer Motor Assembly	50
60032 CoEx Brewer Assembly	52
6108 Adjustable Dispense Head 9CKA	56
6503 Pressure Boiler 9CKA - 2019	58
6503 Pressure Boiler 9CKA 2019-	62
6503 Pressure Boiler PPSU NIO	66
6506 Steam Boiler Metal Valves 9CKA	70
6506 Steam Boiler PPSU Valves 9CKA	74
6603 Valves Metal 9CKA.....	78
6606 Valves PPSU CKA.....	82
7017 Canister Complete Nio.....	84
70171 Canister Body Nio	86
70172 Canister Base Nio	88
70173 Canister Wheel and Spring Nio.....	90
7018 Bean Canister Nio.....	92
7102 S-Grinder Nio.....	94
7103 D-Grinder Assembly.....	98
7104 D-Grinder.....	100
7303 Fresh Milk Pump Nio	102
7304 Fresh Milk System Nio	106

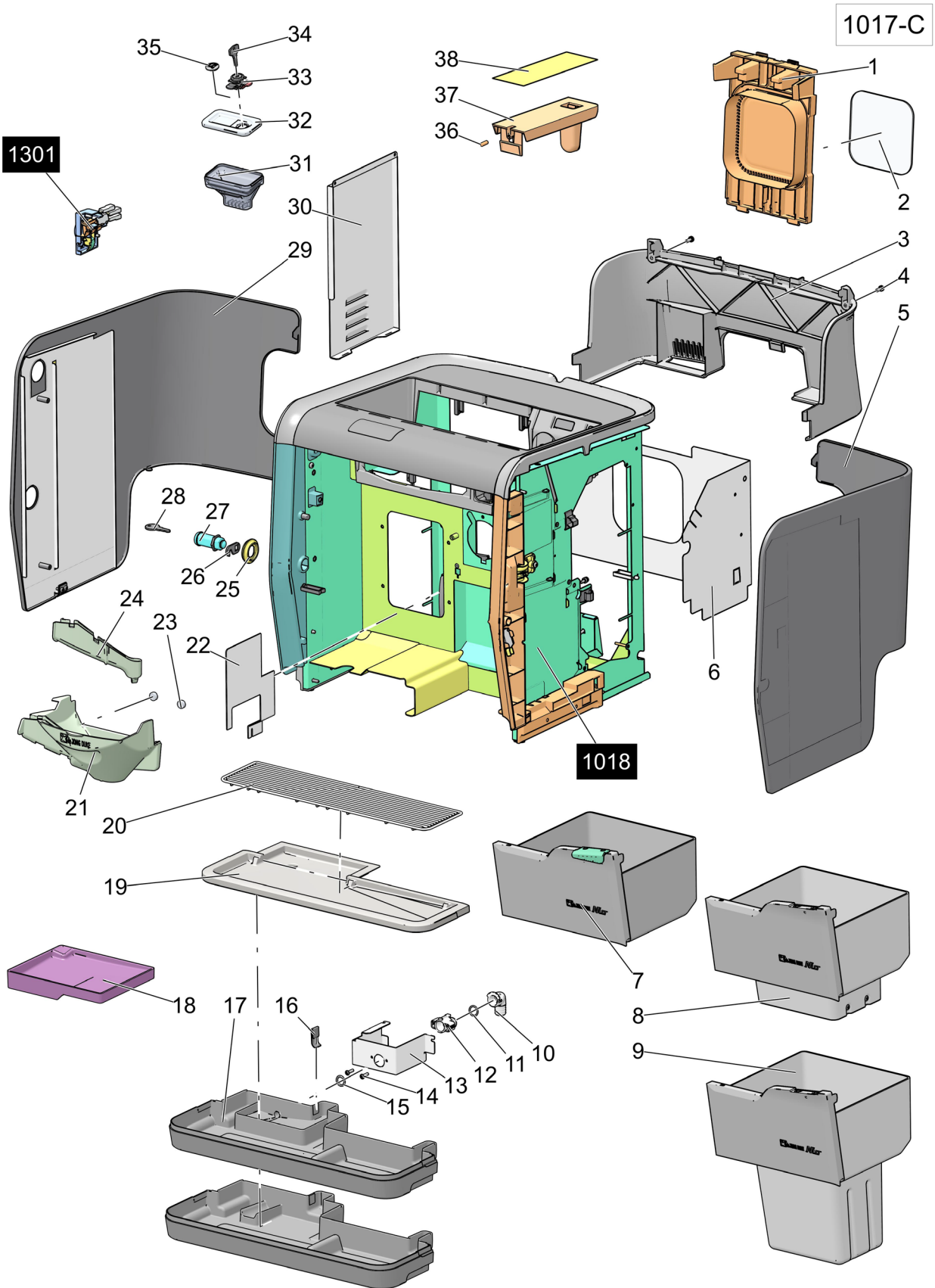




7505 Mixer System Nio	108
7603 Fan Nio	110
9000 Recommended Tools	112
Disclaimer	116

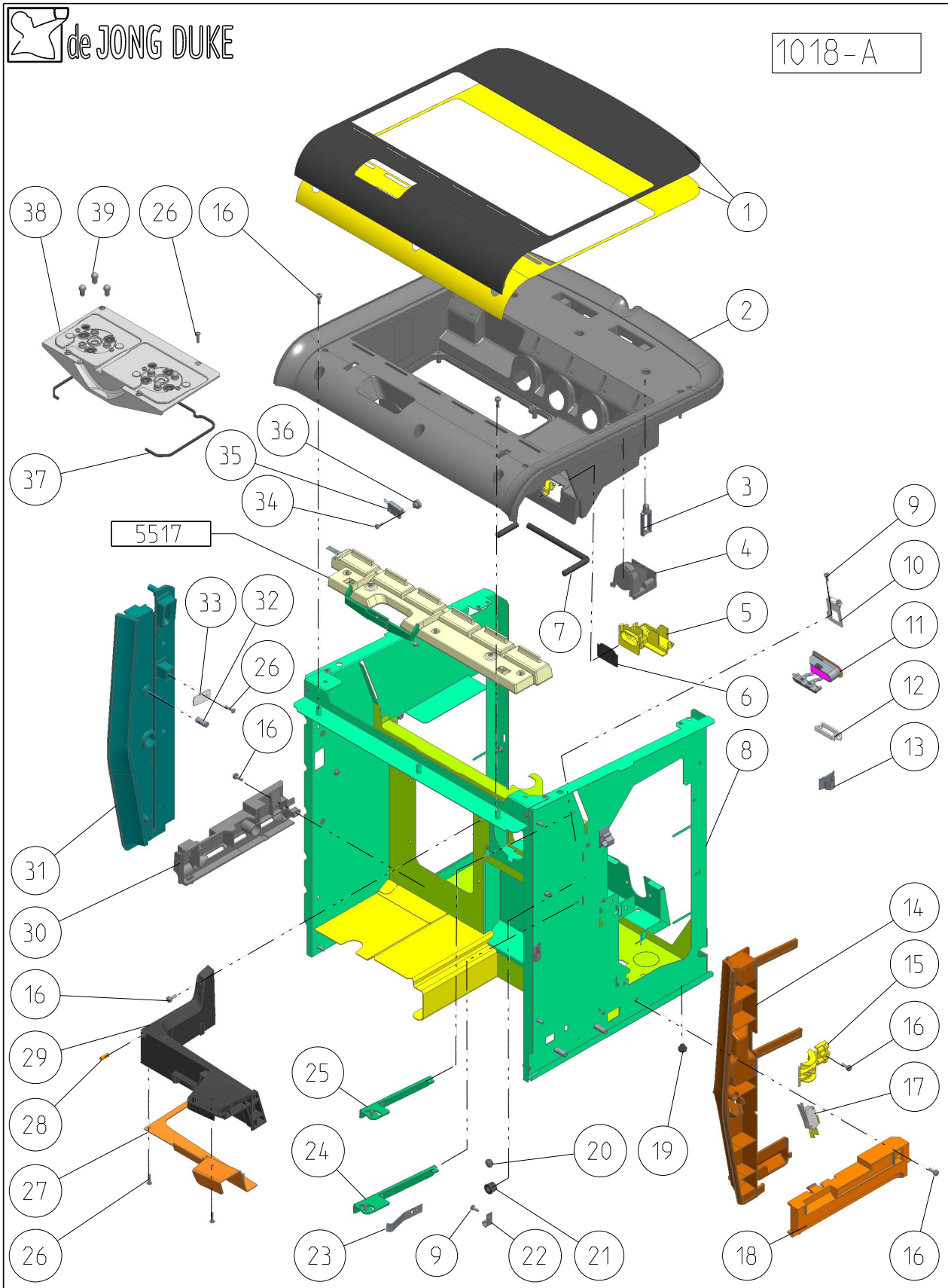


Drawing	Pos	S	Part Nr	Qty	Spare Part Description
1301					Refer to drawing 1301: Cleaning Tablet Entry
1018					Refer to drawing 1018: Cabinet 9CKA Frame
1017-C		SW	9DDG001		Coffee funnel assembly <i>with items 21,23,24</i>
1017-C			9HKA038		Machine side cover replacement set Nio <i>with items 5 and 29</i>
1017-C			9HKA039		Machine side cover replacement set Nio FM <i>with items 5 and 29</i>
1017-C		SW	9AOV028		Nio waste water connection set <i>with items 10 - 17</i>
1017-C		SW	9AOV030		Flange with O-ring <i>with items 11 and 12</i>
1017-C	01		5KBH020	1	Nio logo plate
1017-C	02		5KFR048	1	Optional logo plate (blank)
1017-C	03		5KBH019	1	Back machine housing
1017-C	04	SE	4BBK032	12	Bolt with lock washer M4x12
1017-C	05		6HKA069	1	Machine cover right aluminium
1017-C	05		5TMP118 -RAL9006	1	Machine cover right - plastic
1017-C	05		6HKA071	1	Machine cover right FM aluminium
1017-C	05		TBD	1	Machine cover right FM - plastic
1017-C	06		5TMP226	1	Internal cover plate back <i>Used only in combination with plastic machine covers</i>
1017-C	07		9AOV018	1	Waste bucket assembly - standard <i>capacity: 99 cups (each cup 7,4 gr)</i>
1017-C	08		9AOV019	1	Waste bucket extended <i>capacity: 182 cups (each cup 7,4 gr)</i>
1017-C	09	SW	9AOV020	1	Waste transit
1017-C	10		5KAF142	1	Locking knee
1017-C	11		4ROR044	1	O-ring 14x1,5 EPDM Shore 70
1017-C	12		5KAF141	1	Flange
1017-C	13		5MAF113	1	Nio flange bracket
1017-C	14		4BSC036	2	Screw polymate torx 3.5x13.5
1017-C	15		4ROR043	1	O-ring 13x2,0 EPDM Shore 70
1017-C	16	SW	5MVR031	1	External drip tray sensor spring clip
1017-C	17	SW	5KAF122	1	External drip tray
1017-C	17		5KAF140	1	External drip tray <i>with waste water outlet</i>
1017-C	18	SW	5KAF120	1	Internal drip tray
1017-C	19	SW	5KAF123	1	External drip tray lid
1017-C	20		5MAF102	1	External drip tray grid

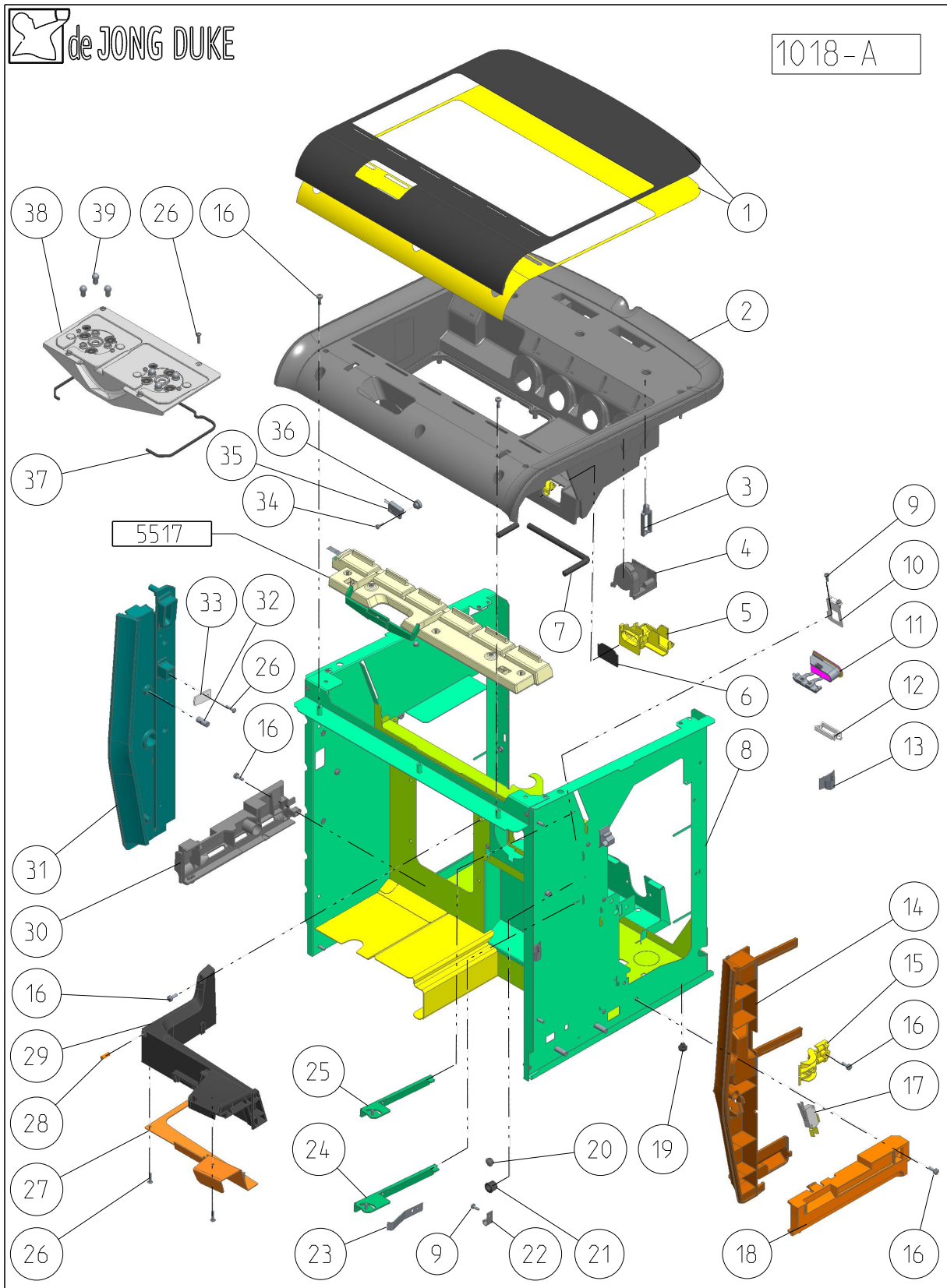


Drawing	Pos	S	Part Nr	Qty	Spare Part Description
1017-C	21		5KBH023	1	Coffee funnel <i>used if S-grinder is installed</i>
1017-C	21		5KBH053	1	Coffee funnel <i>used if D-grinder is installed</i>
1017-C	22		5MPL227	1	CoEx brewer cover
1017-C	23		4MMG001	2	Coffee funnel magnet
1017-C	24		5KPD113	1	Cleaning pill ramp
1017-C	25		5KBH025	1	Door lock mounting
1017-C	26		4MHS034	1	Locking latch hook
1017-C	27	SW	9HDR075	1	Door lock with key
1017-C	28		4MHS037	1	Door lock key
1017-C	29		6HKA070	1	Machine cover left aluminium
1017-C	29		5TMP117 -RAL9006	1	Machine cover left - plastic
1017-C	30		5TMP116	1	Internal cover plate electronics <i>Used only in combination with plastic machine covers</i>
1017-C	31		5KPD097	1	Coffee chute
1017-C	32		5KPD112	1	Coffee chute lid
1017-C	33	SW	4MHS030	1	Canister lock with key
1017-C	34		4MHS031	1	Canister lock key
1017-C	35		5RDK004	1	Rubber seal for key assembly hole
1017-C	36		4MMG002	1	Absent canister cover magnet
1017-C	37		5KBH024	1	Absent canister 63mm cover support
1017-C	38		9HKA016	1	Absent canister 63mm cover + tape
1017-C	38		9HKA017	1	Absent canister 63mm cover right + tape
1017-C	38		9HKA020	1	Absent canister 126mm cover right + tape

- Part numbers marked with "SE" are Service parts Engineer stock
- Part numbers marked with "SW" are Service parts Warehouse stock
- Part numbers marked with "n/a" are Not Available as spare part
- De Jong Duke recommends to have service parts available on local (SW) or car stock (SE).



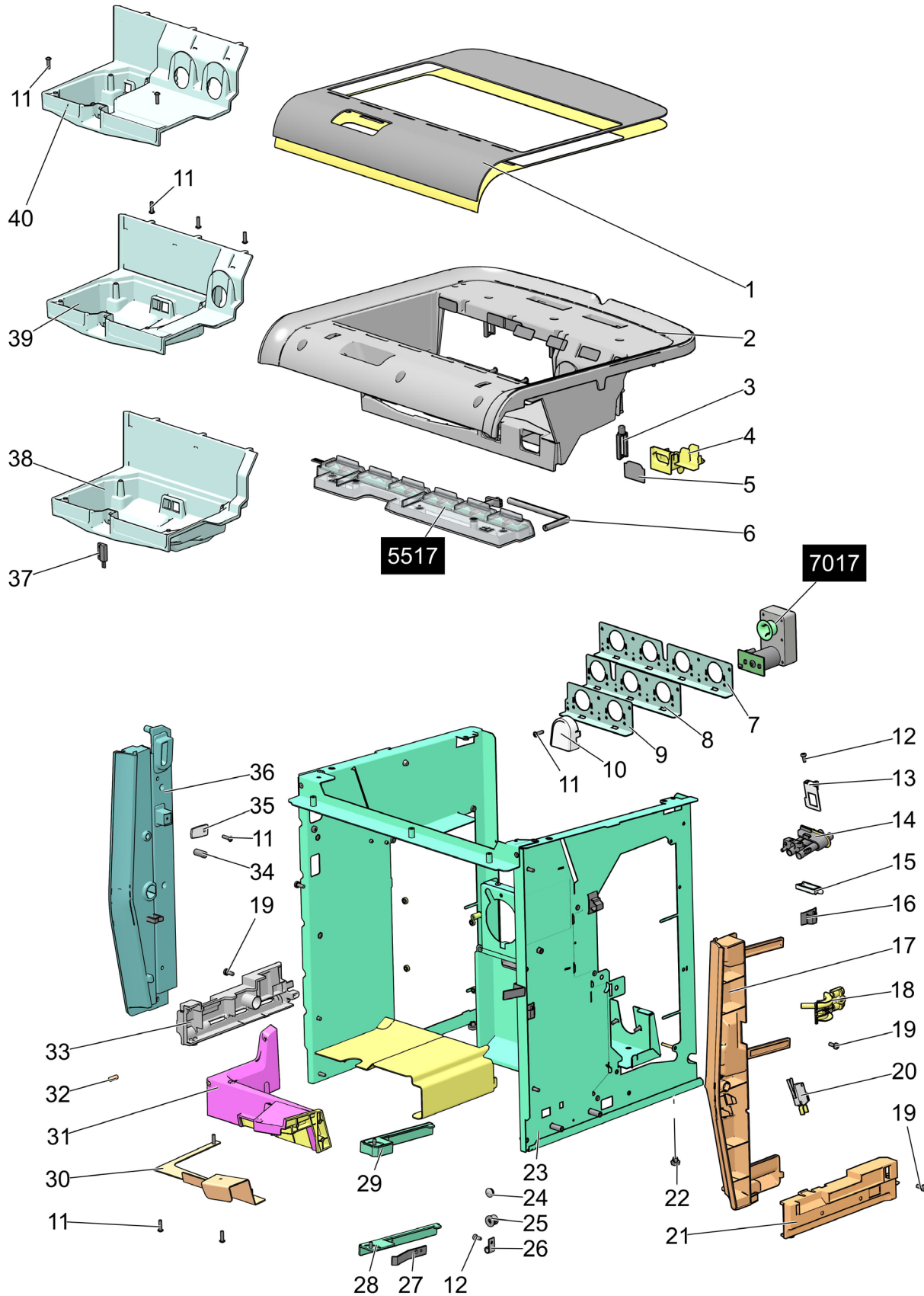
Drawing	Pos	S	Part Nr	Qty	Spare Part Description
5517					Refer to drawing 5517: PCB Canister Illumination 9CKA
1018-A	01		9HKA018	1	Decoration plate + tape
1018-A	01		9HKA019	1	Decoration plate with cut-out for chute + tape
1018-A	02		5KBH015	1	Top machine housing
1018-A	03		4BKM041	3	Wire saddle for blind hole H35
1018-A	04		5KBH034	1	Cover for empty motor slot
1018-A	05		5KAF121	n	Suction tray
1018-A	06		5KFR049	n	Cover plate suction hole
1018-A	07		4XRE009	2	Suction house packing
1018-A	08		6HKA078	1	Machine frame
1018-A	09		4BSC022	3	Cutting screw 3.5x9.5
1018-A	10		5MCB039	1	Network connector bracket
1018-A	11		5KDT002	1	Cable protection
1018-A	12		4BKM061	4	Wire saddle with plug
1018-A	13		4BKM010	4	Cable clamp D10 grey
1018-A	14		5KBH026	1	Door jamb right
1018-A	15		5KDT004	1	Door cable strain relief
1018-A	16	SE	4BBK032	12	Bolt with lock washer M4x12
1018-A	17	SW	4ESK048	1	Micro switch - Waste bucket detector
1018-A	18		5KBH036	1	Door plinth block right <i>used for standard and Fresh Milk (FM) models</i>
1018-A	19		4BAF030	2	Machine foot
1018-A	20		5RDK003	1	Covering plug
1018-A	21		4BKM058	1	Grommet hot water hose
1018-A	22		4BKM060	1	P-clip hot water hose
1018-A	23		5MVR040	1	Leaf spring
1018-A	24		5MHS048	1	Cabinet door lower hinge
1018-A	25		5MHS046	1	Cabinet door upper hinge
1018-A	26		4BSC036	12	Screw torx 3.5x13.5
1018-A	27		5MVL193	1	Bottom cover for support
1018-A	28		4MMG002	1	Magnet
1018-A	29		5KBH030	1	Support for adjustable dispense head
1018-A	30		5KBH022	1	Door plinth block left
1018-A	31		5KBH017	1	Door jamb left
1018-A	32		5MDF034	1	Door guide pin
1018-A	33		5MPL228	1	Door switch plate
1018-A	34		4BBK040	1	Bolt with lock washer M3x10 Torx
1018-A	35		6CKB514	1	Coffee funnel reed sensor
1018-A	36		4BMV011	1	Knurled Nut M3 off-white PA66



Drawing	Pos	S	Part Nr	Qty	Spare Part Description
1018-A	37		5RVA023	1	Grinder lid packing
1018-A	38		5KBN014	1	Grinder lid 2x grinder
1018-A	38		5KBN015	1	Grinder lid combined canister 2x grinder
1018-A	38		5KBN017	1	Grinder lid 1x grinder
1018-A	39		4RVA010	6	Grinder vibration damper
1018-A			4BAF033	6	Hollow rivet <i>Not drawn</i>
HISTORY					
1018-A	18		5KBH021	1	Door plinth block right
1018-A	18		5KBH035	1	Door plinth block right FM

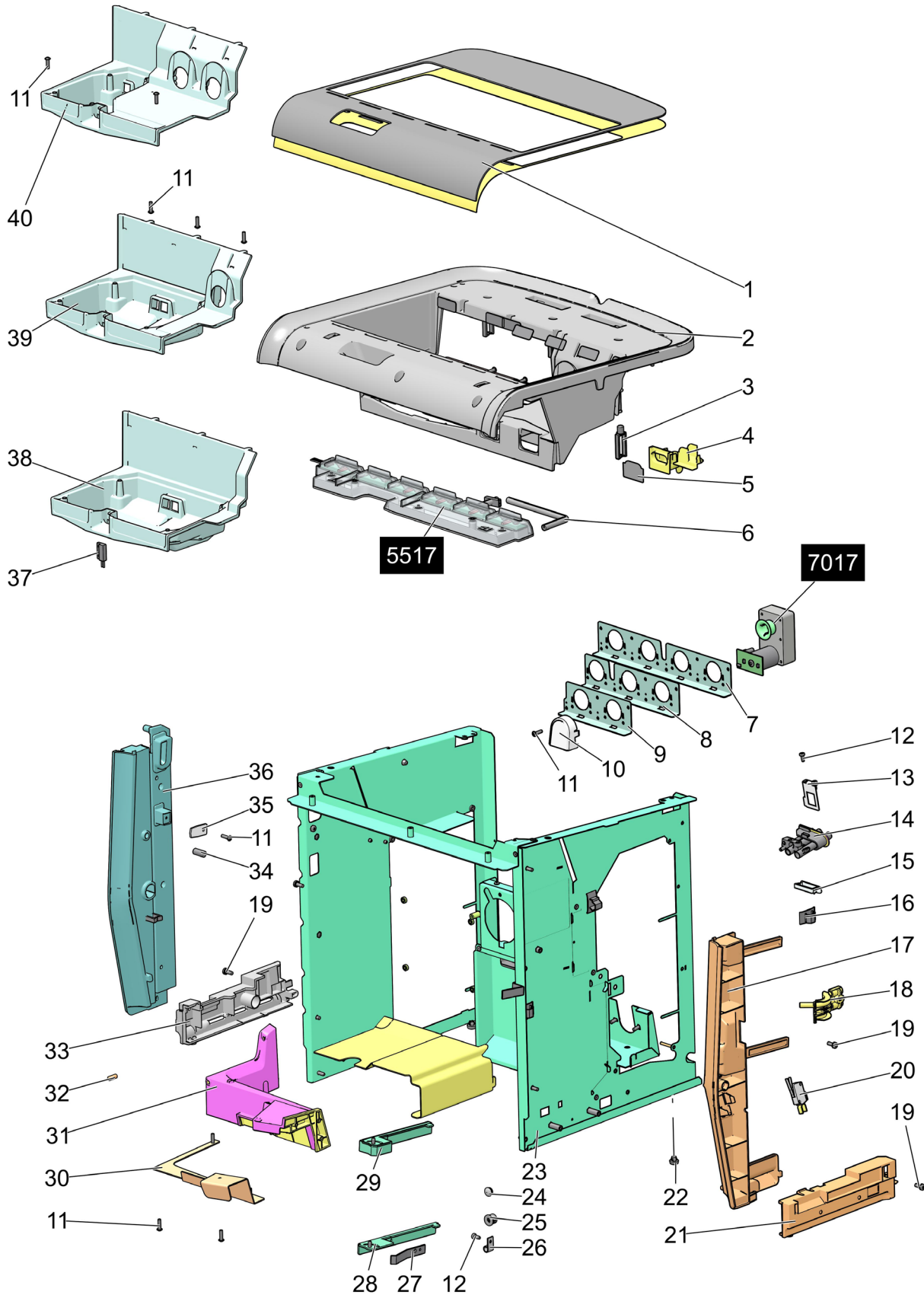
- Part numbers marked with "SE" are Service parts Engineer stock
- Part numbers marked with "SW" are Service parts Warehouse stock
- Part numbers marked with "n/a" are Not Available as spare part
- De Jong Duke recommends to have service parts available on local or car stock.

1018-B



Drawing	Pos	S	Part Nr	Qty	Spare Part Description
5517					Refer to drawing 5517: PCB Canister Illumination 9CKA
7017					Refer to drawing 7017: Canister complete Nio
					PARTS
1018-B	01		9HKA018	1	Decoration plate + tape
1018-B	01		9HKA019	1	Decoration plate with cut-out for chute + tape
1018-B	02		5KBH052	1	Top machine housing
1018-B	03		4BKM041	3	Wire saddle for blind hole H35
1018-B	04		5KAF121	n	Suction tray
1018-B	05		5KFR049	n	Cover plate suction hole
1018-B	06		4XRE009	2	Suction house packing
1018-B	07		5MBH512	1	4 ingredients motor bracket
1018-B	08		5MBH511	1	3 ingredients motor bracket
1018-B	09		5MBH510	1	2 ingredients motor bracket
1018-B	10		5KBH051	1	Cover for empty motor slot
1018-B	11		4BSC036	12	Screw torx 3.5x13.5
1018-B	12		4BSC022	3	Cutting screw 3.5x9.5
1018-B	13		5MCB039	1	Network connector bracket
1018-B	14		5KDT002	1	Cable protection
1018-B	15		4BKM061	4	Wire saddle with plug
1018-B	16		4BKM010	4	Cable clamp D10 grey
1018-B	17		5KBH026	1	Door jamb right
1018-B	18		5KDT004	1	Door cable strain relief
1018-B	19	SE	4BBK032	12	Bolt with lock washer M4x12
1018-B	20	SW	4ESK048	1	Micro switch - Waste bucket detector
1018-B	21		5KBH036	1	Door plinth block right <i>used for standard and Fresh Milk (FM) models</i>
1018-B	22		4BAF030	2	Machine foot
1018-B	23		6HKA078	1	Machine frame
1018-B	24		5RDK003	1	Covering plug
1018-B	25		4BKM058	1	Grommet hot water hose
1018-B	26		4BKM060	1	P-clip hot water hose
1018-B	27		5MVR040	1	Leaf spring
1018-B	28		5MHS048	1	Cabinet door lower hinge
1018-B	29		5MHS046	1	Cabinet door upper hinge
1018-B	30		5MVL193	1	Bottom cover for support
1018-B	31		5KBH030	1	Support for adjustable dispense head
1018-B	32		4MMG002	1	Magnet
1018-B	33		5KBH022	1	Door plinth block left
1018-B	34		5MDF034	1	Door guide pin
1018-B	35		5MPL228	1	Door switch plate

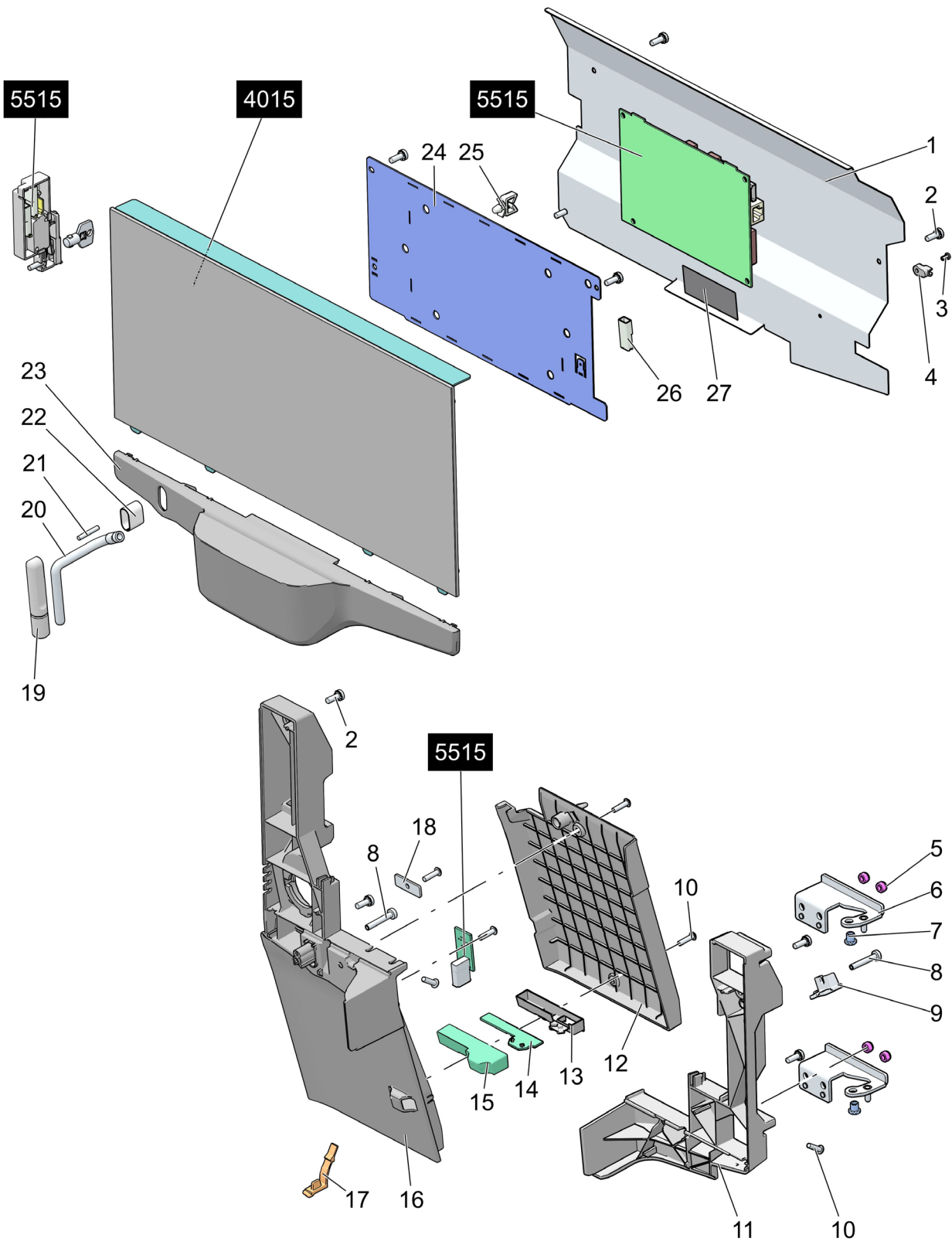
1018-B



<i>Drawing</i>	<i>Pos</i>	<i>S</i>	<i>Part Nr</i>	<i>Qty</i>	<i>Spare Part Description</i>
1018-B	36		5KBH017	1	Door jamb left
1018-B	37		6CKB514	1	Coffee funnel reed sensor
1018-B	38		5KBN038	1	Grinder carrier 2 bean canister
1018-B	39		5KBN039	1	Grinder carrier combi canister
1018-B	40		5KBN040	1	Grinder carrier 1 bean canister
					HISTORY

- *Part numbers marked with "SE" are Service parts Engineer stock*
- *Part numbers marked with "SW" are Service parts Warehouse stock*
- *Part numbers marked with "n/a" are Not Available as spare part*
- *De Jong Duke recommends to have service parts available on local or car stock.*

1019-B

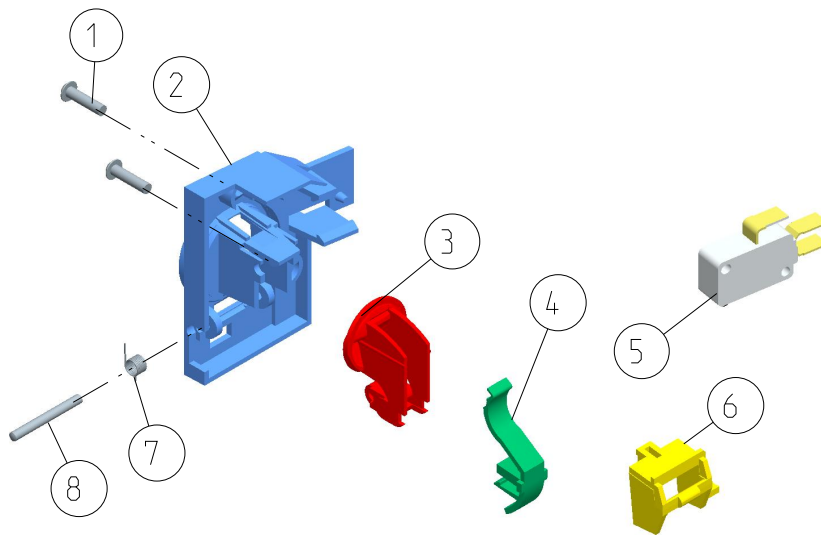


<i>Drawing</i>	<i>Pos</i>	<i>S</i>	<i>Part Nr</i>	<i>Qty</i>	<i>Spare Part Description</i>
4015					Refer to drawing 4015: Display
5515					Refer to drawing 5515: Movec ICEQ2 Controller Board
1019-B	01		5MDR468	1	Protection plate
1019-B	02		4BBK032	9	Bolt with lock washer M4x12
1019-B	03		4BKL038	1	Click nail
1019-B	04		4BKM057	1	Tube clamp
1019-B	05		4BMZ011	4	Nut Lock M4
1019-B	06		5MHS045	2	Screwable door hinges
1019-B	07		4KLG004	2	Sleeve bearing 4x6x9x8
1019-B	08		4BBK044	2	Bolt M4x25
1019-B	09		5KDT003	1	Strain relief seal
1019-B	10		4BSC036	6	Screw torx 3.5x13.5
1019-B	11		5KDR071	1	Door profile right
1019-B	12		5KDR074	1	Door back cover
1019-B	13		5KBK062	1	Cup sensor back housing
1019-B	14	SW	5EPR145	1	Cup sensor PCB
1019-B	15		5KBK061	1	Cup sensor front housing
1019-B	16		5KDR073	1	Door profile left
1019-B	17	SW	5RVA022	1	USB cap
1019-B	18		5MHS047	1	Locking plate
1019-B	19		5MVL199	1	Water tap
1019-B	20		5RSL012	1	Water outlet tube
1019-B	21		4BPN024	1	Cylindrical pen 3x20
1019-B	22		5MVL200	1	Water tap clip
1019-B	23		5KDR072	1	Door front head
1019-B	24		5MCB040	1	Support plate for controller board
1019-B	25		4BKM051	1	Cable clamp
1019-B	26		6CKB436	1	Ground wire L=320 1xM4
1019-B	27		4BTP003	1	Adhesive foam 10x15 L=12cm <i>For details: check drawing 5515</i>

- Part numbers marked with "SE" are Service parts Engineer stock
- Part numbers marked with "SW" are Service parts Warehouse stock
- Part numbers marked with "n/a" are Not Available as spare part
- De Jong Duke recommends to have service parts available on local (SW) or car stock (SE).



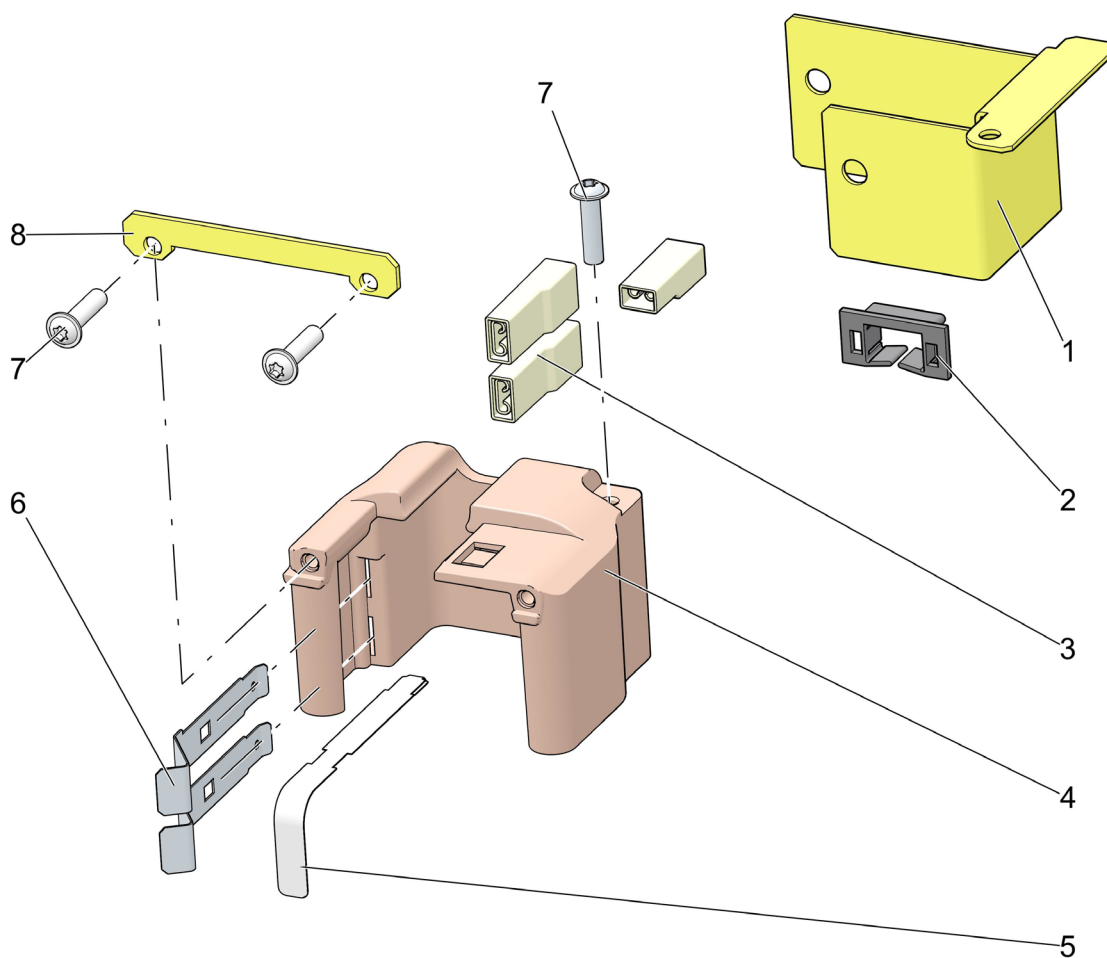
1301-A



Drawing	Pos	S	Part Nr	Qty	Spare Part Description
1301-A	01		4BSC036	2	Screw torx 3.5x13.5
1301-A	02		5KBH027	1	Cleaning tablet entry mounting
1301-A	03		5KBH028	1	Cleaning tablet entry lid
1301-A	04		5KBH029	1	Cleaning tablet inlay
1301-A	05	SW	4ESK023	1	Cleaning tablet detection micro switch
1301-A	06		5KVA004	1	Cleaning tablet detection arm
1301-A	07		5MVR041	1	Torsion spring
1301-A	08		4BPN025	1	Cylindrical pen 3x28

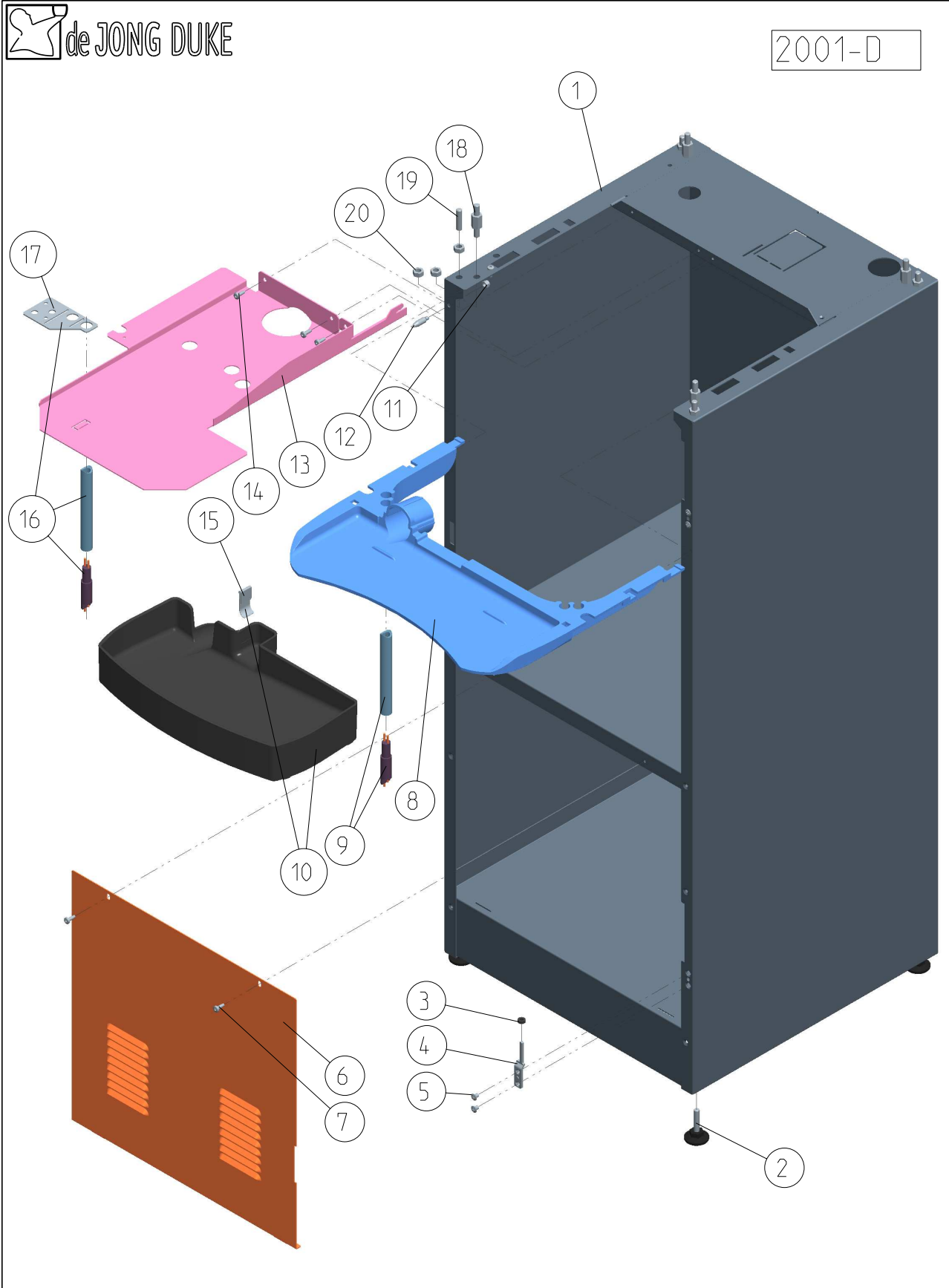
- Part numbers marked with "SE" are Service parts Engineer stock
- Part numbers marked with "SW" are Service parts Warehouse stock
- Part numbers marked with "n/a" are Not Available as spare part
- De Jong Duke recommends to have service parts available on local (SW) or car stock (SE).

1603-C



<i>Drawing</i>	<i>Pos</i>	<i>S</i>	<i>Part Nr</i>	<i>Qty</i>	<i>Spare Part Description</i>
					SETS
1603-C		SW	6CSS060		Drip tray connector assembly <i>with items 3, 4, 5, 6</i>
1603-C		SW	6CSS067		Drip tray connector assembly Nio <i>with items 1, 2, 3, 4, 5, 6, 7, 8</i>
					PARTS
1603-C	01		5MAF101- RAL9005	1	Back bracket - powder coated <i>(Nio only)</i>
1603-C	02		4BKM053	1	Cable saddle edge mount <i>(Nio only)</i>
1603-C	03		6CKB456	1	Cable
1603-C	04		5KAF135	1	Sensor housing <i>NOTE: only use in combination with 5MVR046</i>
1603-C	05		5MVR046	1	Connector clip <i>NOTE: only use in combination with 5KAF135</i>
1603-C	06		5MVR030	2	Side spring connector
1603-C	07		4BSC036	2	Screw torx 3.5x13.5
1603-C	08		5MVL214	1	Front bracket <i>(Nio only)</i>
					HISTORY
1603-B		SW	6CSS042		Drip tray connector assembly <i>Replaced by 6CSS060 from S/N 2017.11.xxxx.001</i>
1603-B	01		5MAF101	1	Back bracket - untreated <i>Replaced by 5MAF101-RAL9005 from S/N 2020.04.6766.001</i>
1603-B	04		5KAF114	1	Sensor housing <i>Replaced by 5KAF135 from S/N 2017.11.xxxx.001</i>
1603-B	05		5MVR033	1	Connector clip <i>Replaced by 5MVR046 from S/N 2017.11.xxxx.001</i>

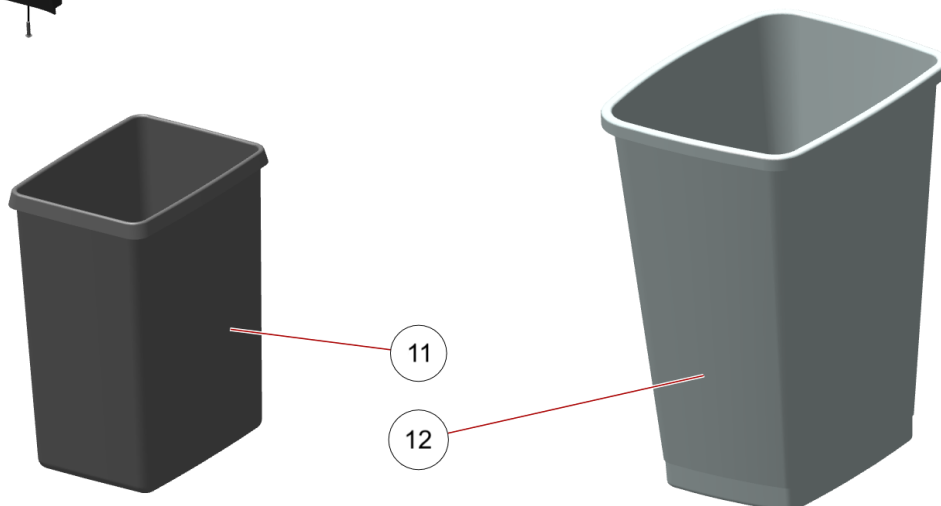
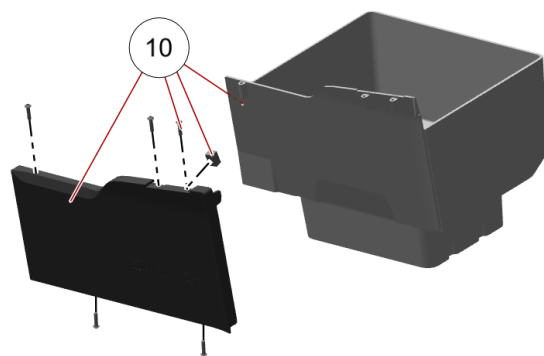
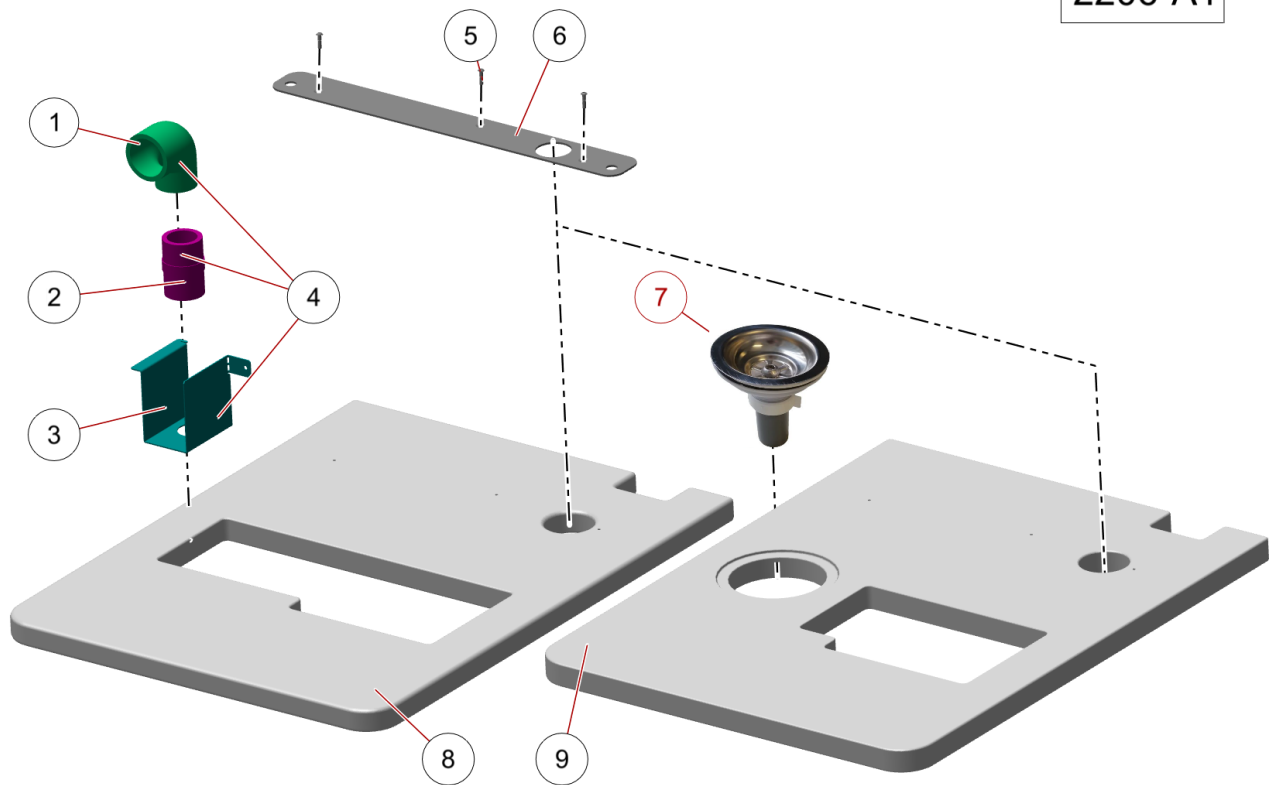
- Part numbers marked with "SE" are Service parts Engineer stock
- Part numbers marked with "SW" are Service parts Warehouse stock
- Part numbers marked with "n/a" are Not Available as spare part
- De Jong Duke recommends to have service parts available on local stock or car stock.



Drawing	Pos	S	Part Nr	Qty	Spare Part Description
2001-D	01		6HKA015-RAL9005		Base cabinet medium <i>for all medium models and Nio</i>
2001-D	02		KA23		Feet
2001-D	03		4KAB002		Distance holder 4.2x8x3
2001-D	04		5MHS015		Hinge
2001-D	05		4BBK011		Bolt M4x10
2001-D	06		5MPL151-KTL		Cover cooling unit in base-cabinet medium
2001-D	07		4BSC022		Cutting screw 3.5x9.5
2001-D	08		5KAF109		Drip tray Base plate medium <i>for Virtu (Varea/V'eco), Zia, Lua</i>
2001-D	09		6CSS043		Drip tray/waste bucket sensor with connector
2001-D	10		9AOV012		Drip tray drain set for base cabinet medium <i>for Virtu (Varea/V'eco), Zia, Lua</i>
2001-D	10		5KAF108		Drip tray Waste Guide medium <i>for Virtu (Varea/V'eco), Zia, Lua</i>
2001-D	11		4BMZ011		Nut Lock M4
2001-D	12		5MDF011		Door pin
2001-D	13		5MAF036	1	Base plate drip tray <i>for SiroTouch</i>
2001-D	14		4BSC022	3	Cutting screw 3.5x9.5
2001-D	15		5MVR031		Spring clip drip tray
2001-D	16		6CSS020		Water Sensor (Cpl. for Base cabinet) <i>for SiroTouch</i>
2001-D	17		5MPL088		Holder for sensor <i>for SiroTouch</i>
2001-D	18		5BBZ008	4	Distance holder <i>for 9FEC, 9INA, 9IEA, 9FND (S/N < 2011.12.xxxx.xxx)</i>
2001-D	19		4BBY022	4	Distance holder screw M6x25
2001-D	20		4BMZ007	8	Nut M6

- Part numbers marked with "SE" are Service parts Engineer stock
- Part numbers marked with "SW" are Service parts Warehouse stock
- Part numbers marked with "n/a" are Not Available as spare part
- De Jong Duke recommends have service parts available on local stock or car stock.

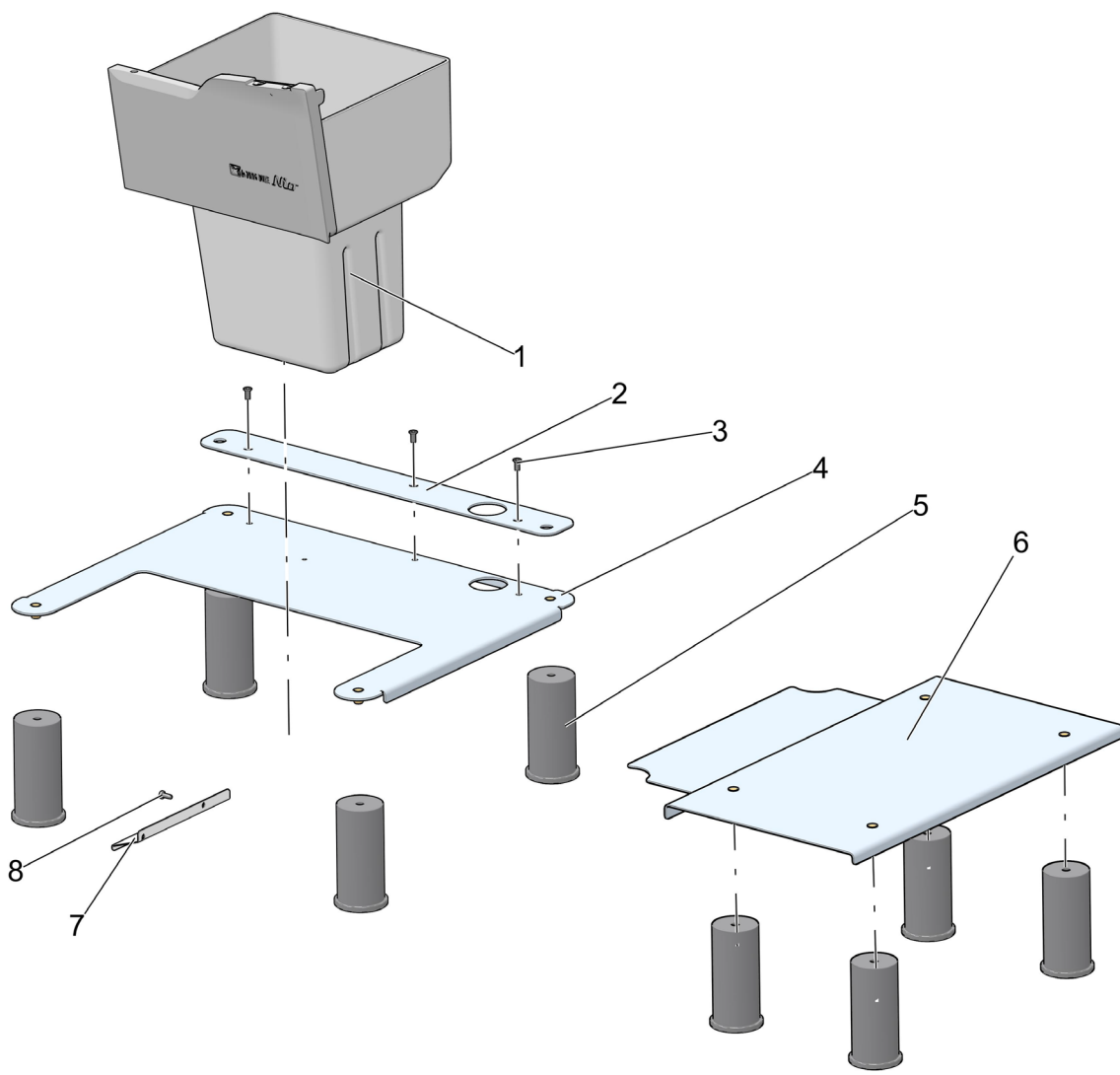
2206-A1



Drawing	Pos	S	Part Nr	Qty	Spare Part Description
2206-A1	07		9AOV025	1	Waste water drain with positioning profile (only for table pos 09) contains item 05, 06 and 07
2206-A1	01		4KPF020	1	Knee PVC-U 90deg 40x32
2206-A1	02		4KPF021	1	Treaded end DU32 x 1" (M)
2206-A1	03		5MAF103	1	Drain bracket Nio
2206-A1	04	SW	8CKA510	1	Drain transit set (only for table pos 08) with items 1, 2, 3
2206-A1	05	SW	4BSC043	3	Sheet metal screw 3.9x16
2206-A1	06		5MPL242	1	Positioning profile Nio
2206-A1	07		9AOV024	1	Waste water drain
2206-A1	08		5FAS007*	1	Table Nio Wide (width: 1204 mm) for use with waste water connection 9AOV030 see drawing 1017 item 10-15
2206-A1	08		5FAS008*	1	Table Nio Small (width: 460mm) for use with waste water connection 9AOV030 see drawing 1017 item 10-15
2206-A1	09		5FAS009*	1	Table Nio Wide (width: 1204 mm) for use with waste water drain (item 07)
2206-A1	09		5FAS010*	1	Table Nio Small (width: 460mm) for use with waste water drain (item 07)
2206-A1	10		9AOV020	1	Waste transit / guide to base cabinet
2206-A1	11		KA307	1	Waste bucket for base cabinet (9 liters)
2206-A1	12		KA53	1	Waste bucket for base cabinet (25 liters)
			*		A suffix determines the finish (example: 5FAS007-R9005G)
			R9005G		Gloss finish
			R9005M		Matt finish

- Part numbers marked with "SE" are Service parts Engineer stock
- Part numbers marked with "SW" are Service parts Warehouse stock
- Part numbers marked with "n/a" are Not Available as spare part
- De Jong Duke recommends to have service parts available on local (SW) or car stock (SE).

2403-B



<i>Drawing</i>	<i>Pos</i>	<i>S</i>	<i>Part Nr</i>	<i>Qty</i>	<i>Spare Part Description</i>
					SETS
2403-B			9HFR001	1	Table Base Nio 9CKA with extended waste bucket <i>with items 1, 2, 3, 4, 5, 7, 8</i>
2403-B			9HFR003	1	Table Base Nio 9CKA FM with extended waste bucket <i>with items 1, 2, 3, 4, 5, 6, 7, 8</i>
					PARTS
2403-B	01		9AOV019	1	Waste bucket extended
2403-B	02		5MPL242	1	Positioning profile Nio
2403-B	03		4BBV008	3	Bolt M4x10 Torx
2403-B	04		5MBH413	1	Table Base frame Nio
2403-B	05		5BAF004	4/8	Frame feet 45x100
2403-B	06		5MBH437	1	Table Base FM Nio
2403-B	07		5MPL231	1	Gutter profile
2403-B	08		4BSC022	1	Cutting screw 3.5x9.5

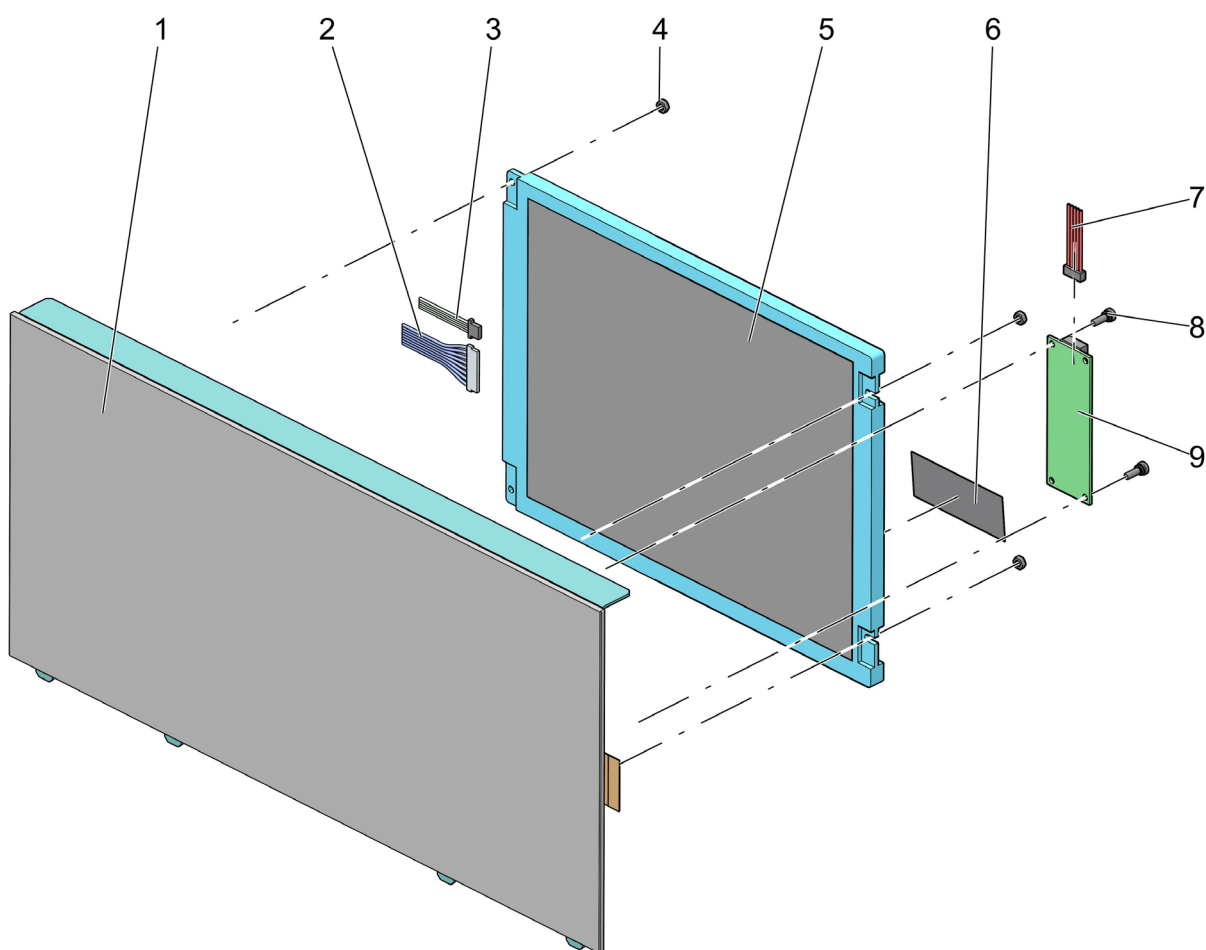
- Part numbers marked with "SE" are Service parts Engineer stock
- Part numbers marked with "SW" are Service parts Warehouse stock
- Part numbers marked with "n/a" are Not Available as spare part
- De Jong Duke recommends to have service parts available on local (SW) or car (SE) stock.



IMPORTANT

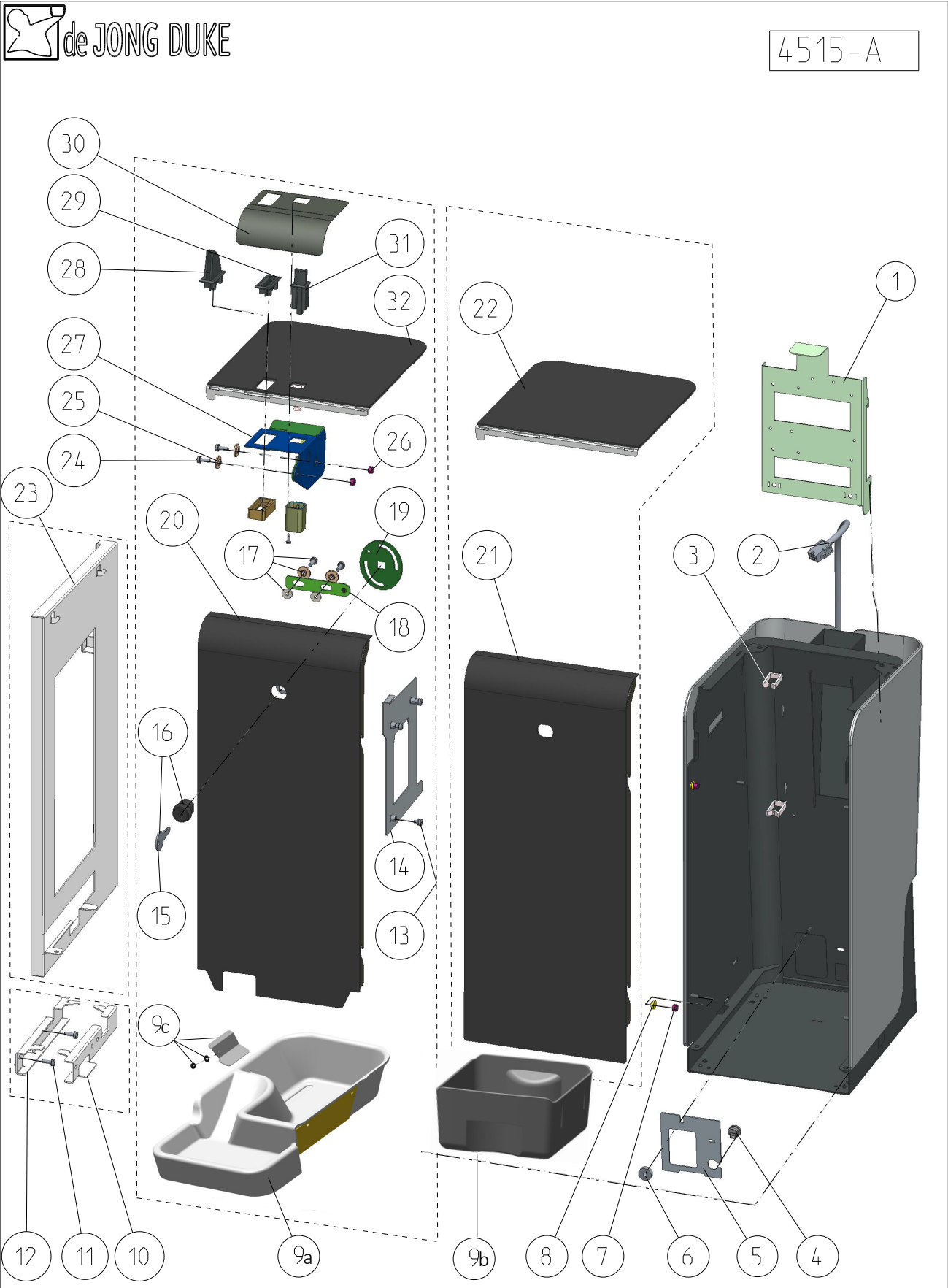
To prevent Electrostatic discharge (ESD), always use an ESD wrist strap. Make sure to connect it to the door ground cable of the coffee machine before handling the boards.


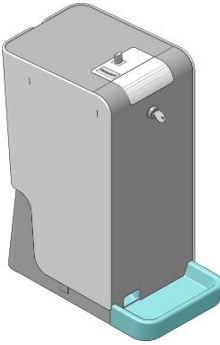
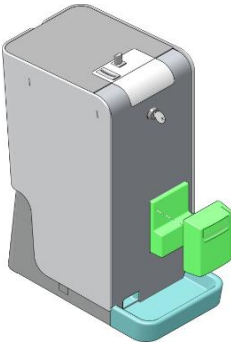
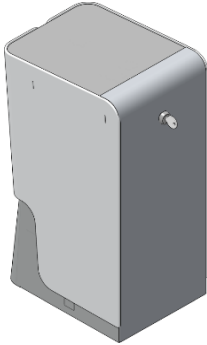
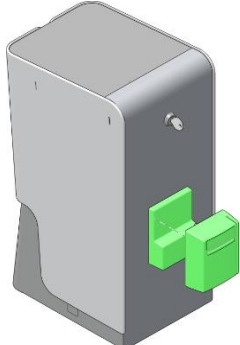
4015-B



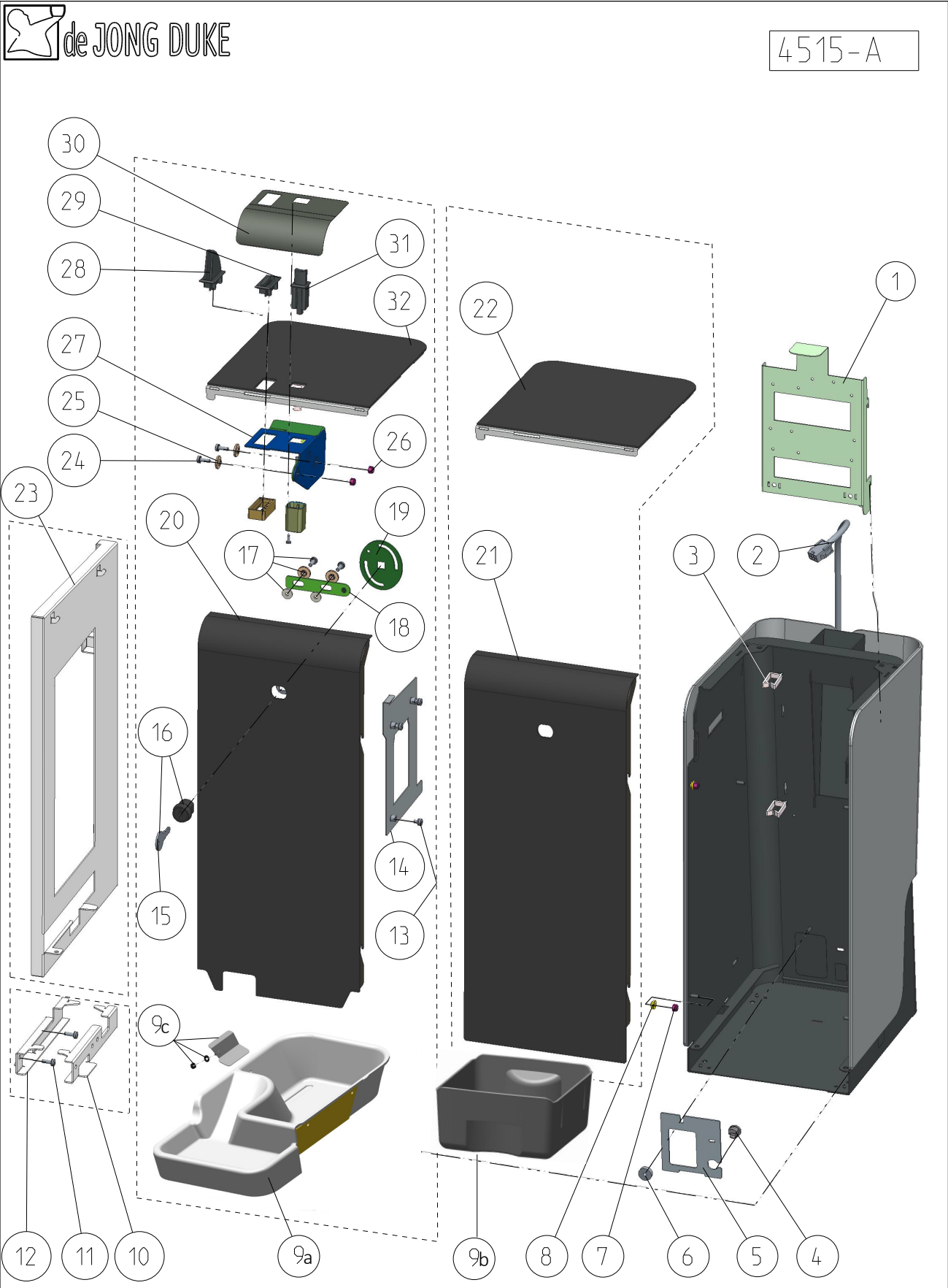
Drawing	Pos	S	Part Nr	Qty	Spare Part Description
4015-B	01		6CSS057-000	1	Front panel including Touchscreen and Mounting plate
4015-B	02	SW	6CKB485	1	LVDS display cable
4015-B	03	SW	6CKB488	1	Backlight cable
4015-B	04		4BMZ002	4	Nut M3
4015-B	05	SW	4EPR025	1	10.4 inch display
4015-B	06		4BTP003	1	Adhesive foam 10x15 L=12cm <i>To be placed on the back of the display. Location: middle, bottom.</i>
4015-B	07		6CKB489	1	PCT controller cable
4015-B	08		4BBK040	2	Bolt with lock washer M3x10
4015-B	09	SW	4EPR024	1	PCT controller board <i>for touchscreen</i>

- Part numbers marked with "SE" are Service parts Engineer stock
- Part numbers marked with "SW" are Service parts Warehouse stock
- Part numbers marked with "n/a" are Not Available as spare part
- De Jong Duke recommends to have service parts available on local (SW) or car stock (SE).



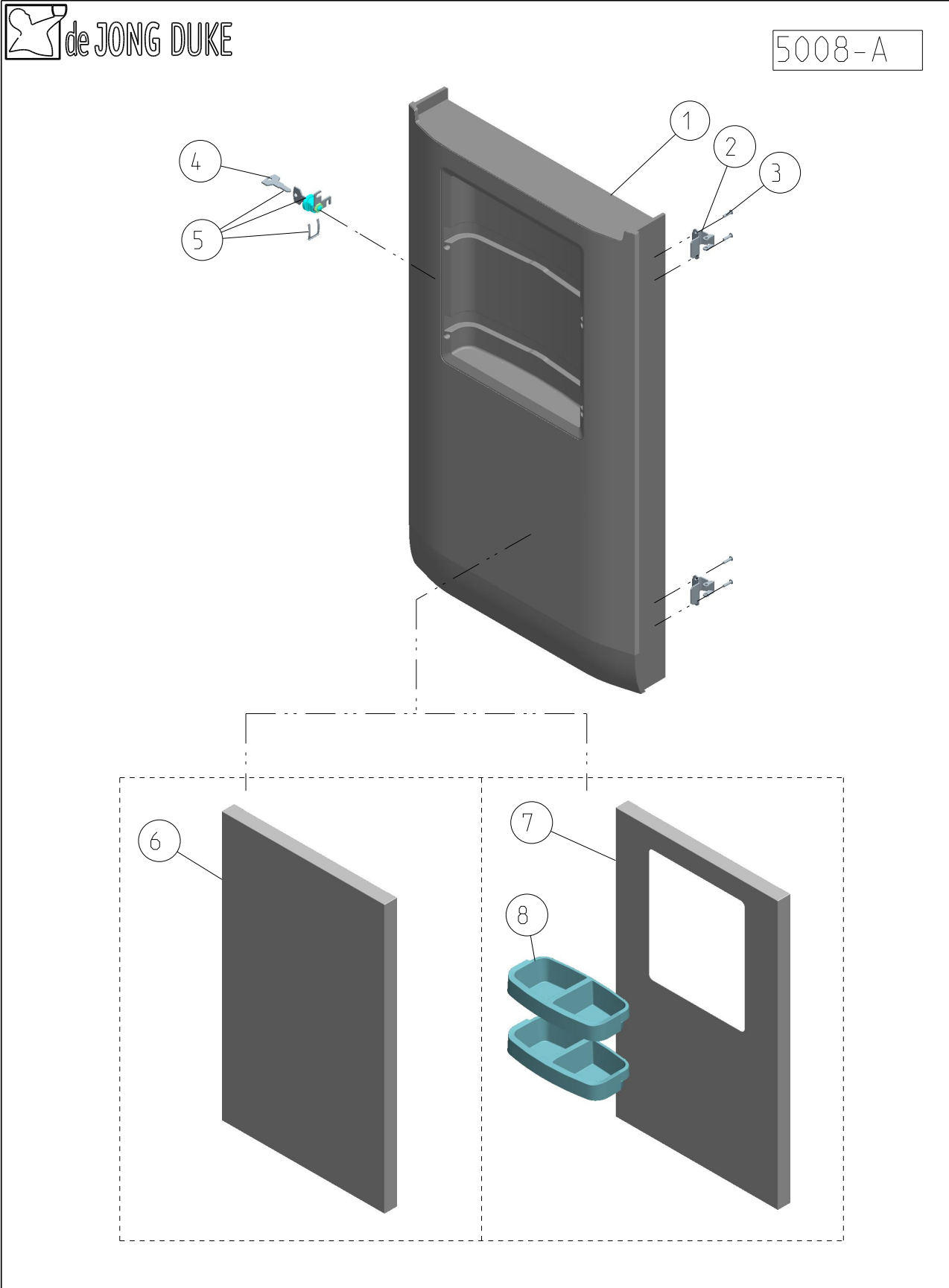
				
Prepared for Coin Acceptor (9MDG013)	Prepared for Change giver (4EMU009)	Prepared for Change giver + Card reader / Bill acceptor	Blank	Prepared for Card reader / Bill acceptor
Part number for complete housing for Nio models: <i>with connection bracket item 10, 11 and 12 but without the payment option itself (highlighted in green)</i>				
9MKA013	9MKA007	9MKA009	9MKA011	9MKA015
Part number for replacement Front panel pre-assembled: <i>Complete with items 16, 17, 18, 19 and 20 or 21 but without the payment option itself (highlighted in green)</i>				
9MDG049	9MDG050	9MDG051	9MDG052	9MDG053

Drawing	Pos	S	Part Nr	Qty	Spare Part Description
			9MDG013		Coin acceptor EURO G13 including front plate wide (See drawing 4509 for more details)
			4EMU009		Change giver G46 EURO
4515-A	01		5MMS203	1	Mounting bracket
4515-A	02		6CKB509	1	MDB Adapter cable 1.6 m (ICEQ2 only)
4515-A	03		4BKM031	2	Cable clamp with plug
4515-A	04		4KDT009	1	Cable relief
4515-A	05		5MMS214	1	Back plate connections
4515-A	06		4BMV007	1	Thumb nut M4
4515-A	07		4BMZ011	4	Locking nut M4
4515-A	08		5MLG001	4	Bearing Ø6,9 x Ø10 x 2
4515-A	9a		6MOV048	1	Money tray for change giver (G46) <i>contains money tray (5KMS017) tray support (5MMS200) and item 9C</i>
4515-A	9b	SW	5KAF090	1	Money tray for coin acceptor (G13)
4515-A	9c		9MDG058	1	Money tray (Change giver) upgrade kit <i>with coin deflection lip (5TMP099), washer M4 (4BPR003) and nut (4BMZ003)</i>
4515-A	10		5MMS197 -RAL9005	1	Connection piece Nio (Left)



Drawing	Pos	S	Part Nr	Qty	Spare Part Description
4515-A	11	SE	4BBK032	4	Bolt M4x12 with ring
4515-A	12		5MMS196 -RAL9005	1	Connection piece Nio (Right)
4515-A	13		4BBK039	3	Bolt M4x6 with lock washer (Torx)
4515-A	14		5MMS204	1	Bracket for change giver
4515-A	15		4MHS047	1	Key for lock 4MHS044
4515-A	16		4MHS044	1	Lock with keys
4515-A	17		9HDR090	4	Sliding lock fasteners set
4515-A	18		5MHS057	2	Sliding lock plate
4515-A	19		5MHS056	1	Lock cam
4515-A	20		9MDG050	1	Front cover prepared for Change giver <i>with items 16, 17, 18, 19</i>
4515-A	20		9MDG051	1	Front cover prepared for Change giver and bill acceptor <i>with items 16, 17, 18, 19</i>
4515-A	21		9MDG049	1	Front cover prepared for Coin acceptor <i>with items 16, 17, 18, 19</i>
4515-A	21		9MDG052	1	Front cover - Blank / not prepared <i>with items 16, 17, 18, 19</i>
4515-A	21		9MDG053	1	Front cover prepared for Card reader / Bill accep- tor <i>with items 16, 17, 18, 19</i>
4515-A	22		6MKA010	1	Lid
4515-A	23		5MMS205- RAL9005	1	Connection bracket
4515-A	24	SE	4BBK032	2	Bolt M4x12 with ring
4515-A	25		5MLG002	2	Bearing Ø6,9 x Ø15 x 1,7
4515-A	26		4BMZ011	2	Locking nut M4
4515-A	27		n/a	1	Return mechanism assembly
4515-A	28		5KMS018	1	Alternative upright coin slot
4515-A	29		n/a	1	Coin slot
4515-A	30		5TAB101	1	Sticker for unit with change giver
4515-A	31		6MDG038	1	Return button assembly
4515-A	32		n/a	1	Lid for unit with change giver

- Part numbers marked with "SE" are Service parts Engineer stock
- Part numbers marked with "SW" are Service parts Warehouse stock
- Part numbers marked with "n/a" are Not Available as spare part
- De Jong Duke recommends to have service parts directly available on local or car stock.



Drawing	Pos	S	Part Nr	Qty	Spare Part Description
5008-A	01		5KDR051 -11194	1	Base Cabinet Door Medium <i>for Nio</i>
5008-A	02		5MHS012	2	Door hinge
5008-A	03		4BSC037	4	Door hinge screw
5008-A	04		4MHS042	1	Door key for lock 9HDR078
5008-A	05	SW	9HDR078	1	Door lock assembly
5008-A	06		5MDR470 -RAL9005	1	Door front Nio
5008-A	07		5MDR478 -RAL9005	1	Door front Nio with opening
5008-A	08	SW	5KDR052	2	Ingredient tray
HISTORY					
5008-A	04		4MHS027	1	Door key for lock 4MHS026 <i>Replaced by 4MHS042 from S/N 2016.05.xxxx.xxx</i>
5008-A	05	SW	4MHS026	1	Door lock assembly <i>Replaced by 9HDR078 from S/N 2016.05.xxxx.xxx</i>

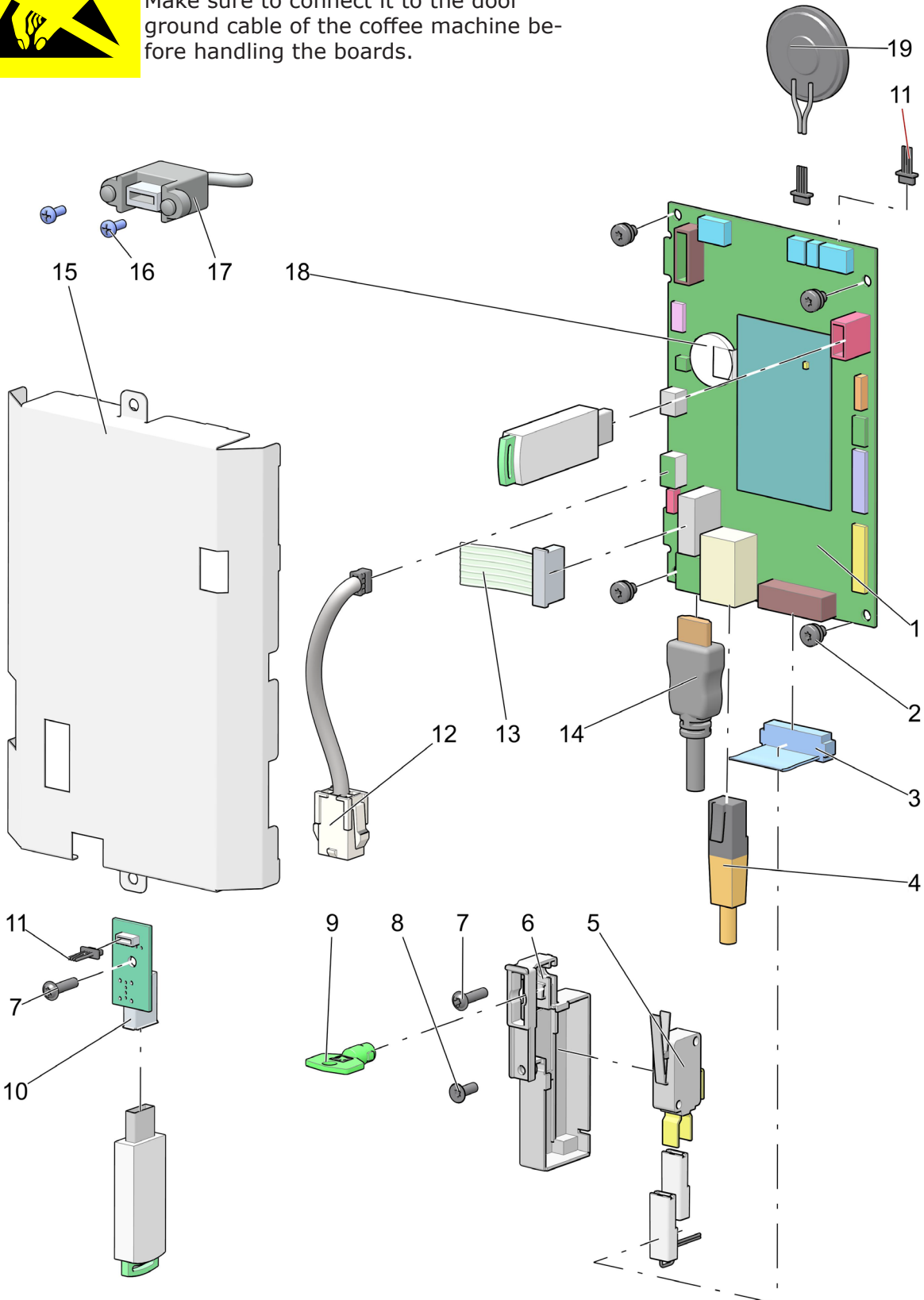
- Part numbers marked with "SE" are Service parts Engineer stock
- Part numbers marked with "SW" are Service parts Warehouse stock
- Part numbers marked with "n/a" are Not Available as spare part
- De Jong Duke recommends to have service parts directly available on local or car stock.



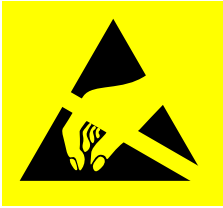
IMPORTANT

To prevent Electrostatic discharge (ESD), always use an ESD wrist strap. Make sure to connect it to the door ground cable of the coffee machine before handling the boards.

5515-B



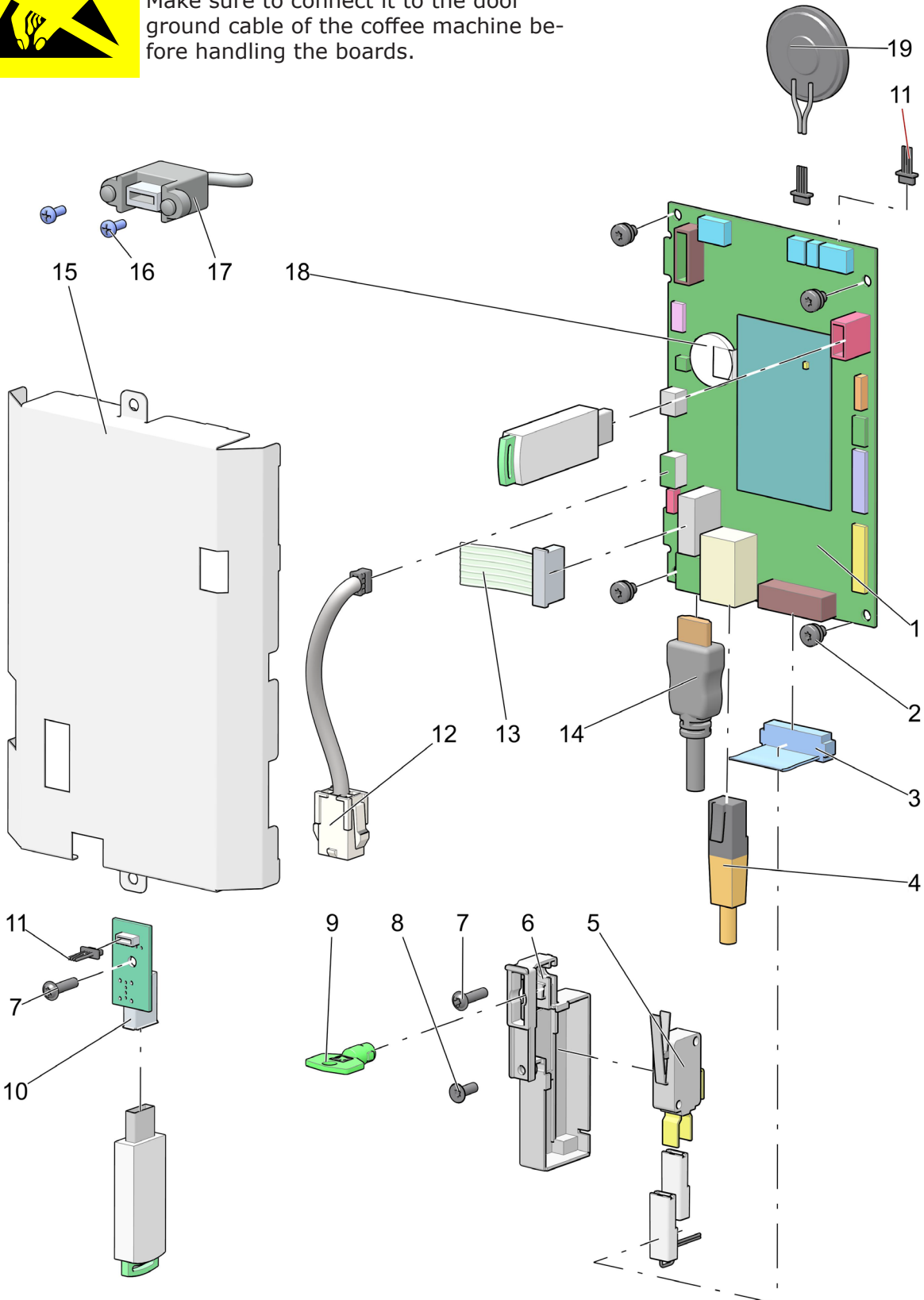
Drawing	Pos	S	Part Nr	Qty	Spare Part Description
5515-B	01	SW	9EPR016	1	MoVeC ICEQ2 controller board, Nio <i>Standard</i>
5515-B	01	SW	9EPR022	1	MoVeC ICEQ2 controller board, Nio <i>Customer specific</i>
5515-B	01	SW	9EPR012	1	MoVeC ICEQ2 controller board, V'eco <i>(800x600) Standard</i>
5515-B	01	SW	9EPR020	1	MoVeC ICEQ2 controller board, Varea <i>(800x600) Standard</i>
5515-B	01	SW	9EPR012	1	MoVeC ICEQ2 controller board, Virtu <i>(800x600) Standard</i>
5515-B	01		9EPR019	1	MoVeC ICEQ2 controller board, Virtu <i>(800x600) Customer specific</i>
5515-B	01		9EPR020	1	MoVeC ICEQ2 controller board, Virtu <i>(800x600) Customer specific</i>
5515-B	01	SW	9EPR010	1	MoVeC ICEQ2 controller board, Virtu <i>(640x480) Customer specific for 6CDP009 display</i>
5515-B	01	SW	9EPR011	1	MoVeC ICEQ2 controller board, Virtu <i>(640x480) Customer specific for 6CDP011 display</i>
5515-B	01	SW	9EPR018	1	MoVeC ICEQ2 controller board, Virtu <i>(640x480) Standard</i>
5515-B	01	SW	9EPR015	1	MoVeC ICEQ2 controller board Zia <i>(800x600) Standard</i>
5515-B	01	SW	9EPR017	1	MoVeC ICEQ2 controller board Zia <i>(800x600) Customer specific</i>
5515-B	01	SW	9EPR014	1	MoVeC ICEQ2 controller board, Zia <i>(640x480)</i>
5515-B	01	SW	9EPR013	1	MoVeC ICEQ2 controller board, Siro Touch
5515-B	01	SW	9EPR021	1	MoVeC ICEQ2 controller board, Edge
5515-B	01	SW	9EPR023	1	MoVeC ICEQ2 controller board, Blu
5515-B	02		4BBK039	4	Bolt with lock washer M4x6
5515-B	03	SW	6CKB490	1	Wire harness for sensors <i>Nio</i>
5515-B	03	SW	6CKB423	1	Wire harness for sensors <i>Virtu/V'eco/Varea Small</i>
5515-B	03	SW	6CKB432	1	Wire harness for sensors <i>Virtu/V'eco/Varea Medium</i>
5515-B	03		6CKB477	1	Wire harness for sensors <i>Siro Touch Small</i>
5515-B	03		6CKB478	1	Wire harness for sensors <i>Siro Touch Medium</i>
5515-B	03	SW	6CKB481	1	Wire harness for sensors <i>Zia Small</i>
5515-B	03	SW	6CKB517	1	Wire harness for sensors <i>Zia Medium</i>
5515-B	03	SW	6CKB524	1	Wire harness for sensors <i>Edge Small</i>
5515-B	03	SW	6CKB555	1	Wire harness for sensors <i>Blu Small</i>



IMPORTANT

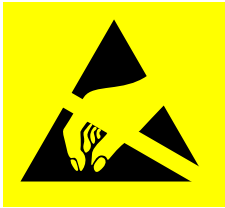
To prevent Electrostatic discharge (ESD), always use an ESD wrist strap. Make sure to connect it to the door ground cable of the coffee machine before handling the boards.

5515-B



Drawing	Pos	S	Part Nr	Qty	Spare Part Description
5515-B	04	SW	6CKB543	1	Ethernet cable L=30cm
5515-B	04	SW	6CKB498	1	Ethernet cable L=50cm
5515-B	04	SW	6CKB516	1	Ethernet cable L=100cm
5515-B	04	SW	6CKB528	1	Ethernet cable L=150cm
5515-B	05	SW	4ESK048	1	Door micro switch ICEQ
5515-B	06		5KDS038	1	Door micro switch ICEQ mounting
5515-B	07		4BSC036	1	Screw torx 3.5x13.5
5515-B	08		4BSC052	1	Screw 3,5x10 Tx15
5515-B	09	SE	5KDS036	1	Service key
5515-B	10		5EPR143	1	USB print <i>Nio only</i>
5515-B	11		6CKB501	1	USB extension cable <i>Nio only</i>
5515-B	12		6CKB508	1	MDB adapter cable ICEQ2 0,1m
5515-B	12		6CKB509	1	MDB adapter cable ICEQ2 1,6m
5515-B	13	SW	6CKB426	1	Flat cable IOB-MoVeC ICEQ <i>for all models except Nio, XNA and XEA models</i>
5515-B	14	SW	6CKB497	1	HDMI cable IOB-MoVeC ICEQ <i>for Nio, XNA and XEA models</i>
5515-B	15		5MCB045	1	Controller Board cover <i>Zia medium and Nio only</i>
5515-B	16		4BBK028	2	Bolt M3x8
5515-B	17		6CKB429	1	USB extension cable <i>for Virtu/V'eco/Varea/Zia models</i>
5515-B	18		4ETR011		Battery for PCB assembly 3V
5515-B	19		4ELP001	1	Speaker other models
5515-B	19		4ELP002		Speaker Blu

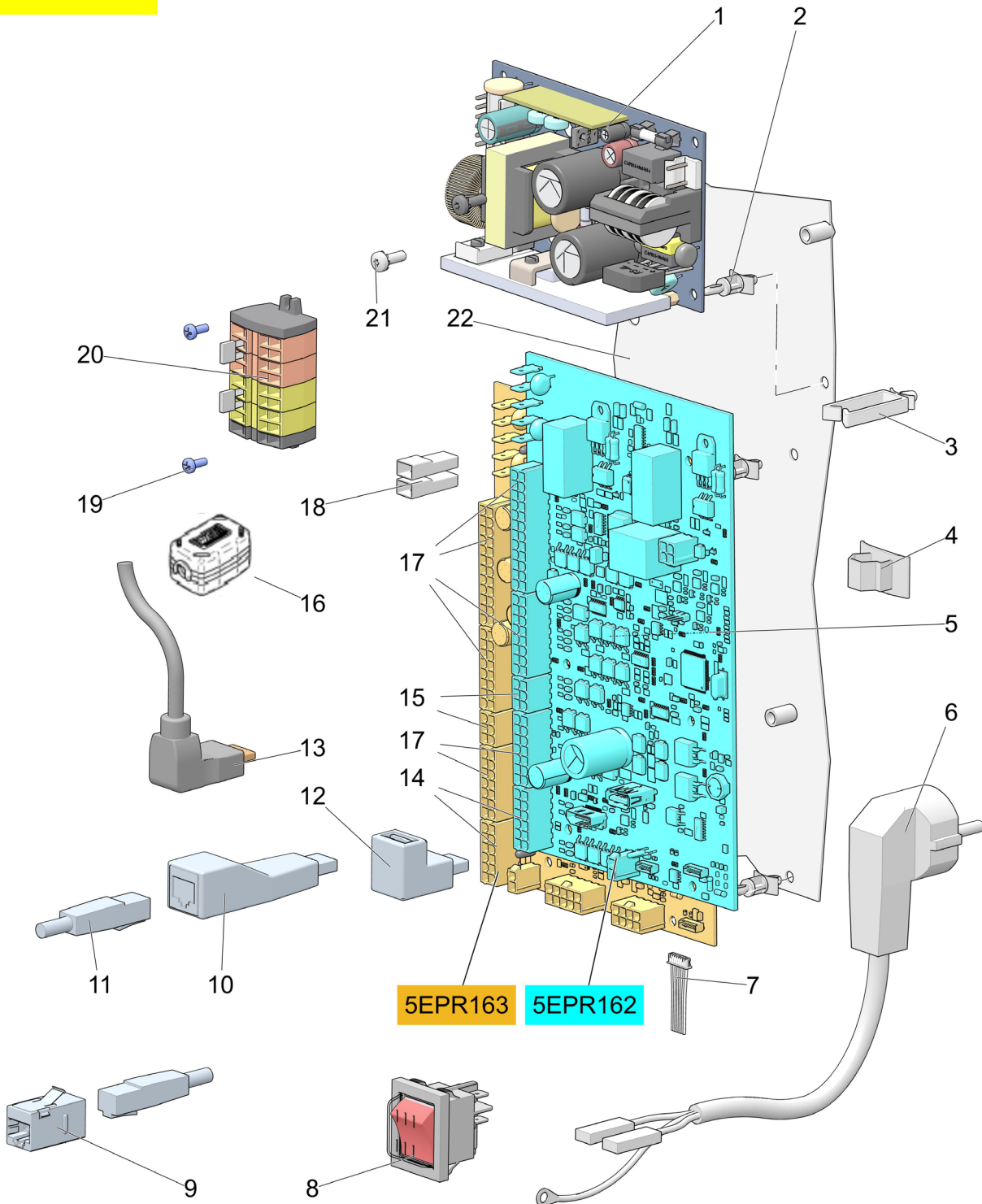
- Part numbers marked with "SE" are Service parts Engineer stock
- Part numbers marked with "SW" are Service parts Warehouse stock
- Part numbers marked with "n/a" are Not Available as spare part
- De Jong Duke recommends to have service parts available locally (SW) or as car stock (SE).



IMPORTANT

To prevent Electrostatic discharge (ESD), always use an ESD wrist strap. Make sure to connect it to the door ground cable of the coffee machine before handling the boards.

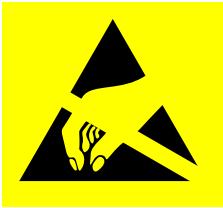
5516-C



<i>Drawing</i>	<i>Pos</i>	<i>S</i>	<i>Part Nr</i>	<i>Qty</i>	<i>Spare Part Description</i>
5516-C	01	SW	5EPR076	1	Power supply 230v 120w
5516-C	01		5EPR077	1	Power supply 120v 120w <i>USA only</i>
5516-C	02		4BAF015	7	PCB spacer
5516-C	03		4BKM061	3	Cable clip rectangle + plug PAnat
5516-C	04		4BKM010	1	Cable clamp d=10 grey
5516-C	05		5EPR163	1	IOB 34 Outlet CoEx (XL) <i>Used in production from S/N: 2024.01.xxxx.xxx</i> IMPORTANT: If this board replaces a 5EPR162 board and the network connection is used, use the network connection on the ICEQ2 board. A 1.5m network cable (pos11 - 6CKB528) is needed. For more details, check bulletin: IB-20240801 Nio CKA 5EPR162 IO board replaced by 5EPR163
5516-C	06		6CKB494	1	Power cord EU
5516-C	06		6CKB510	1	Power cord UK
5516-C	06		6CKB558	1	Power cord ZA 230V
5516-C	06		6CKB532	1	Power cord AU 230V
5516-C	06		6CKB137	1	Power cord USA
5516-C	07	SW	6CKB496	1	Wire harness canister LED and interlock
5516-C	08	SW	4ESK020	1	Power switch
5516-C	09		4EMK022	1	RJ45 interconnection panel mount
5516-C	10	SW	4EIF002	1	USB to Ethernet converter <i>Only for use with 5EPR162</i>
5516-C	11		6CKB528	1	Ethernet cable 1.5m <i>Moved to ICEQ2 board, check pos 05</i>
5516-C	12		4EMK023	1	USB 90 degrees adaptor <i>Only for use with 5EPR162</i>
5516-C	13	SW	6CKB497	1	HDMI cable
5516-C	14		6CKB495	1	Cable fresh milk
5516-C	15		6CKB451	1	Cable for chilled water unit without CO ₂
5516-C	15		6CKB452	1	Cable for chilled water unit with CO ₂
5516-C	16		4ETR013	1	Split core ferrite interference filter
5516-C	17		6CKB491	1	24v wire harness
5516-C	17		6CKB515	1	Cable bypass water valve Nio XG
5516-C	18		6CKB493	1	230v wire harness
5516-C	19		4BBK028	1	Bolt M3x8
5516-C	20		6CCT004	1	Terminal block
5516-C	21	SE	4BBK032	2	Bolt M4x12
5516-C	22		5MPL254	1	Electronics box Nio
					HISTORY
5516-C	05		5EPR162	1	IOB 34 Outlet CoEx <i>replaced by 5EPR163 from 2024.01.xxxx.001</i>

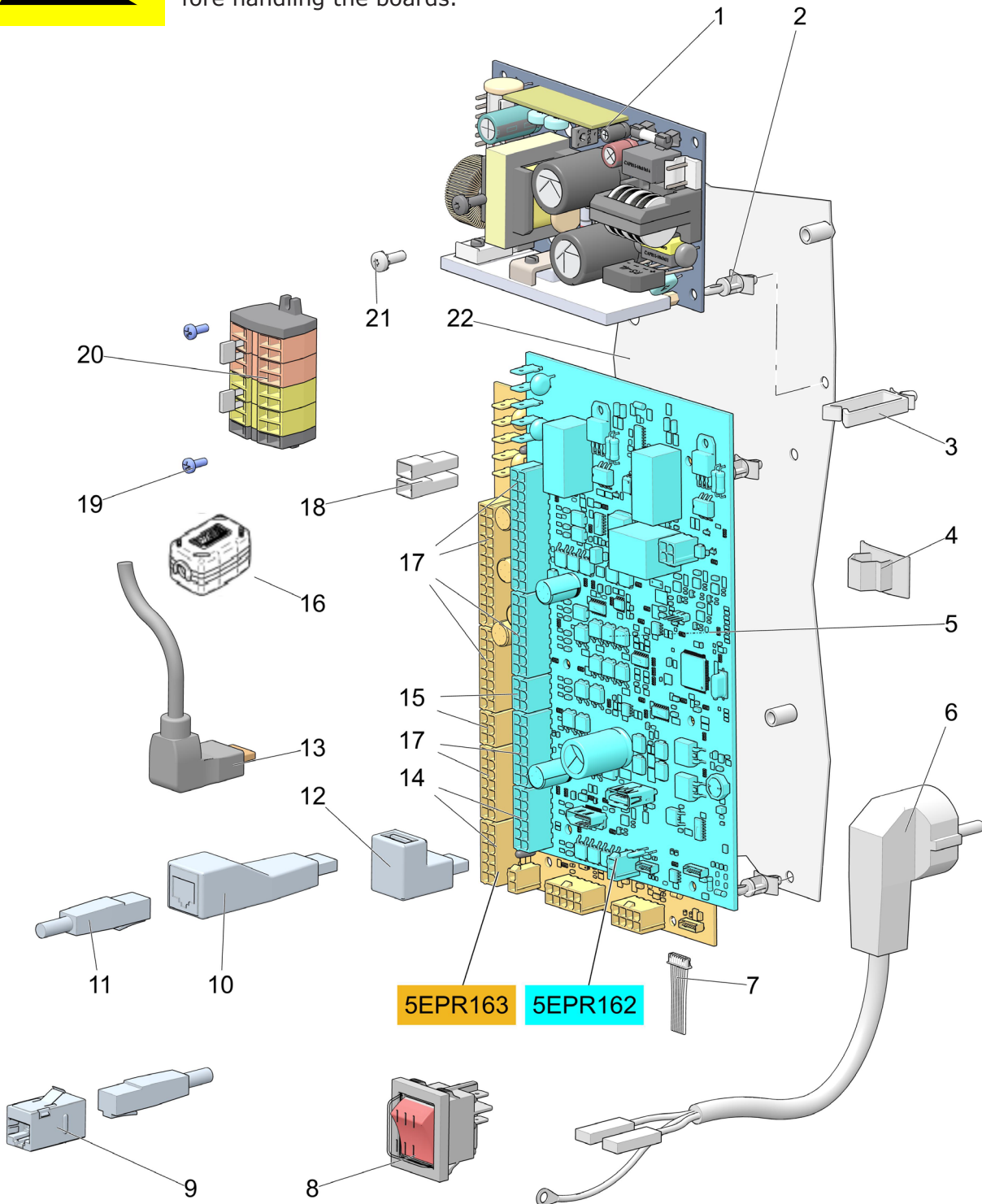
- Part numbers marked with "SE" are Service parts Engineer stock
- Part numbers marked with "SW" are Service parts Warehouse stock
- Part numbers marked with "n/a" are Not Available as spare part
- De Jong Duke recommends to have service parts directly available on local or car stock.

5516-C



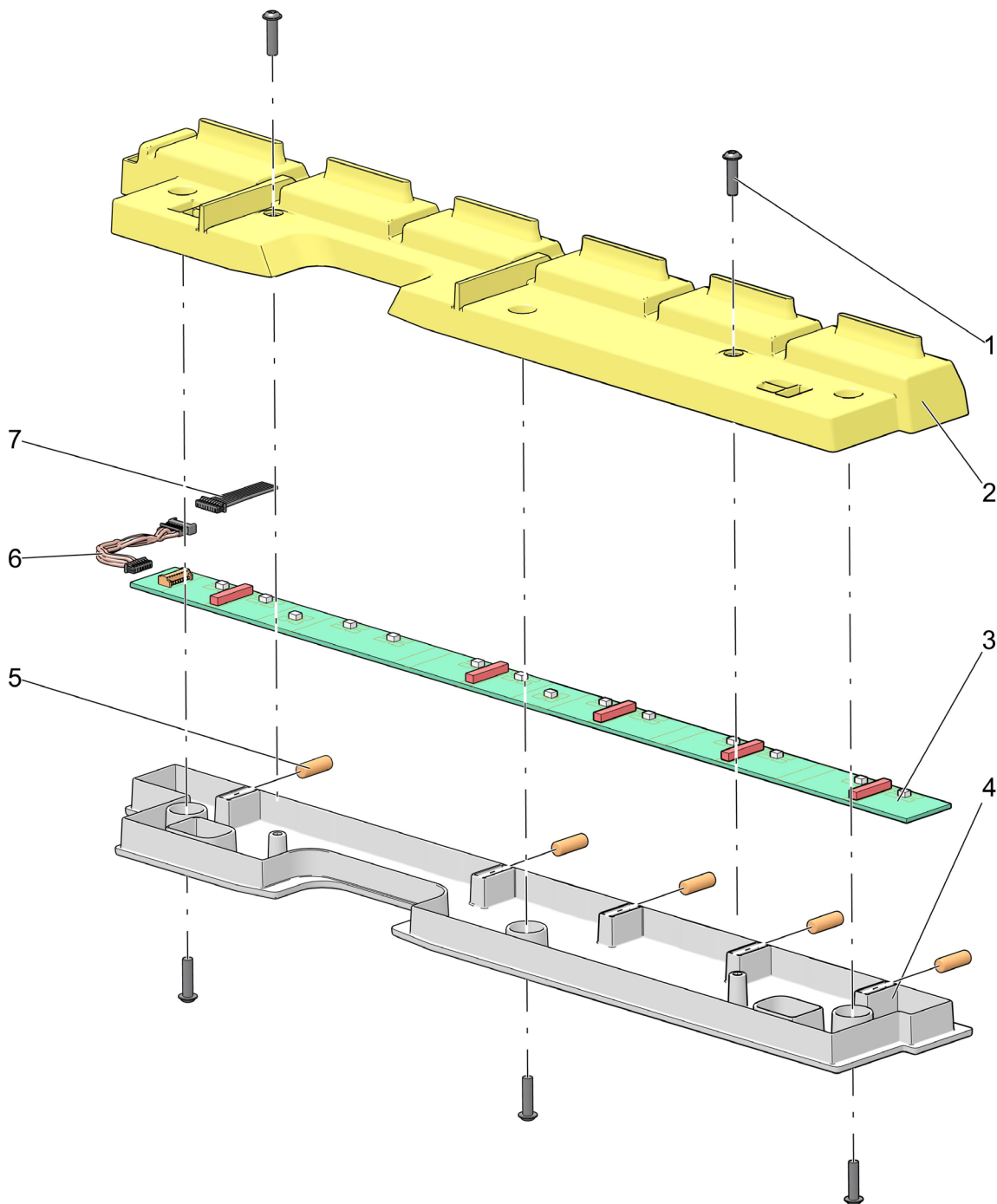
IMPORTANT

To prevent Electrostatic discharge (ESD), always use an ESD wrist strap. Make sure to connect it to the door ground cable of the coffee machine before handling the boards.



Drawing	Pos	S	Part Nr	Qty	Spare Part Description
5516-C	05		5EPR149	1	IOB 29 Outlet CoEx <i>replaced by 5EPR162 from 2021.44.0607.001</i>
5516-C	11		6CKB498	1	Ethernet cable 0.5m <i>Only for use with 5EPR162</i>

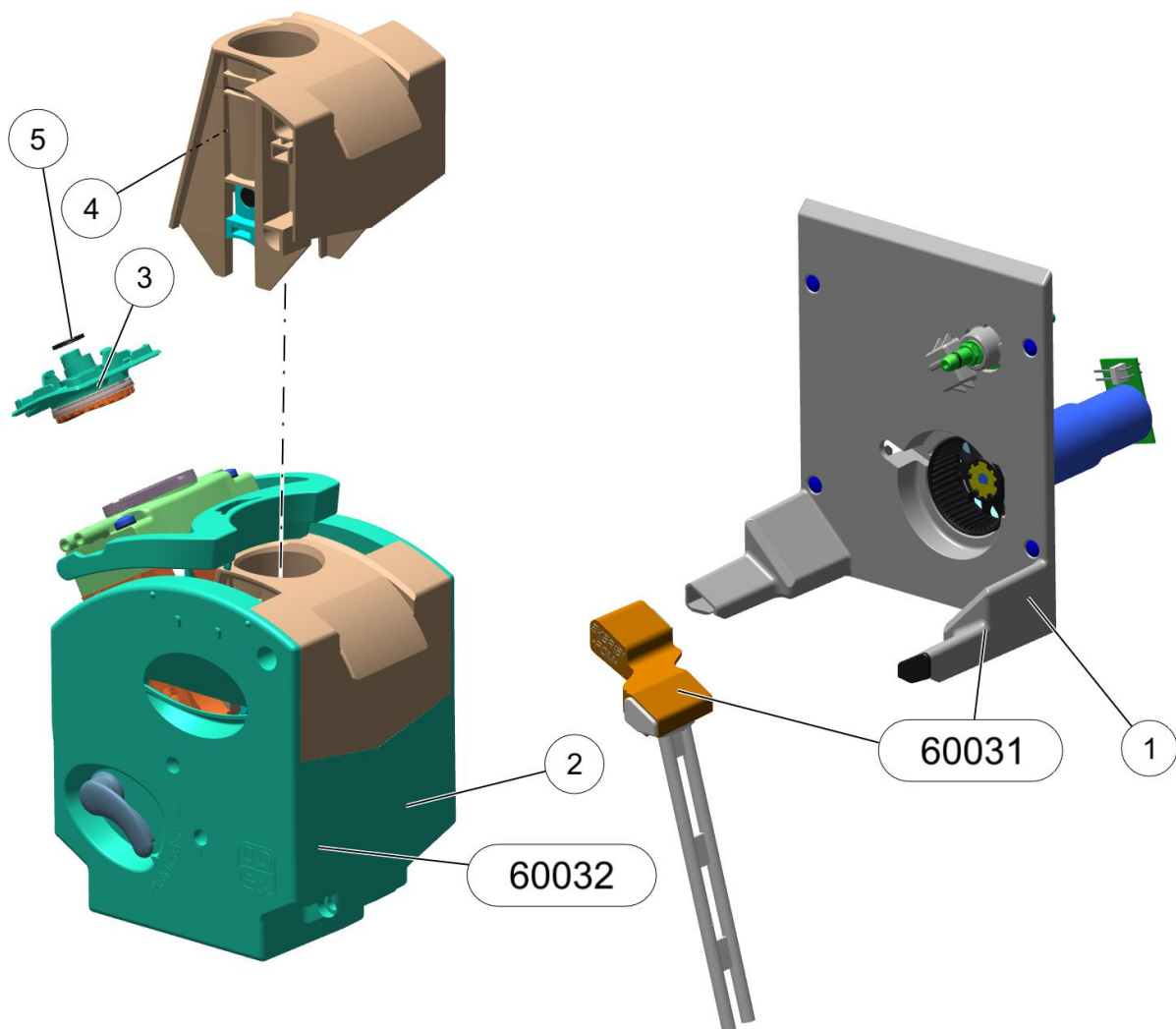
5517-B



<i>Drawing</i>	<i>Pos</i>	<i>S</i>	<i>Part Nr</i>	<i>Qty</i>	<i>Spare Part Description</i>
					PARTS
5517-B	01		4BSC036	5	Screw Torx 3.5x13.5
5517-B	02		5KAE003	1	Switch board cover Nio
5517-B	03	SW	5EPR144	1	LED PCB Nio
5517-B	04		5KAE004	1	Switch board Nio
5517-B	05		4MMG002	5	Magnet 5 height 14
5517-B	06		6CKB607	1	Wire harness extension LED PCB
5517-B	07	SW	6CKB496	1	Wire harness LED PCB

- *Part numbers marked with "SE" are Service parts Engineer stock*
- *Part numbers marked with "SW" are Service parts Warehouse stock*
- *Part numbers marked with "n/a" are Not Available as spare part*
- *De Jong Duke recommends to have service parts available on local (SW) or car stock (SE).*

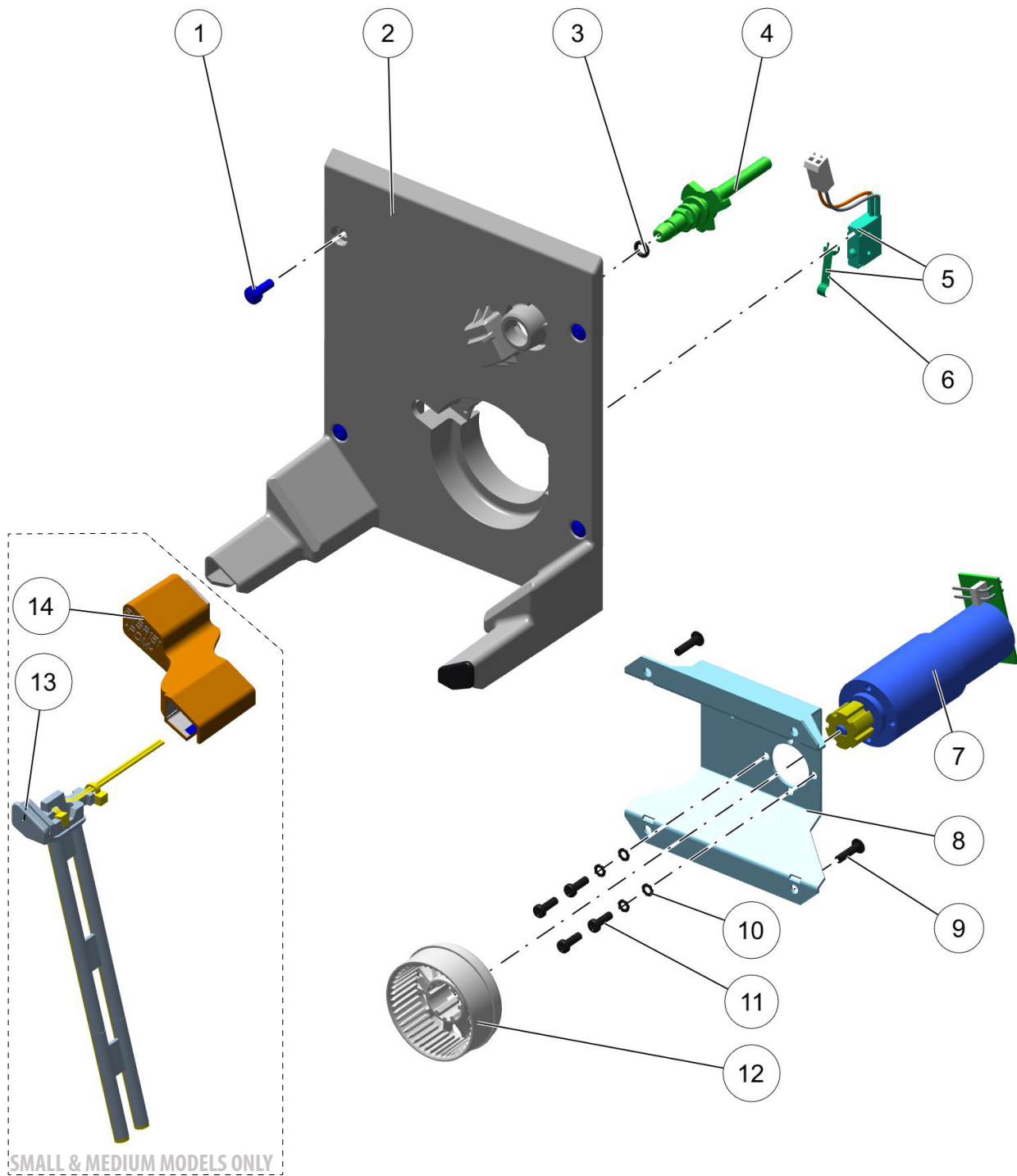
6003-D



<i>Drawing</i>	<i>Pos</i>	<i>S</i>	<i>Part Nr</i>	<i>Qty</i>	<i>Spare Part Description</i>
					REFERENCES
60031				1	Refer to drawing 60031: CoEx Brewer Motor Assembly
60032				1	Refer to drawing 60032: CoEx Brewer Assembly
					SETS
6003-D	01	SW	6ZBR054	1	Mountingframe CoEx Motor Assembly
6003-D	01	SW	9ZBR062	1	Mountingframe CoEx Brewer assembly (Nio only) with assembly 6ZBR054 and interference filter
6003-D	02	SW	9ZBR044	1	CoEx brewer assembly 9CND/9CEC- high pressure With filter head (yellow dot: 1.5mm / 0.35mm)
6003-D	02	SW	9ZBR061	1	CoEx brewer assembly - no pressure With filter head (white dot: 1.5mm / 0,5mm)
6003-D	02	SW	9ZBR052	1	CoEx brewer assembly 9CND/9CEC/Nio Without filter head
					PARTS
6003-D	03	SE	6ZBR057	1	CoEx brewer filterhead high pressure (yellow dot: 1.5mm / 0.35mm)
6003-D	03	SE	6ZBR091	1	CoEx brewer filterhead no pressure (white dot: 1.5mm / 0,5mm)
6003-D	04	SW	6ZBR051	1	Cilinder/piston assembly CoEx see also drawing 60032
6003-D	05	SE	4ROR014	1	Quadring for filterhead CoEx-brewer (RED)

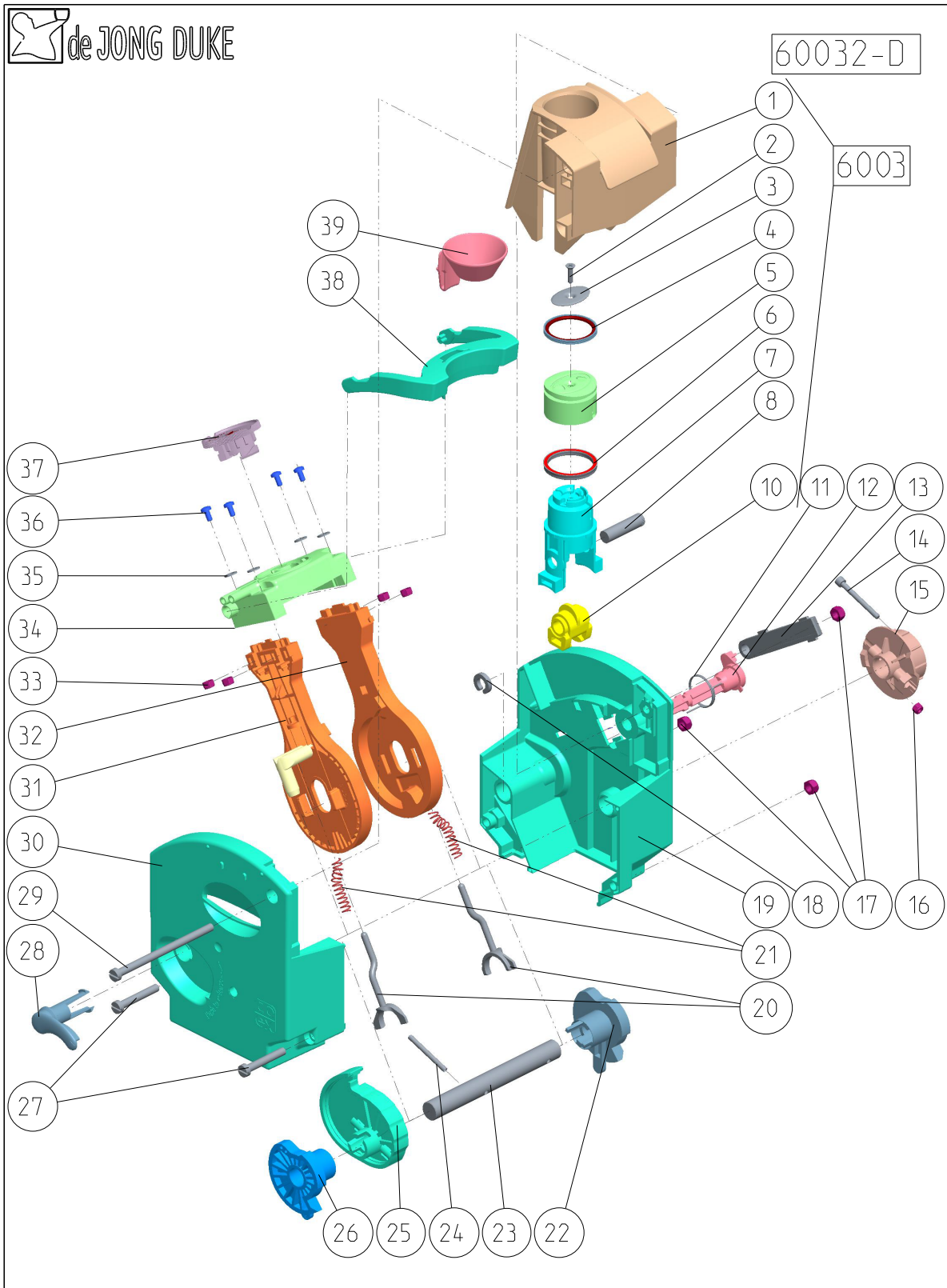
- Part numbers marked with "SE" are Service parts Engineer stock
- Part numbers marked with "SW" are Service parts Warehouse stock
- Part numbers marked with "n/a" are Not Available as spare part
- De Jong Duke recommends to have service parts available locally (SW) or as car stock (SE).

60031-F

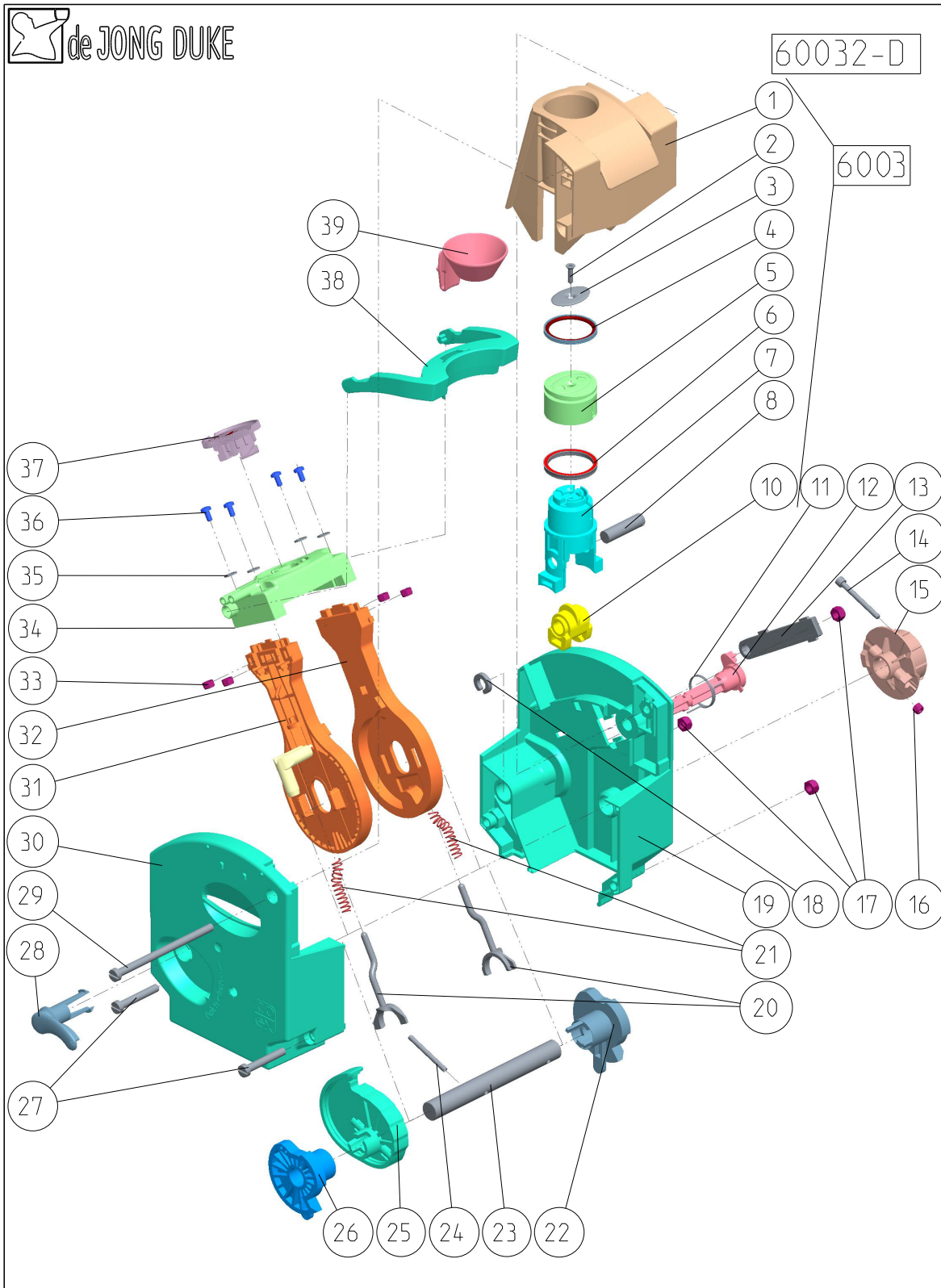


Drawing	Pos	S	Part Nr	Qty	Spare Part Description
					SETS
60031-F		SW	6ZBR054	1	Mountingframe CoEx Brewer motor <i>with items 2, 5, 6, 7, 8, 9, 10, 11, 12</i>
60031-F		SW	9ZBR062	1	Mountingframe CoEx Brewer motor (Nio only) <i>with Assembly 6ZBR054 and interference filter</i>
60031-F		SW	9ZBR060	1	CoEx Brewer motor with metal Bush Adaptor (bonded) and Plastic coupling (<i>item 7, 12</i>)
60031-F		SE	9VUL011	1	CoEx Water Inlet with O-ring <i>with items 3, 4</i>
					PARTS
60031-F	01		4BSC036	4	Bolt M4x12 (Essence)
60031-F	01		4BBK032	4	Bolt M4x12
60031-F	02		5KBR055	1	Bracket for CoEx
60031-F	03	SE	4ROR047	1	O-ring water inlet CoEx-brewer
60031-F	04		5KBR056	1	Water connection CoEx
60031-F	05		6CKB536	1	Cable CoEx-brewer motor with micro switch <i>Includes item 06</i>
60031-F	05		6CKB537	1	Cable CoEx-brewer motor with micro switch and polyfuse (Nio only) <i>Includes item 06</i>
60031-F	06	SE	4ESK029	1	Leveler micro switch
60031-F	07		6ZBR100	1	Brewer motor CoEx with Bush Adaptor <i>Not available separately (from S/N 2016.14.xxxx.001)</i>
60031-F	08		5MBR032	1	Motor mounting plate
60031-F	09		4BSC036	4	Screw torx 3,5x13,5
60031-F	10		4BVR006	4	Knurled ring M3
60031-F	11		4BSC047	4	Screw EJOT PT KB 3.5x10
60031-F	12		5KBR074	1	Plastic motor coupling CoEx
60031-F	13	SW	6CSS047	1	Drip tray sensor long 11cm (Small & Medium models only) <i>Use with Drip tray 5KAF090 if a waste guide is installed (see drawing 1011, 1014 and 1020)</i>
60031-F	13	SW	6CSS055	1	Drip tray sensor short 9cm (Small & Medium models only) <i>Used with Drip tray under CoEx-brewer - 5KAF118 (see draw- ing 1011, 1014 and 1020)</i>
60031-F	14		5KBR151	1	Drip tray sensor bracket (Small & Medium models only) <i>Included in production from S/N 2021.26.xxxx.001</i>
					HISTORY
60031-F	03	SE	4ROR015	1	O-ring water inlet CoEx-brewer

- Part numbers marked with "SE" are Service parts Engineer stock
- Part numbers marked with "SW" are Service parts Warehouse stock
- Part numbers marked with "n/a" are Not Available as spare part
- De Jong Duke recommends to have service parts available locally (SW) or as car stock (SE).



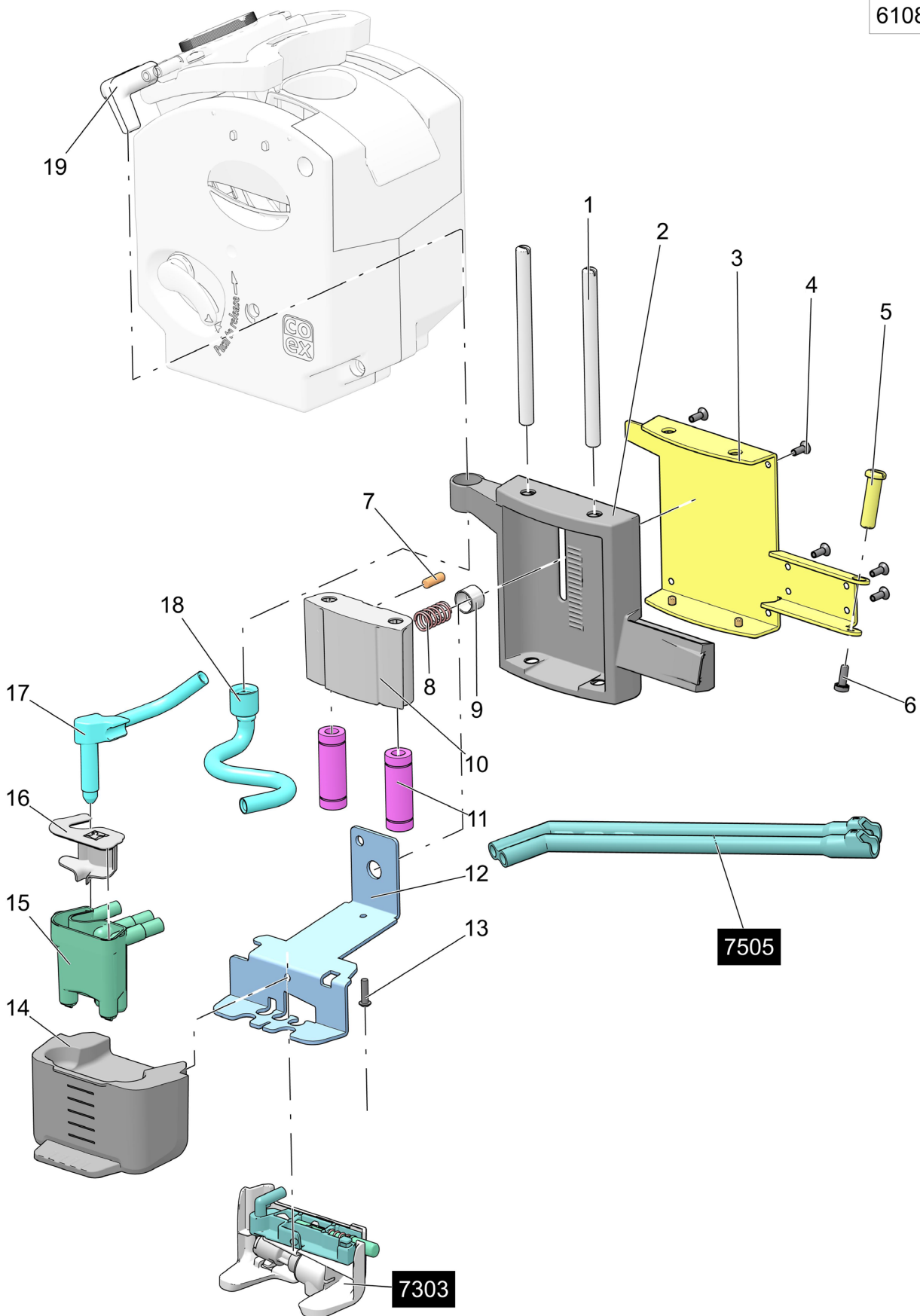
Drawing	Pos	S	Part Nr	Qty	Spare Part Description
					SETS
6003-C		SW	6ZBR051	1	Cylinder/piston assembly CoEx <i>with items 1 - 10</i>
60032-D		SW	9ZBR052	1	CoEx brewer assembly 9CND/9CEC <i>Without filter head</i>
					<i>See also drawing 6003 for more CoEx brewer assemblies with filter head</i>
					PARTS
60032-D	01		5KBR032	1	Cylinder
60032-D	02	SE	4BSC043	1	Screw 3.9x16
60032-D	03	SE	6ZBR152	1	Filter screen lower piston
60032-D	04		5KBR058	1	Scraping lower piston <i>Scraping ring outside + O-ring inside</i>
60032-D	05		5KBR067	1	Piston top
60032-D	06	SE	5KBR057	1	U-cup ring CoEx-piston (lower = coloured RED)
60032-D	07		5KBR066	1	Piston body
60032-D	08		5MBR034	1	Cam follower shaft
60032-D	09		n/a		<i>item not drawn</i>
60032-D	10		5KBR043	1	Slide block
60032-D	11		5MVR016	1	Spring
60032-D	12		5KBR040	1	Fixation cam
60032-D	13	SW	5KBR049	1	Fixation brewer
60032-D	14	SE	5BBK001	1	Bolt M4x40
60032-D	15		5KBR050	1	Brewer motor coupling
60032-D	16	SE	4BMZ037	1	Lock nut NYLR M4
60032-D	17		4BMZ042	3	Nut M6
60032-D	18		4BBG016	1	Clamp ring
60032-D	19		5KBR033	1	Frame brewer back side
60032-D	20		5KBR051	2	Spring holder
60032-D	21		4MVR010	2	Pressure Spring CoEx-brewer
60032-D	22		5KBR078	1	Curve disk behind CoEx
60032-D	23		6ZBR074	1	Main axis <i>including Fixing bus 4x40 (Stainless Steel)</i>
60032-D	24		n/a		Fixing bus 4x40 (Stainless Steel) <i>not available separately, order 6ZBR074, item 23</i>
60032-D	25		5KBR042	1	Curvecam piston
60032-D	26		5KBR079	1	Curve disk in front of CoEx
60032-D	27		4BBC048	2	Bolt M6X40
60032-D	28		5KBR041	1	Fixation knob
60032-D	29		4BBC047	1	Bolt M6x100
60032-D	30		5KBR034	1	Frame front side
60032-D	31		5KBR037	1	Swingarm front



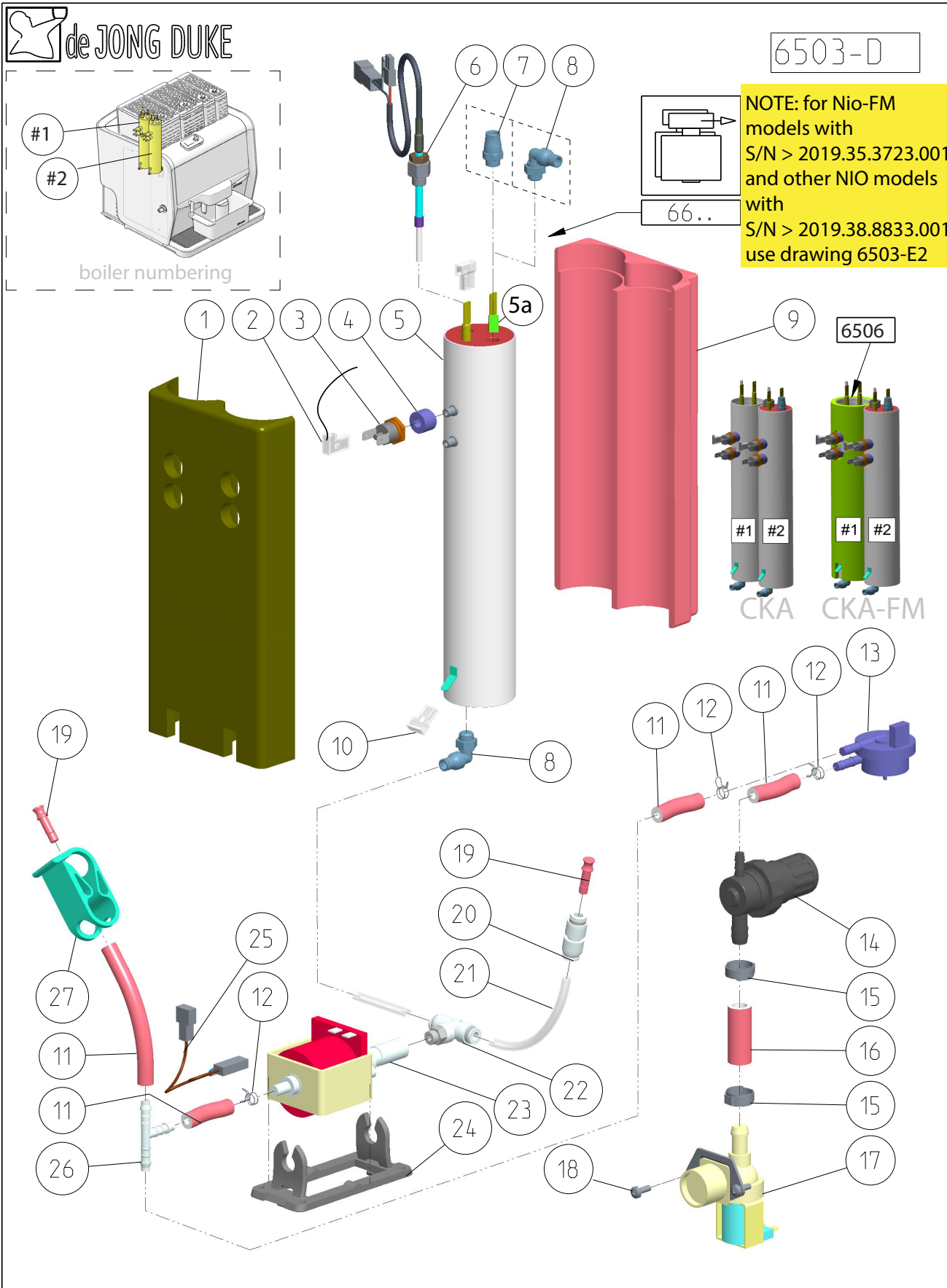
<i>Drawing</i>	<i>Pos</i>	<i>S</i>	<i>Part Nr</i>	<i>Qty</i>	<i>Spare Part Description</i>
60032-D	32		5KBR036	1	Swingarm back
60032-D	33		BR52	4	Hexagonal nut
60032-D	34		5KBR035	1	Brewer head
60032-D	35		4BPR005	4	Ring M5
60032-D	36		4BBK036	4	Bolt M5x40
60032-D	37		5KBR038	1	Knob upper piston
60032-D	38		5KBR039	1	Waste whiper
60032-D	39	SW	5KBR048	1	Funnel
					HISTORY
60032-D	03	SE	5MBR041	1	Filter screen lower piston <i>Replaced by 6ZBR152</i>
60032-D	09		4BPN015	1	Fixing bus 2x12 stainless steel <i>Not used anymore</i>

- Part numbers marked with "SE" are Service parts Engineer stock
- Part numbers marked with "SW" are Service parts Warehouse stock
- Part numbers marked with "n/a" are Not Available as spare part
- De Jong Duke recommends to have service parts available locally (SW) or as car stock (SE).

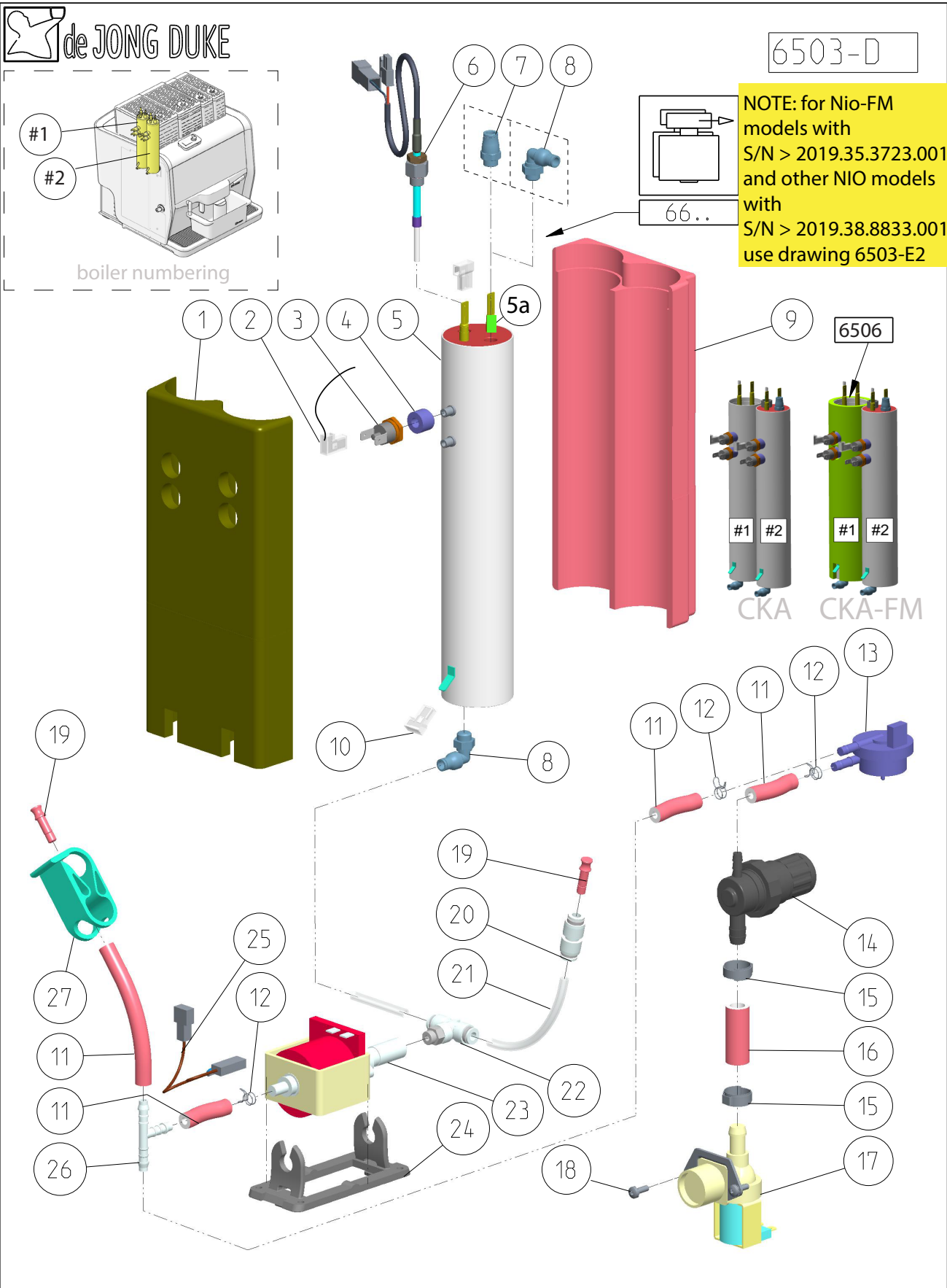
6108-B



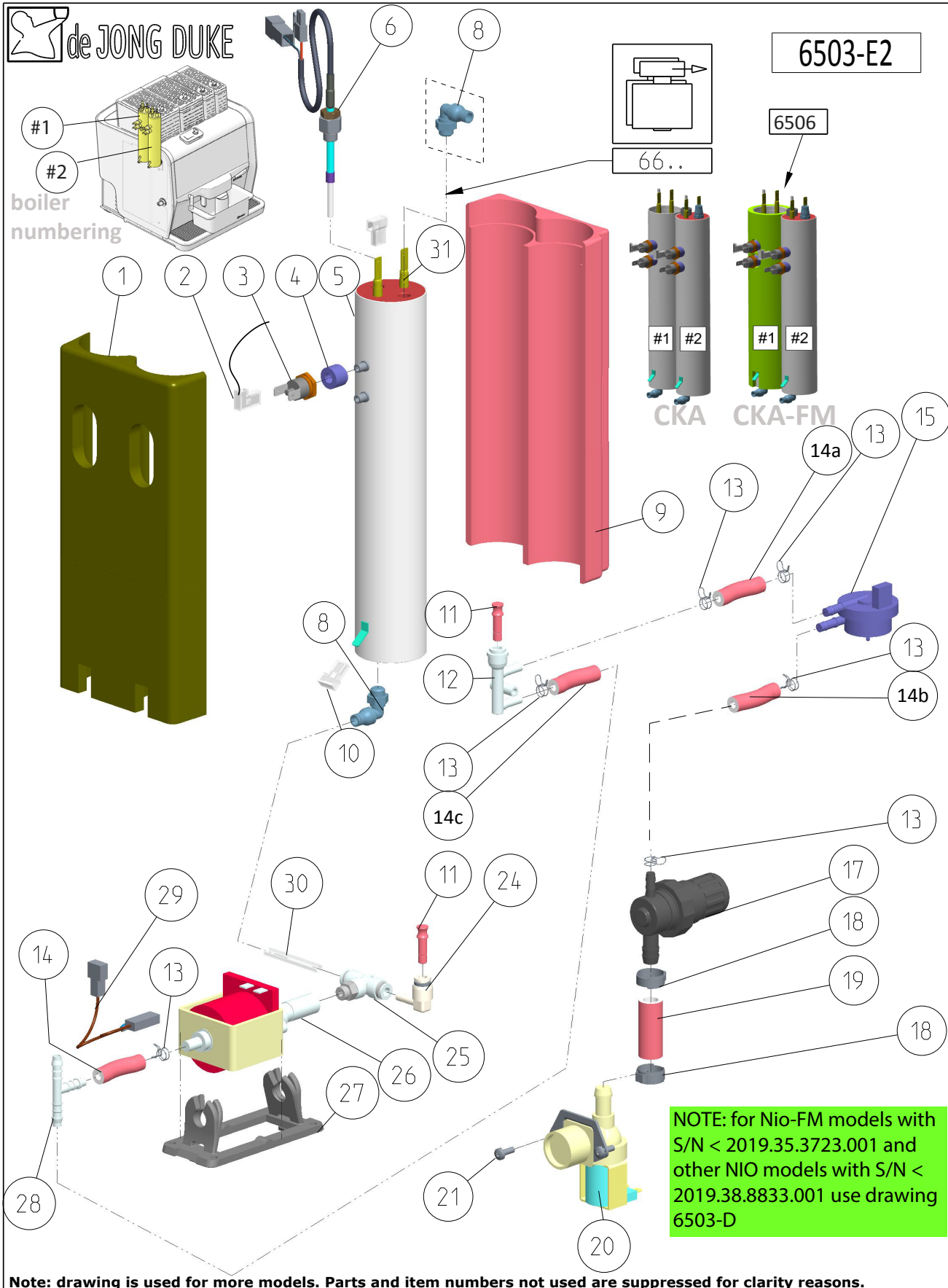
Drawing	Pos	S	Part Nr	Qty	Spare Part Description
					REFERENCES
7303					Refer to drawing 7303: Milk Pump
7505					Refer to drawing 7505: Mixer System Nio
					SETS
7505			9VUL020		Improved brewer outlet hose set with items 02 (changed), 15 (changed) and 18 (new) NOTE: check Information Bulletin IB-20240903 Nio CoEx Brewer outlet hose improved to prevent leaking for more details.
					PARTS
6108-B	01		5MHS050	2	Vertical adjustment axle
6108-B	02		5KBH032	1	Swiveling arm <i>Used in production from 2024.37.XXXX.001. Can only be used with 5RSL029 See set 9VUL020 remarks</i>
6108-B	03		5MVL196	1	Support plate for swiveling arm
6108-B	04		4BSC052	8	Screw 3.5x10 Tx15
6108-B	05		5MHS049	1	Hinge pin
6108-B	06	SE	4BBK032	1	Bolt with lock washer M4x12
6108-B	07		4MMG002	1	Vertical adjustment resistance magnet
6108-B	08		5MVR020	1	Vertical adjustment resistance spring
6108-B	09		5KDS040	1	Vertical adjustment resistance cap
6108-B	10		5KBH031	1	Vertical adjustment cover
6108-B	11		4KLG013	2	Vertical adjustment bearing
6108-B	12		5MVL197	1	Vertical adjustment bracket
6108-B	13		4BSC036	1	Screw torx 3.5x13.5
6108-B	14		5KVL071	1	Adjustable dispense head
6108-B	15	SW	5KVL072	1	Dispense nozzle <i>Used in production from 2024.37.XXXX.001. Can only be used with 5RSL029 See set 9VUL020 remarks</i>
6108-B	16	SW	5KVL076	1	Dispense nozzles lid
6108-B	17		5RSL016	1	Bypass water outlet (Add-on water XG)
6108-B	18	SW	5RSL029	1	CoEx brewer outlet hose <i>Used in production from 2024.37.XXXX.001. Can only be used with latest version 5KBH032 and 5KVL072 See set 9VUL020 remarks</i>
6108-B	19	SW	5RSL007	1	CoEx outlet single
					HISTORY
6108-B	18	SW	5RSL014	1	CoEx brewer outlet hose <i>replaced by 5RSL029 from S/N 2024.37.XXXX.001</i>
6108-B	02		5KBH032	1	Swiveling arm <i>Changed, see set 9VUL020 remarks</i>
6108-B	15	SW	5KVL072	1	Dispense nozzle <i>Changed, see set 9VUL020 remarks</i>



<i>Drawing</i>	<i>Pos</i>	<i>S</i>	<i>Part Nr</i>	<i>Qty</i>	<i>Spare Part Description</i>
					NOTE: use drawing 6503-E2 for Nio-FM models with S/N > 2019.35.3723.001 and other NIO models with S/N > 2019.38.8833.001
66..					Refer to drawing valves (metal) : 6603 CKA valves (plastic) : 6606 CKA
6506					Refer to drawing: steam boiler CKA
					Check drawing 6506 for steam boiler assemblies
					PARTS
6503-D	01		5KVL042		Front isolation for boilers
6503-D	02		6CKB500	2	Clixon phase wire
6503-D	03	SW	4EBV018	2	Temperature safety clixon 110+/-5°C
6503-D	04		5MVL037	2	Clixon spacer
6503-D	05	SW	6VBL117		Pressure boiler 1660W 230Vac
6503-D	05		6VBL121		Pressure boiler 1310W 120Vac
6503-D	05a		4XSL048	2	Heat shrink tube red 5mm
6503-D	06	SE	6CSS059	2	Boiler temperature and level probe 135 mm
6503-D	07		n/a		
6503-D	08	SE	4MPF032		Push-in L fitting 1/8bd-sl6mm
6503-D	08	SE	4KPF027		Quick connection PPSU L 1/8bd sl6mm
6503-D	08	SE	4MPF087		Push-in L fitting 1/8bd-sl6mm (stainless steel)
6503-D	09		5KVL043		Back isolation for boilers
6503-D	10		6CKB526		Ground wire
6503-D	11	SE	4XSL037		Pressure hose 5x11
6503-D	12	SE	4MVR013		Hose clamp 11mm
6503-D	13	SE	4ESE008		Water counter / Flow meter 1.8mm
6503-D	14	SE	4MVL011		Pressure reducer 0-2 bar
6503-D	15	SE	4BKM046	2	Hose clamp 18.5 R
6503-D	16	SE	4XSL050		Pressure hose 10x16 4cm
6503-D	17	SE	4EMV070		Inlet valve 24V DC with backflow protection
6503-D	18		4BBK032	2	Bolt M4x12 and washer
6503-D	19		5MPF007		Plug 6mm
6503-D	20	SE	4KPF025		Push-in straight fitting 6mm-6mm (PPSU)
6503-D	21	SE	4XSL035		Pressure tube 6mm
6503-D	22	SE	4KPF023	2	Push-in T fitting 1/8bd sl6mm (PPSU)
6503-D	23	SE	4EMT027		Pump 0-15bar
6503-D	24	SW	5RVA019	2	Rubber pump mounting

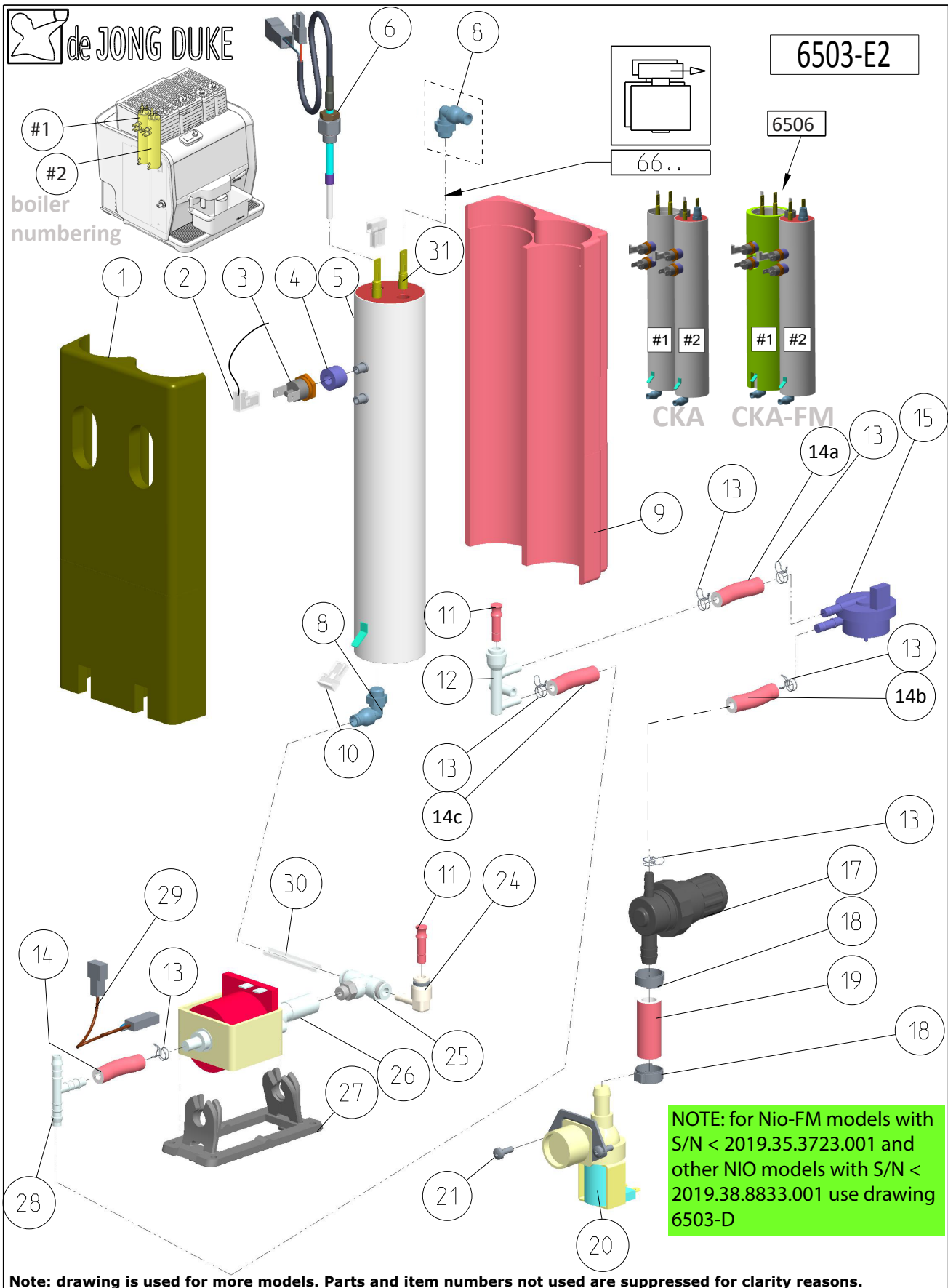


Drawing	Pos	S	Part Nr	Qty	Spare Part Description
6503-D	25	SE	6CKB511	2	Thermal cut-out / temperature protection
6503-D	26	SE	4KVL013		T-connector 4mm
6503-D	27		4KVL010		Hose cut-off clamp 19mm
					HISTORY
6503-D	03	SW	4EBV016		Temperature safety clixon 110+/-5°C <i>Replaced by 4EBV018</i>
6503-D	08	SE	4MPF087		Push-in L fitting 1/8bd-sl6mm (stainless steel) <i>Replaced by 4KPF027 from S/N 2019.04.xxxx.001</i>
6503-D	14	SW	4MVL003		Pressure reducer 0-2 bar <i>Replaced by 4MVL006 from S/N 2011.36.xxxx.001</i>
6503-D	14	SE	4MVL006		Pressure reducer 0-2 bar <i>Replaced by 4MVL010 from S/N 2013.14.7810.009</i>
6503-D	14	SE	4MVL010		Pressure reducer 0-2 bar <i>Replaced by 4MVL011 from S/N 2014.41.xxxx.001</i>
6503-D	15	SE	4BKM047	2	Hose clamp 19.5 R <i>Replaced by 4BKM046 from S/N 2017.18.xxxx.001</i>
6503-D	16	SE	4XSL042		Pressure hose 10x18 <i>Replaced by 4XSL050 from S/N 2017.18.xxxx.001</i>
6503-D	17	SE	4EMV033		Inlet valve 24V DC with backflow protection <i>Replaced by 4EMV059 from S/N 2015.06.3887.003</i>
6503-D	17	SE	4EMV059		Inlet valve 24V DC with backflow protection <i>Replaced by 4EMV070 from S/N 2015.40.xxxx.001</i>
6503-D	19		4MPF077		Plug 6mm <i>Replaced by 5MPF007 from S/N 2013.04.xxxx.001</i>
6503-D	20	SE	4MPF064		Push-in straight fitting 6mm-6mm <i>Replaced by 4KPF025</i>
6503-D	20	SE	4MPF092		Push-in straight fitting 6mm-6mm (stainless steel) <i>Replaced by 4KPF025</i>
6503-D	22	SE	4MPF031		Push-in T fitting 1/8bd sl6mm <i>Replaced by 4KPF023 from S/N 2014.34.xxxx.001</i>
6503-D	23	SE	4EMT021		Pump 0-15bar <i>Replaced by 4EMT027 from S/N 2011.01.xxxx.001</i>
			6VBL118		Pressure boiler (#1) 1660W / 230VAC (2 clixons) assembly <i>with items: 3, 4, 5, 5a, 6, 8 (2 x 4MPF032)</i>
			6VBL119		Pressure boiler (#2) 1660W / 230 VAC (2 clixons) assembly <i>with items: 3, 4, 5, 5a, 6, 8 (1 x 4MPF032)</i>
			6VBL125		Pressure boiler (#2) 1660W / 230 VAC (2 clixons) assembly <i>with items: 3, 4, 5, 5a, 6, 8 (1 x 4MPF032)</i>



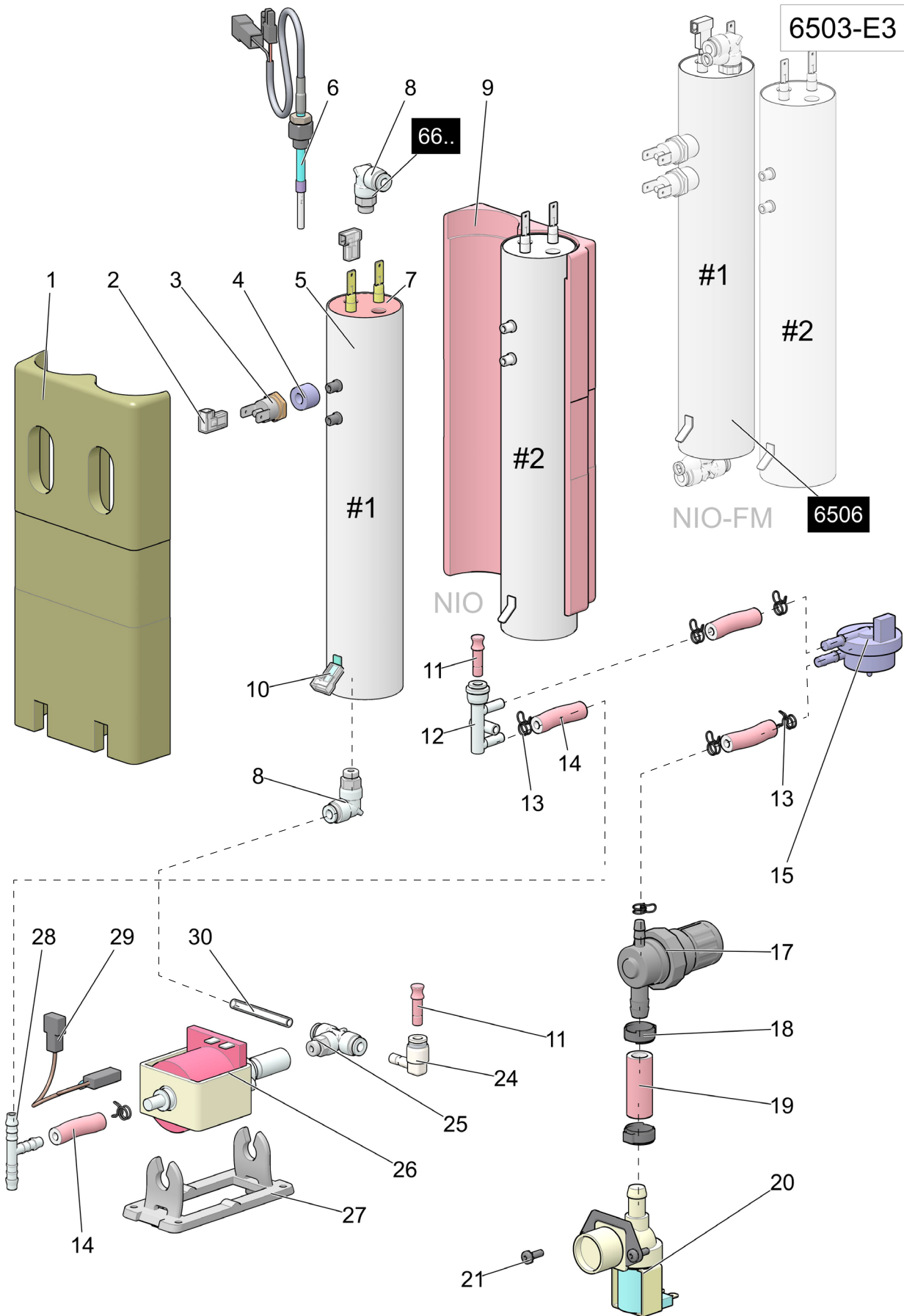
Note: drawing is used for more models. Parts and item numbers not used are suppressed for clarity reasons.

Drawing	Pos	S	Part Nr	Qty	Spare Part Description
					NOTE: replaces drawing 6503-D for Nio-FM models with S/N > 2019.35.3723.001 and other NIO models with S/N > 2019.38.8833.001
66..					Refer to drawing valves (metal) : 6603 CKA
6506					Refer to drawing: steam boiler CKA
					SETS
					for CKA with 2 pressure boilers (stainless steel)
		SW	6VBL122		Pressure boiler (#1) 1660W / 230 VAC (2 clixons) assembly (stainless steel) with items: 3 (2 x 4EBV018), 4, 5, 6, 8 (2 x 4KPF027), 31
		SW	6VBL123		Pressure boiler (#2) 1660W / 230 VAC (2 clixons) assembly (stainless steel) with items: 3 (2 x 4EBV018), 4, 5, 6, 8 (1 x 4KPF027), 31
					for CKA-FM with 1 pressure and 1 steam boiler
		SW	6VBL126		Pressure boiler (#2) 1660W / 230 VAC (2 clixons) assembly (stainless steel) with items: 3 (2 x 4EBV018), 4, 5, 5a, 6, 8 (1 x 4KPF027), 31
					Check drawing 6506 for steam boiler assemblies
					PARTS
6503-E2	01		5KVL042	1	Front insulation for 2 pressure boilers
6503-E2	01		9VBL063	1	Insulation set for 1 steam + 1 pressure boiler <i>Contains front, back and top parts, in production from s/n 2022.06.xxx.xxxx</i>
6503-E2	02		6CKB500	2	Clixon phase wire
6503-E2	03	SW	4EBV018	2	Temperature safety clixon 110+/-5°C
6503-E2	03	SW	4EBV019	2	Temperature safety clixon 135+/-5°C
6503-E2	04		5MVL037	2	Clixon spacer
6503-E2	05	SW	9VBL059	1-2	Pressure boiler 1660W 230Vac (6VBL117) including 2 x 02 (phase wires)
6503-E2	05		6VBL121	1-2	Pressure boiler 1310W 120Vac <i>US only</i>
6503-E2	06	SE	6CSS059	1-2	Boiler temperature and level probe 135 mm
6503-E2	07		n/a		
6503-E2	08	SE	4MPF032		Push-in L fitting 1/8bd-sl6mm
6503-E2	08	SE	4MPF087		Push-in L fitting 1/8bd-sl6mm (stainless steel)
6503-E2	08	SE	4KPF027	2	Quick connection PPSU L 1/8bd sl6mm
6503-E2	09		5KVL043	1	Back insulation for 2 pressure boilers

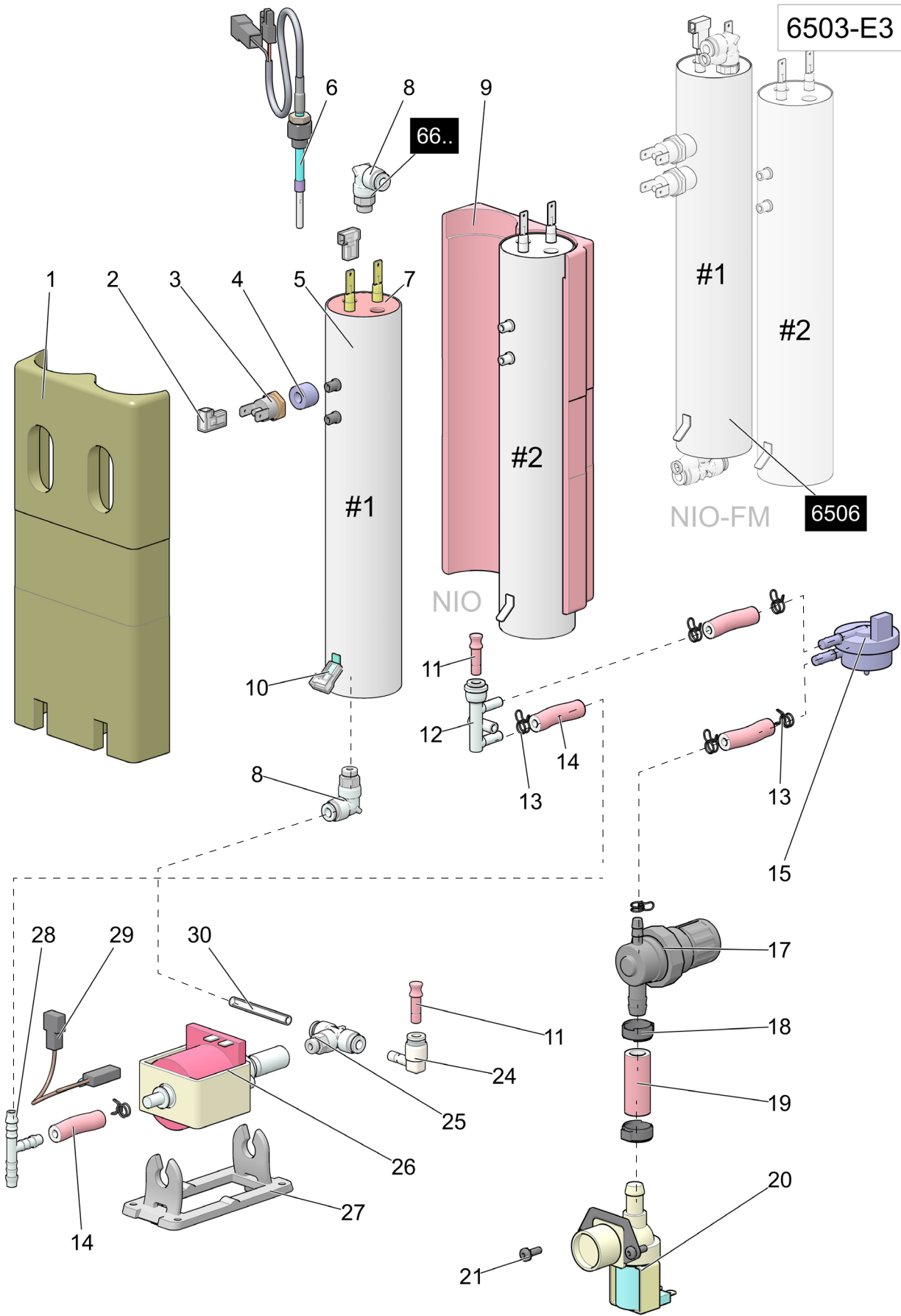


Note: drawing is used for more models. Parts and item numbers not used are suppressed for clarity reasons.

Drawing	Pos	S	Part Nr	Qty	Spare Part Description
6503-E2	09		9VBL063	1	Insulation set for steam and pressure boiler <i>See item 01</i>
6503-E2	10		6CKB526	2	Ground wire
6503-E2	11		5MPF007	2	Plug 6mm
6503-E2	12		4KPF036	1	Manifold PPSU 2-out closed
6503-E2	13	SE	4MVR013	6	Hose clamp 11mm
6503-E2	14	SE	4XSL037	4	Pressure hose 5x11
6503-E2	14a	SE	4XSL037	4	Pressure hose 5x11 (L=70mm)
6503-E2	14b	SE	4XSL037	4	Pressure hose 5x11 (L=215mm)
6503-E2	14c	SE	4XSL037	4	Pressure hose 5x11 (L=180mm)
6503-E2	15	SE	4ESE008	1	Water counter / Flow meter 1.8mm
6503-E2	16		n/a		
6503-E2	17	SE	4MVL011	1	Pressure reducer 0-2 bar
6503-E2	18	SE	4BKM046	2	Hose clamp 18.5 R (stainless steel)
6503-E2	19	SE	4XSL050	1	Pressure hose 10x16 L=4cm
6503-E2	20	SE	4EMV070	1	Inlet valve 24V DC with backflow protection
6503-E2	21		4BBK032	2	Bolt M4x12 with lock washer
	22		n/a		
	23		n/a		
	24		4KPF030	1	Quick Connection PPSU L pipe6-sl6
6503-E2	25	SE	4KPF023	2	Push-in T fitting 1/8bd sl6mm (PPSU)
6503-E2	26	SE	4EMT027	2	Pump 0-15bar
6503-E2	27	SW	5RVA019	2	Rubber pump mounting
6503-E2	28	SE	4KVL013	1	Tube Connection T POM Di=4mm
6503-E2	29	SE	6CKB511	2	Thermal cut-out / temperature protection
6503-E2	30	SE	4XSL035	1	Pressure tube 6mm
6503-E2	31		4XSL048	4	Heat shrink tube red 5mm
					HISTORY
6503-E2			4XSL041	1	Foam silicone hose in47x59±0.5. <i>Used with steam boiler. Discontinued in production from S/N 2022.06.xxx.xxxx. Used together with items 5KVL042+5KVL043 now replaced by 9VBL063.</i>
			6VBL118		Pressure boiler (#1) 1660W / 230VAC (2 clixons) assembly
			6VBL119		Pressure boiler (#2) 1660W / 230 VAC (2 clixons) assembly
			6VBL125		Pressure boiler (#2) 1660W / 230 VAC (2 clixons) assembly

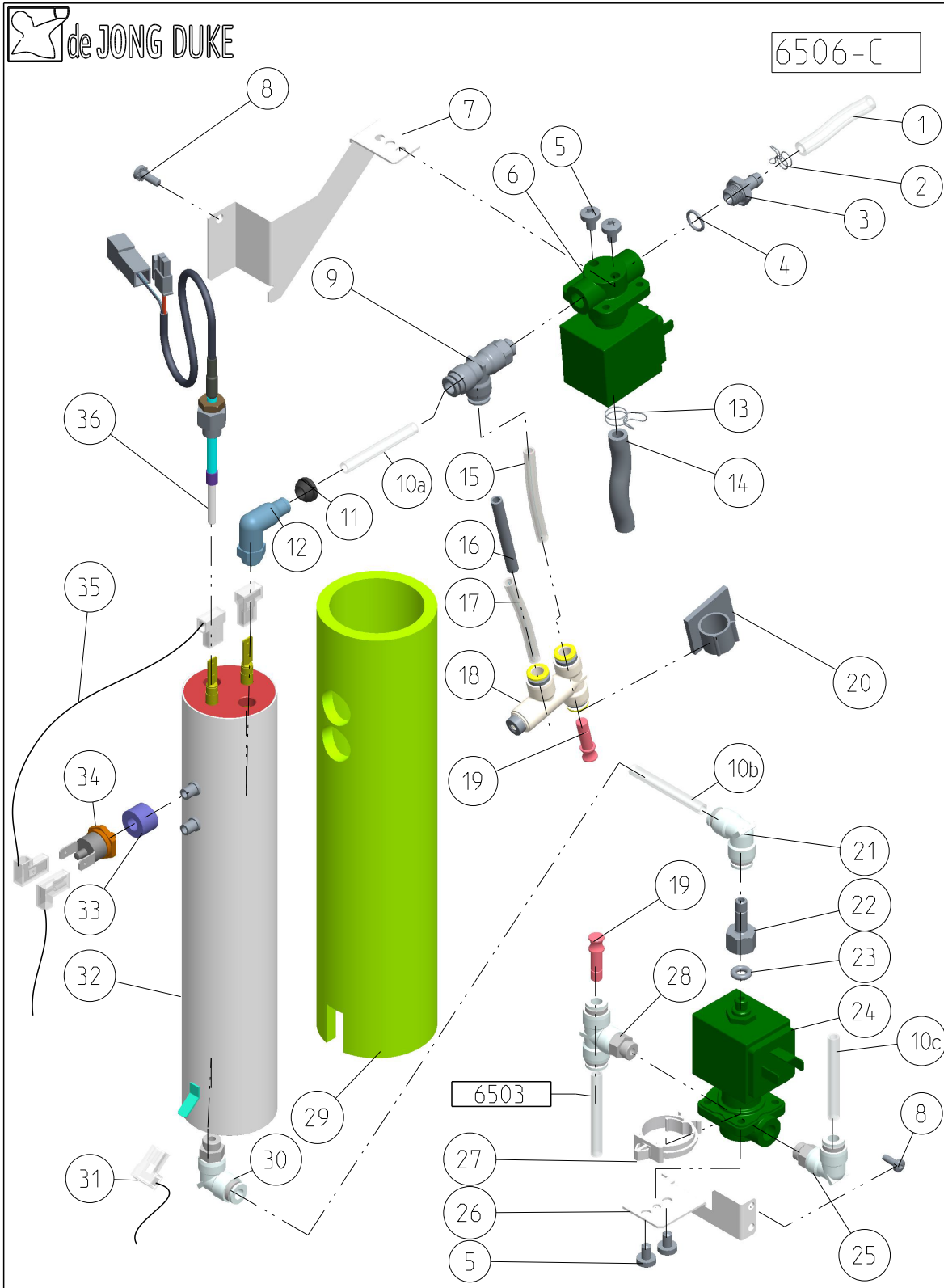


Drawing	Pos	S	Part Nr	Qty	Spare Part Description
					REFERENCES
66..					Refer to drawing valves (PPSU) : 6606 NIO
6506					Refer to drawing: steam boiler NIO
					for NIO PPSU with 2 pressure boilers
		SW	6VBL132		Pressure boiler (#1) 1660W / 230VAC (2 clixons) assembly <i>with items: 3(2x4EBV018), 4(2x), 5, 6, 8(2x4KPF027), 31</i>
		SW	6VBL135		Pressure boiler (#2) 1660W / 230 VAC (2 clixons) assembly <i>with items: 3(2x4EBV018), 4(2x), 5, 6, 8(4KPF023+4KPF027), 31</i>
					for NIO-FM PPSU with 1 pressure and 1 steam boiler
					Check drawing 6506 PPSU for steam boiler assemblies
		SW	6VBL134		Pressure boiler (#2) 1660W / 230 VAC (2 clixons) assembly <i>with items: 3(2x4EBV019), 4(2x), 5, 6, 8(2x4KPF027), 31, 4XSL041 (not drawn - see drawing 6506)</i>
					PARTS
6503-E3	01		5KVL042	1	Front isolation for 2 pressure boilers
6503-E3	01		9VBL063	1	Insulation set for steam and pressure boiler <i>Contains front, back and top parts, used in production from s/n 2022.06.xxx.xxxx</i>
6503-E3	02		6CKB500	2	Clixon phase wire
6503-E3	03	SW	4EBV018	2	Temperature safety clixon 110+/-5°C
6503-E3	03	SW	4EBV019	2	Temperature safety clixon 135+/-5°C
6503-E3	04		5MVL037	2	Clixon spacer
6503-E3	05	SW	9VBL059	1-2	Pressure boiler 1660W 230Vac <i>(6VBL117) including 2 x 02 (phase wires)</i>
6503-E3	05		6VBL121	1-2	Pressure boiler 1310W 120Vac <i>US only</i>
6503-E3	06	SE	6CSS059	1-2	Boiler temperature and level probe 135 mm
6503-E3	07		4XSL048	4	Heat shrink tube red 5mm
6503-E3	08	SE	4KPF027	2	Quick connection PPSU L 1/8bd sl6mm
6503-E3	08	SE	4KPF023	1	Push-in T fitting 1/8bd sl6mm (PPSU)
6503-E3	09		5KVL043	1	Back isolation for 2 pressure boilers
6503-E3	09		9VBL063	1	Insulation set for steam and pressure boiler <i>See item 01</i>
6503-E3	10		6CKB526	2	Ground wire
6503-E3	11		5MPF007	2	Plug 6mm
6503-E3	12		4KPF036	1	Manifold PPSU 2-out closed

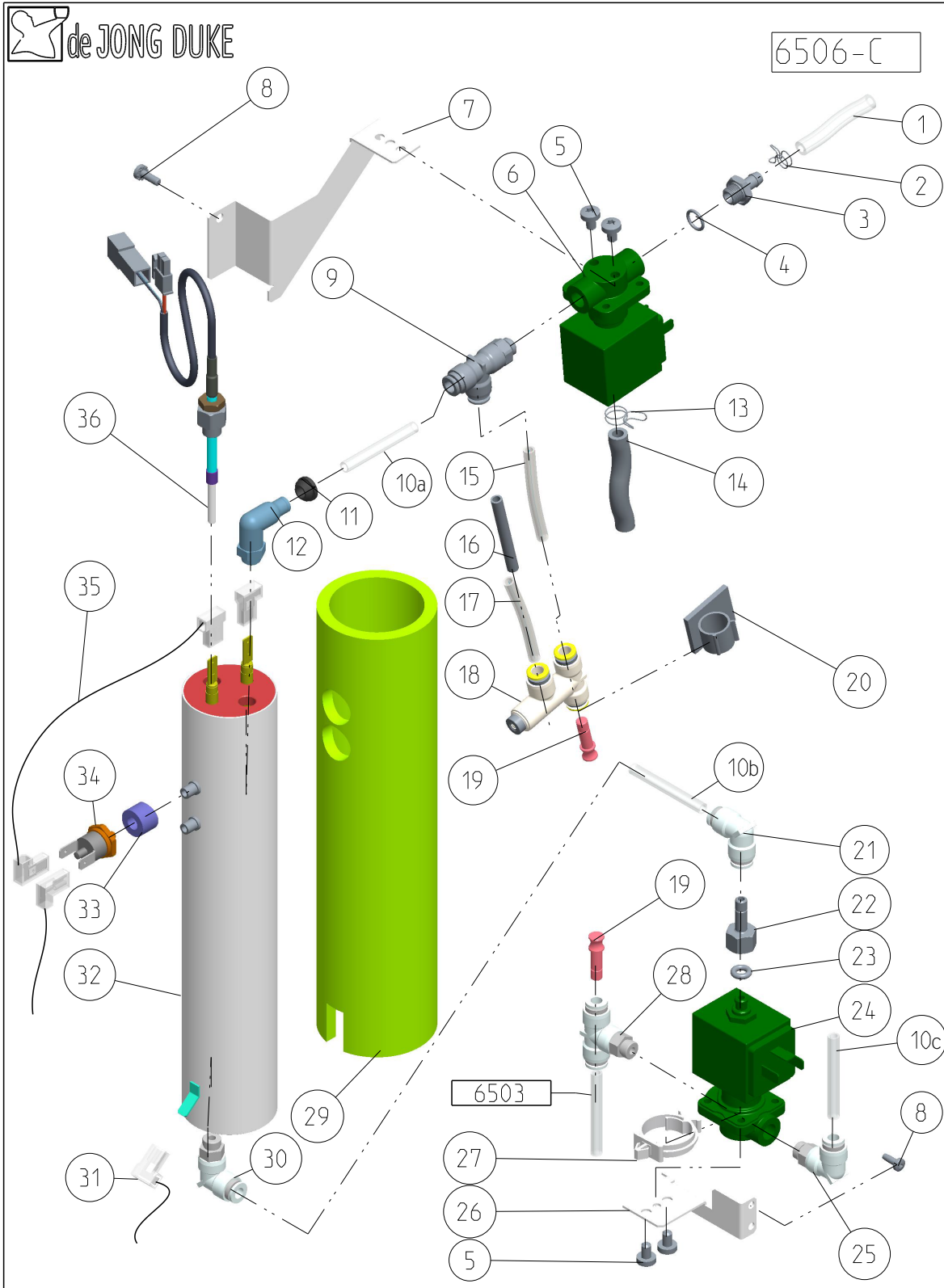


Drawing	Pos	S	Part Nr	Qty	Spare Part Description
6503-E3	13	SE	4MVR013	6	Hose clamp 11mm
6503-E	14	SE	4XSL037	4	Pressure hose 5x11
6503-E3	15	SE	4ESE008	1	Water counter / Flow meter 1.8mm
6503-E3	16		n/a		
6503-E3	17	SE	4MVL011	1	Pressure reducer 0-2 bar
6503-E3	18	SE	4BKM046	2	Hose clamp 18.5 R (stainless steel)
6503-E3	19	SE	4XSL050	1	Pressure hose 10x16 L=4cm
6503-E3	20	SE	4EMV070	1	Inlet valve 24V DC with backflow protection
6503-E3	21		4BBK032	2	Bolt M4x12 with lock washer
	22		n/a		
	23		n/a		
6503-E3	24		4KPF030	1	Quick Connection PPSU L pipe6-sl6
6503-E3	25	SE	4KPF023	2	Push-in T fitting 1/8bd sl6mm (PPSU)
6503-E3	26	SE	4EMT027	2	Pump 0-15bar
6503-E3	27	SW	5RVA019	2	Rubber pump mounting
6503-E3	28	SE	4KVL013	1	Tube Connection T POM Di=4mm
6503-E3	29	SE	6CKB511	2	Thermal cut-out / temperature protection
6503-E3	30	SE	4XSL035	1	Pressure tube 6mm
HISTORY					
6503	20		4KPF025		Push-in straight fitting 6mm-6mm (PPSU)
6503			4XSL041		Foam silicone hose in47x59±0.5. Used with steam boiler. <i>Discontinued in production from S/N 2022.06.xxx. xxxx. Was used together with items 5KVL042+5KVL043, now replaced by 9VBL063</i>

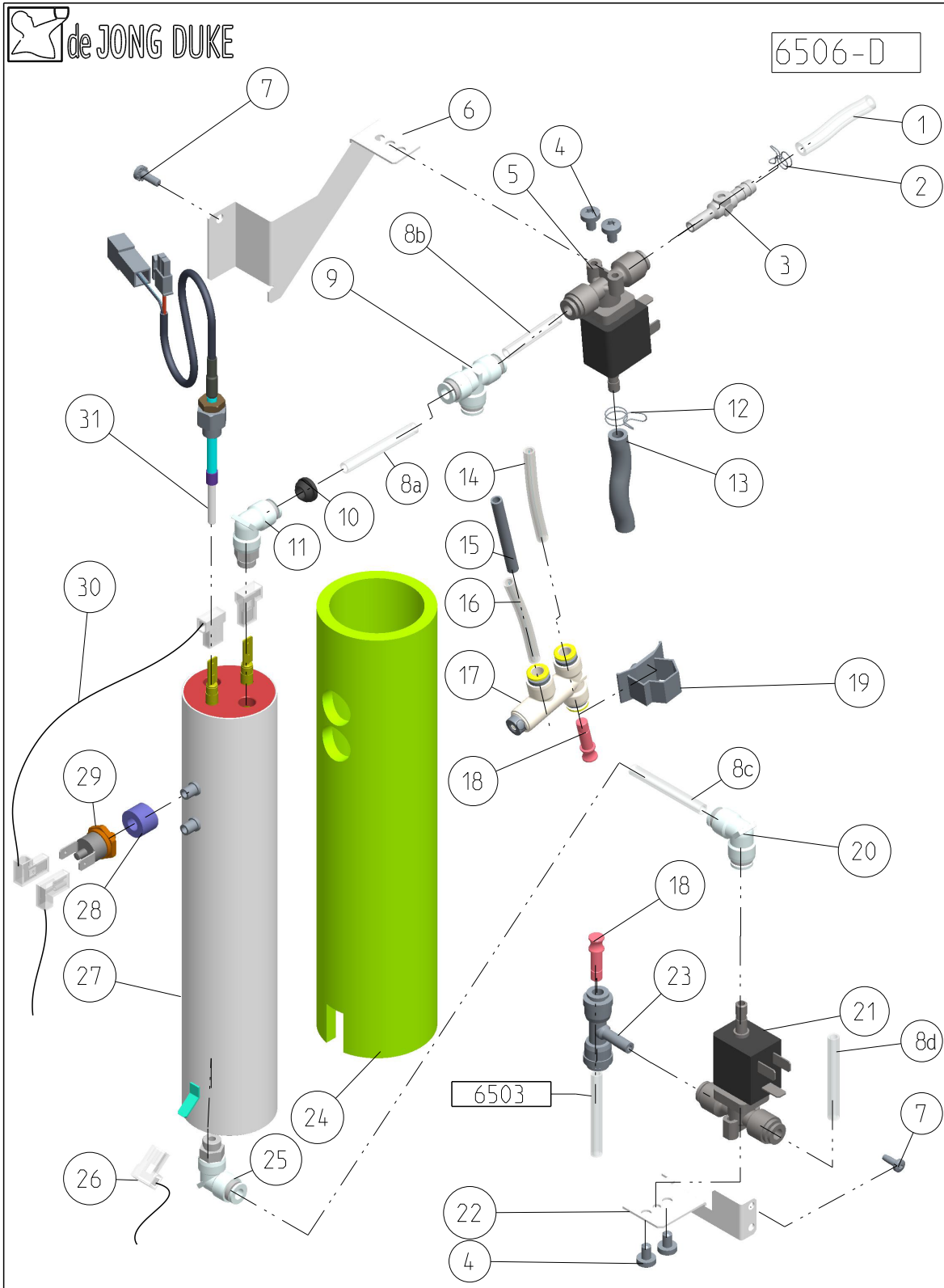
- Part numbers marked with "SE" are Service parts Engineer stock
- Part numbers marked with "SW" are Service parts Warehouse stock
- Part numbers marked with "n/a" are Not Available as spare part
- De Jong Duke recommends to have service parts available on local stock or car stock.



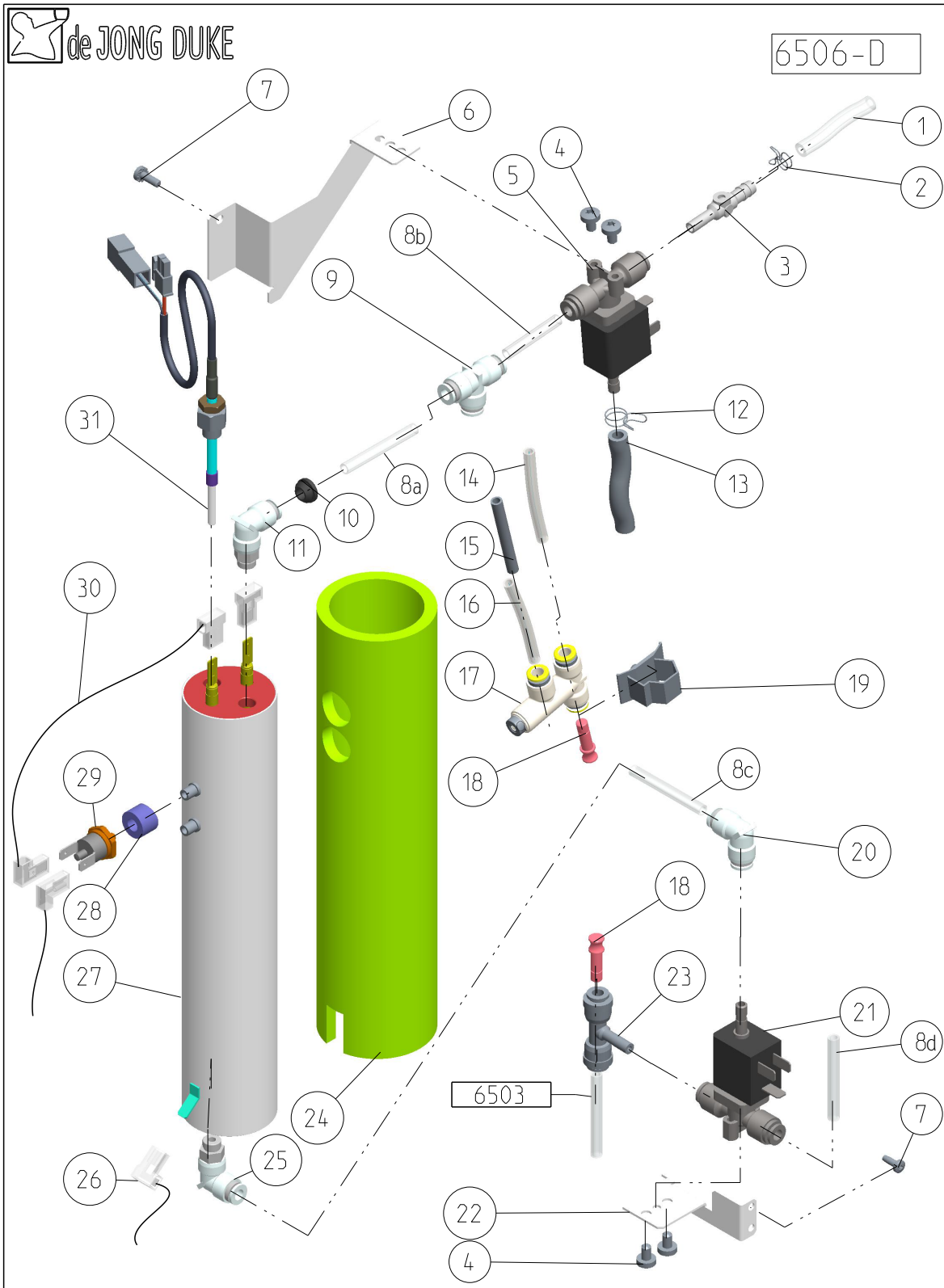
Drawing	Pos	S	Part Nr	Qty	Spare Part Description
6503					Refer to drawing 6503: Pressure Boiler
		SW	6VBL124		Steam boiler assembly (2 clixons) <i>with items 12(1x4K-PF027), 29, 30(1x4KPF027), 32, 33 (2x), 34 (2x), 36</i>
		SW	9VBL057		Steam boiler <i>with items 29, 32</i>
			9MVL009		Conversion set Standard - 5.5 bar safety valve PPSU <i>with items 05 (4BBK039), 07, 08, 09, 10a, 11, 12 (4MPF032), 15, 16, 17, 18, 19, 20</i>
			9MVL008		Conversion set Stainless Steel / 3S - 5.5 bar safety valve PPSU <i>with item 05 (4BBK021 x 2), 07, 08, 09, 10a, 11, 12 (4KPF027), 15, 16, 17, 18, 19, 20</i>
6506-C	01	SE	4XSL046	1	Tube 4x8mm Transparent
6506-C	02	SE	4MVR015	1	Tube clamp 8.3- 8.8mm
6506-C	03	SW	5MPF014	1	Tube pillar G1/8 D=4 (stainless steel)
6506-C	04	SE	4ROR049	1	O-ring 9.1x1.6
6506-C	05		4BBK039	1	Bolt M4x6 Torx <i>used in combination with 4EMV042/4EMV035</i>
6506-C	05		4BBK021	2	Bolt M5x8 Torx (stainless steel) <i>used in combination with 4EMV060/4EMV066</i>
6506-C	06	SE	9VIL019	1	3-way steam valve 4EMV042 <i>with item 04(2x)</i>
6506-C	06	SE	4EMV060	1	3-way steam valve (stainless steel)
6506-C	07		5MVL222	1	Bracket steam valve
6506-C	08		4BBK032	1	Bolt M4x12 Torx
6506-C	09		4KPF054	1	PPSU T Fitting 1/8bd-sl6-sl6
6506-C	10a	SE	4XSL035	1	Pressure tube 6mm (L=50mm)
6506-C	10b	SE	4XSL035	1	Pressure tube 6mm (L=330mm) <i>not drawn: protected by tube 4XSL003 L=280mm</i>
6506-C	10c	SE	4XSL035	1	Pressure tube 6mm (L=30mm)
6506-C	11		5RDT008	1	Rubber grommet 6mm
6506-C	12	SE	4KPF027	1	Quick connection PPSU L 1/8bd sl6mm
6506-C	13	SE	4MVR013		Tube clamp 11-11,6 metal
6506-C	14	SE	4XSL002		Tube 6x10 Grey
6506-C	15	SE	4XSL035	1	Pressure tube 6mm (L=180mm)
6506-C	16		4XSL001	1	Tube 4x8 Grey (L=120mm)
6506-C	17	SE	4XSL035	1	Pressure tube 6mm (L=40mm)
6506-C	18		4KPF046	1	Safety valve 5,5 Bar (PPSU) <i>Check info-bulletin IB-20180216 for more details.</i>
6506-C	19		5MPF007	1	Plug 6mm
6506-D	20		4BKM008	1	Cable clamp self-adhesive d=14mm <i>use item 4BKM016 if a snap mounting hole is present in the frame</i>
6506-D	20		4BKM016	1	Cable clamp snap mounting d=13mm



Drawing	Pos	S	Part Nr	Qty	Spare Part Description
6506-C	21	SE	4KPF024	1	Quick connection PPSU L 6mm-6mm
6506-C	22	SE	5MPF008	1	Push-in straight fitting 6mm- G1/8inw
6506-C	22	SE	5MPF009	1	Push-in straight fitting 6mm- G1/8inw (stainless steel)
6506-C	23		4ROR020	1	O-ring 5x3
6506-C	24	SE	4EMV035	1	3-way valve for boiler selection
6506-C	24	SE	4EMV066	1	3-way valve for boiler selection (stainless steel)
6506-C	25	SE	4MPF032	1	Push-in L fitting 1/8bd sl6mm
6506-C	25	SE	4KPF027	1	Quick connection PPSU L 1/8bd sl6mm
6506-C	26		5MVL236	1	Boiler selection valve bracket
6506-C	28	SE	4KPF023	1	Quick connection PPSU T 1/8
6506-C	29	SE	4XSL041	1	Silicone Foam hose 47x59±0.5 <i>removed in production from s/n 2022.06.xxxx.001</i>
6506-C	30	SE	4KPF027	1	Quick connection PPSU L 1/8bd sl6mm
6506-C	31		6CKB526	1	Earth connection wire
6506-C	32	SW	9VBL059	1	Pressure boiler 1660W 230Vac (6VBL117) including 2 x 02 (phase wires) and heat shrink tube (4XLS048) on connectors - not drawn
6506-C	33		5MVL037	2	Clixon spacer
6506-C	34	SW	4EBV019	2	Temperature safety clixon 135+/-5°C
6506-C	35		6CKB500	4	Clixon phase wire
6506-C	36	SE	6CSS059	1	Boiler temperature and level probe 135mm
HISTORY					
6506-C	04	SE	4ROR021	1	O-ring 9.1x1.6 <i>Replaced by 4ROR049 from s/n 2021.48.xxxx.001</i>
6506-C	09	SE	4MPF055	1	Push-in T fitting 1/8" 2xsl6mm <i>replaced by 4KPF054 from S/N 2018.34.4939.001</i>
6506-C	12	SE	4MPF087	1	Push-in L fitting 1/8bd sl6mm (stainless steel) <i>replaced by 4KPF027 from S/N 2019.04.xxxx.001</i>
6506-C	27	SE	4BKM043	1	Saddle clamp 25.4mm <i>replaced by 5MVL236 from S/N 2017.04.xxxx.001</i>
6506-C	29	SE	4XSL041	1	Silicone Foam hose 47x59±0.5 <i>used in combination with 5KVL042/5KVL043 - set replaced by 9VBL063 (drawing 6503)</i>
6506-C	30	SE	4MPF087	1	Push-in L fitting 1/8bd sl6mm (stainless steel) <i>replaced by 4KPF027 from S/N 2019.04.xxxx.001</i>
6506-C	36	SE	6CSS059	1	Boiler temperature and level probe 135mm <i>replaced by 6TMP074 from s/n 2021.06.XXXX.001</i>
6506-C	36	SE	6TMP074	1	Boiler temperature and level probe 135mm <i>replaced by 6CSS059 from s/n 2022.05.XXXX.001</i>

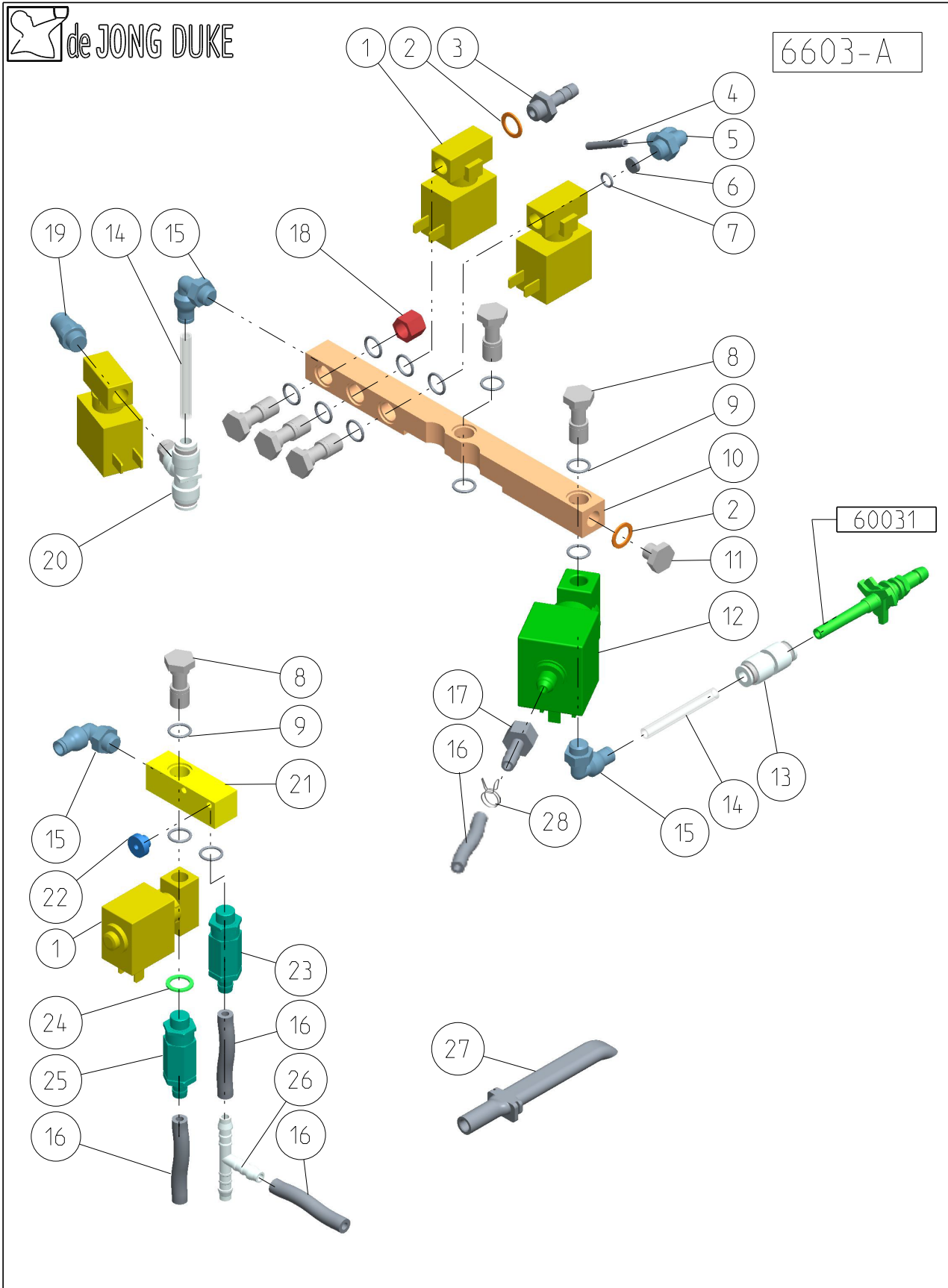


Drawing	Pos	S	Part Nr	Qty	Spare Part Description
					REFERENCES
6503					Refer to drawing 6503: Pressure Boiler
					SETS
		SW	6VBL134		Steam (Pressure) boiler assembly (2 clixon) <i>with items 11, 24, 25, 27, 28(2x), 29(2x), 31</i>
		SW	9VBL057		Steam (Pressure) boiler <i>with items 24, 27</i>
					PARTS
6506-D	01	SE	4XSL046	1	Tube 4x8mm Transparent
6506-D	02	SE	4MVR017	1	Tube clamp 9.3- 9.9mm
6506-D	03	SW	4KPF039	1	Tube pillar D=6 (PPSU)
6506-D	04		4BBK021	2	Bolt M5x8 Torx (stainless steel) <i>used in combination with 4EMV063</i>
6506-D	05	SE	4EMV063	1	3-way steam valve (PPSU) 1.5mm
6506-D	06		5MVL222	1	Bracket steam valve
6506-D	07		4BBK032	1	Bolt M4x12 Torx
6506-D	08a	SE	4XSL035	1	Pressure tube 6mm (L=40mm)
6506-D	08b	SE	4XSL035	1	Pressure tube 6mm (L=40mm)
6506-D	08c	SE	4XSL035	1	Pressure tube 6mm (L=390mm)
6506-D	08d	SE	4XSL035	1	Pressure tube 6mm (L=255mm)
6506-D	09	-	4KPF052	1	T Fitting PPSU sl6-sl6-sl6
6506-D	10		5RDT008	1	Rubber grommet 6mm
6506-D	11	SE	4KPF027	1	Quick connection PPSU L 1/8bd sl6mm
6506-D	12	SE	4MVR015	1	Tube clamp 8.3- 8.8mm
6506-D	13	SE	4XSL002		Tube 6x10 Grey (L=60mm)
6506-D	14	SE	4XSL035	1	Pressure tube 6mm (L=180mm)
6506-D	15		4XSL001	1	Tube 4x8 Grey (L=120mm)
6506-D	16	SE	4XSL035	1	Pressure tube 6mm (L=40mm)
6506-D	17		4KPF046	1	Safety valve 5,5 Bar (PPSU)
6506-D	18		5MPF007	1	Plug 6mm (stainless steel)
6506-D	19		4BKM008	1	Cable clamp Self-adhesive d=14mm <i>use item 4BKM016 if a snap mounting hole is present in the frame</i>
6506-D	19		4BKM016	1	Cable clamp Snap Mounting d=13mm
6506-D	20	SE	4KPF024	1	Quick connection PPSU L 6mm-6mm
6506-D	21	SE	4EMV063	1	3-way valve for boiler selection (PPSU) 1.5mm
6506-D	22		5MVL236	1	Boiler selection valve bracket
6506-D	23	SE	4KPF032	1	Quick Connection PPSU T sl6-pipe6-sl6
6506-D	24	SE	4XSL041	1	Silicone Foam hose 47x59±0.5 <i>removed in production from s/n 2022.06.xxxx.001</i>
6506-D	25	SE	4KPF027	1	Quick connection PPSU L 1/8bd sl6mm
6506-D	26		6CKB526	1	Earth connection wire

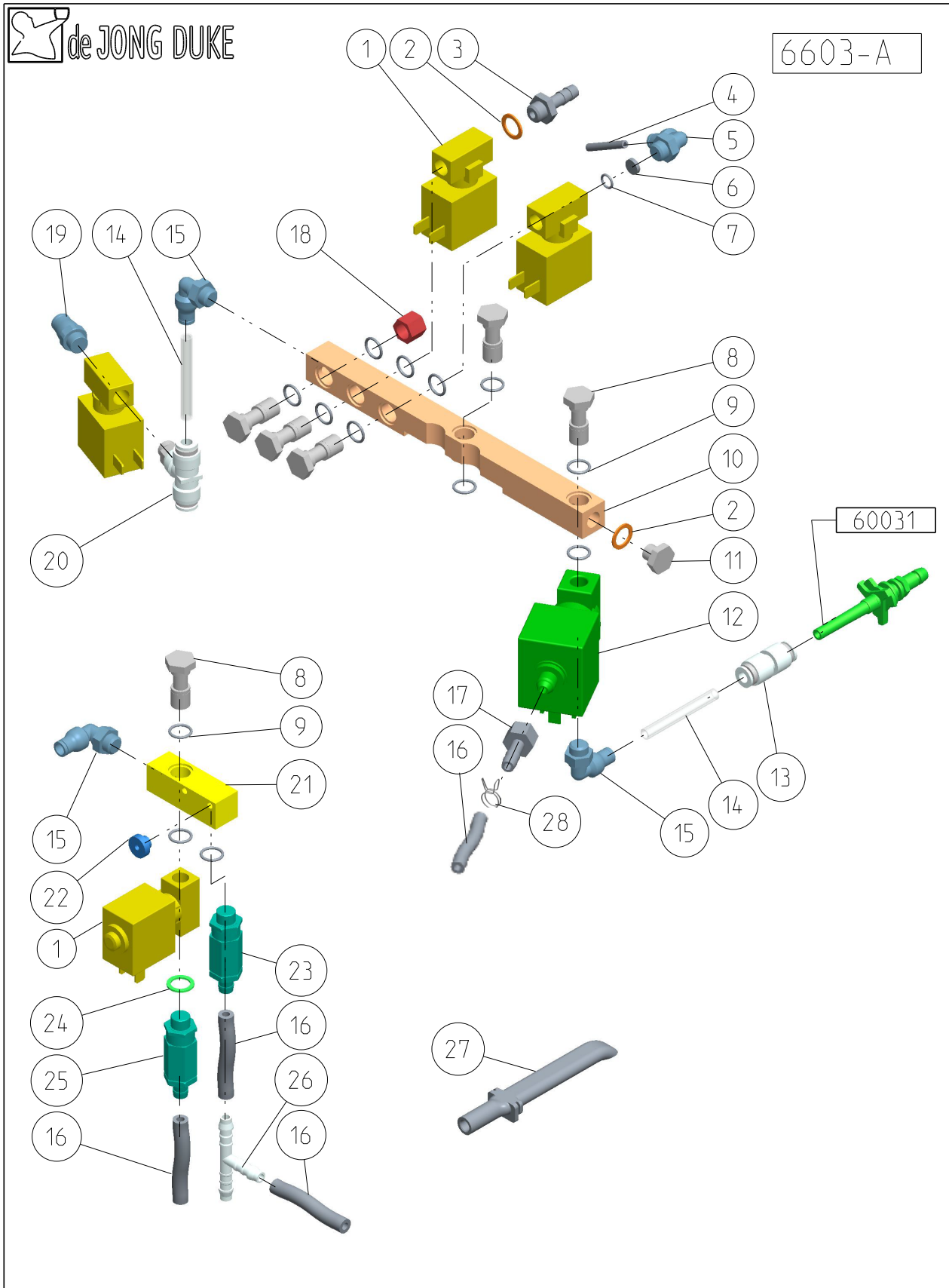


Drawing	Pos	S	Part Nr	Qty	Spare Part Description
6506-D	27	SW	9VBL059	1	Pressure boiler 1660W 230VAC (6VBL117) including 2 phase wires (pos 30) and heat shrink tube on connectors (4XLS048 - not drawn)
6506-D	28		5MVL037	2	Clixon spacer
6506-D	29	SW	4EBV019	2	Temperature safety clixon 135+/-5°C
6506-D	30		6CKB500	4	Clixon phase wire
6506-D	31	SE	6CSS059	1	Boiler temperature and level probe 135mm
					HISTORY
6506-D	24	SE	4XSL041	1	Silicone Foam hose 47x59±0.5 Used in combination with 5KVL042/5KVL043 - set replaced by 9VBL063 (drawing 6503)
6506-D	31	SE	6CSS059	1	Boiler temperature and level probe 135mm replaced by 6TMP074 from s/n 2021.06.XXXX.001
6506-D	31	SE	6TMP074	1	Boiler temperature and level probe 135mm replaced by 6CSS059 from s/n 2022.05.XXXX.001

- Part numbers marked with "SE" are Service parts Engineer stock
- Part numbers marked with "SW" are Service parts Warehouse stock
- Part numbers marked with "n/a" are Not Available as spare part
- De Jong Duke recommends to have service parts available locally (SW) or as car stock (SE).

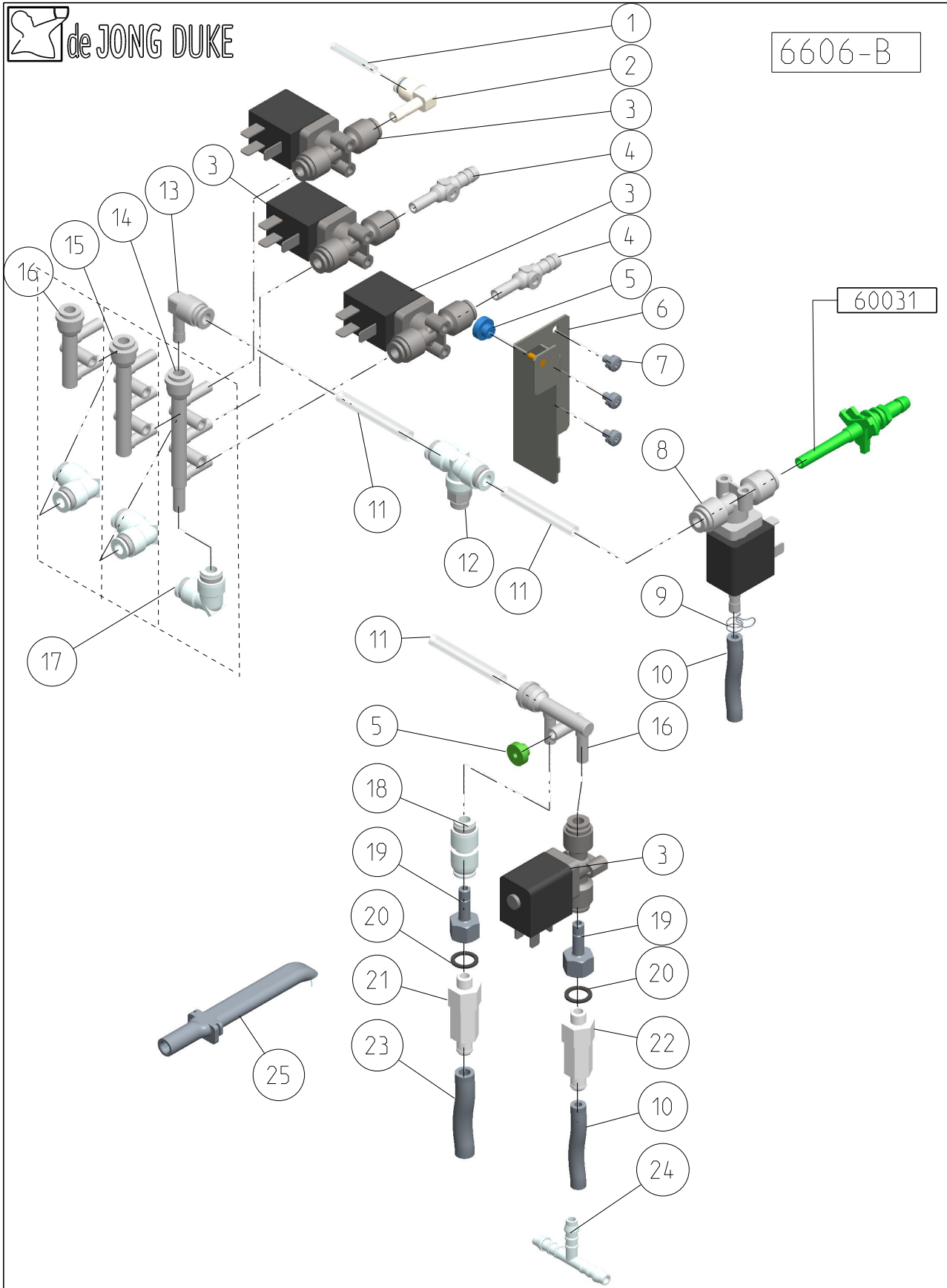


Drawing	Pos	S	Part Nr	Qty	Spare Part Description
60031					Refer to drawing 60031: CoExBrewer Motor Assembly
6603-A	01	SE	9VIL016		2-way valve 4EMV068 with external spring <i>with item 9 (2x)</i>
6603-A	01	SE	4EMV057		2-way valve (stainless steel)
6603-A	02	SE	4BPR039		Copper ring for manifolds and valves 14x10x1
6603-A	03	SW	4MPF044		Tube pilar G1/8"
6603-A	03	SW	5MPF014		Tube pilar G1/8" (stainless steel)
6603-A	04	SE	4XSL047		Pressure tube 2x4mm
6603-A	05	SW	4MPF058		Push-in L fitting 1/8bd-sl4mm <i>Used in combination with (01) 4EMV068</i>
6603-A	05		4KPF026		Quick connection PPSU L 1/8bd sl4mm <i>Used in combination with (01) 4EMV057</i>
6603-A	06		5MVL176		Restriction Disc Hot Water (stainless steel) <i>Discontinued in production from 2017.15.xxxx.001</i> <i>When removed also remove item 07</i>
6603-A	07		4ROR015		O-ring 4.47x1.78 <i>Discontinued in production from 2017.15.xxxx.001</i>
6603-A	07	SW	4ROR030		O-ring 6x1.2 <i>Discontinued in production from 2017.15.xxxx.001</i>
6603-A	08	SE	5MPF019		Banjo bolt G1/8" L=27mm (stainless steel)
6603-A	09	SE	4ROR049		O-ring 9.1x1.6
6603-A	10		5MVL201		Manifold 4 valves 2 output ports
6603-A	10		5MVL204		Manifold 4 valves 2 output ports (stainless steel)
6603-A	11		4MPF039		Stop 1/8" (brass)
6603-A	11		5MPF012		Stop 1/8" (stainless steel)
6603-A	12	SE	9VIL017		3-way coffee valve 4EMV032 <i>with items 9 (2x)</i>
6603-A	12	SE	4EMV058		3-way coffee valve (stainless steel)
6603-A	13	SE	4KPF025		Push-in straight fitting 6mm-6mm (PPSU)
6603-A	13	SE	4MPF092		Push-in straight fitting 6mm-6mm (stainless steel)
6603-A	14	SE	4XSL035		Pressure tube 6mm
6603-A	15	SE	4MPF032		Push-in L fitting 1/8bd-sl6mm
6603-A	15	SE	4KPF027		Push-in L fitting 1/8bd-sl6mm (PPSU)
6603-A	16	SE	4XSL001		Tube 4x8 mm Grey
6603-A	16	SE	4XSL002		Tube 6x10mm Grey
6603-A	17	SW	4MPF047		Tube pilar G1/8"P-inw
6603-A	18		4MPF041		Cap G1/8
6603-A	18		4MPF079		Cap G1/8 (stainless steel)



Drawing	Pos	S	Part Nr	Qty	Spare Part Description
6603-A	19	SE	4MPF034		Water connection 1/8" (brass)
6603-A	19	SE	4MPF100		Quick connection straight 1/8bd sl6mm (stainless steel)
6603-A	20	SE	4KPF023		Push-in T fitting 1/8bd sl6mm (PPSU)
6603-A	21		5MVL101		Manifold 1 valve 1 output port
6603-A	21		5MVL172		Manifold 1 valve 1 output port (stainless steel)
6603-A	22		4BMV011		Knurled Nut M3 off-white
6603-A	23	SE	4MPF085		Safety valve 12Bar (stainless steel)
6603-A	24	SE	4BPR031		Sealing ring fiber
6603-A	25	SE	4MPF084		Safety valve 2Bar
6603-A	26	SE	4KVL013		T-connector 4mm
6603-A	27		5RSL013		Excess water outlet
6603-A	28		4MVR013		Hose clamp 11-11.6mm
HISTORY					
6603-A	01	SE	4EMV031		2-way valve <i>Replaced by 4EMV065 from S/N 2014.46.xxxx.001</i>
6603-A	01		4EMV065		2-way valve with stainless steel piston <i>Replaced by 4EMV068 from S/N 2015.37.xxxx.001</i>
6603-A	09	SE	4ROR021		O-ring 9.1x1.6 <i>Replaced by 4ROR049 from S/N 2021.48.xxxx.001</i>
6603-A	13	SE	4MPF064		Push-in straight fitting 6mm-6mm <i>Replaced by 4KPF025</i>
6603-A	15	SE	4MPF087		Push-in L fitting 1/8bd-sl6mm (stainless steel)
6603-A	19	SE	4MPF088		Water connection 1/8" (stainless steel) <i>Replaced by 4MPF100 from S/N 2018.40.xxxx.001</i>
6603-A	23	SE	4MPF028		Safety valve 12Bar <i>Replaced by 4MPF085 from S/N 2014.11.xxxx.001</i>
6603-A	25	SE	4MPF059		Safety valve 2Bar <i>Replaced by 4MPF084 from S/N 2014.05.xxxx.001</i>

- Part numbers marked with "SE" are Service parts Engineer stock
- Part numbers marked with "SW" are Service parts Warehouse stock
- Part numbers marked with "n/a" are Not Available as spare part
- De Jong Duke recommends to have service parts available locally (SW) or as car stock (SE).

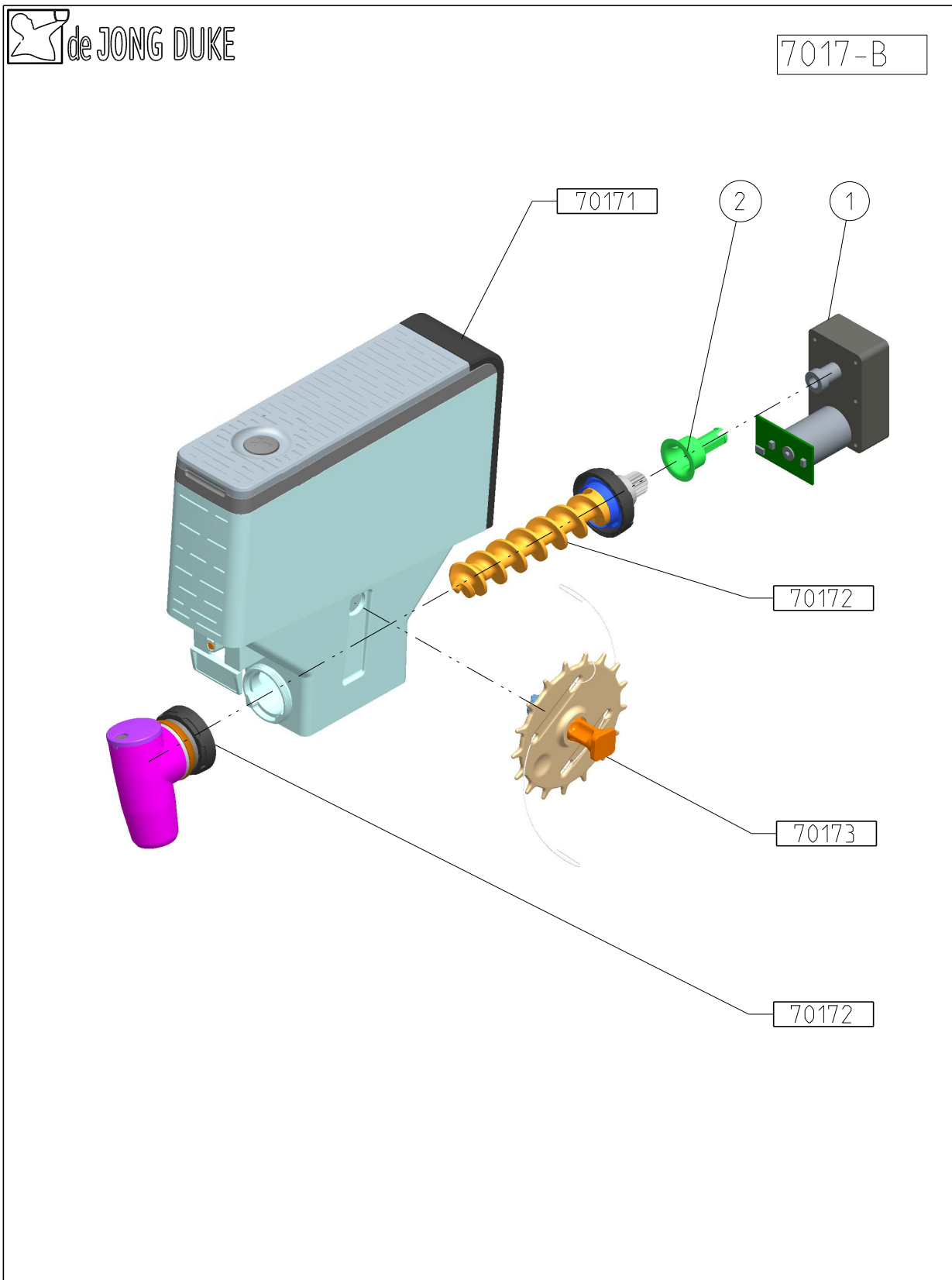


Drawing	Pos	S	Part Nr	Qty	Spare Part Description
60031					Refer to drawing 60031: CoExBrewer Motor Assembly
6606-B	01	SE	4XSL047	1	Pressure Tube 2x4mm
6606-B	02		4KPF053	1	Quick Connection PPSU L pipe6 sl4
6606-B	03		4EMV062	4	Outlet Valve PPSU 2-way DN1,5/16bar
6606-B	04		4KPF039	2	Tube pillar D=6 (PPSU)
6606-B	05		4BMV011	2	Knurled Nut M3 off-white
6606-B	06		5MVL229	1	Bracket for Valves PPSU CKA
6606-B	07		4BBK039	3	Bolt with lock washer M4x6 Torx
6606-B	08		4EMV063	1	Outlet Valve PPSU 3-way DN1,5/12,5bar
6606-B	09	SE	4MVR015	1	Tube clamp 8.3- 8.8mm
6606-B	10		4XSL001	2	Tube 4x8 grey
6606-B	11	SE	4XSL035	3	Pressure Tube PTFE 6x4
6606-B	12	SE	4KPF023	1	Quick Connection PPSU T 1/8BD sl6mm-6mm
6606-B	13		4KPF030	1	Quick Connection PPSU L pipe6-sl6
6606-B	14		4KPF038	1	Manifold PPSU 3-out open
6606-B	15		4KPF037	1	Manifold PPSU 3-out closed
6606-B	16		4KPF036	1	Manifold PPSU 2-out closed
6606-B	17	SE	4KPF024	1	Quick Connection PPSU L 6mm sl6
6606-B	18	SE	4KPF025	1	Quick Connection PPSU straight sl6mm-sl6mm
6606-B	19	SE	5MPF009	2	Push-in straight fitting G1/8bd sl6mm (stainless steel)
6606-B	20	SE	4BPR031	2	Sealing ring fiber 10x14x1
6606-B	21	SE	4MPF085	1	Safety Valve 12 bar (stainless steel 303)
6606-B	22	SE	4MPF084	1	Safety Valve 2 bar (stainless steel 303)
6606-B	23	SE	4XSL002	1	Silicone tube grey 6x10
6606-B	24	SE	4KVL013	1	T-connector 4mm (POM)
6606-B	25		5RSL013	1	Excess water outlet

HISTORY


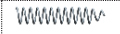
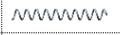

6606-B	02		4KPF033	1	Quick Connection PPSU straight sl6mm-sl4mm
6606-B	03		5MVL221	1	Insert Hose Barb 6mm-0.7mm
6606-B	11		4KPF032	1	Quick Connection PPSU T sl6 pipe6-sl6

- Part numbers marked with "SE" are Service parts Engineer stock
- Part numbers marked with "SW" are Service parts Warehouse stock
- Part numbers marked with "n/a" are Not Available as spare part
- De Jong Duke recommends to have service parts available on local (SW) or car stock (SE).







Drawing	Pos	S	Part Nr	Qty	Spare Part Description
70171					Refer to drawing 70171: Canister Body 9CKA
70172					Refer to drawing 70172: Canister Base 9CKA
70173					Refer to drawing 70173: Canister Wheel and Spring 9CKA
7017-B	01	SW	5EMT007	1	Powder motor 120 rpm 24VDC
7017-B	02	SW	5KPD118	1	Drive shaft extension
7017-B		SW	6CKB492	1	Cable to powder motor (not drawn)

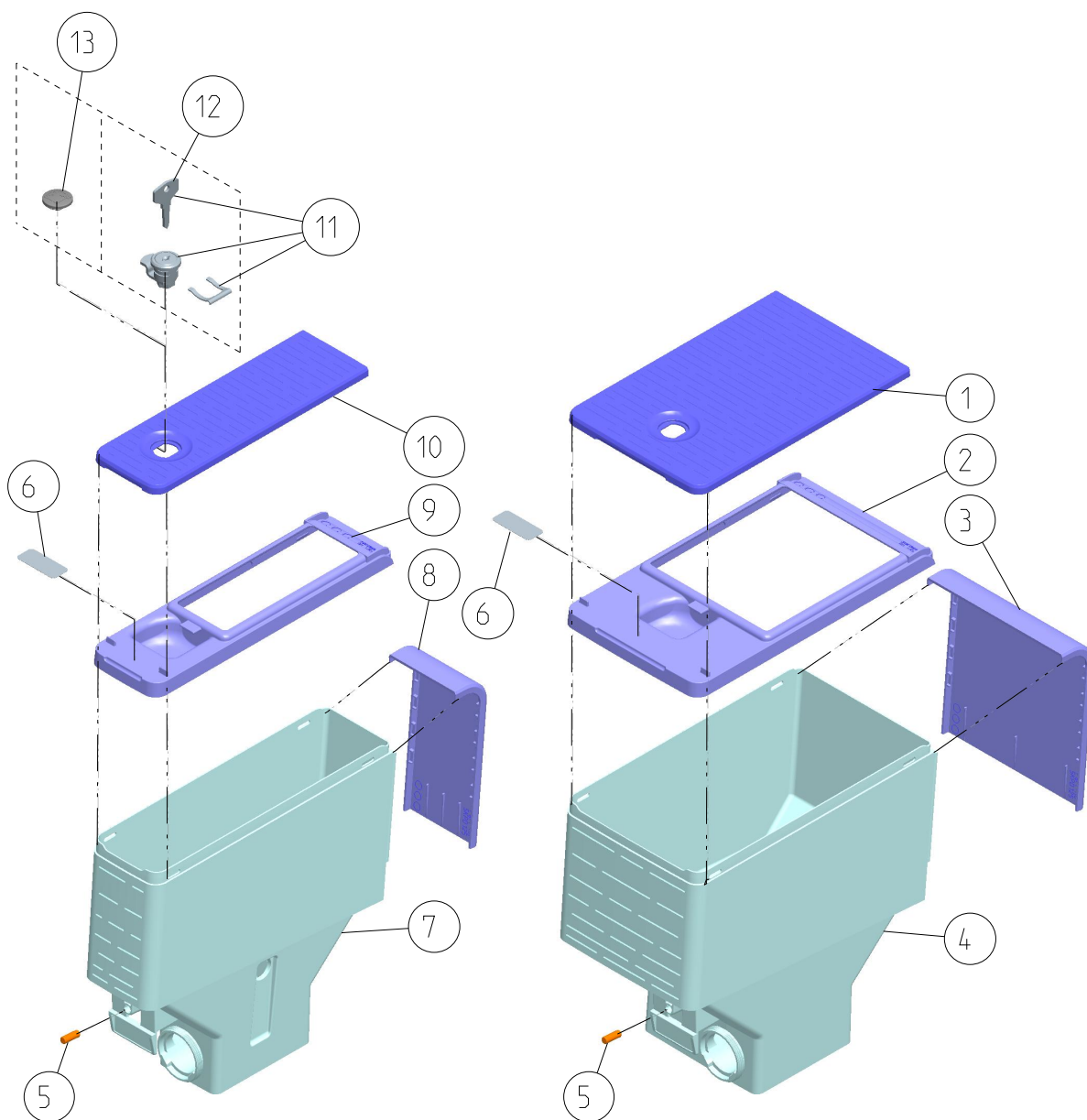
Canister overview Nio models

CANISTER OVERVIEW											
GROUP		INGREDIENT									
		BEANS	COFFEE	INSTANT COFFEE	SUGAR	SOUP	INSTANT TEA	Cardamon	TOPPING	CHOC	AUGER / SPRINGS
		BC									
A			A			A		A		A	P + S
B									B		ML + S
C				C			C				M
D					D						P

P = plastic auger
M = metal auger
ML = metal auger large
S = agitator and springs
 (63mm canister: 2 long springs)
 126mm canister: 2 short + 2 long springs)

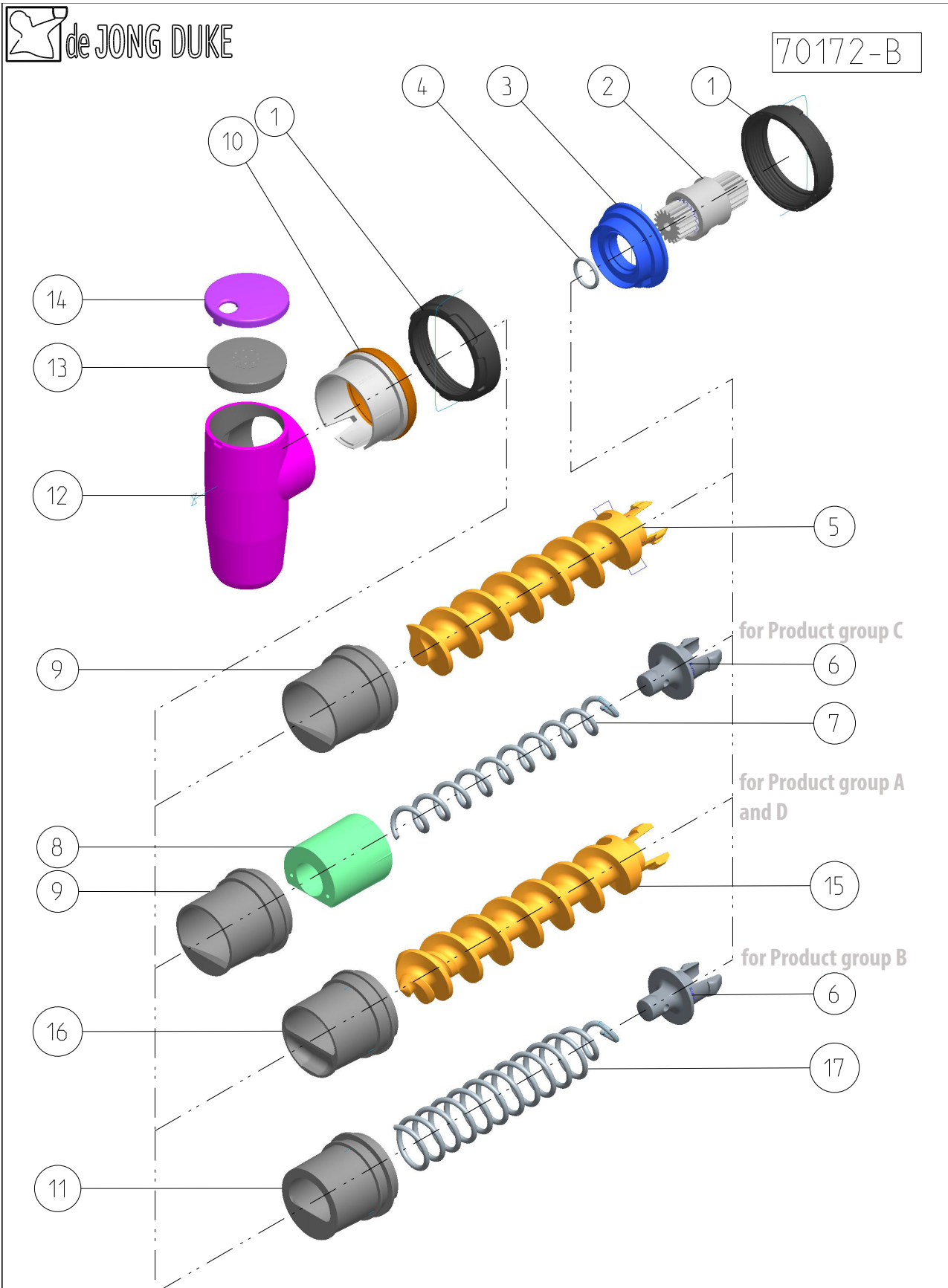
TYPE	ORD#NBR	INGREDIENT										ORD#NBR COMPLETE (*)
		BEANS	COFFEE	INSTANT COFFEE	SUGAR	SOUP	INSTANT TEA	Cardamon	TOPPING	CHOC		
126												
	6DCN400	+										9DCN900
189												
	6DCN410	+										n/a
63												
	6DCN434				D							9DCN904
	6DCN433		A			A		A		A		9DCN903
	6DCN440			C			C					9DCN905
	6DCN441								B			9DCN906
126												
	6DCN452		A			A		A		A		9DCN901
	6DCN453				D							9DCN908
	6DCN460								B			9DCN907
	6DCN461			C			C					n/a

*) ORD#NBR COMPLETE = 6DCNxxx set with lid (but no lock) , stickers and outlet



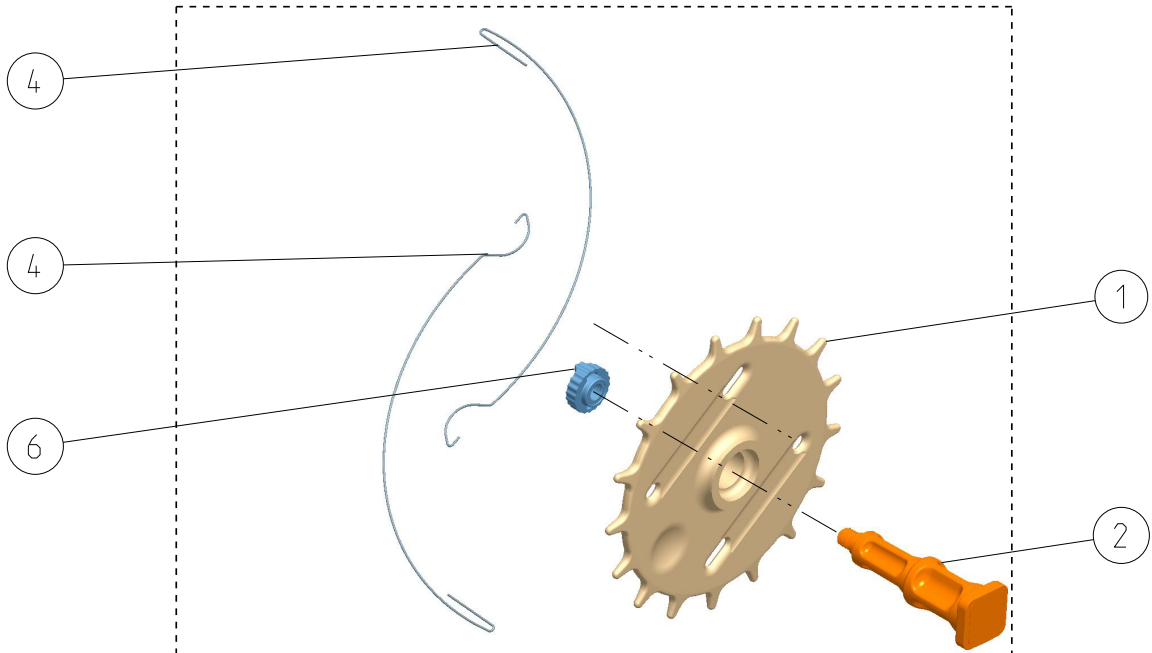
Drawing	Pos	S	Part Nr	Qty	Spare Part Description
70171-A	01		5KPD107		Canister 126 top lid
70171-A	02		5KPD105		Canister 126 lower lid
70171-A	03		5KPD125		Instant canister 126 cover plate
70171-A	04		5KPD139		Instant canister 126r body (model 2017) <i>Note: can only be used with new axle (5KPD140) auger and agitators (drawing 70172)</i>
70171-A	05		4MMG002		Magnet
70171-A	06		TP342		Sticker Coffee 1
70171-A	06		5TAG074		Sticker Coffee 2
70171-A	06		5TAG071		Sticker Instant Coffee
70171-A	06		TP344		Sticker Decaf
70171-A	06		TP347		Sticker Milk
70171-A	06		5TAG026		Sticker Topping
70171-A	06		TP349		Sticker Cappuccino
70171-A	06		TP348		Sticker Sugar
70171-A	06		5TAG072		Sticker French Vanille
70171-A	06		TP346		Sticker Tea
70171-A	06		TP343		Sticker Chocolate
70171-A	06		TP345		Sticker Soup 1
70171-A	06		5TAG075		Sticker Soup 2
70171-A	06	SW	5TAG068		All the stickers
70171-A	07		5KPD098		Instant canister 63 body
70171-A	08		5KPD102		Instant canister 63 cover plate
70171-A	09		5KPD104		Instant canister 63 lower lid
70171-A	10		5KPD106		Instant canister 63 top lid
70171-A	11	SW	4MHS030		Lock with key small
70171-A	12		4MHS031		Key for 4MHS030
70171-A	13		5RDK004		Canister lid seal
HISTORY					
70171-A	04		5KPD123		Instant canister 126r body <i>Replaced by 5KPD139 from S/N 2017.xx.xxxx.001</i>

- Part numbers marked with "SE" are Service parts Engineer stock
- Part numbers marked with "SW" are Service parts Warehouse stock
- Part numbers marked with "n/a" are Not Available as spare part
- De Jong Duke recommends to have service parts available on local (SW) or car (SE) stock.

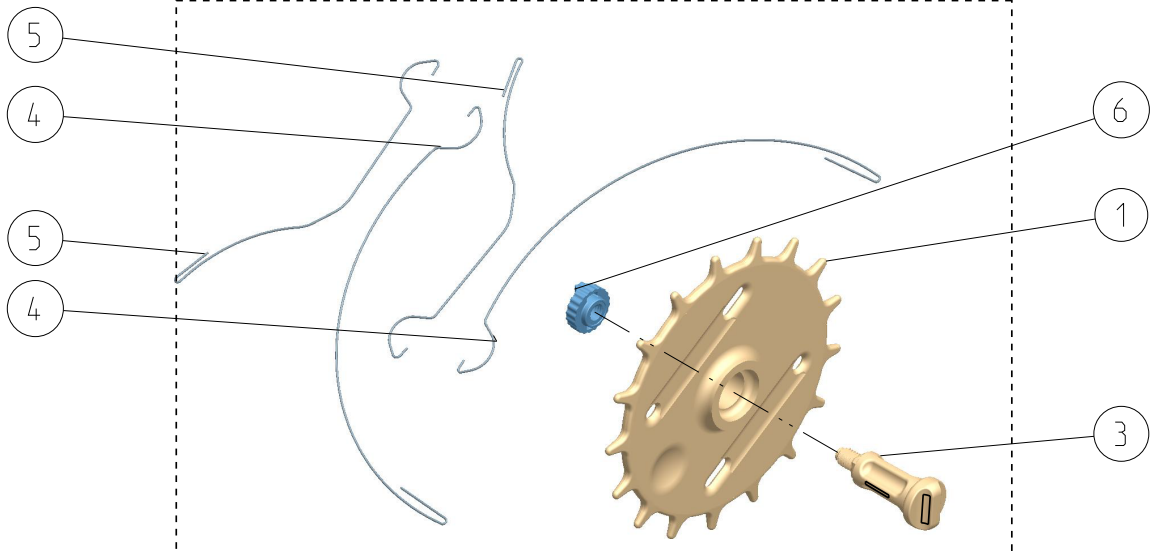


Drawing	Pos	S	Part Nr	Qty	Spare Part Description
70172-B	01		5KPD093		Driver nut
70172-B	02		5KPD117		Driver
70172-B	03		5KPD109		Driver bearing
70172-B	04		4ROR032		Driver O-ring
			Product group C		Instant coffee / Instant tea
70172-B	06		5KPD111		Metal auger driver
70172-B	07		5MPD124		Metal auger
70172-B	08		5KPD038		Driver outlet insert
70172-B	09		5KPD114		Driver outlet tube
			Product group A and D		A: Ground coffee/Choc/Soup/Cardamon D: Sugar
70172-B	15		5KPD143		Plastic auger long
70172-B	16		5KPD138		Driver outlet tube high wall
			Product group B		Topping
70172-B	06		5KPD111		Metal auger driver
70172-B	11		5KPD141		Outlet nozzle positioning ring
70172-B	17		5MPD127		Metal auger large
70172-B	10		5KPD144		Outlet nozzle with integrated locking/positioning
70172-B	12		5KPD145		Outlet nozzle
70172-B	13		5KPD121		Outlet nozzle cap base
70172-B	14		5KPD122		Outlet nozzle cap top
HISTORY					
70172-B	05		5KPD110		Plastic auger <i>replaced by 5KPD143 (pos 15) from S/N 2017.09.xxx.001 use in combination with pos 16 (product group A or D)</i>
70172-B	10		5KPD120 5KPD115		Outlet nozzle locking ring Outlet nozzle positioning ring <i>replaced by 1 piece 5KPD144 from S/N 2017.47.xxxx.xxx</i>
70172-B	12		5KPD119		Outlet nozzle <i>replaced by 5KPD145</i>

- Part numbers marked with "SE" are Service parts Engineer stock
- Part numbers marked with "SW" are Service parts Warehouse stock
- Part numbers marked with "n/a" are Not Available as spare part
- De Jong Duke recommends to have service parts available on local (SW) or car (SE) stock.



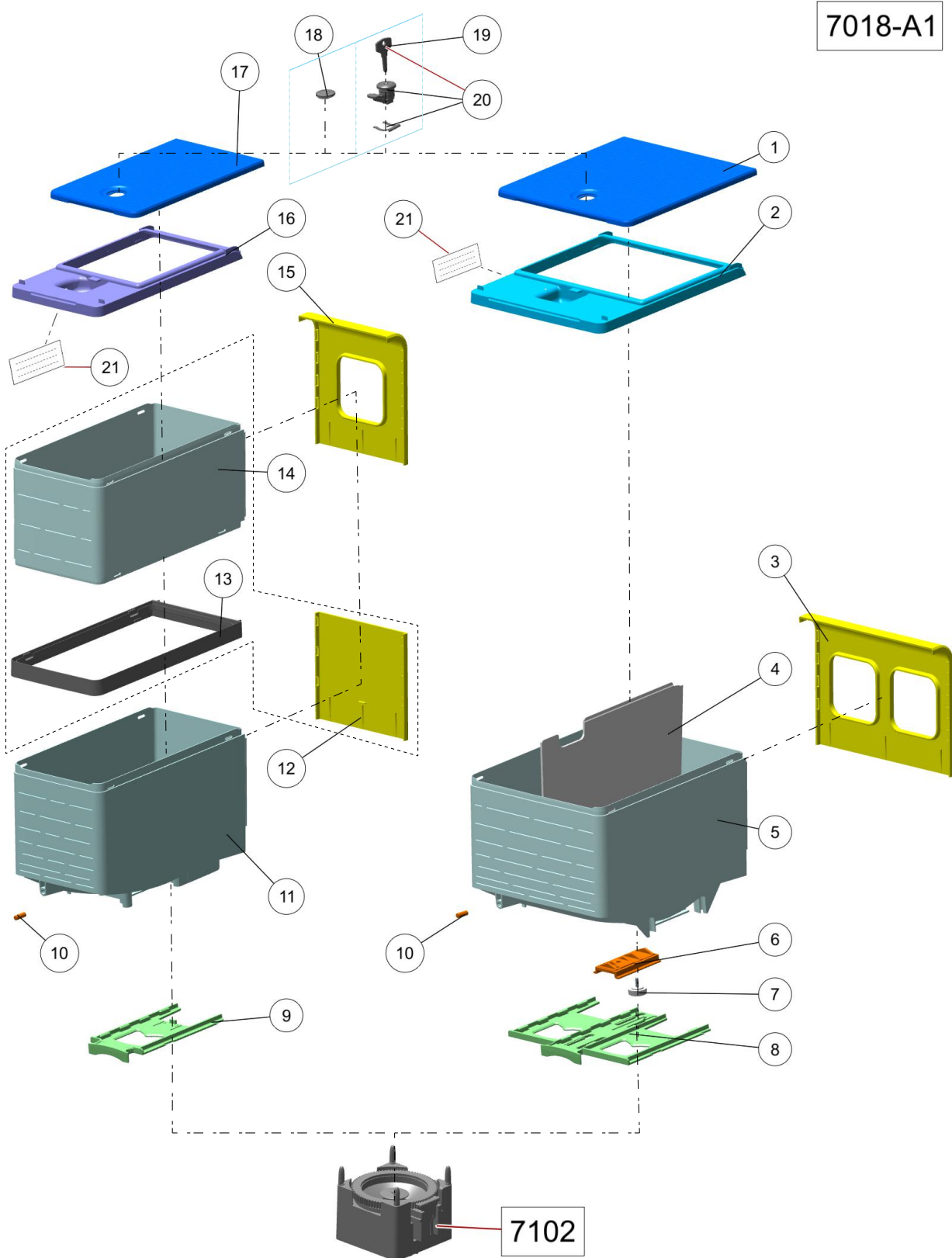
63mm width canister



126mm width canister

Drawing	Pos	S	Part Nr	Qty	Spare Part Description
					IMPORTANT: The Nio instant canisters were improved in 2017. All details can be found in an Information Bulletin (<u>Nio Instant Canisters Improved - Reminder and update</u>) available for download from the website.
					(model 2017) = new improved part. Will only fit in the new instant canister. See also drawing 70171.
70173-B	01		5KPD142		Agitator wheel (model 2017)
70173-B	02		5KPD100		Agitator axle 63mm
70173-B	03		5KPD140		Agitator axle 126mm (model 2017) Note: use in combination with / will only fit in new 5KPD139 canister, see drawing 70171
70173-B	04	SW	5MPD128		Agitator spring Nio long (model 2017) Note: use in combination with / will only fit in new item 01 (5KPD142)
70173-B	05	SW	5MPD129		Agitator spring Nio short (model 2017) Note: use in combination with / will only fit in new item 01 (5KPD142)
70173-B	06		5KPD101	1	Thumb nut M6
HISTORY					
70173-B	01		5KPD099		Agitator wheel Discontinued in production with S/N 2017.09.xxx.001
70173-B	03		5KPD124		Agitator axle 126mm Discontinued in production with S/N 2017.09.xxx.001
70173-B	04	SW	5MPD123		Agitator spring short Discontinued in production with S/N 2017.09.xxx.001

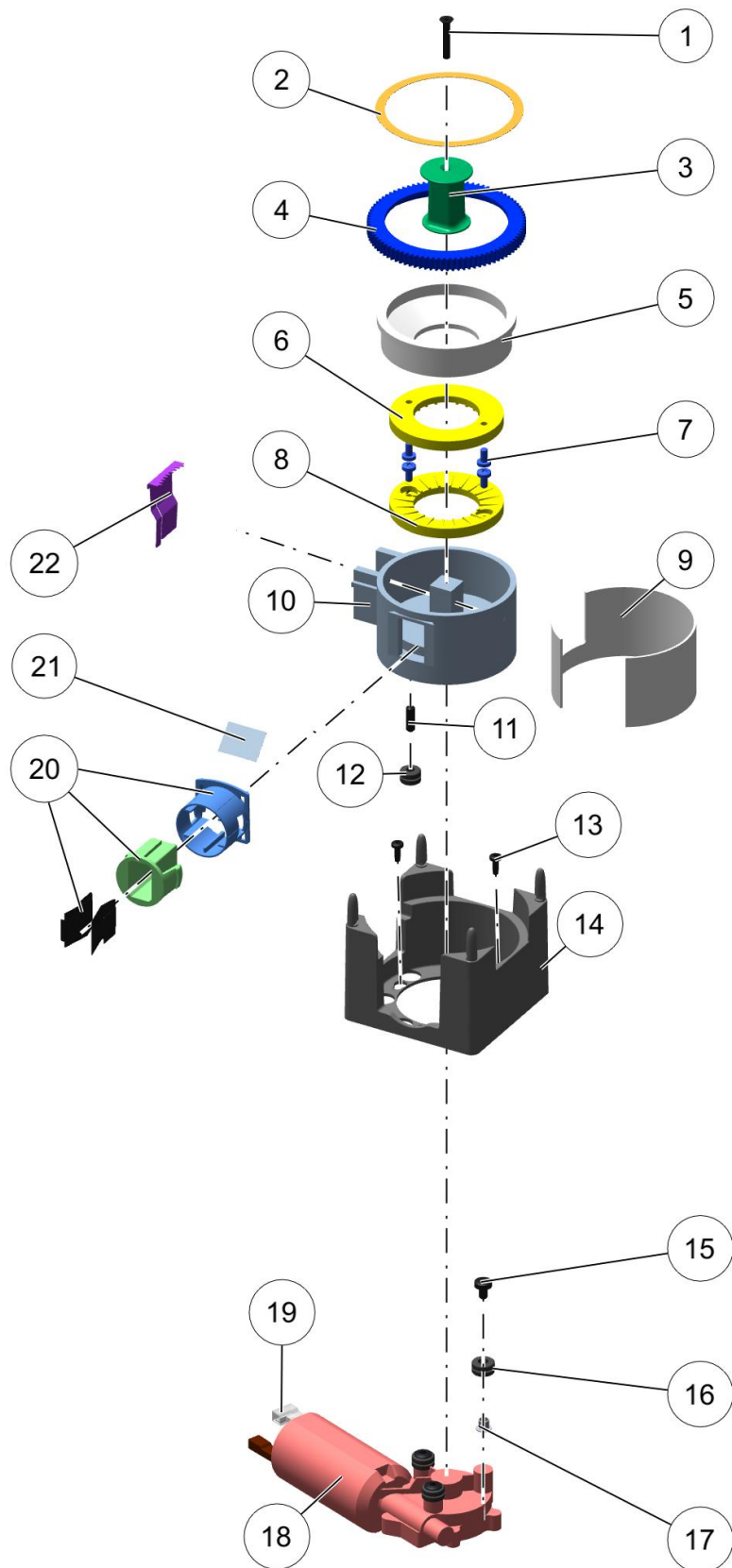
- Part numbers marked with "SE" are Service parts Engineer stock
- Part numbers marked with "SW" are Service parts Warehouse stock
- Part numbers marked with "n/a" are Not Available as spare part
- De Jong Duke recommends to have service parts available on local (SW) or car (SE) stock.



Drawing	Pos	S	Part Nr	Qty	Spare Part Description
7102					Refer to drawing 7102: Grinder
					SETS
7018-A1		SW	6DCN410		Bean Combicanister 189 assembly with items 02, 03, 04, 05, 06, 07, 08, 10 + 4BMZ023 (not drawn)
7018-A1			9DCN900		Bean canister 126 assembly complete with items in set 6DCN400 and items 17, 18, 21(5TAG068).
7018-A1			6DCN400		Bean canister 126 assembly with items 09, 10, 11, 15, 16
					See also drawing 7017 for complete canisters.
7018-A1		SW	9DCN095		Bean Canister Extention assembly 126mm with 126mm items 12, 13, 14
7018-A1		SW	9DCN094		Canister Extention assembly 63mm with 63mm items 12, 13, 14
					PARTS
7018-A1	01		5KPD128	1	Canister 189mm top lid
7018-A1	02		5KPD127	1	Canister 189mm lower lid
7018-A1	03		5KPD126	1	Bean canister 189mm cover plate
7018-A1	04		5KBN024	1	Canister 189mm bean separation sheet
7018-A1	05		5KBN021	1	Bean canister 189mm
7018-A1	06		5KBN022	1	Bean canister shoe plate
7018-A1	07		KA279	1	Knurled Bolt M4x10
7018-A1			4BMZ023	1	Acorn nut M4 Stainless steel
7018-A1	08		5KBN023	1	Bean canister locking slider 189mm
7018-A1	09		5KBN002	1	Bean canister locking slider
7018-A1	10		4MMG002	1	Magnet
7018-A1	11		5KBN016	1	Bean canister 126mm
7018-A1	12		5KPD136	1	Lower cover plate 126mm
7018-A1	13		5KPD133	1	Extention fitting 126mm
7018-A1	14		5KPD130	1	Canister Extention 126mm
7018-A1	15		5KPD103	1	Bean canister 126 cover plate
7018-A1	16		5KPD105	1	Canister 126 lower lid
7018-A1	17		5KPD107	1	Canister 126 top lid
7018-A1	18		5RDK004	1	Canister lid lock seal
7018-A1	19		4MHS031	1	Key for 4MHS030
7018-A1	20	SW	4MHS030	1	Lock with key small
7018-A1	21		TP342	1	Sticker Coffee 1
7018-A1	21		5TAG074	1	Sticker Coffee 2
7018-A1	21		5TAG068	1	Sticker set all ingredients

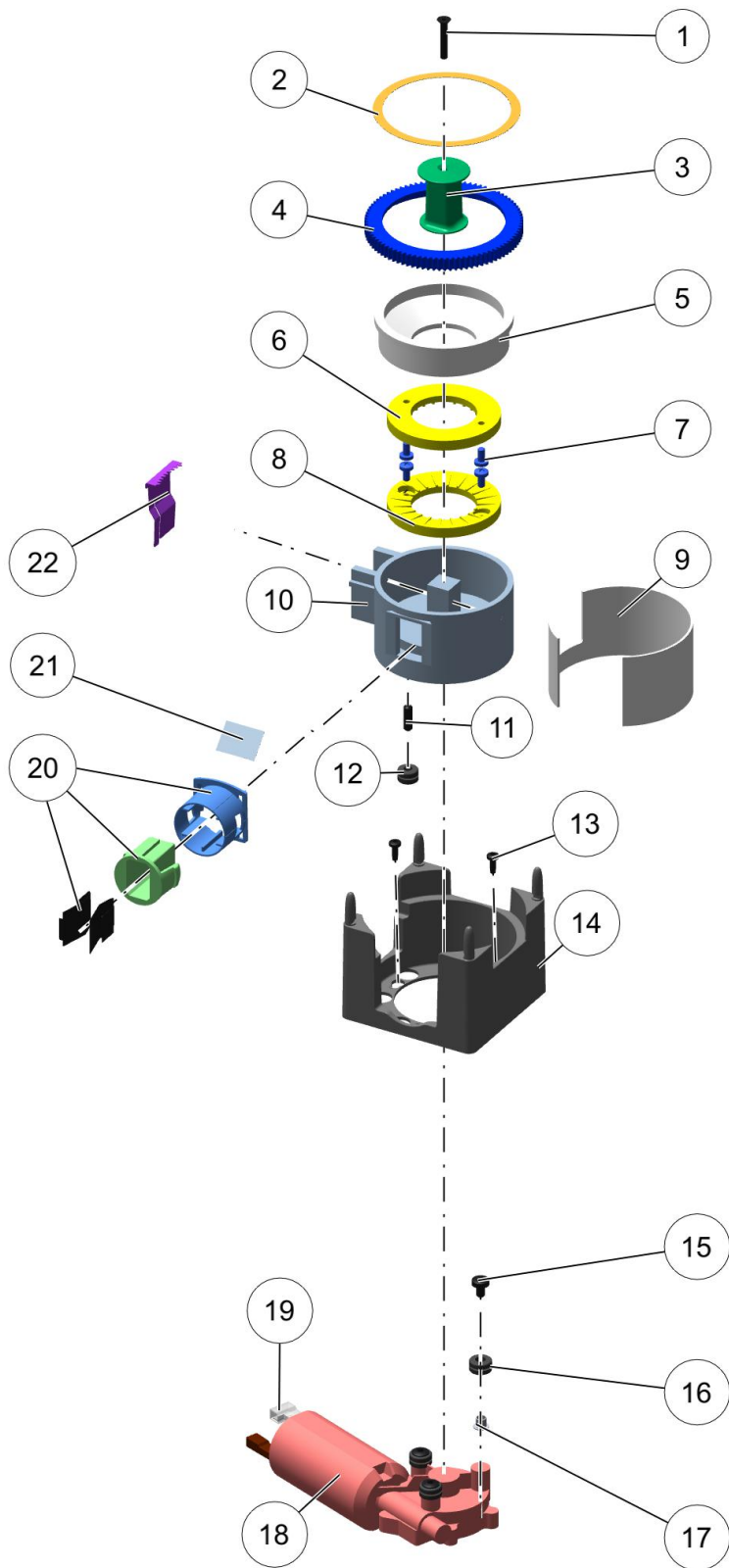
- Part numbers marked with "SE" are Service parts Engineer stock
- Part numbers marked with "SW" are Service parts Warehouse stock
- Part numbers marked with "n/a" are Not Available as spare part
- De Jong Duke recommends to have service parts available on local (SW) or car (SE) stock.

7102-F2



Drawing	Pos	S	Part Nr	Qty	Spare Part Description
					NIO
7102-F2		SW	9GES112		Nio Grinder Assembly complete with motor <i>with items 1-8, 10, 11, 15-22</i>
7102-F2		SW	9GES114		Nio Grinder Assembly (9GES112) without motor <i>with items 1-8, 10, 11, 20,22</i>
7102-F2		SW	5MBK094		Nio , set of 2 grinder discs and 6 screws <i>with items 6, 7, 8</i>
					NIO XG
7102-F2		SW	9GES115		Nio XG Grinder Assembly complete with motor <i>with items 1-8, 10, 11, 15-22</i>
7102-F2		SW	9GES116		Nio XG Grinder Assembly (9GES115) without motor <i>with items 1-8, 10, 11, 20,22</i>
7102-F2		SW	9GES118		Nio XG , set of 2 grinder discs and 6 screws <i>with items 6, 7, 8</i>
7102-F2	01		4BBV050	1	Screw M4x20 RVS
7102-F2	02		5TAD036	1	Sticker grinding degree (S)
7102-F2	02		5TAD035	1	Sticker grinding degree (XG)
7102-F2	03		5KBN018	1	Grinder finger guard
7102-F2	04	SW	5MBK071	1	Grinder adjustment parts
7102-F2	05		n/a		<i>order assembly for your model, see above</i>
7102-F2	06		n/a		Upper grinding disc fixed <i>not available separately, order set for your model, see above</i> Note: - Nio XG: upper and lower discs are identical - Nio: upper disc is 38mm inner diameter
7102-F2	07		n/a		<i>order assembly for your model, see above</i>
7102-F2	08		n/a		Lower grinding disc rotating <i>not available separately, order set for your model, see above</i> Note: - Nio XG: upper and lower discs are identical - Nio: lower disc is 35mm inner diameter
7102-F2	09		5RVA024	1	Soundproofing grinder
7102-F2	10		n/a		<i>order assembly for your model, see above</i>
7102-F2	11		4BBY016	1	Set screw M5x16
7102-F2	12		5RDT007	3	Cable grommet (Nio)
7102-F2	13		4BSC022	2	Cutting screw 3.5x9.5
7102-F2	14		5KBN001	1	Grinder base part plastic
7102-F2	15		4BBK035	3	Bolt M5x14
	16		5RDT008	3	Cable grommet 10x18 (Nio)
7102-F2	17		4BAF033	3	Hollow rivet
7102-F2	18	SW	5MBK072	1	Grinder motor <i>or order Grinder Assembly complete with motor</i>

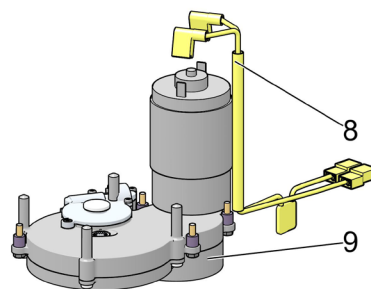
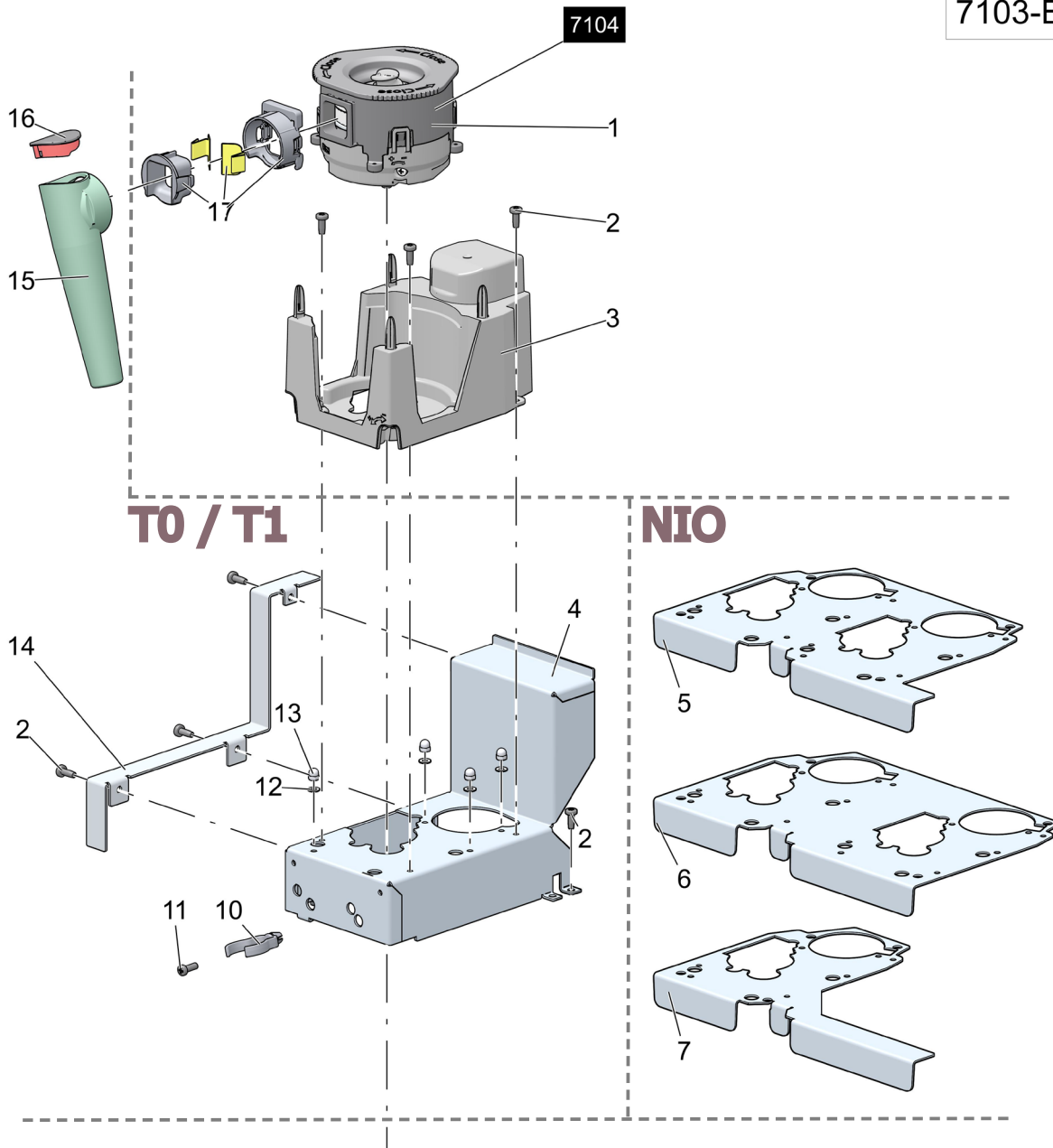
7102-F2



Drawing	Pos	S	Part Nr	Qty	Spare Part Description
7102-F2	19		6CKB492	1	Wire harness
7102-F2	20	SW	9DCN093	1	Grinder outlet assembly <i>complete with pipe inner and outer part + 2 spring clips</i> <i>Used for cabinet grinders all models</i>
7102-F2	21		5TAG210	1	Sticker grinder mark - Coffee 1
7102-F2	21		5TAG211	1	Sticker grinder mark - Coffee 2
7102-F2	22		5MBN002	1	Spring fixation grinder adjustment
HISTORY					
7102-F2	01		4BBV048	1	Screw M4x20 <i>Replaced by 4BBV050</i>

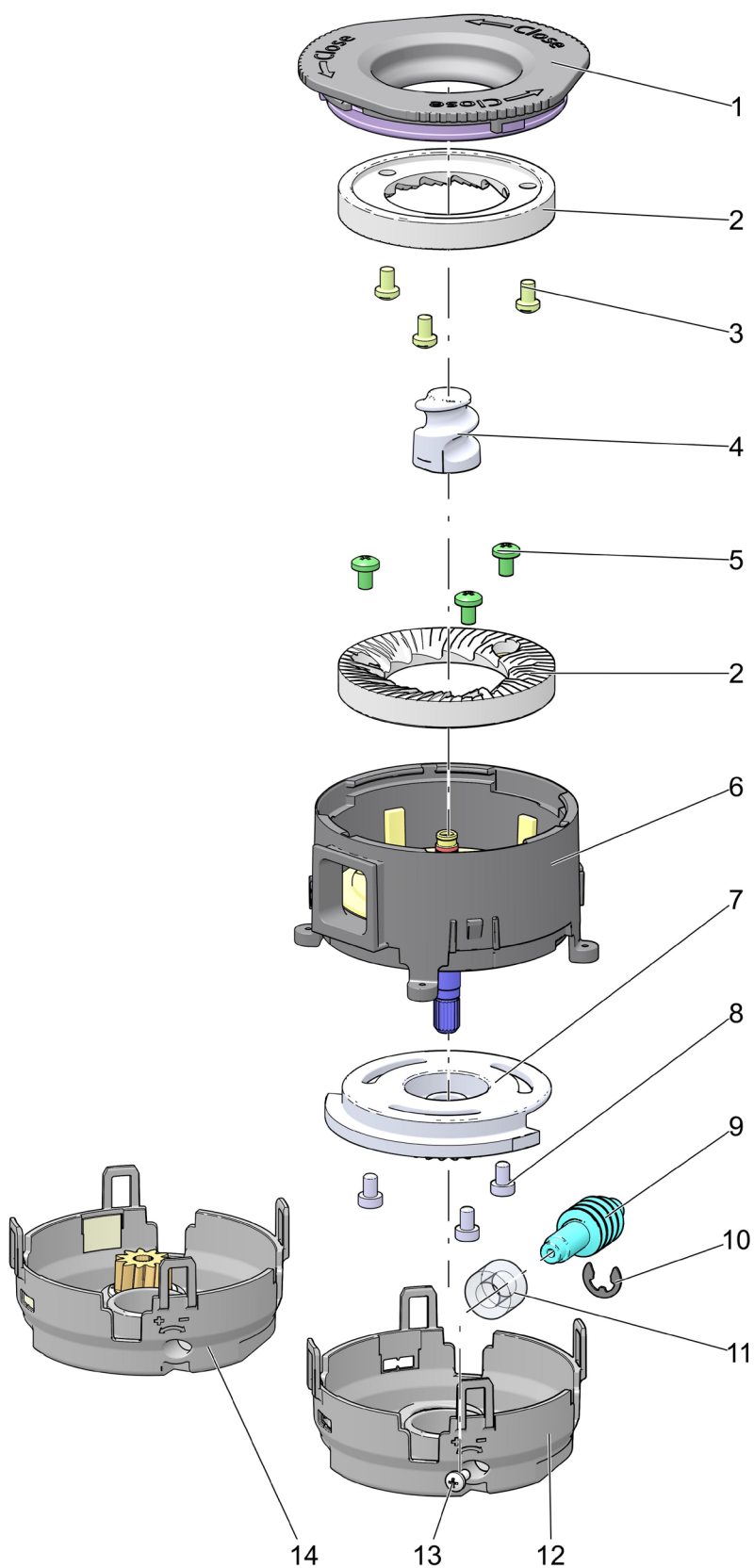
- Part numbers marked with "SE" are Service parts Engineer stock
- Part numbers marked with "SW" are Service parts Warehouse stock
- Part numbers marked with "n/a" are Not Available as spare part
- De Jong Duke recommends to have service parts available locally (SW) or as car stock (SE).

7103-B



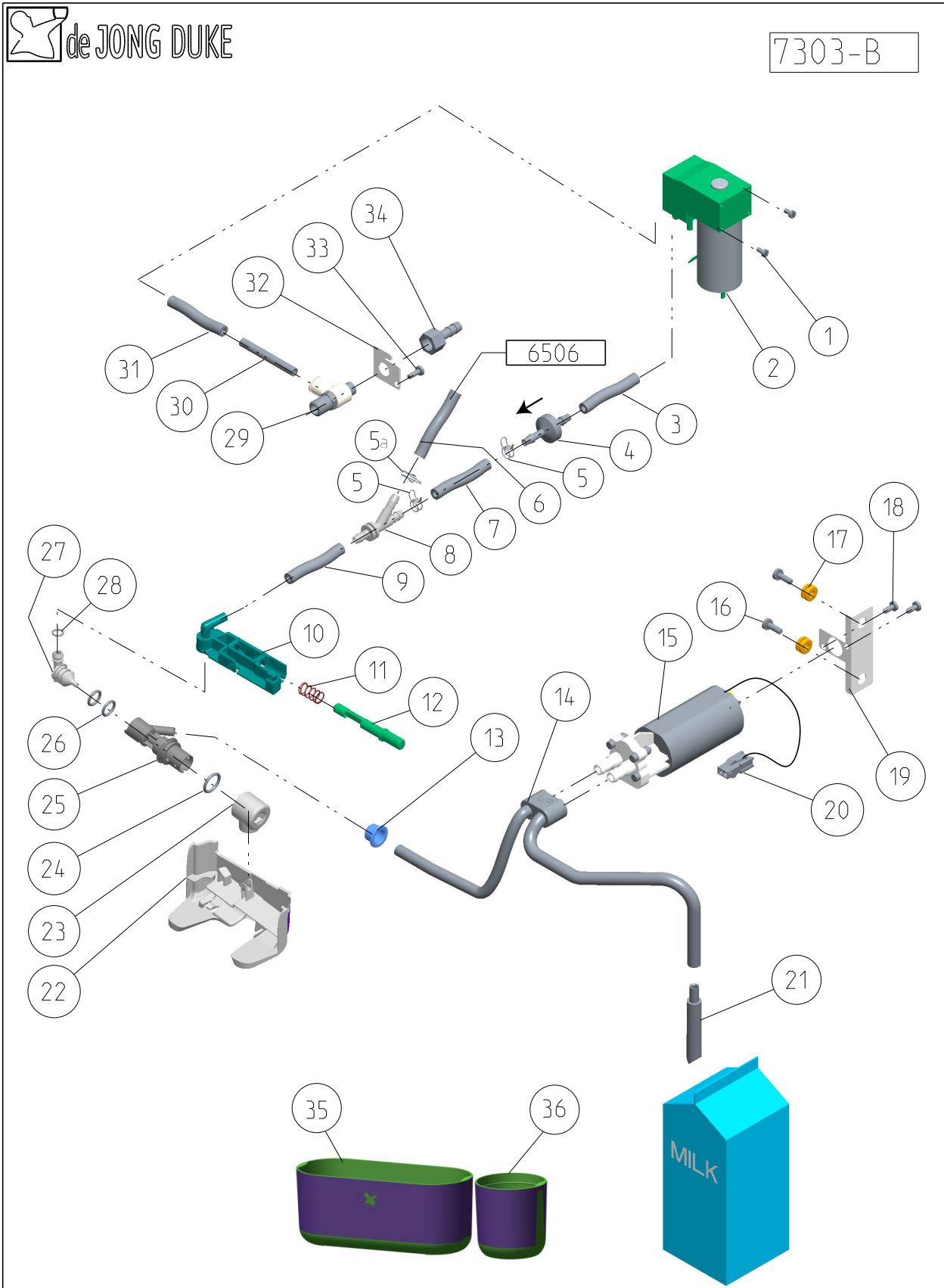
Drawing	Pos	S	Part Nr	Qty	Spare Part Description
					REFERENCES
7104					Refer to drawing: 7104 D-grinder
					SETS
7103-B		SW	9GES120		Set of 2 D-Grinder discs <i>no screws included</i>
7103-B			6KGR007		D-Grinder with motor - manual adjustment <i>with item 01 and 09</i>
7103-B			9GES121		D-Grinder complete with motor and frame - manual adjustment <i>with items 01 - 04, 08 - 17 except item 14</i>
					PARTS
7103-B	01		9GES038	1	D-Grinder only - manual adjustment <i>with item 14</i>
7103-B	02		4BSC022	7	Screw 3,5x9,5
7103-B	03		5KBN027	1	D-Grinder base
7103-B	04		5MBN006	1	D-Grinder frame <i>(T0 and T1 models only)</i>
7103-B	05		5MBN013	1	D-Grinder mounting bracket Nio double bean canister
7103-B	06		5MBN012	1	D-Grinder mounting bracket Nio 2 bean canister
7103-B	07		5MBN011	1	D-Grinder mounting bracket Nio 1 bean canister
7103-B	08		6CKB533	1	D-Grinder cable
7103-B	09		n/a	1	D-Grinder motor and gear box <i>only available as set, see above</i>
7103-B	10		5KBN041	1	Outlet guide <i>(T0 and T1 models only)</i>
7103-B	11		4BSC055	1	Screw 3.5x10 (stainless steel)
7103-B	12		4BPR004	3	Washer M3 <i>only used in production with item 13 - 4BMZ051</i>
7103-B	13		4BMZ051	3	Acorn nut M3
7103-B	13		5BMZ002	3	Acorn nut M3 - long tread
7103-B	14		5MBN007	1	D-Grinder filler plate
7103-B	15		5KBN028	1	Outlet
7103-B	16		5KBN029	1	Outlet cap
7103-B	17		9DCN097	1	D-Grinder outlet adapter set complete

7104-B



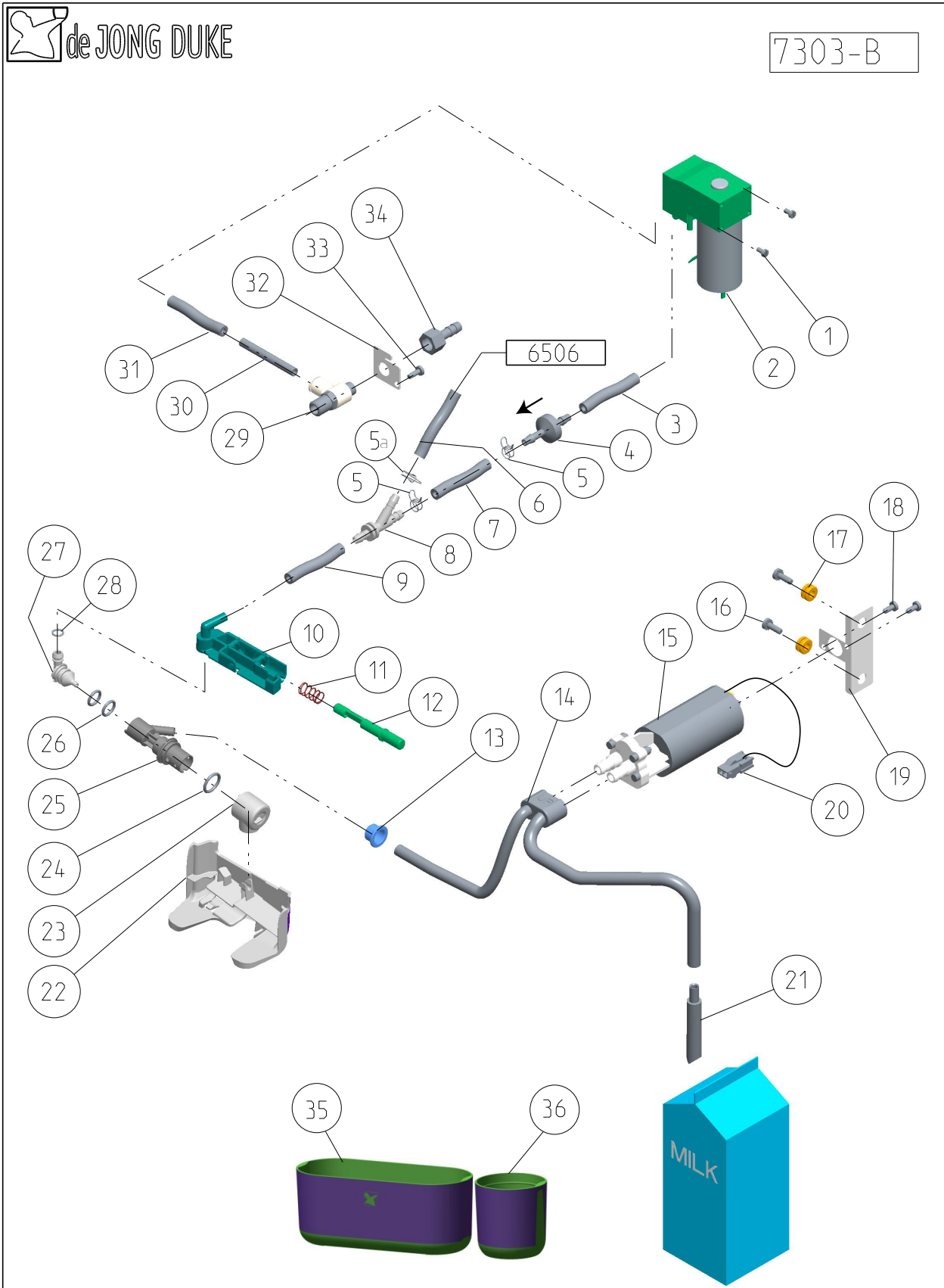
<i>Drawing</i>	<i>Pos</i>	<i>S</i>	<i>Part Nr</i>	<i>Qty</i>	<i>Spare Part Description</i>
					SETS
7104-B		SW	6KGR007		D-Grinder with motor, no frame, manual adjustment version <i>(see drawing 7103)</i>
7104-B		SW	9GES038		D-Grinder only - manual adjustment version <i>with items 1-12</i>
7104-B		SW	9GES120		Set of 2 grinder discs <i>no screws included</i>
					PARTS
7104-B	01		n/a	1	Grinder Bayonet cover
7104-B	02		n/a	2	D-grinder disc - see set above
7104-B	03		n/a	3	Screws upper disc
7104-B	04		n/a	1	Auger
7104-B	05		n/a	3	Screws lower disc
7104-B	06		n/a	1	Grinder house
7104-B	07		n/a	1	Grinder adjustment wheel
7104-B	08		n/a	3	Screws adjustment wheel
7104-B	09		n/a	1	Adjustment wheel worm
7104-B	10		n/a	1	Circlip ring
7104-B	11		6XSL001	1	Adjustment wheel worm sleeve <i>(4XSL054 L=11mm)</i>
7104-B	12		n/a	1	Grinder Adjustment cover - manual version
7104-B	13		n/a	1	Grinding degree adjustment screw
7104-B	14		n/a	1	Grinder Adjustment cover - electric version
HISTORY					

- Part numbers marked with "SE" are Service parts Engineer stock
- Part numbers marked with "SW" are Service parts Warehouse stock
- Part numbers marked with "n/a" are Not Available as spare part
- De Jong Duke recommends to have service parts available locally (SW) or as car stock (SE).



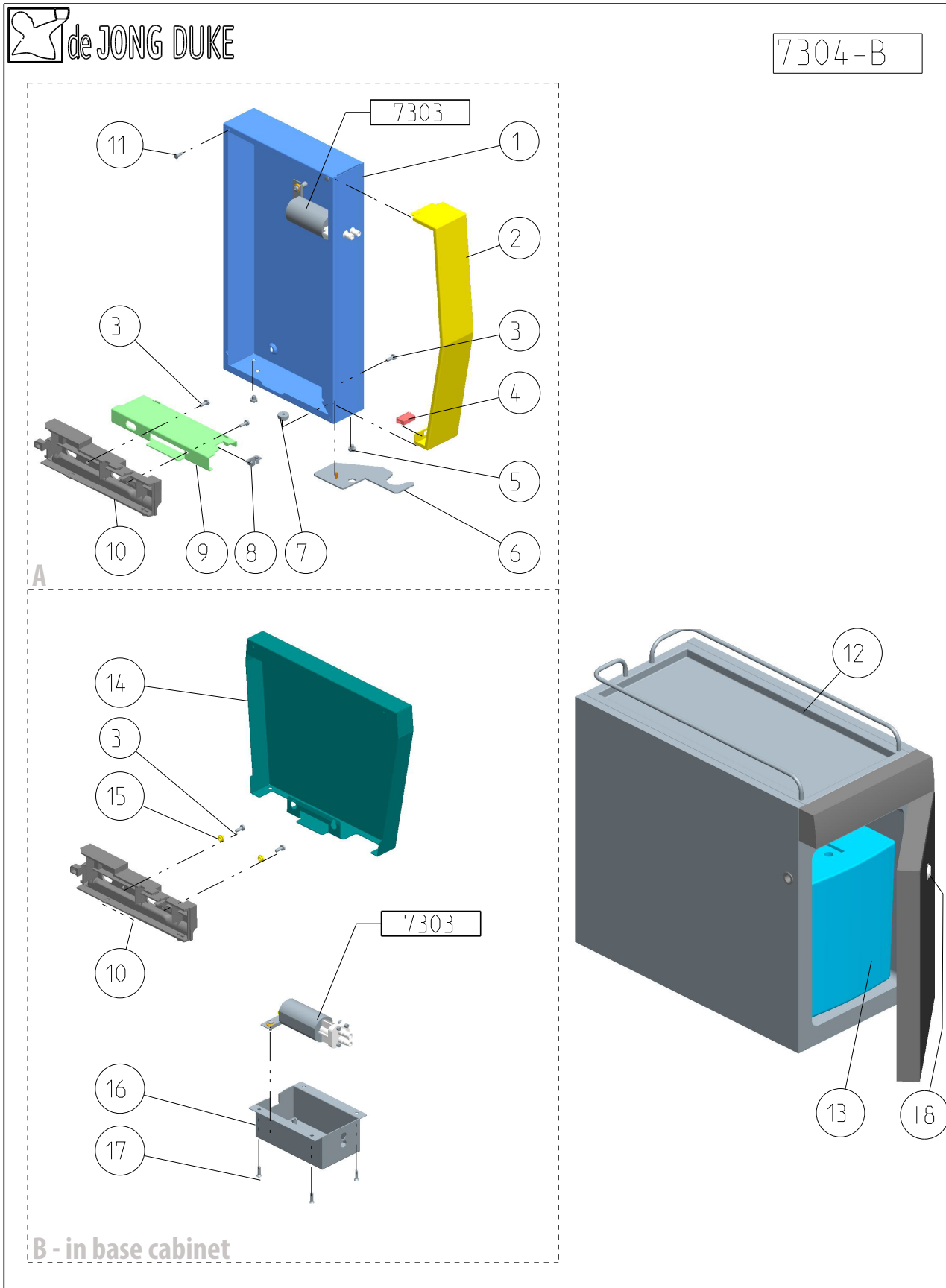
Drawing	Pos	S	Part Nr	Qty	Spare Part Description
6506					Refer to drawing 6506: Steam Boiler Nio
7303-B		SW	6VUL129		Fresh milk frother assembly <i>with items 23, 24, 25, 26,27,28</i>
7303-B	01		4BBC003	2	Bolt M3x6
7303-B	02	SE	4EMT034	1	Air pump
7303-B	03	SE	4XSL049	1	Tube 3x7mm Transparent 18cm
7303-B	04	SE	4KVL028	1	Non return valve
7303-B	05	SE	4MVR015	2	Tube clamp 8.3 - 8.8mm
7303-B		SE	4MVR017	1	Tube clamp 9.3 - 9.9mm
7303-B	06	SE	4XSL046	1	Tube 4x8mm Transparent 23cm
7303-B	07	SE	4XSL049	1	Tube 3x7mm Transparent 4.5cm
7303-B	08		5KVL084	1	Y-connection with flange Ø3,8
7303-B	09	SE	4XSL046	1	Tube 4x8mm Transparent 31cm
7303-B	10	SW	5KVL078	1	Fresh milk release
7303-B	11	SE	4MVR014	1	Fresh milk release spring
7303-B	12	SW	5KVL083	1	Fresh milk release pen
7303-B	13		4KLG014	1	Fresh milk tube bearing
7303-B	14	SE	5RSL015	1	Fresh milk tube
7303-B	15	SE	4EMT035	1	Fresh milk pump
7303-B	16	SE	4BBK032	2	Bolt with lock washer M4x12
7303-B	17		4RDT013	2	Cable grommet double flange 5x11x6
7303-B	18		4BSC005	2	Sheet metal screw 3.5 x 9.5
7303-B	19		5MPL238	1	Fresh milk pump mounting profile
7303-B	20		6CKB507	1	Fresh milk pump cable
7303-B	21		5MVL215	1	Fresh milk tube inlet restriction
7303-B	22	SW	5KVL079	1	Back cover of adjustable dispense head
7303-B	23	SW	5KVL080	1	Fresh milk outlet
7303-B	24	SW	4ROR024	1	Fresh milk frother O-ring black
7303-B	25	SW	5KVL081	1	Fresh milk frother
7303-B	26	SW	4ROR023	2	Fresh milk frother O-ring red
7303-B	27	SW	5KVL082	1	Steam inlet
7303-B	28	SW	4ROR030	1	Steam inlet O-ring red
7303-B	29		4MVL014	1	Air regulator G1/8
7303-B	30	SE	4XSL035	1	Pressure tube 6mm 3cm
7303-B	31	SE	4XSL001	1	Tube 4x8mm Grey 23cm

- Part numbers marked with "SE" are Service parts Engineer stock
- Part numbers marked with "SW" are Service parts Warehouse stock
- Part numbers marked with "n/a" are Not Available as spare part
- De Jong Duke recommends to have service parts available locally (SW) or as car stock (SE).



Drawing	Pos	S	Part Nr	Qty	Spare Part Description
7303-B	32		5MPL239	1	Air regulator bracket
7303-B	33		4BSC022	1	Cutting screw 3.5x9.5
7303-B	34	SW	4MPF047	1	Tube pilar G1/8" P-inw messing
7303-B	35	SW	5KAF132	1	Rinsing tub
7303-B	36	SW	5KAF133	1	Measuring cup 500ml
HISTORY					
7303-B	29	SW	4MVL008	1	Air regulator G1/8 <i>replaced by 4MVL014 from 2014.44.xxxx.001</i>

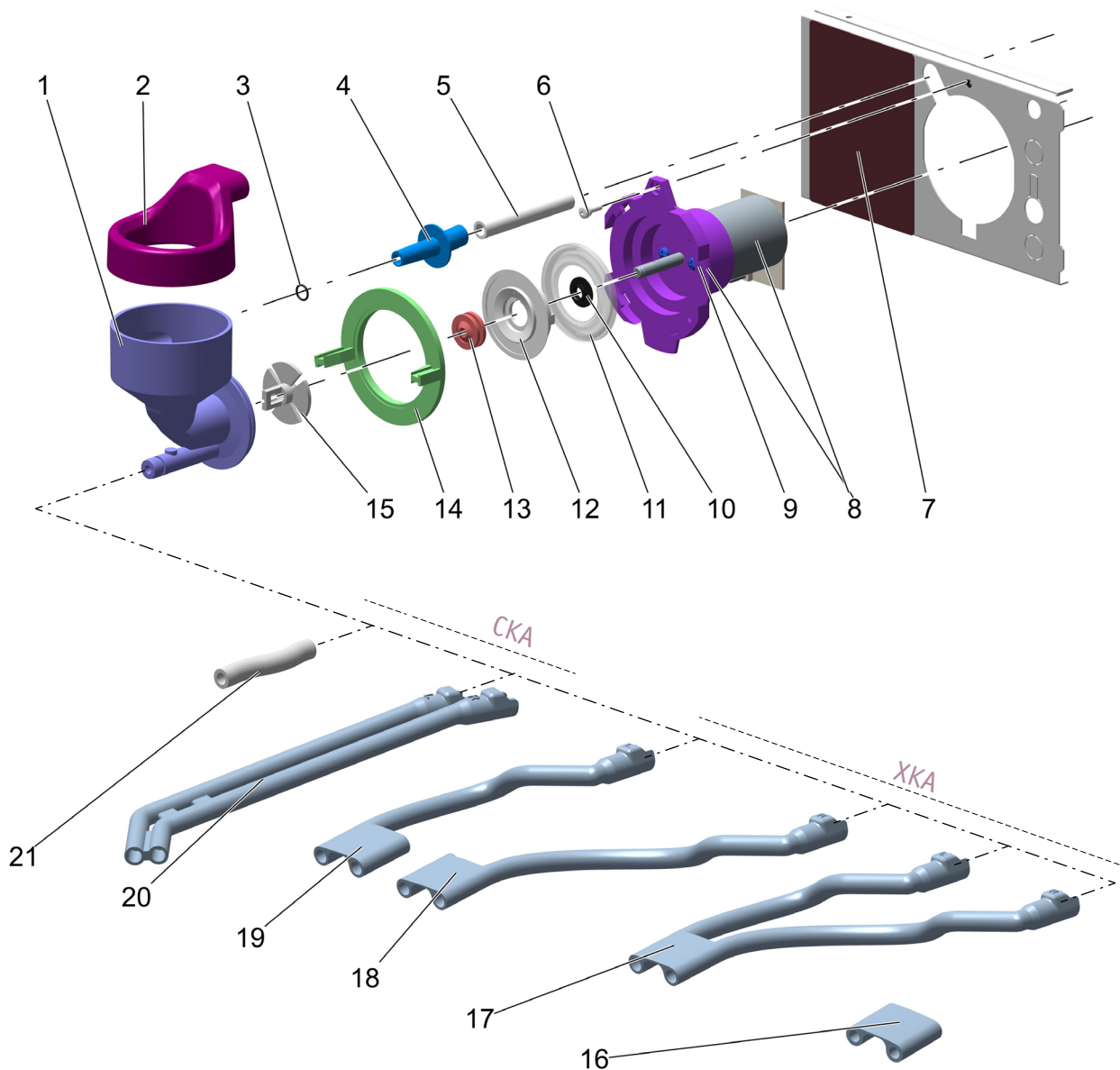
- Part numbers marked with "SE" are Service parts Engineer stock
- Part numbers marked with "SW" are Service parts Warehouse stock
- Part numbers marked with "n/a" are Not Available as spare part
- De Jong Duke recommends to have service parts available locally (SW) or as car stock (SE).



Drawing	Pos	S	Part Nr	Qty	Spare Part Description
7303					Refer to drawing 7303: Fresh Milk Pump Nio
7304-B	A		9VKS021		Fresh milk pump assembly <i>with items 1, 2, 3, 4, 6, 9 and parts in drawing 7303</i>
7304-B	B		9VKS023		Fresh milk pump assembly (in base cabinet) <i>with items 3, 14, 15, 16 and parts in drawing 7303</i>
7304-B	01		5MBH427	1	Fresh milk pump cabinet tabletop
7304-B	02		5MBH428	1	Cover plate for milk tubes
7304-B	03		4BBK032	4	Bolt with lock washer M4x12
7304-B	04		4MMG003	1	Magnet latch
7304-B	05		4BKL039	2	Click nail 9.8x3.6
7304-B	06		5MPL240	1	Refrigerator positioning profile
7304-B	07		4BMV007	1	Knurled nut
7304-B	08		4BKM053	1	Cable clamp plate frame
7304-B	09		5MPL237	1	Mounting profile
7304-B	10		5KBH035	1	Door plinth block right FM
7304-B	11		4BKL025	2	Pushpin 3.5 D=7.6 L=13
7304-B	12		4INF020	1	Milk refrigerator (7,5 liters) with cup heater 230V
7304-B	13		4INF023	1	Milk bucket (4 liters)
7304-B	14		5MBH429	1	Milk tube cover
7304-B	15		5MLG001	2	Bearing
7304-B	16		5MBH439	1	Fresh milk pump cabinet concealed
7304-B	17		4BSC043	4	Sheet metal screw 3.9x16
7304-B	18		4MHS043	1	Door lock with key <i>for glass door with code 520E170416C.041 (sticker inside)</i>
7304-B	18		4MHS046	1	Key for door lock 4MHS043
7304-B	18		4MHS050	1	Door lock with key <i>for laminated door with code 0940-0004 (sticker inside)</i>
7304-B	18		TBD	1	Key for door lock 4MHS050

- Part numbers marked with "SE" are Service parts Engineer stock
- Part numbers marked with "SW" are Service parts Warehouse stock
- Part numbers marked with "n/a" are Not Available as spare part
- De Jong Duke recommends to have service parts available on local (SW) or car (SE) stock.

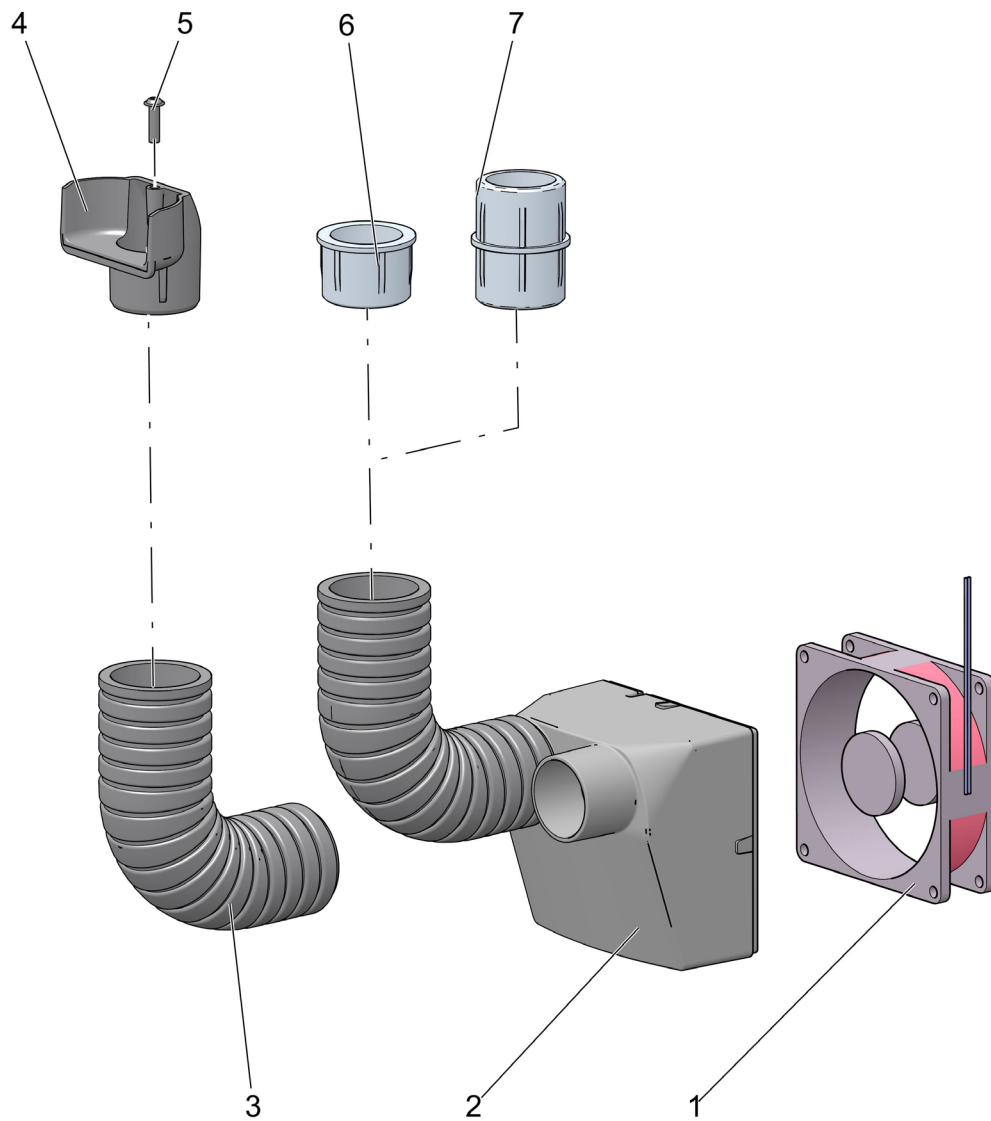
7505-B



Drawing	Pos	S	Part Nr	Qty	Spare Part Description
7505-B	01		4KMX034	1	Mixer house
7505-B	02	SE	5KMX004	1	Steam trap / suction
7505-B	03	SE	4ROR031	1	O-ring water inlet
7505-B	04	SE	9XMM004	1	Water inlet <i>including O-ring (pos 3)</i>
7505-B	05	SE	4XSL002	1	Tube 6x10
7505-B	06		4BBK040	1	Bolt with lock washer M3x10
7505-B	07		5KFR006	1	Cover plate mixer hole
7505-B	08	SE	6ZBR097	1	Mixer motor <i>including base plate 4KMX041</i>
7505-B	09		4KMX041	1	Base plate for mixer motor
7505-B	10		5KMX005	1	Water blocking ring
7505-B	11	SE	4KMX037	1	Mixer cover ring
7505-B	12	SE	4KMX038	1	Mixer cover plate
7505-B	13	SE	4RVA002	1	Mixer seal
7505-B	14		4KMX033	1	Mixer bayonet catch
7505-B	15		4KMX035	1	Mixer propeller
7505-B	16		6VUL140	1	Coffee hose retainer <i>9XKA if no mixers are installed</i>
7505-B	17		5RSL023	1	Dual mixer outlet tube <i>9XKA for double mixer</i>
7505-B	18		6VUL141	1	Single mixer outlet tube <i>9XKA for single mixer right</i>
7505-B	19		6VUL142	1	Single mixer outlet tube <i>9XKA for single mixer left</i>
7505-B	20	SW	5RSL011	1	Dual mixer outlet tube <i>9CKA - splittable for single and double mixer</i>
7505-B	21	SE	4XSL002	1	Tube 6x10mm Grey <i>9CKA for single mixer</i>
					HISTORY
7505-B	10		4KMX006	1	Mixer disc <i>Replaced by 5KMX005 from S/N 2016.19.xxxx.001</i>

- Part numbers marked with "SE" are Service parts Engineer stock
- Part numbers marked with "SW" are Service parts Warehouse stock
- Part numbers marked with "n/a" are Not Available as spare part
- De Jong Duke recommends to have service parts available on local (SW) or car stock (SE).













7603-B



Drawing	Pos	S	Part Nr	Qty	Spare Part Description
7603-B	01	SW	4EVT004	1	Fan motor 24V
7603-B	02		5KAF115	1	Fan housing
7603-B	03		4XSL030	2	Hose black Di=32mm L=34cm
7603-B	04		5KPF075	1	Suction nozzle for Nio
7603-B	05		4BSC036	1	Screw Torx 3.5x13.5
7603-B	06		5KPF076	1	Adaptor suction hose for Nio with D-grinder
7603-B	07		5KPF002	1	Adaptor straight D=32 mm for Nio with S-grinder




- Part numbers marked with "SE" are Service parts Engineer stock
- Part numbers marked with "SW" are Service parts Warehouse stock
- Part numbers marked with "n/a" are Not Available as spare part
- De Jong Duke recommends to have service parts directly available on local or car stock.

Tool List General


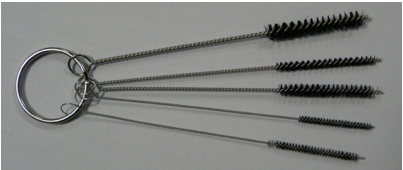



Picture	Part Nr	Description
 	n/a	EN Flat screwdriver
		DE Schlitz Schraubendreher
		NL Platte schroevendraaier
		0.5 / 3.0 / 10 mm
		0.8 / 4.0 / 20 mm
 	n/a	EN Philips screwdriver
		DE Kreuzschlitzschraubendreher
		NL Kruiskop schroevendraaier
		3.5 / 10 mm
 	n/a	EN Torx screwdriver
		DE Torx Schraubendreher
		NL Torx schroevendraaier
		Torx 15, 22 mm
 	n/a	EN Socket screwdriver
		DE Steck Schlüsseldreher
		NL Dopsleutel
		07 / 15 mm
	n/a	EN Combination plier
		DE Kombinations-Zange
		NL Combinatietang
	n/a	EN Slip Joint Plier
		DE Wasserpumpen-Zange
		NL Waterpomptang
	n/a	EN Side Cutter
		DE Seiten Schneider
		NL Zijknijptang
	n/a	EN Knife
		DE Stanley Messer
		NL Stanleymes

Picture	Part Nr	Description	
	n/a	EN	Multimeter
		DE	Multimeter
		NL	Multimeter
	4HLP148	EN	Tube cutter
		DE	Schlauch abschneider
		NL	Slangknipper voor drukslang
	4HLP142	EN	Extraction tool <i>Mini Fit JR, 011030044</i>
		DE	Demontage Werkzeug <i>Mini Fit JR, 011030044</i>
		NL	Extraction tool <i>Mini Fit JR, 011030044</i>
	n/a	EN	Unlocking tool <i>John Guest ICLT/2</i>
		DE	Spann- und Lösehilfe <i>John Guest ICLT/2</i>
		NL	Slang-ontkoppel-set <i>John Guest ICLT/2</i>
	n/a	EN	Electrostatic discharge (ESD) wrist strap
		DE	Electrostatische Entladungen (ESD) Handgelenkband
		NL	Elektrostatische ontlading (ESD) polsband

Tool List for machines with UNI-brewer

Picture	Part Nr	Description	
	n/a	EN	Spanner Wrench
		DE	Ring-Maulschlüssel
		NL	Steeksleutel
			7 mm / 13 mm / 15 mm
	n/a	EN	Punch
		DE	Splinttreiber
		NL	Drevel
			3 mm
			5 mm
	n/a	EN	Torgue wrench / screwdriver 1,8N/m
		DE	Torgue Schraubenschlüssel / Schraubendreher 1,8 N/m
		NL	Moment sleutel / schroevendraaier 1,8 N/m

Tool List for machines with CoEx (XL) brewers

Picture	Part Nr	Description	
	4HLP132	EN	Filter head cleaner
		DE	Filter Kopf Putzer
		NL	Filterkop reiniger
	4HLP143	EN	CoEx outlet cleaner brush
		DE	CoEx Ausgabe Reinigungsbürste
		NL	CoEx uitgifte reinigingsborstel
	4HLP157	EN	Spanner wrench 14mm <i>Modified for sensor cable</i>
		DE	Schlüssel 14mm <i>Für Sensorkabel modifiziert</i>
		NL	Ringsleutel 14mm <i>Aangepast voor sensor kabel</i>
	n/a	EN	Allen Wrench / Hex key 5 mm <i>For new banjo bolts</i>
		DE	Innensechkant-schlüssel 5 mm <i>Für neue Banjobolzen</i>
		NL	Inbussleutel 5 mm <i>Voor nieuwe banjo bouten</i>
	9VDG001 9VDG002	EN	Pressure-gauge
		DE	Druckmesser
		NL	Manometer
			0 - 2 bar 0 - 16 bar

Disclaimer Manufacturer

Although this manual has been put together with the utmost care, J.M. de Jong DUKE automatenfabriek b.v. accepts no liability for inaccuracies or omissions. No liability is accepted for the consequences arising from operation of the equipment in accordance with the information contained in this manual.

J.M. de Jong DUKE automatenfabriek b.v. reserves the right to alter specifications at any time and without prior notification to the purchaser.

All rights reserved.

Copyright

J.M. de Jong DUKE automatenfabriek b.v. © 2025

The contents of this manual are copyrighted. Texts, images, and source files may only be used for professional purposes.





No part of this guide may be reused, modified, or published without the prior written permission of the manufacturer.

Printing pages is allowed only for professional use.

Manufacturer






De Jong DUKE
Postbus 190
3360 AD SLIEDRECHT
The Netherlands

 +31 (0)184 209 767 (sales)
 +31 (0)184 209 609 (support)
 www.dejongduke.nl
 spareparts@dejongduke.nl
 support@dejongduke.nl



De Jong DUKE North America
12680 Delta Street
Taylor, MI, 48180
U.S.A.

 +1 734 403 1708
 www.dejongduke.com
 support@dejongduke.com

