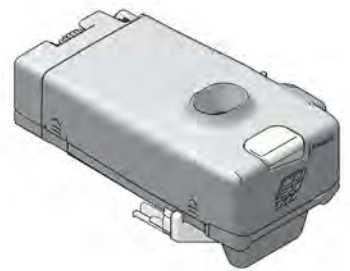


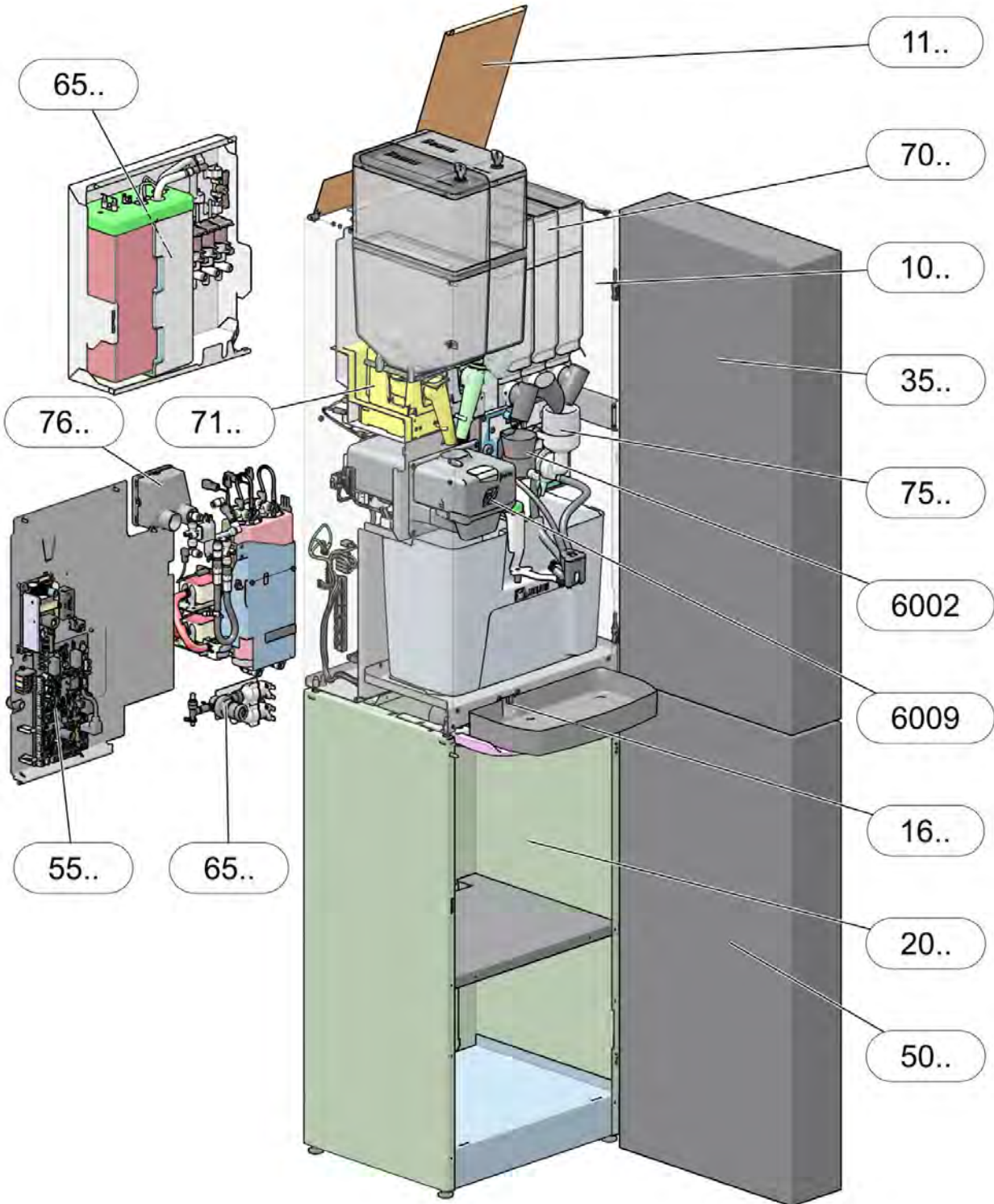
# Lua

## Spare Parts Manual Coffee Machine Lua 1900-0 series

9XEAS with CoEx XL Brewer



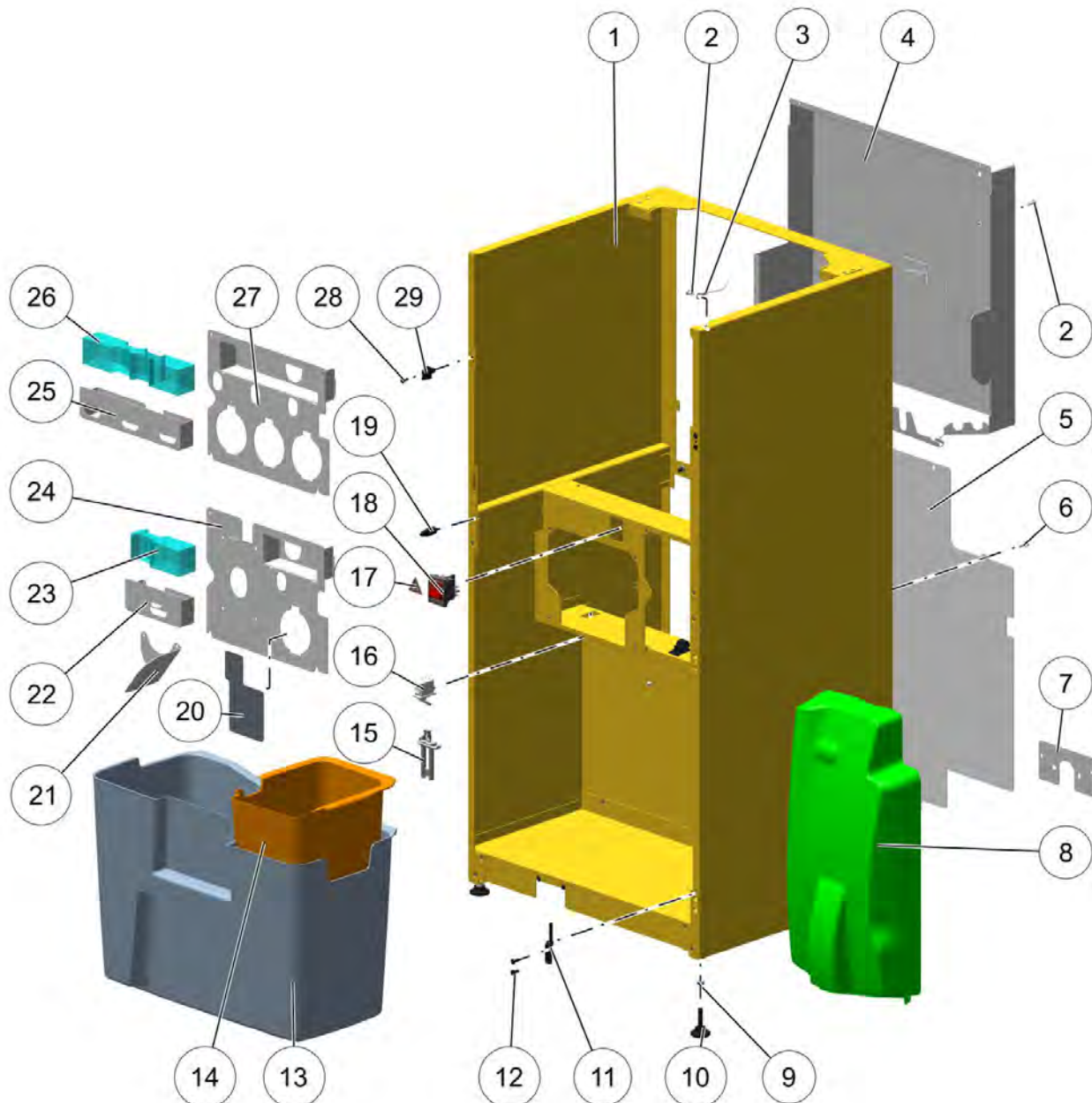
0516-A



***Table of Contents***

0516 Overview 9XEA - Lua 1900-0 .....	2
1022 Cabinet 9XEA .....	4
1603 Drip tray Sensor .....	6
2001 Base Cabinet Medium .....	8
3528 Door Lua Medium .....	10
4017 Display Lua Medium .....	14
4307 Cup Stand .....	16
4516 Coin Acceptor in Door .....	18
4515 Payment Unit .....	20
5007 Base Cabinet Door Medium .....	24
5518 MoVeC ICEQ IOB and PSU (CoExXL) .....	26
5519 MoVeC ICEQ3 Controller Board .....	28
6002 Tea Brewer .....	30
6006 CoEx XL Brewer Overview .....	34
60061 CoEx XL Mounting Frame .....	36
60062 CoEx XL Brewer .....	38
6109 CoEx XL outlets .....	40
6503 Pressure Boiler PPSU 9XEA .....	42
6507 Open Boiler XEA Overview .....	46
65071 Open Boiler Lid XEA .....	48
65072 Open Boiler Vessel XEA .....	50
6608 Valves PPSU 9XEA .....	52
7010 Canister Complete 9XEA .....	54
70101 Canister Body .....	62
70102 Canister Wheel and Spring .....	64
70103 Canister Base .....	66
7015 Bean Canister .....	68
7103 D-Grinder Assembly .....	70
7104 D-Grinder .....	72
7503 Mixer System .....	74
7603 Fan 9XNA-9XEA .....	76
9000 Recommended Tools .....	78
Disclaimer .....	82

1022-A

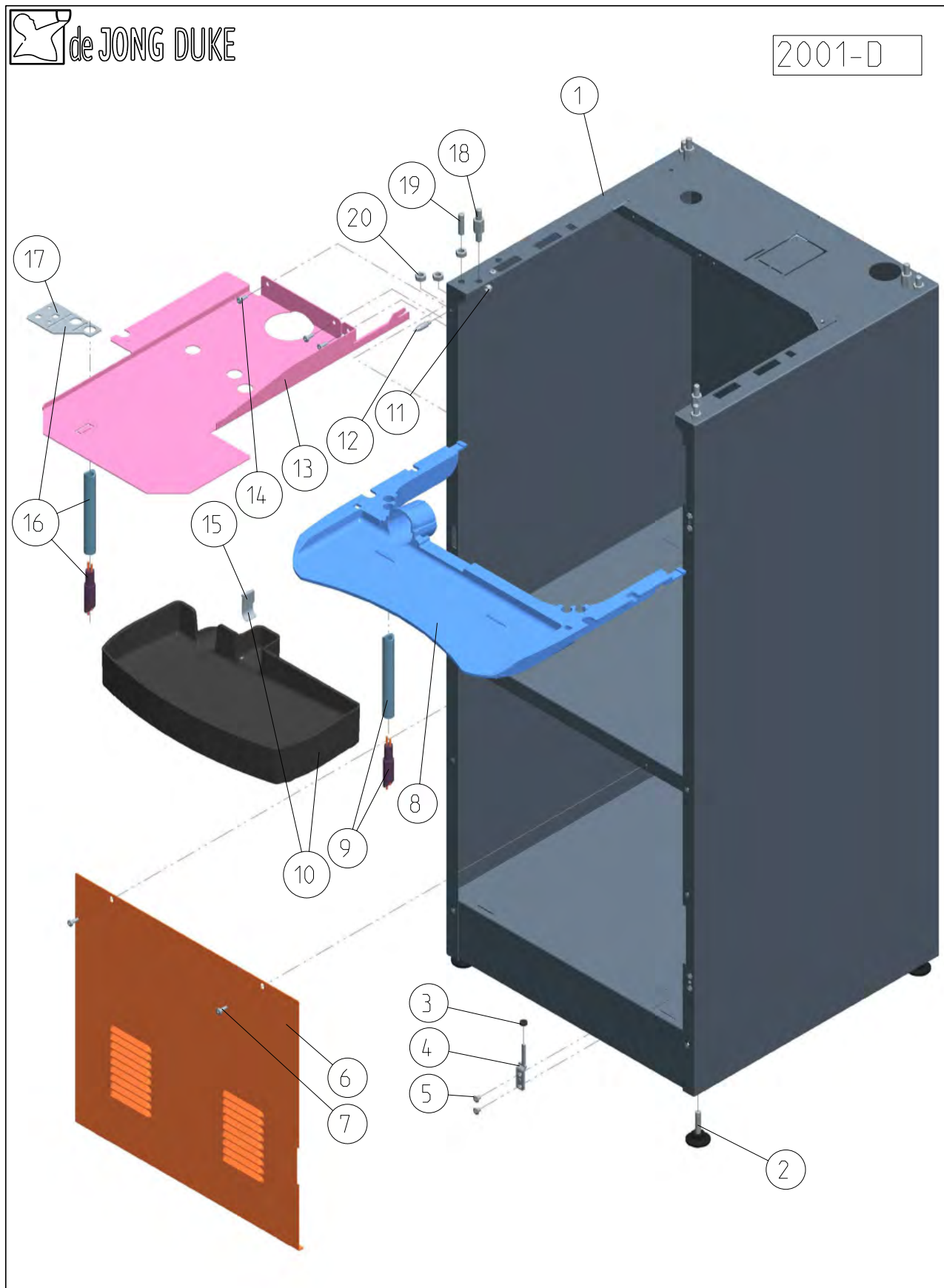


<i>Drawing</i>	<i>Pos</i>	<i>S</i>	<i>Part Nr</i>	<i>Qty</i>	<i>Spare Part Description</i>
1022-A	01		6HKA098	1	Cabinet 9XEA model
1022-A	02		4BSC022	8	Cutting screw 3.5x9.5
1022-A	03		KA338	1	Ground wire
1022-A	04		5MBH489	1	Backplate top for boiler
1022-A	05		5MBH492	1	Lower backplate
1022-A	06	SE	4BBK032	4	Bolt M4x12
1022-A	07		5MVL082	1	Fixing plate inlet valve
1022-A	08		5KAE006	1	Cover IOB and Power Supply
1022-A	09		4KAB008	4	Spacer 6.2x10x5
1022-A	10		KA23	4	Feet
1022-A	11		5MHS015	2	Hinge
1022-A	12		4BBK011	4	Bolt M4x10
1022-A	13		5KAF150	1	Waste bucket CoExXL brewer 9XEA
1022-A	14		5KAF137	1	Drip tray under CoExXL brewer
1022-A	15		5RVA027	1	Sensor - Internal Drip tray full
1022-A	16		4ESK041	1	Waste bucket detector switch
1022-A	17		5TAB020	1	Sticker Electrical / Safety
1022-A	18	SW	4ESK020	1	Main switch 16A + red led
1022-A	19		5MDF032	1	Door pin Torx
1022-A	20		5KFR041	1	Cover plate mixer mounting
1022-A	21		5MAF118	1	Tea residu guide
1022-A	22		5MAF117	1	Suction filter drawer short
1022-A	23		TBD	1	Suction filter short
1022-A	24		5MMX060	1	Mixer mounting bracket 9XEA mixer + tea brewer
1022-A	25		5MAF119	1	Suction filter drawer long
1022-A	26		TBD	1	Suction filter long
1022-A	27		5MMX062	1	Mixer mounting bracket 9XEA for mixer(s)
1022-A	28		4BSC052	1	Screw 3,5x10 Tx15
1022-A	29	SW	5KDS039	1	Door Switch activator



<i>Drawing</i>	<i>Pos</i>	<i>S</i>	<i>Part Nr</i>	<i>Qty</i>	<i>Spare Part Description</i>
					<b>SETS</b>
1603-C		SW	6CSS060		Drip tray connector assembly <i>with items 3, 4, 5, 6</i>
1603-C		SW	6CSS067		Drip tray connector assembly Nio <i>with items 1, 2, 3, 4, 5, 6, 7, 8</i>
					<b>PARTS</b>
1603-C	01		5MAF101-RAL9005	1	Back bracket - powder coated <i>(Nio only)</i>
1603-C	02		4KBM053	1	Cable saddle edge mount <i>(Nio only)</i>
1603-C	03		6CKB456	1	Cable
1603-C	04		5KAF135	1	Sensor housing <i>NOTE: only use in combination with 5MVR046</i>
1603-C	05		5MVR046	1	Connector clip <i>NOTE: only use in combination with 5KAF135</i>
1603-C	06		5MVR030	2	Side spring connector
1603-C	07		4BSC036	2	Screw torx 3.5x13.5
1603-C	08		5MVL214	1	Front bracket <i>(Nio only)</i>
					<b>HISTORY</b>
1603-B		SW	<del>6CSS042</del>		Drip tray connector assembly <i>Replaced by 6CSS060 from S/N 2017.11.xxxx.001</i>
1603-B	01		5MAF101	1	Back bracket - untreated <i>Replaced by 5MAF101-RAL9005 from S/N 2020.04.6766.001</i>
1603-B	04		5KAF114	1	Sensor housing <i>Replaced by 5KAF135 from S/N 2017.11.xxxx.001</i>
1603-B	05		5MVR033	1	Connector clip <i>Replaced by 5MVR046 from S/N 2017.11.xxxx.001</i>

- Part numbers marked with "SE" are Service parts Engineer stock
- Part numbers marked with "SW" are Service parts Warehouse stock
- Part numbers marked with "n/a" are Not Available as spare part
- De Jong Duke recommends to have service parts available on local stock or car stock.

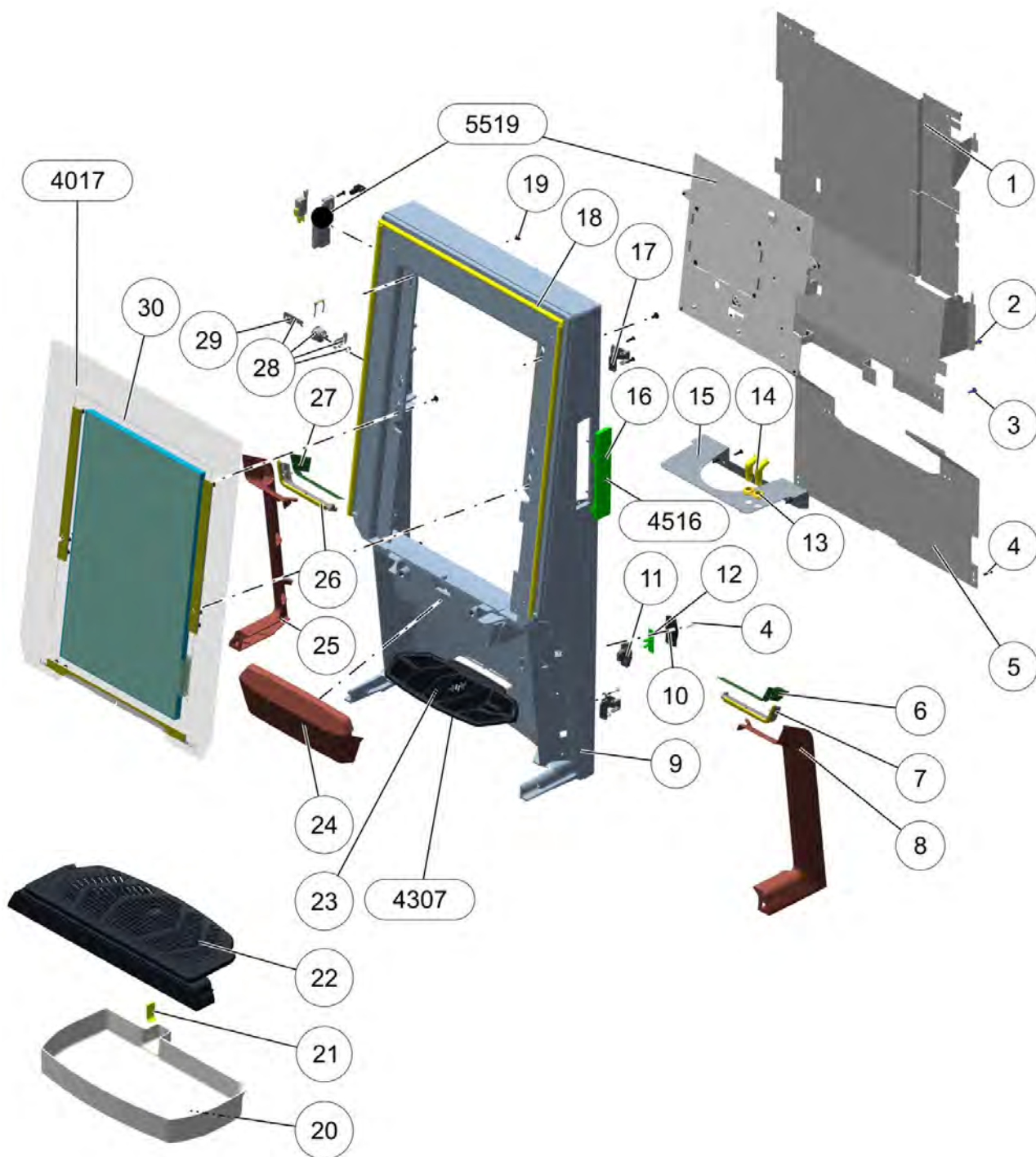




<i>Drawing</i>	<i>Pos</i>	<i>S</i>	<i>Part Nr</i>	<i>Qty</i>	<i>Spare Part Description</i>
2001-D	01		6HKA015-RAL9011		Base cabinet medium <i>for all medium models and Nio</i>
2001-D	02		KA23		Feet
2001-D	03		4KAB002		Distance holder 4.2x8x3
2001-D	04		5MHS015		Hinge
2001-D	05		4BBK011		Bolt M4x10
2001-D	06		5MPL151-KTL		Cover cooling unit in base-cabinet medium
2001-D	07		4BSC022		Cutting screw 3.5x9.5
2001-D	08		5KAF109		Drip tray Base plate medium <i>for Virtu (Varea/V'eco), Zia, Lua</i>
2001-D	09		6CSS043		Drip tray/waste bucket sensor with connector
2001-D	10		9AOV012		Drip tray drain set for base cabinet medium <i>for Virtu (Varea/V'eco), Zia, Lua</i>
2001-D	10		5KAF108		Drip tray Waste Guide medium <i>for Virtu (Varea/V'eco), Zia, Lua</i>
2001-D	11		4BMZ011		Nut Lock M4
2001-D	12		5MDF011		Door pin
2001-D	13		5MAF036	1	Base plate drip tray <i>for SiroTouch</i>
2001-D	14		4BSC022	3	Cutting screw 3.5x9.5
2001-D	15		5MVR031		Spring clip drip tray
2001-D	16		6CSS020		Water Sensor (Cpl. for Base cabinet) <i>for SiroTouch</i>
2001-D	17		5MPL088		Holder for sensor <i>for SiroTouch</i>
2001-D	18		5BBZ008	4	Distance holder <i>for 9FEC, 9INA, 9IEA, 9FND (S/N &lt; 2011.12.xxxx.xxx)</i>
2001-D	19		4BBY022	4	Distance holder screw M6x25
2001-D	20		4BMZ007	8	Nut M6

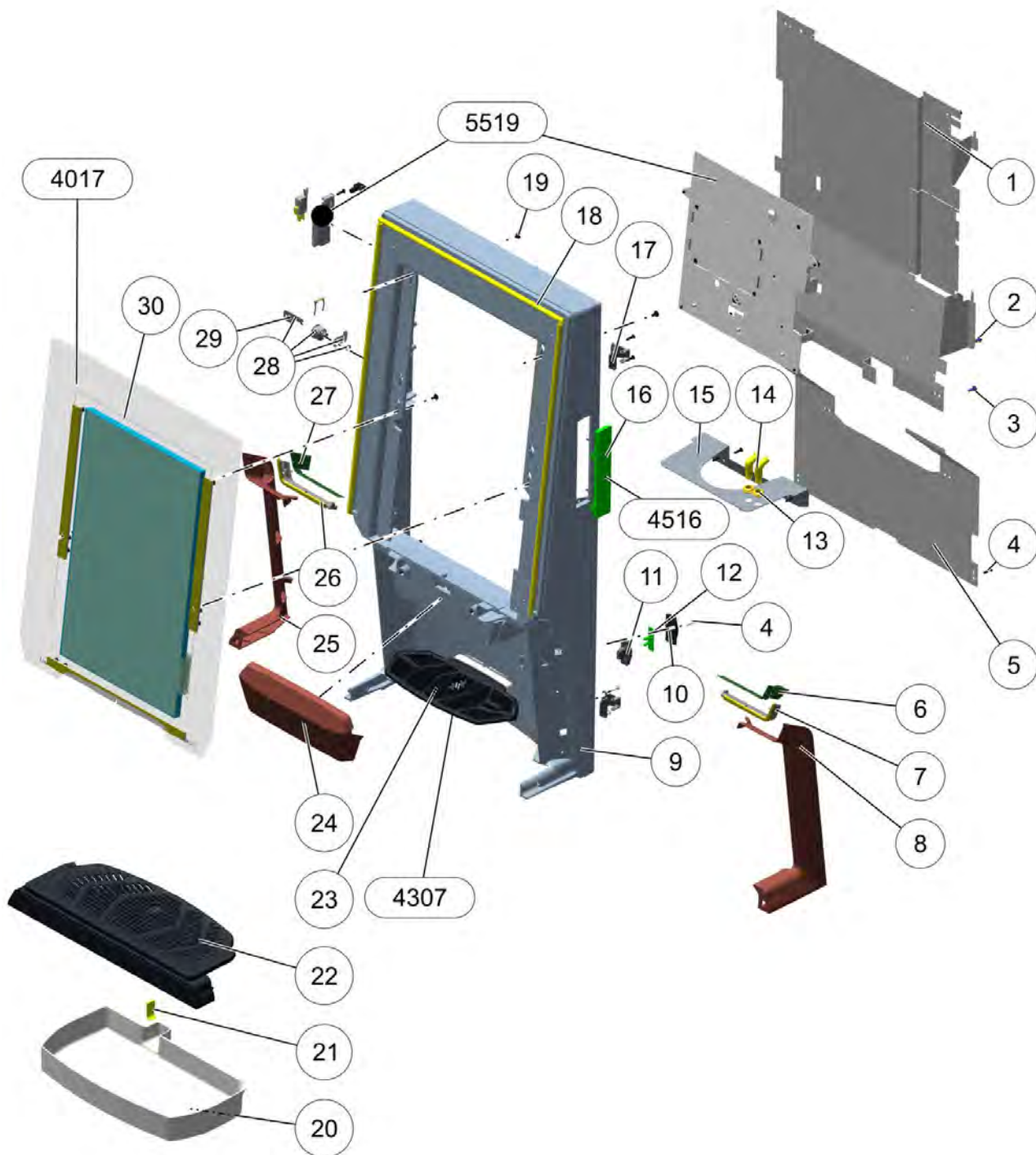
- Part numbers marked with "SE" are Service parts Engineer stock
- Part numbers marked with "SW" are Service parts Warehouse stock
- Part numbers marked with "n/a" are Not Available as spare part
- De Jong Duke recommends have service parts available on local stock or car stock.

3528-A



<i>Drawing</i>	<i>Pos</i>	<i>S</i>	<i>Part Nr</i>	<i>Qty</i>	<i>Spare Part Description</i>
					<b>REFERENCES</b>
4017					Refers to drawing 4017 - Display Lua Medium
5519					Refers to drawing 5519 - MoveC ICEQ3 Controller Board
4307					Refers to drawing 4307 - Cup stand
4516					Refers to drawing 4516 - Coin Acceptor
					<b>SETS</b>
		SW	6AOV030	1	Drip tray <i>with item 20 + 21</i>
		SE	6CSS052	1	Cup sensor complete <i>with item 10, 11 + 12</i>
					<b>PARTS</b>
3528-A	01		5MDR519	1	Inside cover plate top
3528-A	02		4BBK026		Bolt M4 x 12
3528-A	03		4BSC036		Screw torx 3.5x13.5
3528-A	04		4BSC036		Screw torx 3.5x13.5
3528-A	05		5MDR520	1	Inside cover plate bottom
3528-A	06		5EPR160	1	LED strip PCB front - right
3528-A	07		5KDR097	1	Light guide front - right
3528-A	08		5KDR103	1	C cover door right
3528-A	09		5KDR101	1	Door frame
3528-A	10		5KBK068	2	Cup sensor housing back
3528-A	11		5KBK067	2	Cup sensor housing front
3528-A	12		5EPR133	2	Cup sensor PCB
3528-A	13		4RDT010	2	Cable grommet 10x12x18 for 2mm plate
3528-A	14	SE	5KVL022	2	Outlet knee (107 grd d=10)
3528-A	15		5MDR521	1	Water outlet plate
3528-A	16		5KDR041	1	Cover coin acceptor cut-out
3528-A	17		5MHS012	2	Door hinge
3528-A	18		4XBD006	3	Adhesive foam rubber
3528-A	19		4BBK052	1	Button head screw M4x10
3528-A	20	SW	5KAF102	1	Drip tray
3528-A	21	SW	5MVR031	1	Spring clip - drip tray sensor
3528-A	22		5KAF153	1	Drip tray cover
3528-A	23		<i>TBD</i>	1	Cup stand (5KBK066+ 2x 5MMG001)
	24		5KDR104	1	Dispense head cover
3528-A	25		5KDR102	1	C cover door left
3528-A	26		5KDR096	1	Light guide front - left
3528-A	27		5EPR159	1	LED strip PCB front - left

3528-A



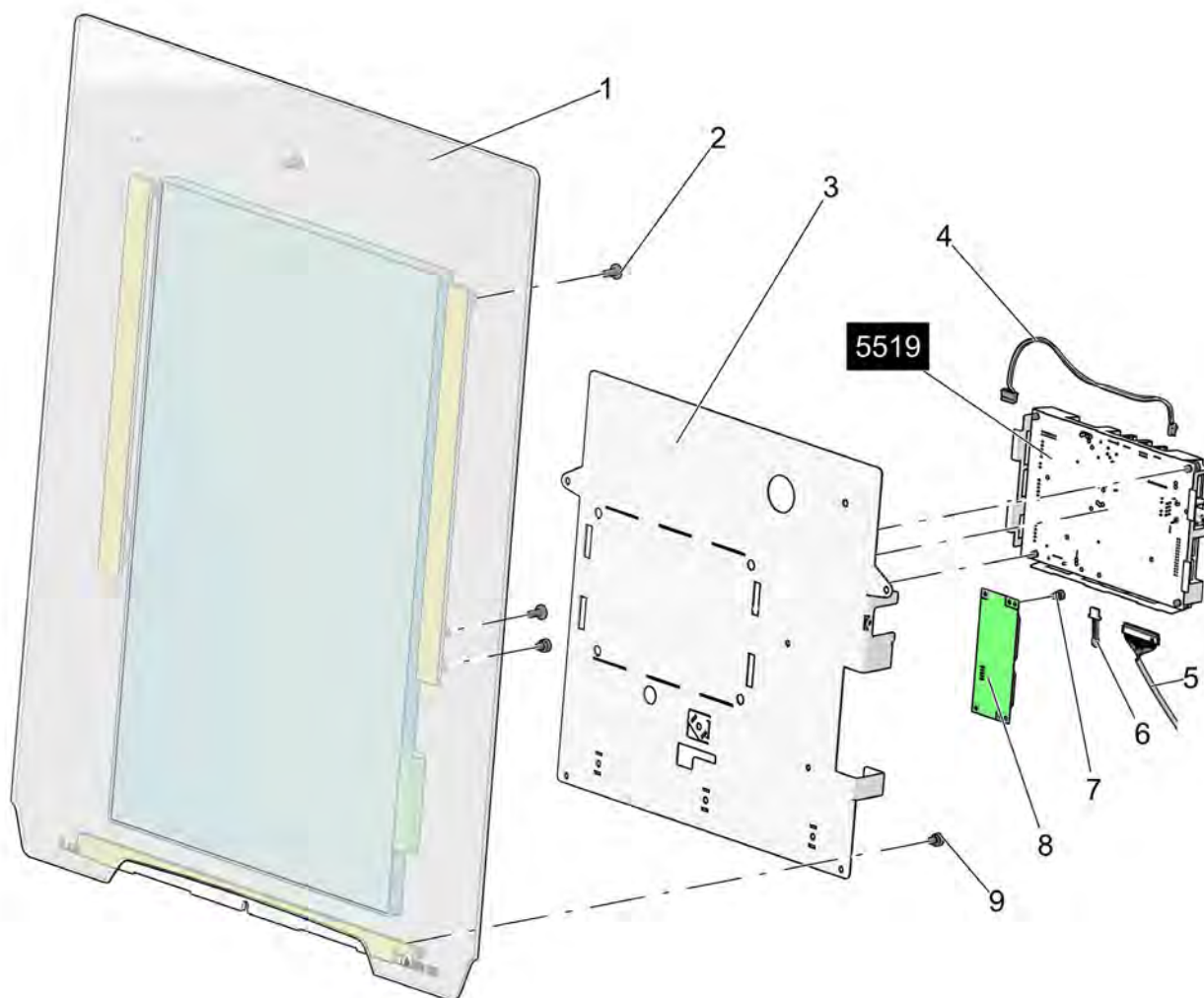
<i>Drawing</i>	<i>Pos</i>	<i>S</i>	<i>Part Nr</i>	<i>Qty</i>	<i>Spare Part Description</i>
3528-A	28		4MHS049	1	Lock with clip and key (K111)
3528-A	29		4MHS051	1	Key K111 only (for lock 4MHS049)
3528-A	30		6CDP016	1	Display + Touchscreen + Front panel Lua medium



**IMPORTANT**

To prevent Electrostatic discharge (ESD), always use an ESD wrist strap. Make sure to connect it to the door ground cable of the coffee machine before handling the boards.

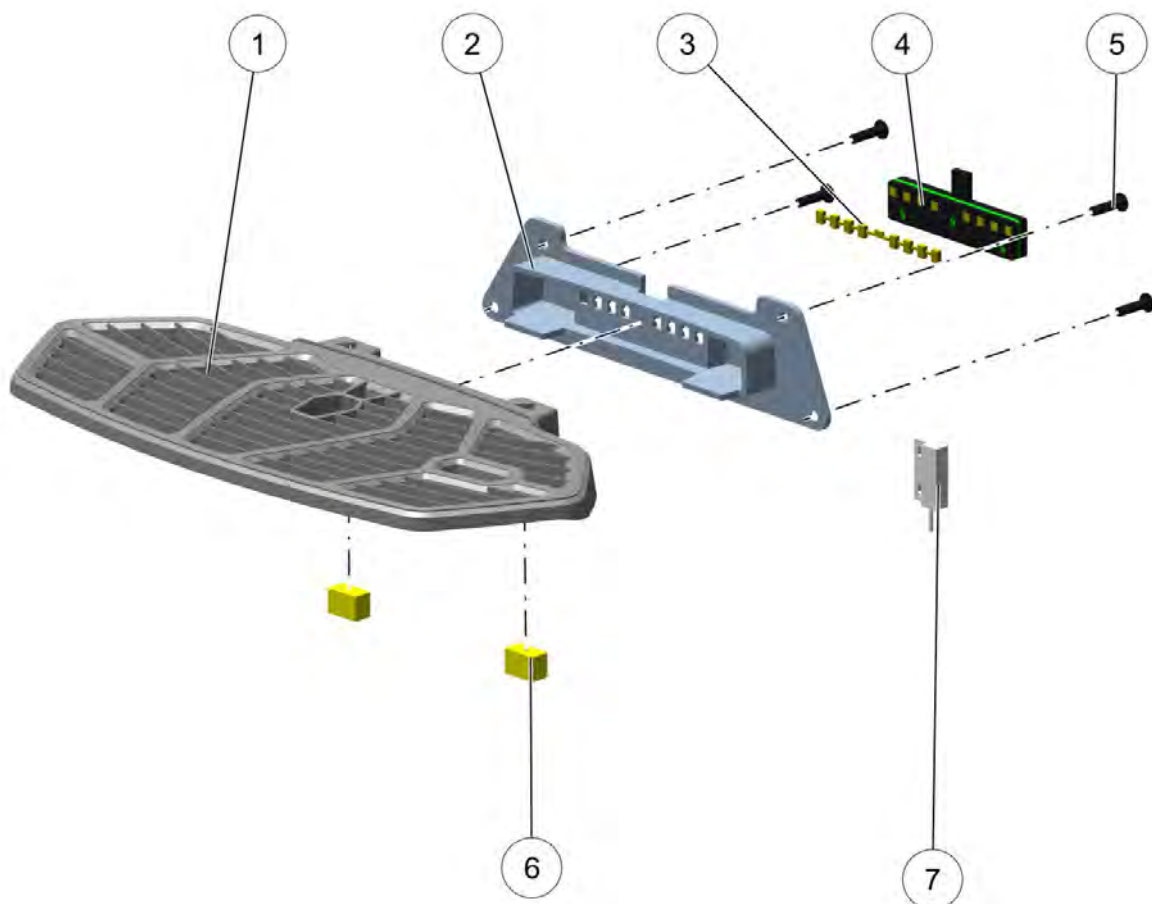
4017-A



<i>Drawing</i>	<i>Pos</i>	<i>S</i>	<i>Part Nr</i>	<i>Qty</i>	<i>Spare Part Description</i>
					<b>REFERENCES</b>
55..					Refer to drawing 5519: MoVec ICEQ3 Controller Board
					<b>PARTS</b>
4017-A	01		6CDP016	1	Glass front panel with Touchscreen and 18.5" Display Lua Medium
4017-A	02		4BBK052	7	Button head screw M4x10
4017-A	03		5MDR510	1	Mounting plate Lua
4017-A	04		6CKB557	1	Touchpanel cable Lua
4017-A	05		6CKB554	1	Display cable 18.5" 2LVDS
4017-A	06		6CKB540	1	Backlight cable Lua
4017-A	07		4BBK045	2	Bolt + lock washer M3x6
4017-A	08		4EPR031	1	Capacitive control board
4017-A	09		4BBK039	4	Bolt + lock washer M4x6

- Part numbers marked with "SE" are Service parts Engineer stock
- Part numbers marked with "SW" are Service parts Warehouse stock
- Part numbers marked with "n/a" are Not Available as spare part
- De Jong Duke recommends to have service parts directly available on local or car stock.

4307-A

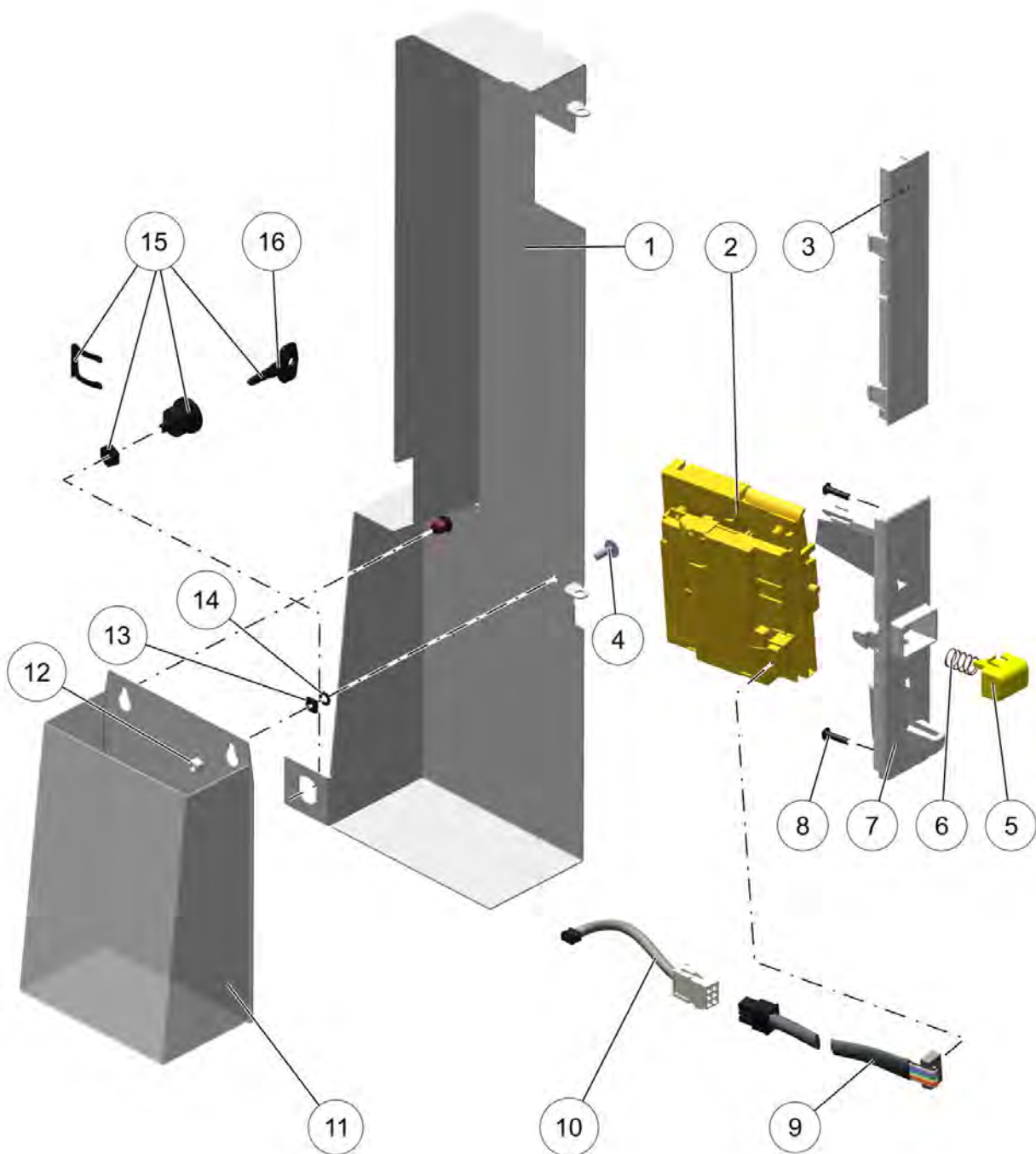




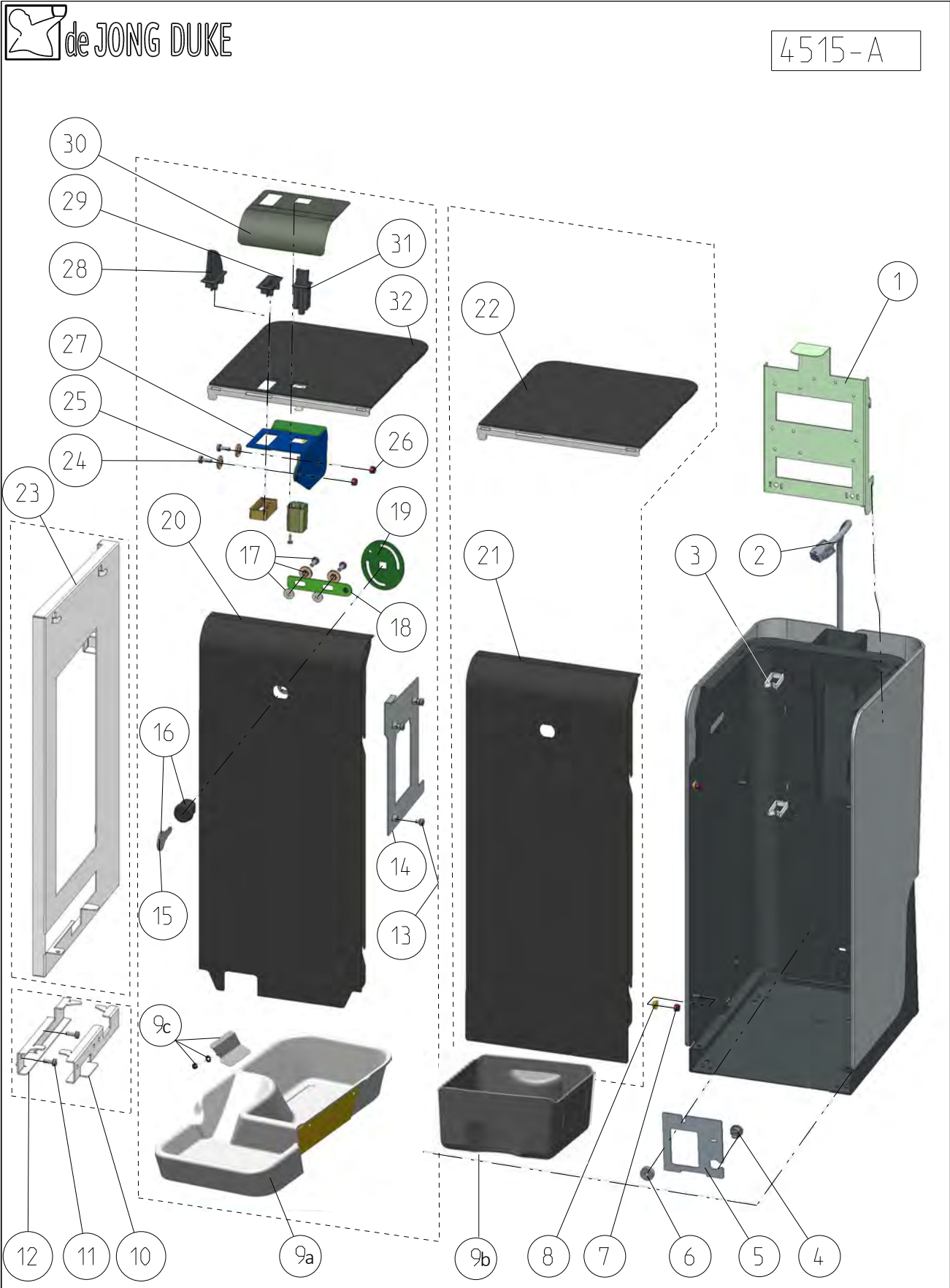
<i>Drawing</i>	<i>Pos</i>	<i>S</i>	<i>Part Nr</i>	<i>Qty</i>	<i>Spare Part Description</i>
4307-A		SW	TBD	1	Cup stand assembly <i>with items 1 and 6</i>
4307-A	01		5KBK066	1	Cup stand
4307-A	02		5KBK064	1	Cup stand holder
4307-A	03		5KBK065	1	Lens light guide
4307-A	04		5EPR158	1	PCB cup stand LED light
4307-A	05		4BSC036	4	Screw torx 3,5x13,5
4307-A	06		5MMG001	2	Magnet 14x9
4307-A	07		6CKB461	1	Reed switch - Cup stand detector


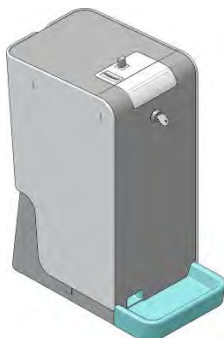
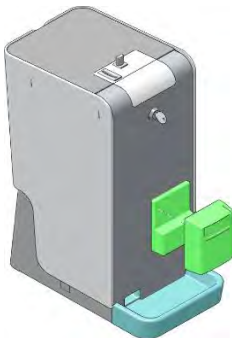

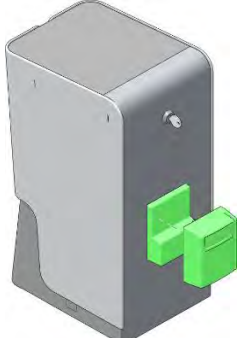
- Part numbers marked with "SE" are Service parts Engineer stock
- Part numbers marked with "SW" are Service parts Warehouse stock
- Part numbers marked with "n/a" are Not Available as spare part
- De Jong Duke recommends to have service parts available on local (SW) or car (SE) stock.

4516-A



<i>Drawing</i>	<i>Pos</i>	<i>S</i>	<i>Part Nr</i>	<i>Qty</i>	<i>Spare Part Description</i>
4516-A			4EMU020	1	Coin acceptor G13 (MDB, euro)
4516-A			9MDG060	1	Coin acceptor Set with items 1, 4 -14
<b>PARTS</b>					
4516-A	01		5MDR524 -RAL9005	1	Cover payment system
4516-A	02		4EMU020	1	Coin acceptor G13 (MDB, euro)
4516-A	03		5KDR041	1	Cover plate (if no coin acceptor installed)
4516-A	04		4BBC043	2	Bolt M4 x 12
4516-A	05		5KMS016	1	Return button NRI small
	06		5MVR024	1	Return button spring NRI small
4516-A	07		5KMS015	1	Front of acceptor NRI <b>small</b>
4516-A	08		4BSC036	2	Torx screw 3.5x13.5
4516-A	09		6CKB513	1	MDB cable 0.5m
4516-A	10		6CKB508	1	MDB Adapter cable 0.1 m (ICEQ2 only)
4516-A	10		6CKB509	1	MDB Adapter cable 1.6 m (ICEQ2 only)
4516-A	11		5MDR525 -RAL9005	1	Coin box
4516-A	12		4BMZ011	2	Lock nut M4
4516-A	13		4BMV005	2	Square nut M4
4516-A	14		4BVR001	2	Star Washer M4
4516-A	15		4MHS035	1	Lock for coin box cover



				
Prepared for Coin Acceptor (9MDG013)	Prepared for Change giver (4EMU009)	Prepared for Change giver + Card reader / Bill acceptor	Blank	Prepared for Card reader / Bill acceptor

**Part number for complete housing for Small(T0) and Medium(T1) models:**  
with connection bracket item 23 but without the payment option itself (highlighted in green)

**9MKA014**
**9MKA008**
**9MKA010**
**9MKA012**
**9MKA016**

**Part number for replacement Front panel pre-assembled:**

complete with items 16, 17, 18, 19 and 20 or 21 but without the payment option itself (highlighted in green)

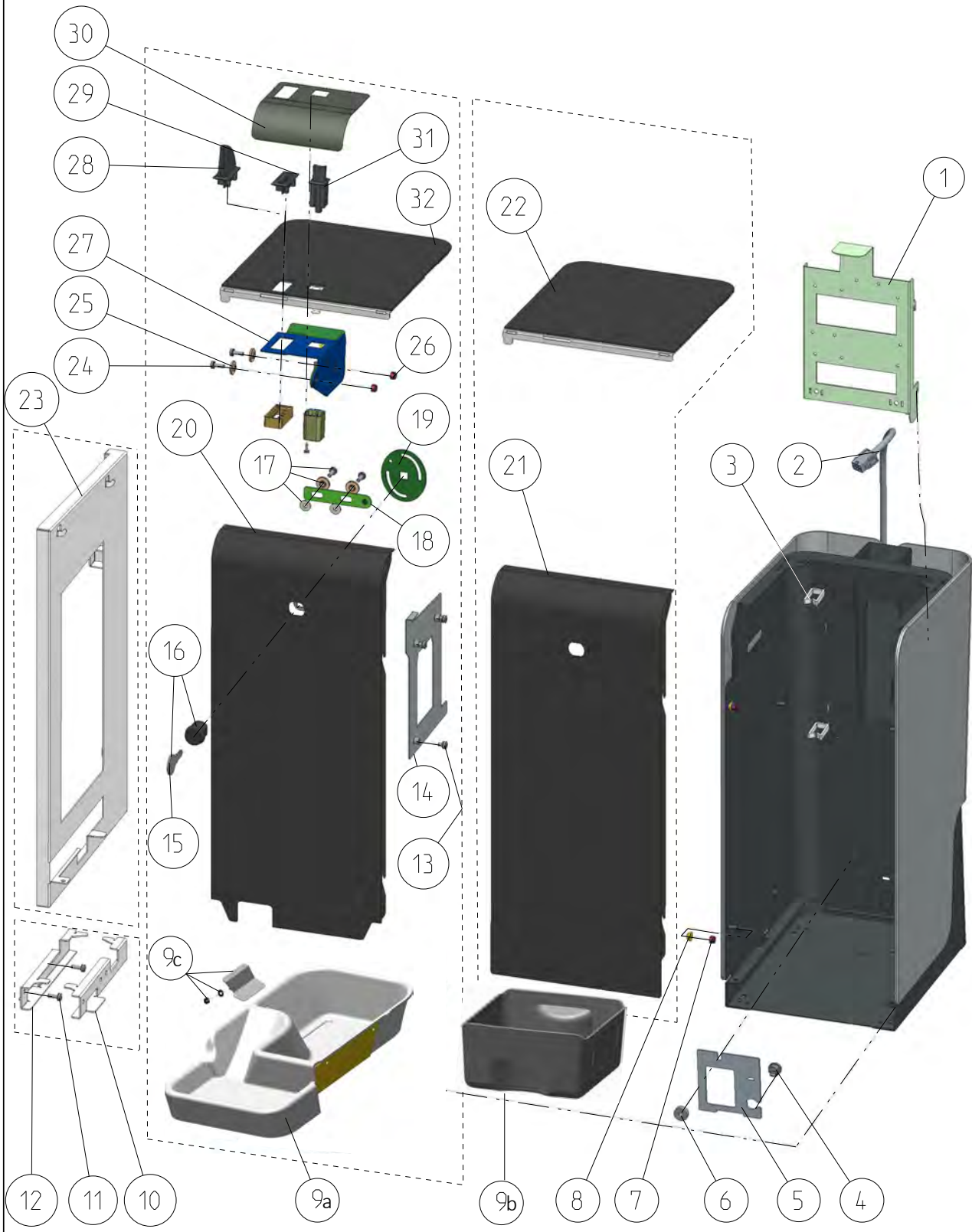
**9MDG049**
**9MDG050**
**9MDG051**
**9MDG052**
**9MDG053**

Drawing	Pos	S	Part Nr	Qty	Spare Part Description
			9MDG013		Coin acceptor EURO G13 including front plate <b>wide</b> (See drawing 4509 for more details)
			4EMU009		Change giver G46 EURO
4515-A	01		5MMS203	1	Mounting bracket
4515-A	02		6CKB509	1	MDB Adapter cable 1.6 m (ICEQ2 only)
4515-A	03		4BKM031	2	Cable clamp with plug
4515-A	04		4KDT009	1	Cable relief
4515-A	05		5MMS214	1	Back plate connections
4515-A	06		4BMV007	1	Thumb nut M4
4515-A	07		4BMZ011	4	Locking nut M4
4515-A	08		5MLG001	4	Bearing Ø6,9 x Ø10 x 2
4515-A	9a		6MOV048	1	Money tray for change giver (G46) contains money tray (5KMS017) tray support (5MMS200) and item 9C
4515-A	9b	SW	5KAF090	1	Money tray for coin acceptor (G13)
4515-A	9c		9MDG058	1	Money tray (Change giver) upgrade kit with coin deflection lip (5TMP099), washer M4 (4BPR003) and nut (4BMZ003)



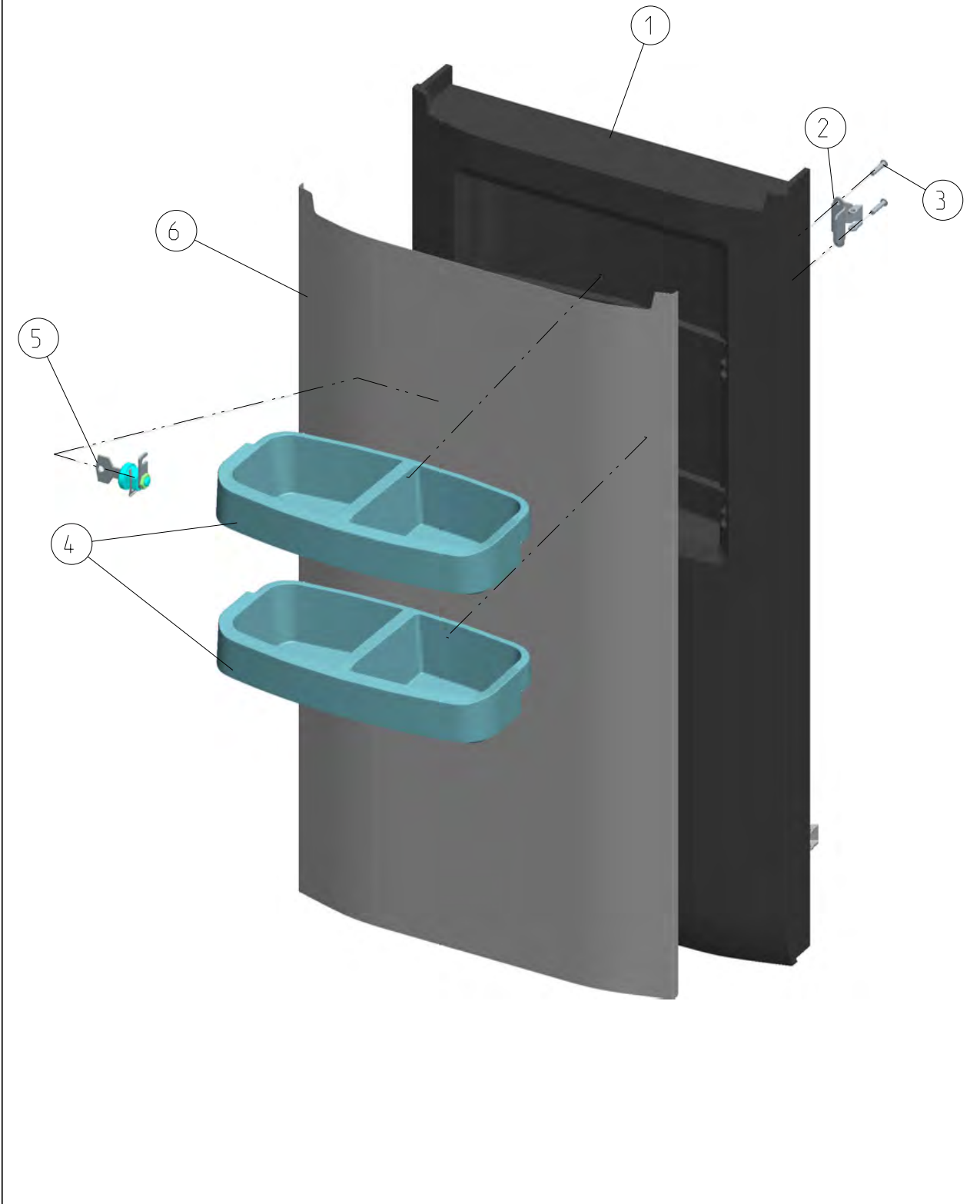
de JONG DUKE

4515-A



<i>Drawing</i>	<i>Pos</i>	<i>S</i>	<i>Part Nr</i>	<i>Qty</i>	<i>Spare Part Description</i>
4515-A	10		5MMS197 -RAL9005	1	Connection piece Nio (Left)
4515-A	11	SE	4BBK032	4	Bolt M4x12 with ring
4515-A	12		5MMS196 -RAL9005	1	Connection piece Nio (Right)
4515-A	13		4BBK039	3	Bolt M4x6 with lock washer (Torx)
4515-A	14		5MMS204	1	Bracket for changegiver
4515-A	15		4MHS047	1	Key for lock 4MHS044
4515-A	16		4MHS044	1	Lock with keys
4515-A	17		9HDR090	4	Sliding lock fasteners set
4515-A	18		5MHS057	2	Sliding lock plate
4515-A	19		5MHS056	1	Lock cam
4515-A	20		9MDG050	1	Front cover prepared for Changegiver <i>with items 16, 17, 18, 19</i>
4515-A	20		9MDG051	1	Front cover prepared for Change giver and bill acceptor <i>with items 16, 17, 18, 19</i>
4515-A	21		9MDG049	1	Front cover prepared for Coin acceptor <i>with items 16, 17, 18, 19</i>
4515-A	21		9MDG052	1	Front cover - Blank / not prepared <i>with items 16, 17, 18, 19</i>
4515-A	21		9MDG053	1	Front cover prepared for Card reader / Bill accep- tor <i>with items 16, 17, 18, 19</i>
4515-A	22		6MKA010	1	Lid
4515-A	23		5MMS205- RAL9005	1	Connection bracket
4515-A	24	SE	4BBK032	2	Bolt M4x12 with ring
4515-A	25		5MLG002	2	Bearing Ø6,9 x Ø15 x 1,7
4515-A	26		4BMZ011	2	Locking nut M4
4515-A	27		n/a	1	Return mechanism assembly
4515-A	28		5KMS018	1	Alternative upright coin slot
4515-A	29		n/a	1	Coin slot
4515-A	30		5TAB101	1	Sticker for unit with change giver
4515-A	31		6MDG038	1	Return button assembly
4515-A	32		n/a	1	Lid for unit with change giver

- Part numbers marked with "SE" are Service parts Engineer stock
- Part numbers marked with "SW" are Service parts Warehouse stock
- Part numbers marked with "n/a" are Not Available as spare part
- De Jong Duke recommends to have service parts directly available on local or car stock.

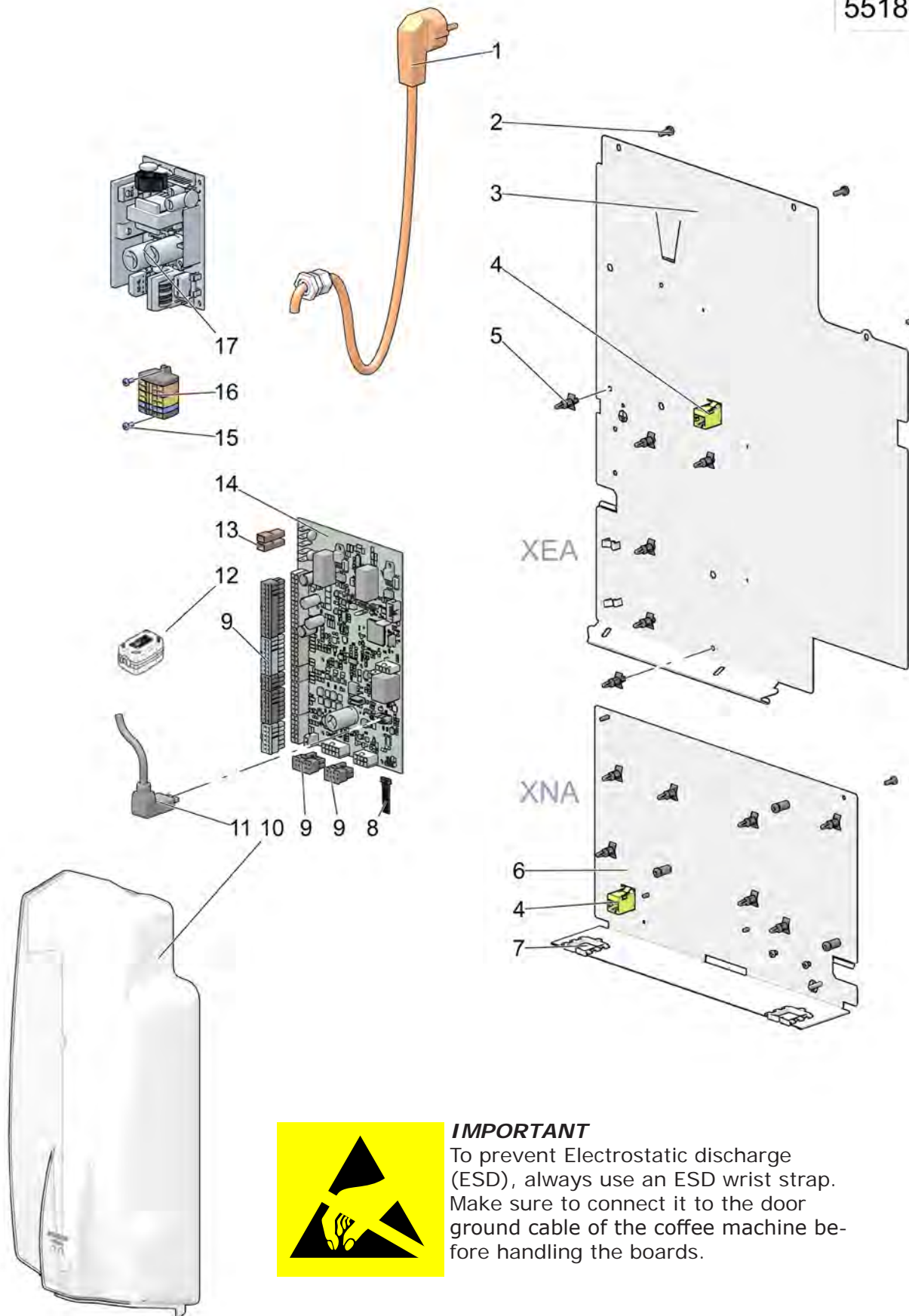




<i>Drawing</i>	<i>Pos</i>	<i>S</i>	<i>Part Nr</i>	<i>Qty</i>	<i>Spare Part Description</i>
5007-A	01		5KDR051 -11194		Door for Base Cabinet Medium (Virtu)
5007-A	01		5KDR051 -S139		Door for Base Cabinet Medium (Zia)
5007-A	02		5MHS012		Door hinge
5007-A	03		4BSC037		Screw 4x12
5007-A	04		5KDR052		Condimental tray base cabinet
5007-A	05		9HDR078		Lock with clip and key <i>note: key <b>NOT</b> identical to 4MHS026 key</i>
5007-A	05		4MHS042		Key for door lock 9HDR078 <i>key# 25401</i>
5007-A	06		9HDR060		Cover plate base medium (Virtu) + adhesive strip
5007-A	06		9HDR088		Cover plate base medium (Zia) + adhesive strip
<b>HISTORY</b>					
5007-A	05		<del>4MHS026</del>		Lock with clip <i>Replaced by 9HDR078 from S/N 2016.06.xxxx.001</i>

- Part numbers marked with "SE" are Service parts Engineer stock
- Part numbers marked with "SW" are Service parts Warehouse stock
- Part numbers marked with "n/a" are Not Available as spare part
- De Jong Duke recommends to have service parts available on local stock or car stock.

5518-A



**IMPORTANT**  
 To prevent Electrostatic discharge (ESD), always use an ESD wrist strap. Make sure to connect it to the door ground cable of the coffee machine before handling the boards.

<i>Drawing</i>	<i>Pos</i>	<i>S</i>	<i>Part Nr</i>	<i>Qty</i>	<i>Spare Part Description</i>
					<b>SETS</b>
5518-A	08	SW	9EPR025	1	IOB MoVeC ICEQ with 34 outputs (CoExXL) (For 2 heating elements) <i>with item 14 and a J11 adapter cable</i>
					<b>PARTS</b>
5518-A	01		6CKB130	1	Power cord EU with strain relief / cable gland
5518-A	01		6CKB136	1	Power cord UK with strain relief / cable gland
5518-A	01		6CKB137	1	Power cord USA 120VAC UL
5518-A	01		6CKB606	1	Power cord South Africa with cable gland
5518-A	02	SE	4BBK032	2	Bolt M4x12 with lock washer
5518-A	03		5MBH492	1	Electronics back panel XEA
5518-A	04		4EMK022	1	RJ45 Network connector panel mount
5518-A	05		4BAF015	7	PCB support
5518-A	06		5MBH465	1	Electronics back panel XNA
5518-A	07		4BKM063	2	Cable clamp plate rim with closure 27mm
5518-A	08		6CKB545	1	Wire harness canister interlock jumper
5518-A	09		6CKB600	1	Wire harness XNA 24V
5518-A	09		6CKB602	1	Wire harness XEA 24V
5518-A	10		5KAE006	1	Electronics cover (XEA only)
5518-A	11	SW	6CKB497	1	Movec ICEq-Cable IOB to Controller board (HDMI)
5518-A	12		4ETR013	1	Ferrite split core interference filter
5518-A	13		6CKB552	1	230v/120v wire harness XEA
5518-A	13		6CKB544	1	230v/120v wire harness XNA
5518-A	14		5EPR163	1	IOB MoVeC ICEQ with 34 outputs (CoExXL) (For 2 heating elements) <i>NOTE: order 9EPR025 if a 5EPR156 IOB is replaced</i>
5518-A	15		4BBK028	2	Bolt M3x8
5518-A	16		6CCT002	1	Connection block
5518-A	17	SW	5EPR076	1	Power supply 230VAC - 24VDC / 120W
5518-A	17		5EPR077	1	Power supply 120VAC - 24VDC / 120W
					<b>HISTORY</b>
5518-A	14		5EPR156	1	IOB MoVeC ICEQ with 34 outputs (CoExXL) (For 2 heating elements) <i>replaced by 5EPR163 from 2021.45.XXXX.001</i>

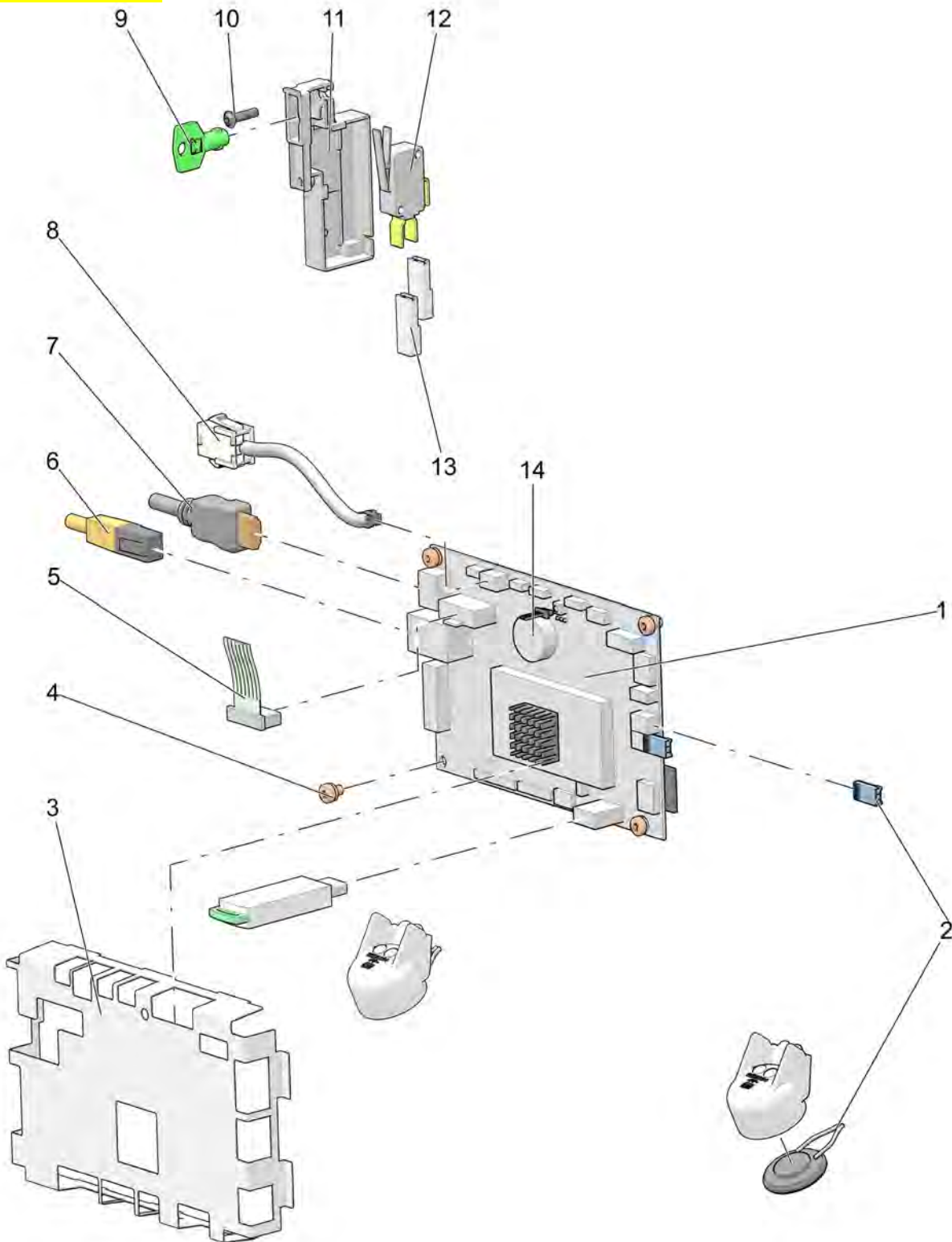
- Part numbers marked with "SE" are Service parts Engineer stock
- Part numbers marked with "SW" are Service parts Warehouse stock
- Part numbers marked with "n/a" are Not Available as spare part
- De Jong Duke recommends to have service parts available on local (SW) or car stock (SE).

5519-B



**IMPORTANT**

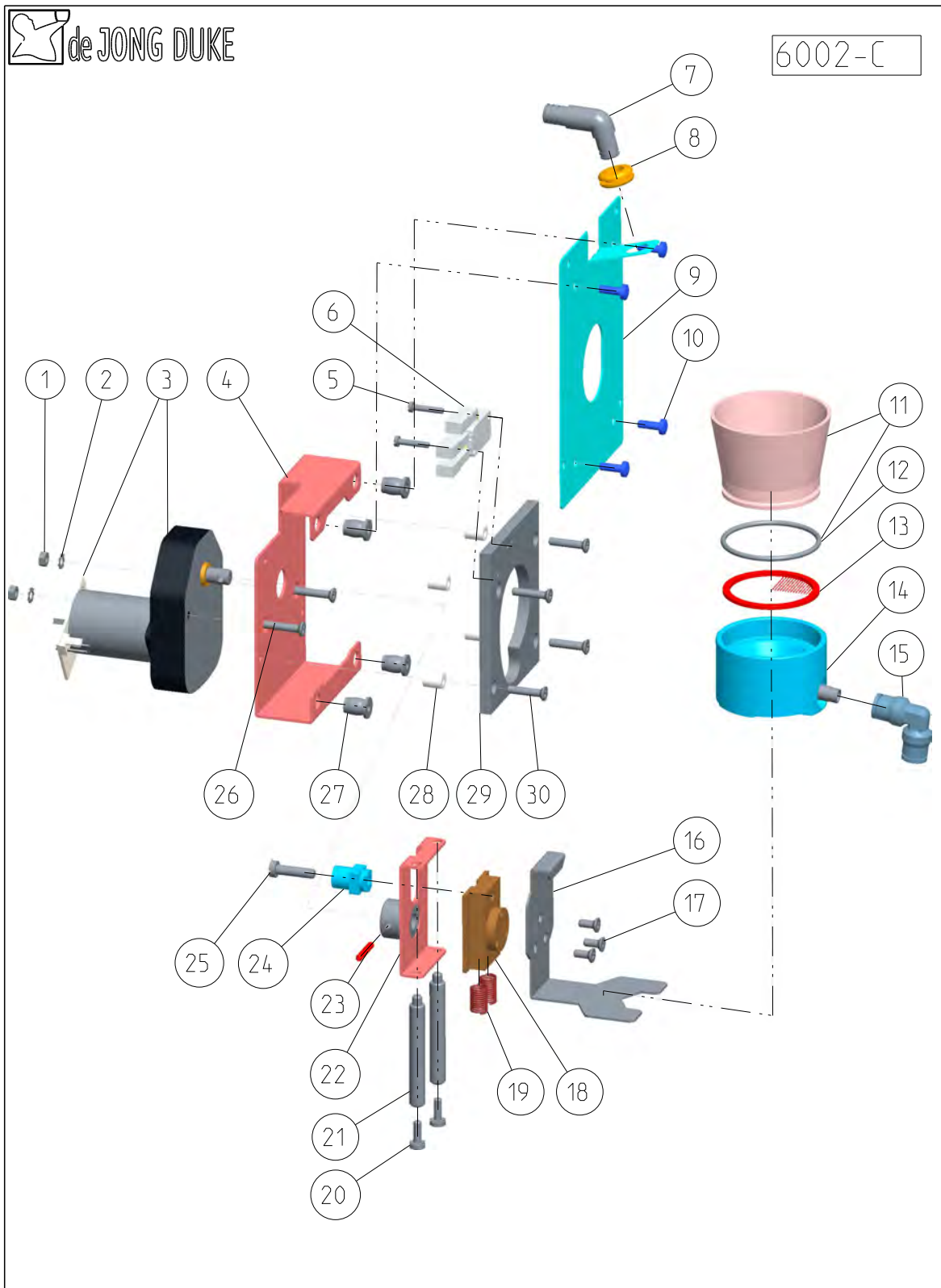
To prevent Electrostatic discharge (ESD), always use an ESD wrist strap. Make sure to connect it to the door ground cable of the coffee machine before handling the boards.



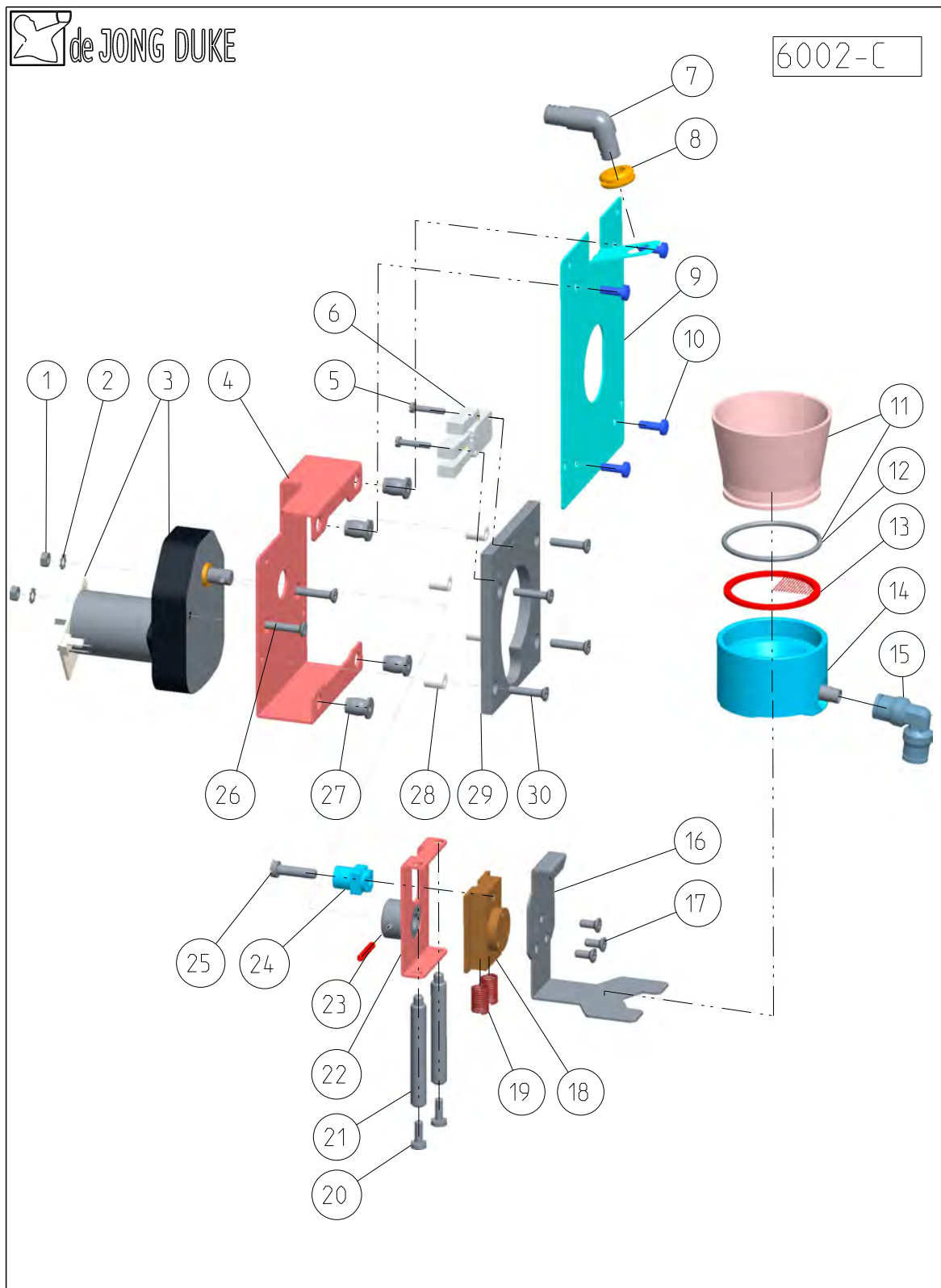
<i>Drawing</i>	<i>Pos</i>	<i>S</i>	<i>Part Nr</i>	<i>Qty</i>	<i>Spare Part Description</i>
					<b>Parts</b>
5519-B	01	SW	9EPR026	1	MoVeC ICEQ3 controller board <b>Avy</b>
5519-B	01	SW	9EPR024	1	MoVeC ICEQ3 controller board <b>Lua</b>
5519-B	02		4ELP002	2	Speaker
5519-B	03		n/a		MoVeC ICEQ3 board cover
5519-B	04		4BBK039	4	Bolt with lock washer M4x6
5519-B	05	SE	6CKB426	1	Flat cable IOB-MoVeC ICEQ
5519-B	06		6CKB516	1	Network (patch) cable 2xRJ45 1m
5519-B	07	SW	6CKB497	1	HDMI cable IOB-MoVeC ICEQ
5519-B	08		6CKB508	1	MDB adapter cable ICEQ2 0,1m
5519-B	09	SE	5KDS036	1	Service key
5519-B	10		4BSC036	1	Screw torx 3.5x13.5
5519-B	11		5KDS038	1	Door micro switch ICEQ mounting
5519-B	12	SW	4ESK048	1	Door micro switch ICEQ
5519-B	13		6CKB555	1	Wire harness for sensors Avy
5519-B	13		6CKB539	1	Wire harness for sensors Lua
5519-B	14		4ETR011	1	Battery for PCB assembly 3V <i>Scan the QR code below and watch a replacement instruction video</i>



- Part numbers marked with "SE" are Service parts Engineer stock
- Part numbers marked with "SW" are Service parts Warehouse stock
- Part numbers marked with "n/a" are Not Available as spare part
- De Jong Duke recommends to have service parts available locally (SW) or as car stock (SE).



<i>Drawing</i>	<i>Pos</i>	<i>S</i>	<i>Part Nr</i>	<i>Qty</i>	<i>Spare Part Description</i>
6002-C		SE	6ZBR072		Tea brewer chamber assembly with 4.2 mm outlet <i>with items 11, 12, 13, 14, 15</i>
6002-C		SW	6ZBR066		Tea brewer assembly with 4.2 mm outlet <i>with items 1 ~ 30</i>
6002-C	01		4BMZ003	2	Nut M4
6002-C	02		4BVR002	2	Star washer M4
6002-C	03	SW	6ZBR093	1	Motor 24VDC 10RPM <i>Consists of 5EMT011 (motor) and 4EPR013 (PCB)</i>
6002-C	04		5MBR047	1	Frame tea brewer
6002-C	05		4BBC007	2	Bolt M3x16
6002-C	06	SW	BR8	1	Micro switch
6002-C	07	SE	5KVL022	1	Outlet knee 107 grd d=10 2x
6002-C	08		4RDT010	1	Cable grommet 10x12x18 for 2mm plate
6002-C	09		5MBR046- RAL9005	1	Cover tea brewer module
6002-C	10		4BBK012	4	Bolt M4x16
6002-C	11		6ZBR075	1	Tea brewer bowl, closed
6002-C	12	SE	4ROR008	1	O-Ring 45.69 x 2.62
6002-C	13	SE	5RVA010	1	Nylon strainer tea brewer
6002-C	14		6ZBR067	1	Tea brewer lower part with 4.2 mm outlet
6002-C	15		4MPF056	1	Insert socket 90 degrees 8-8
6002-C	16		5MBR048	1	Holder for tea brewer
6002-C	17		4BBK011	3	Bolt M4x10
6002-C	18		5KBR008	1	Tea brewer guide block
6002-C	19		BR118	1	Pressure spring
6002-C	20	SE	4BBK032	2	Bolt M4x12
6002-C	21		5MDF005	2	Guide shaft 8x60mm
6002-C	22		6ZBR016	1	motor plate tea brewer
6002-C	23		4BPN023	1	Spring pin
6002-C	24		5KBR022	1	Notch tea brewer
6002-C	25		4BBC030	1	Bolt M5x20
6002-C	26		4BBV017	2	Bolt M4x25
6002-C	27		4BMV006	4	Blind nut M4x8x11.4
6002-C	28		4KAB019	4	Distance holder
6002-C	29		5KBR007	1	Plate Tea brewer
6002-C	30		4BBV047	4	Bolt M4 x 18

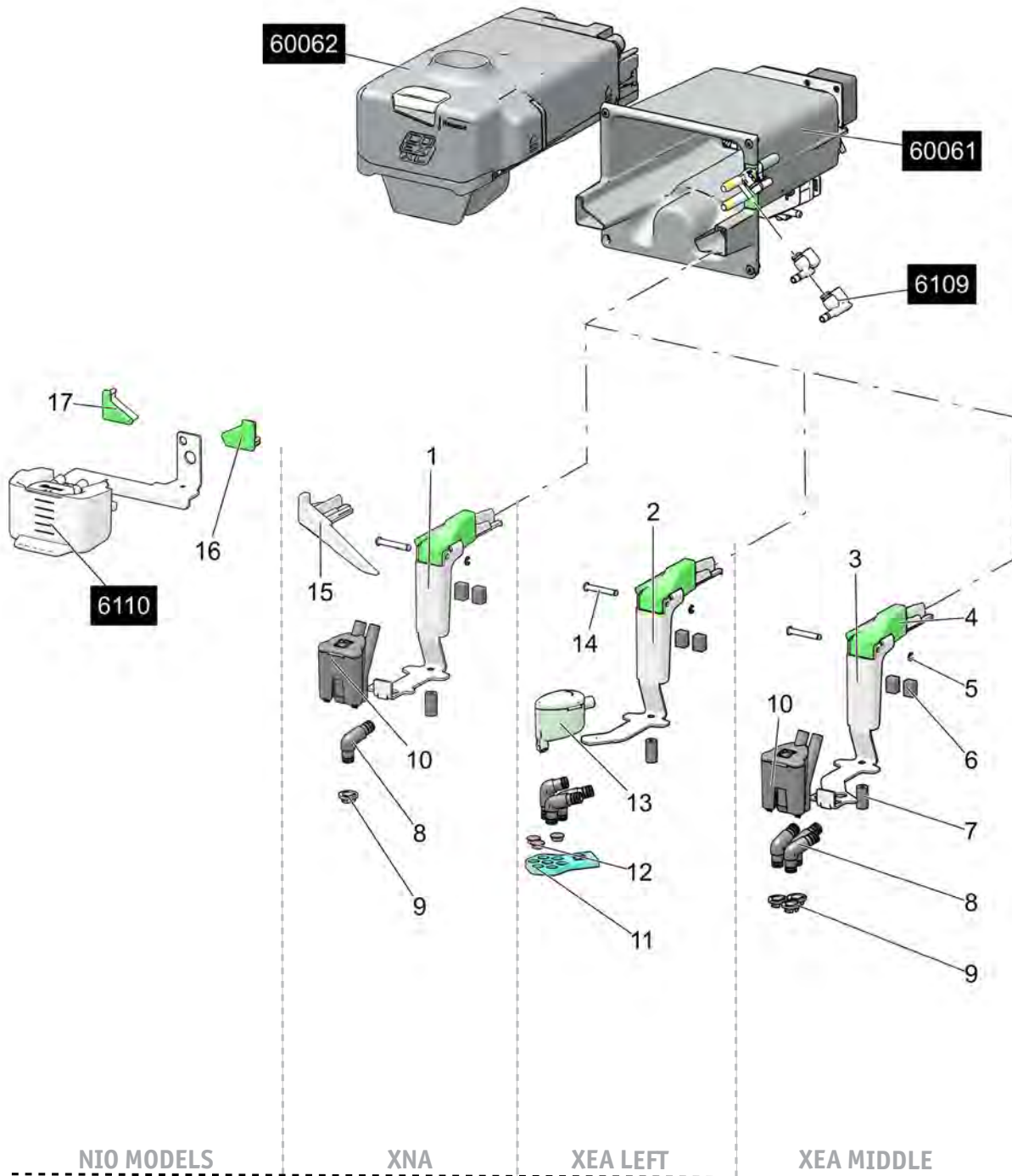




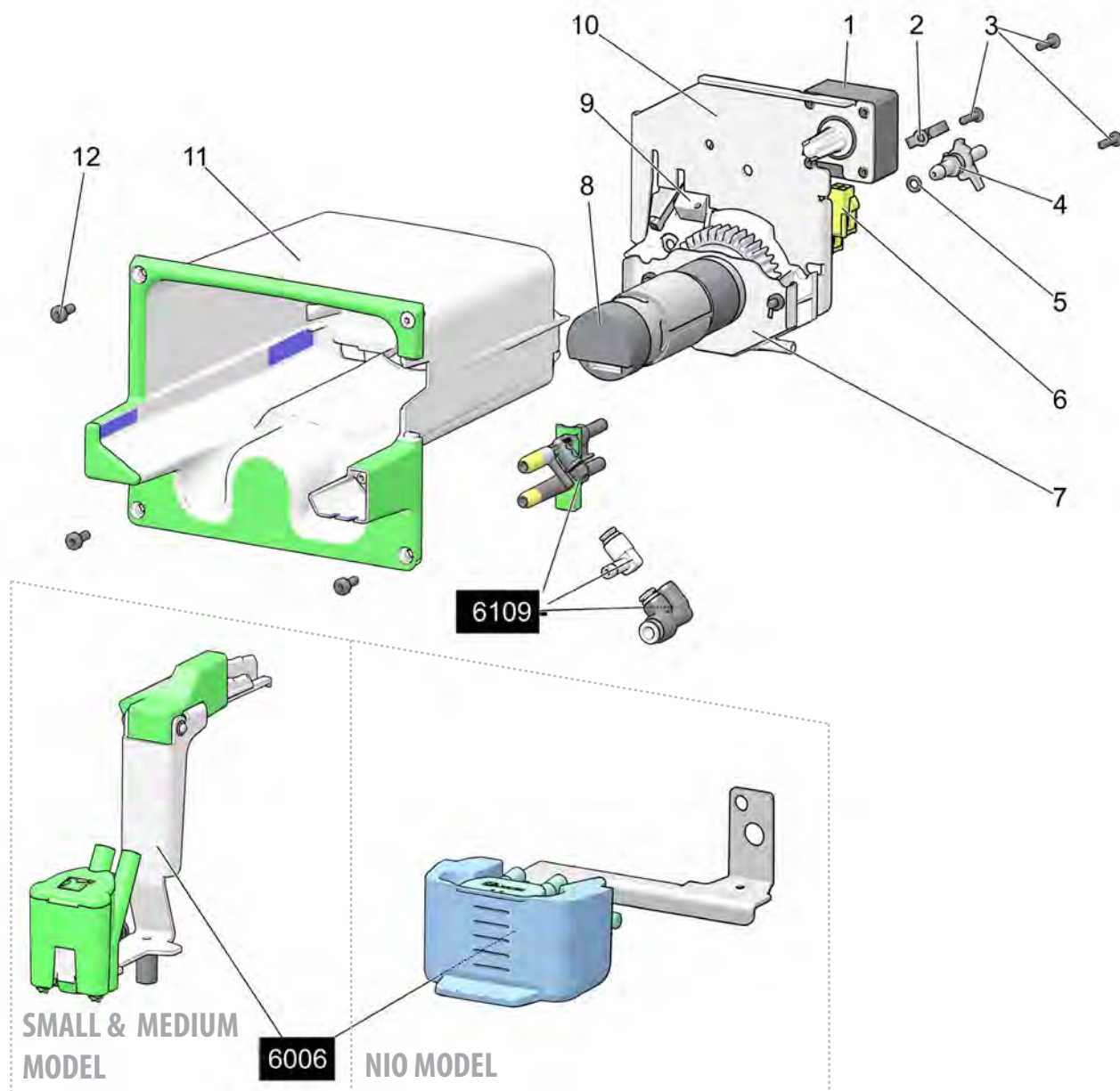
<i>Drawing</i>	<i>Pos</i>	<i>S</i>	<i>Part Nr</i>	<i>Qty</i>	<i>Spare Part Description</i>
<b>HISTORY</b>					
6002-B		SW	6ZBR072		Tea brewer chamber assembly with 5.5mm outlet <i>discontinued from 2012.02.xxxxx.xxx</i>
6002-B		SW	6ZBR066		Tea brewer assembly with 5.5 mm outlet <i>discontinued from 2012.02.xxxxx.xxx</i>
6002-B	14		6ZBR067	1	Tea brewer lower part with 5.5 mm outlet <i>discontinued from S/N 2012.02.xxxxx.xxx</i>
6002-B	23		BR114	1	Spring pin <i>Replaced by 4BPR020</i>
6002-B	23		4BPN020	1	Spring pin <i>Replaced by 4BPR023 from S/N 201228.xxxxx.xxx</i>
6002-B	26		4BBK011	2	Bolt M4x10 <i>Replaced by 4BBV017 from S/N 201728.xxxxx.xxx</i>

- Part numbers marked with "SE" are Service parts Engineer stock
- Part numbers marked with "SW" are Service parts Warehouse stock
- Part numbers marked with "n/a" are Not Available as spare part
- De Jong Duke recommends to have service parts directly available on local or car stock.

6006-B

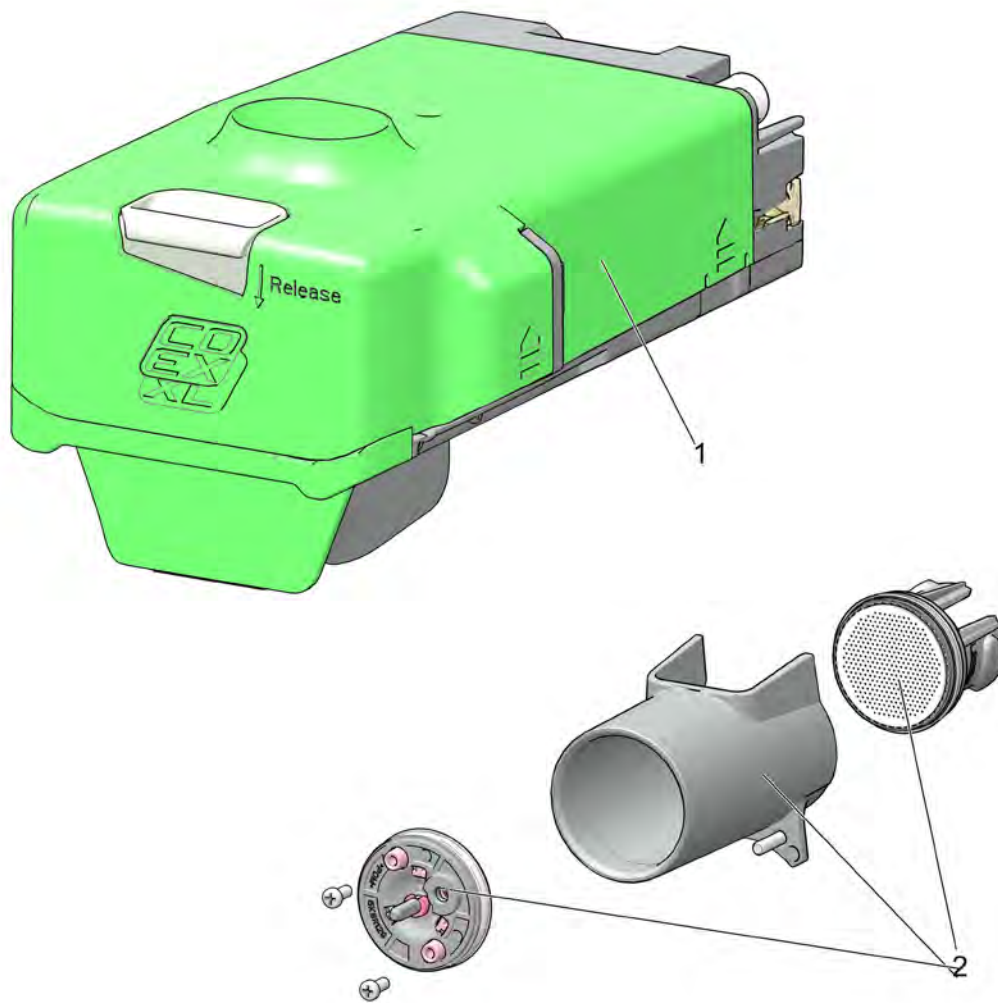


<i>Drawing</i>	<i>Pos</i>	<i>S</i>	<i>Part Nr</i>	<i>Qty</i>	<i>Spare Part Description</i>
					<b>REFERENCES</b>
6109					Refer to drawing: 6109 CoEx XL outlets
6110					Refer to drawing: 6110 Adj. Dispense Head 9XKA
60061					Refer to drawing: 60061 CoEx XL mounting frame
60062					Refer to drawing: 60062 CoEx XL brewer
					<b>PARTS</b>
6006-B	01		5MVL255	1	Dispenser Arm XNA
6006-B	02		5MVL258	1	Dispenser Arm XEA single decentral (left)
6006-B	03		5MVL257	1	Dispenser Arm XEA double central (middle)
6006-B	04		5KBR143	1	Mounting Adapter Dispenser Arm
6006-B	05		4BBG020	1	Retaining washer 3.2mm (stainless steel)
6006-B	06		5MMG001	2	Magnet 12mm
6006-B	07		4RDS003	1	Impact buffer
6006-B	08	SE	5KVL022	1	Outlet knee 107 grd d=10
6006-B	09	SE	5KVL041	1	Clamp ring outlet pipe
6006-B	10	SE	5KVL069	1	Outlet Shute CoEx XL double
6006-B	11		5KVL035	1	Outlet holder CoEx (XL)
6006-B	12		4KVL016	1	Outlet stop
6006-B	13	SE	5KVL059	1	Outlet Shute CoEx (XL) single
6006-B	14		4MVL242	1	Outlet Arm hinge pin
6006-B	15		5KBR145	1	Coffee Puck Guide
6006-B	16		5KBR144	1	Plug frame right (Nio only)
6006-B	17		5KBR146	1	Plug frame left (Nio only)



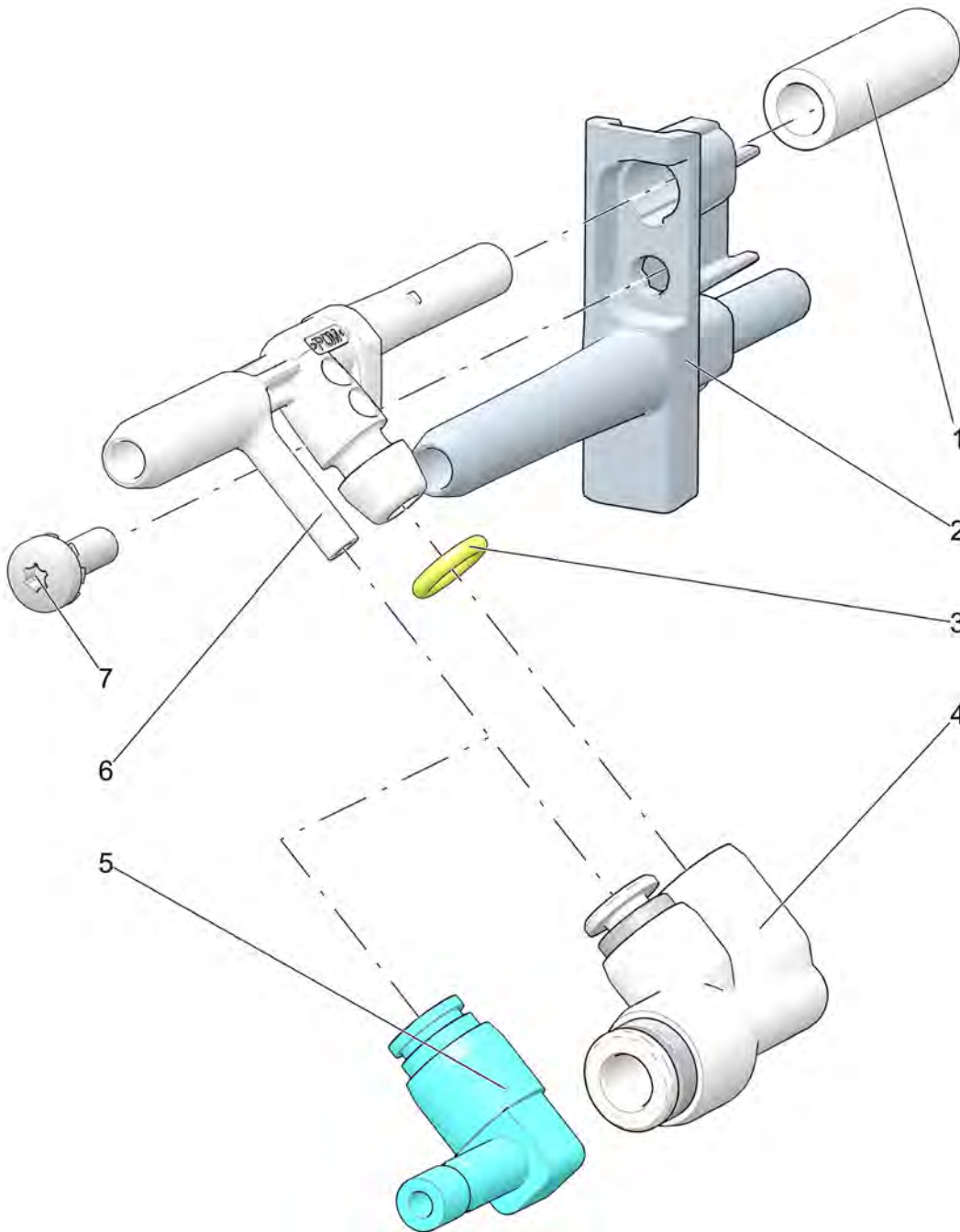
<i>Drawing</i>	<i>Pos</i>	<i>S</i>	<i>Part Nr</i>	<i>Qty</i>	<i>Spare Part Description</i>
					<b>REFERENCES</b>
6006					Refer to drawing: 6006 CoEx XL Brewer Overview
6109					Refer to drawing: 6109 CoEx XL outlets
					<b>SETS</b>
60061-A			6ZBR115	1	CoEx XL Mounting Frame assy complete with motors and bracket <i>with items 1-12</i>
60061-A			6ZBR116	1	CoEx XL Back plate assy complete with motors <i>with items 1-3, 6, 7, 8, 9, 10</i>
					<b>PARTS</b>
60061-A	01		4EMT037	1	Flow regulator stepper motor
60061-A	02		4BKM068	1	Cable clamp adjustable
60061-A	03		4BSC036	3	Screw torx 3.5x13.5
60061-A	04	SE	9VUL019	1	Water Coupling <i>including O-ring (pos 5)</i>
60061-A	05		4ROR047	1	O-ring water inlet CoEx XL Brewer
60061-A	06		6CKB535	1	Wire harness CoEx XL
60061-A	07		5MBR084	1	Main motor mounting plate
60061-A	08		5EMT013	1	Brewer Motor CoEx XL
60061-A	09		4ESK055	1	Micro switch (brewer present detection)
60061-A	10		5MBR116	1	Back plate CoEx XL
60061-A	11		5KBR117	1	CoEx XL brewer bracket
60061-A	12	SE	4BBK032	4	Bolt with lock washer M4x12

60062-A



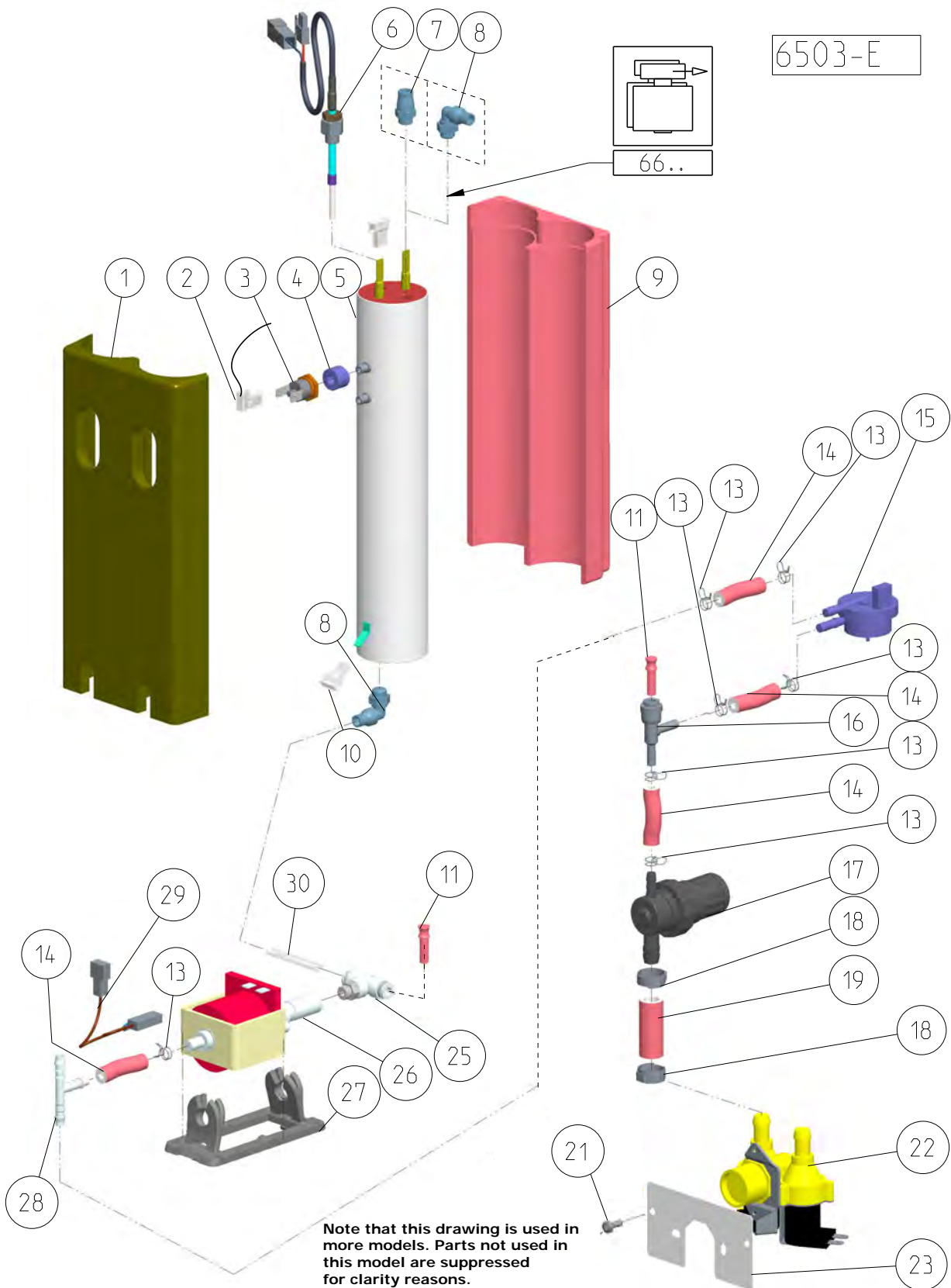
<i>Drawing</i>	<i>Pos</i>	<i>S</i>	<i>Part Nr</i>	<i>Qty</i>	<i>Spare Part Description</i>
					<b>SETS</b>
60062-A	01		6ZBR106	1	CoEx XL brewer complete
60062-A	02		9ZBR065	1	CoEx XL service spare part set

6109-A

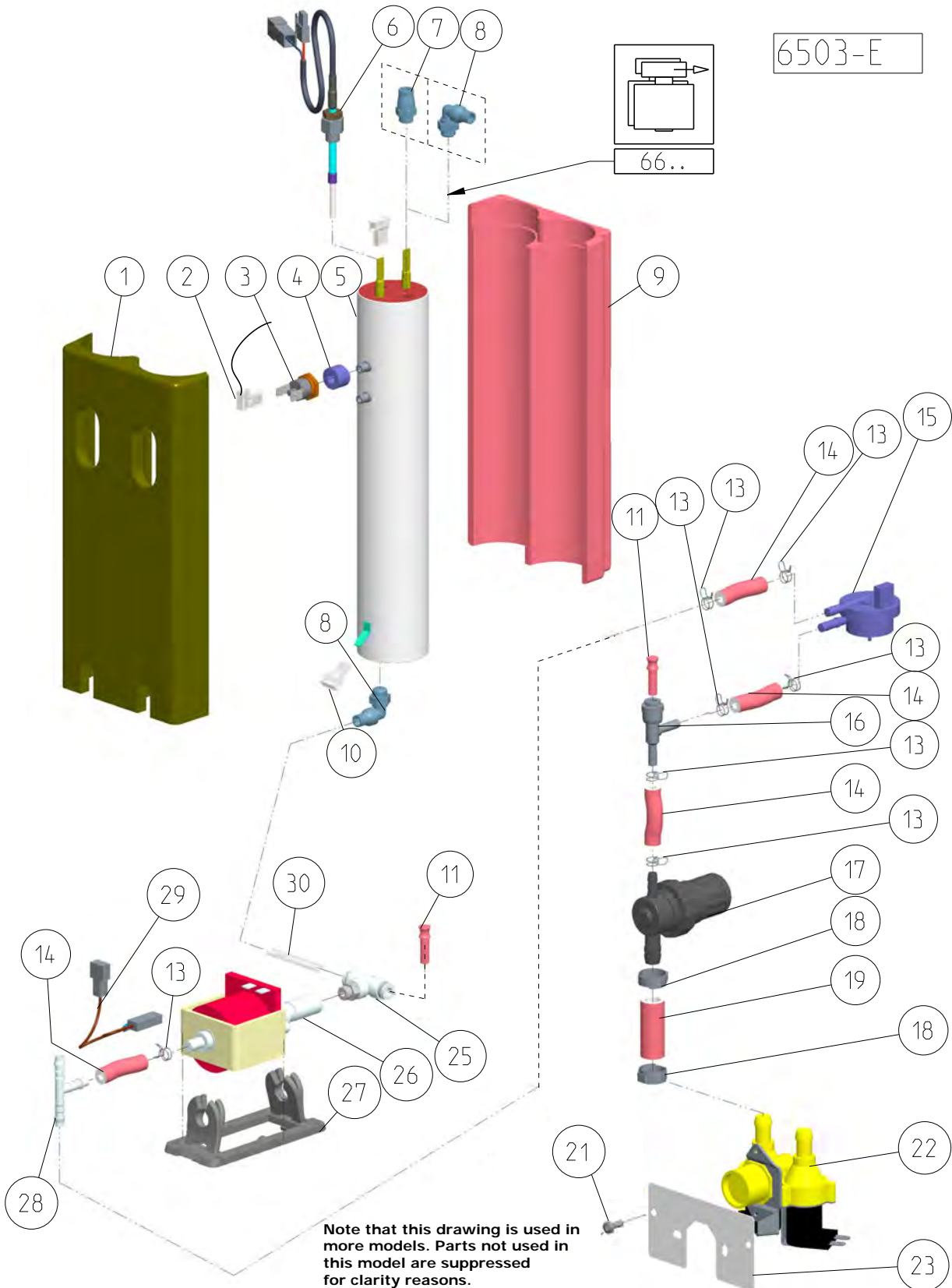




<i>Drawing</i>	<i>Pos</i>	<i>S</i>	<i>Part Nr</i>	<i>Qty</i>	<i>Spare Part Description</i>
					<b>SETS</b>
6109-A			6ZBR114	1	Drain + Coffee Outlet <i>with items 01-03, 05-07</i>
					<b>PARTS</b>
6109-A	01		4RDS004	1	Add-on water connector cap
6109-A	02		5KBR142	1	Drain outlet adapter
6109-A	03		4ROR041	1	O-ring 6,07x1,78
6109-A	04		5KBR041	1	Add-on outlet coupling
6109-A	05		4KPF053	1	Quick connection PPSU L pipe4-sl6
6109-A	06		5KBR121	1	Coffee outlet adapter
6109-A	07		4BBK032	1	Bolt with lock washer M4x12

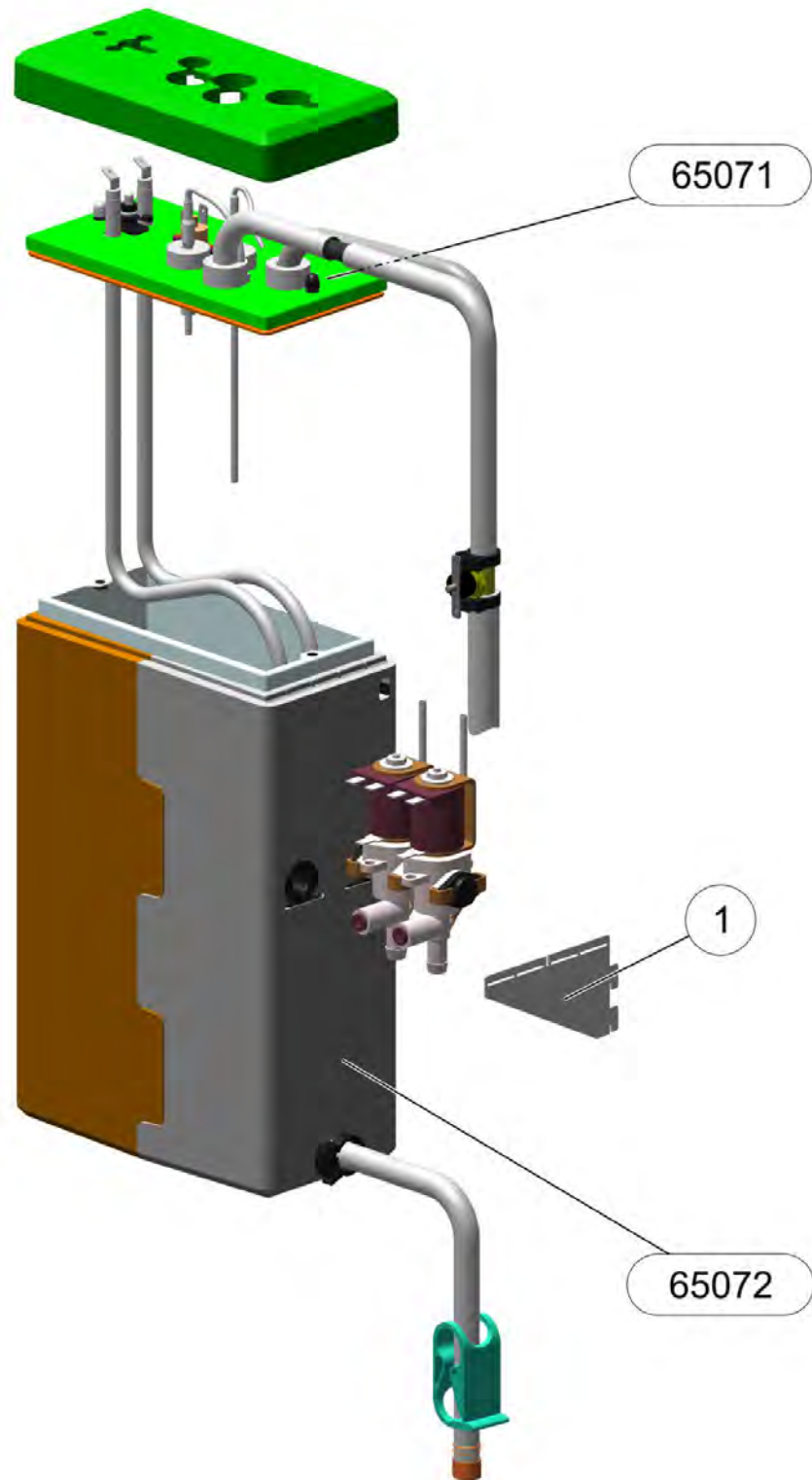


<i>Drawing</i>	<i>Pos</i>	<i>S</i>	<i>Part Nr</i>	<i>Qty</i>	<i>Spare Part Description</i>
					<b>REFERENCES</b>
66..					Refer to drawing valves (PPSU) : 6608 XEA
					<b>SETS - 230V Pressure Boiler</b>
			6VBL130		Pressure boiler (#1) 1660W / 230 VAC (2 clixons) assembly <i>with items: 3, 4, 5, 6, 8 (2 x 4KPF027)</i>
			6VBL113		Pressure boiler (#2) 1660W / 230 VAC (2 clixons) assembly <i>with items: 3, 4, 5, 6, 8 (1 x 4KPF027)</i>
			6VBL074		Pressure boiler 1660W / 230 VAC (2 clixons) assembly <i>with items: 3, 4, 5, 7 (1 x 4MPF034), 8 (1 x 4KPF032)</i>
			6VBL092-4		Pressure boiler 1660W / 230 VAC assembly <i>with items: 2, 3, 4, 5, 6, 7 (1 x 4MPF100), 8 (1 x 4KPF027) and 30</i>
					<b>PARTS</b>
6503-E	01		5KVL042		Front isolation for boilers
6503-E	02		6CKB288 +6CKB308		Clixon phase wires
6503-E	03	SW	4EBV018		Temperature safety clixon 110+/-5°C
6503-E	04		5MVL037		Clixon spacer
6503-E	05	SW	6VBL117		Pressure boiler 1660W 230VAC
6503-E	05	SW	6VBL075		Pressure boiler 1200W 120VAC <i>US only</i>
6503-E	06	SE	6CSS059		Boiler temperature and level probe 135 mm <i>For 1660W boiler (6VBL117); check Information Bulletin IB-20210608 for more details</i>
6503-E	06	SE	6CSS037		Boiler temperature and level probe 90 mm <i>For 1400W boiler (6VBL071); check Information Bulletin IB-20210608 for more details</i>
6503-E	07	SE	4MPF034		Push-in straight fitting 1/8"BU-sl6mm
6503-E	07	SE	4MPF100		Push-in straight fitting 1/8"bd sl6mm (stainless steel)
6503-E	08	SE	4KPF027		Quick connection PPSU L 1/8bd sl6mm
6503-E	09		5KVL043		Back isolation for boilers
6503-E	10		6CKB308 +6CKB453		Ground wires
6503-E	11		5MPF007		Plug 6mm
6503-E	12		n/a		
6503-E	13	SE	4MVR013		Hose clamp 11m
6503-E	14	SE	4XSL037		Pressure hose 5x11
6503-E	15	SE	4ESE008		Watercounter / Flow meter 1.8mm
6503-E	16		4KPF055		Quick connection PPSU T 6-6-sl6
6503-E	17	SE	4MVL011		Pressure reducer 0-2 bar



<i>Drawing</i>	<i>Pos</i>	<i>S</i>	<i>Part Nr</i>	<i>Qty</i>	<i>Spare Part Description</i>
6503-E	18	SE	4BKM046		Hose clamp 18.5 R
6503-E	19	SE	4XSL050		Pressure hose 10x16 PVC
6503-E	20		n/a		
6503-E	21		4BBK032		Bolt M4x12 and washer
6503-E	22	SE	4EMV071		Inlet valve double 24V DC with backflow protection
6503-E	23		5MVL082		Fixing plate inlet valve
6503-E	24		n/a		
6503-E	25	SE	4KPF023		Push-in T fitting 1/8bd sl6mm (PPSU)
6503-E	26	SE	4EMT027		Pump 0-15bar
6503-E	27	SW	5RVA019		Rubber pump mounting
6503-E	28	SE	4KVL013		T-connector 4mm
6503-E	29		6CKB511		Thermal cut-out / temperature protection
6503-E	30	SE	4XSL035		Pressure tube 6mm
					<b>HISTORY</b>
6503-E	05	SW	<del>6VBL071</del>		Pressure boiler 1400W 230VAC Replaced by 6VBL117 from S/N 2021.14.0428.001; check Information Bulletin IB-20210608 for more details

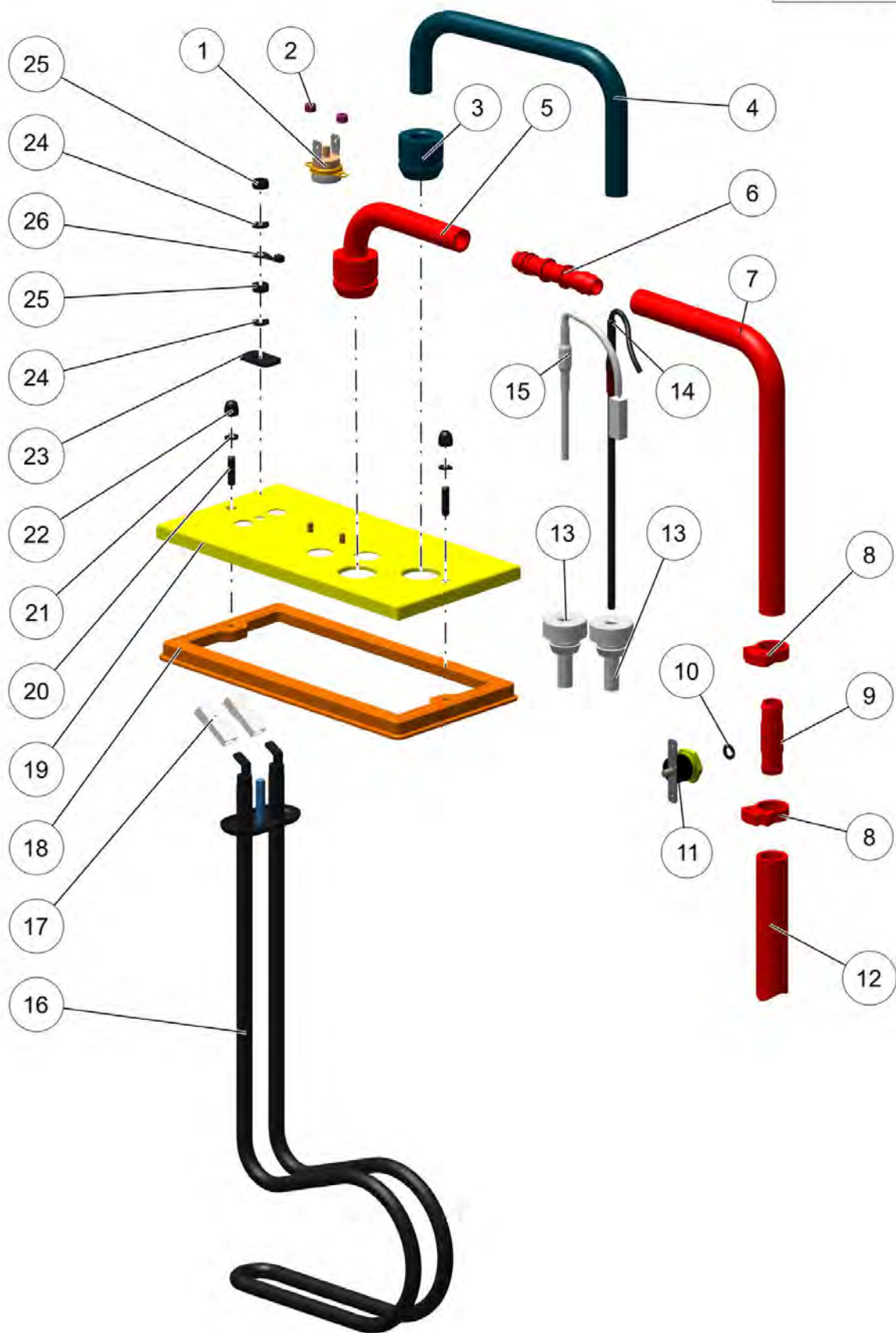
6507-A



<i>Drawing</i>	<i>Pos</i>	<i>S</i>	<i>Part Nr</i>	<i>Qty</i>	<i>Spare Part Description</i>
					<b>References</b>
65071					Refer to drawing 65071: Open boiler Lid XEA
65072					Refer to drawing 65072: Open boiler Vessel XEA
					<b>Parts</b>
6507-A	01		5MVL053	1	Plate for outlet valves <i>only needed if 3 outlet valves are installed</i>

- Part numbers marked with "SE" are Service parts Engineer stock
- Part numbers marked with "SW" are Service parts Warehouse stock
- Part numbers marked with "n/a" are Not Available as spare part
- De Jong Duke recommends to have service parts available on local (SW) or car (SE) stock.

65071-A

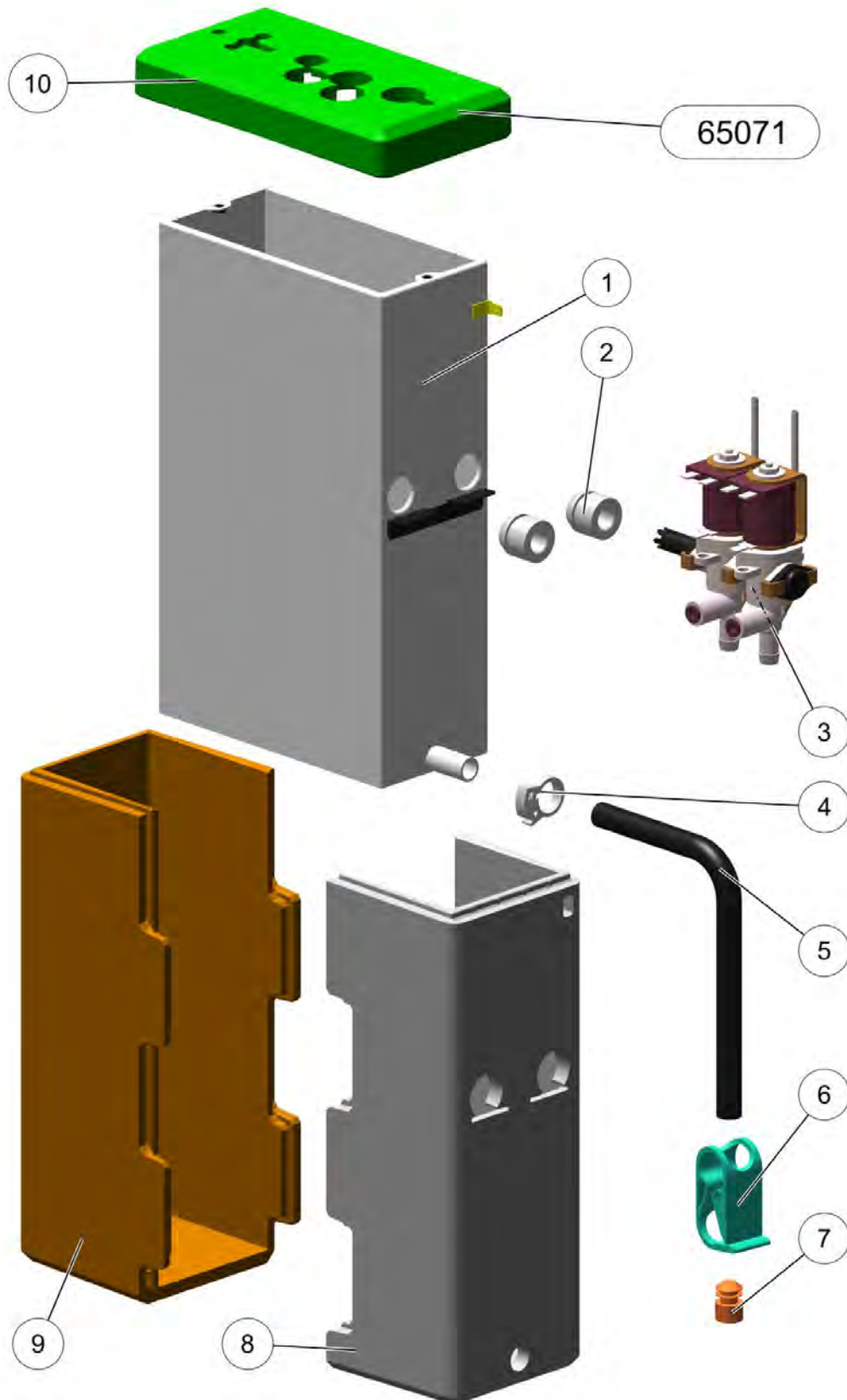




<i>Drawing</i>	<i>Pos</i>	<i>S</i>	<i>Part Nr</i>	<i>Qty</i>	<i>Spare Part Description</i>
					<b>SETS</b>
65071-A		SW	6VUL060	1	Clixon Assembly <i>with items 09, 10, 11</i>
					<b>Open Boiler Lid</b>
65071-A		SW	6VBL138		Open Boiler Lid Assembly 1x 2250W 230V AC <i>with items 1-3, 13-16, 17, 19, 23-25</i>
					<b>Open Boiler Assembly Complete</b>
65071-A		SW	6VBL137		Open Boiler Assembly 1x 2250W 230V <i>contains assembly 6VBL138 and items 18, 20-22 and items 08-10 from drawing 65072</i>
					<b>PARTS</b>
65071-A	01	SW	4EBV017	1	Temperature safety 110 Celcius (clixon)
65071-A	02		4BMZ043	2	Nut lock M3
65071-A	03	SE	5RDT004	1	Open fitting stainless-steel-boiler
65071-A	04		5MVL151	1	Inlet pipe boiler 130mm
65071-A	05	SW	5RDT006	1	Tube overflow
65071-A	06		4KVL014	1	Tube connection 12-12
65071-A	07		XF50A		Supply hose
65071-A	08		4BKM022	2	Hose Clamp Water Tank Inlet d= 13.5-15
65071-A	09		5MVL148	1	Clixon pipe
65071-A	10		4BVR010	1	Spring washer M5
65071-A	11	SW	B52	1	Clixon Steam Protection 90 Celcius
65071-A	12		XF50A		Supply hose
65071-A	13	SW	5RDT009	2	Stopfitting sensor boiler
65071-A	14	SE	5ESE009	1	Temperature sensor 140mm for open boiler
65071-A	15	SE	5ESE010	1	Level probe open boiler
65071-A	16	SW	5EVW016	1	Heater element 2250W 230V AC short
65071-A	17		6CKB458	1	Wire harness open boiler 230V
65071-A	18	SW	5RVA017	1	Seal Open boiler
65071-A	19		5MVL147	1	Boiler lid for 1 heater
65071-A	20		4BBY029	2	Screw M4x16 stainless steel
65071-A	21		4BVR018	2	Spring washer M4 stainless steel
65071-A	22		4BMZ023	2	Acorn nut M4 stainless steel
65071-A	23		5MVL123	1	Fixation plate heater
65071-A	24		4BVR017	2	Spring washer M5 stainless steel
65071-A	25		4BMZ022	2	Nut M5
65071-A	26			1	Ground wire (from wire harness - pos 17)
<b>HISTORY</b>					

- Part numbers marked with "SE" are Service parts Engineer stock
- Part numbers marked with "SW" are Service parts Warehouse stock
- Part numbers marked with "n/a" are Not Available as spare part
- De Jong Duke recommends to have service parts available on local (SE) or car stock (SW).

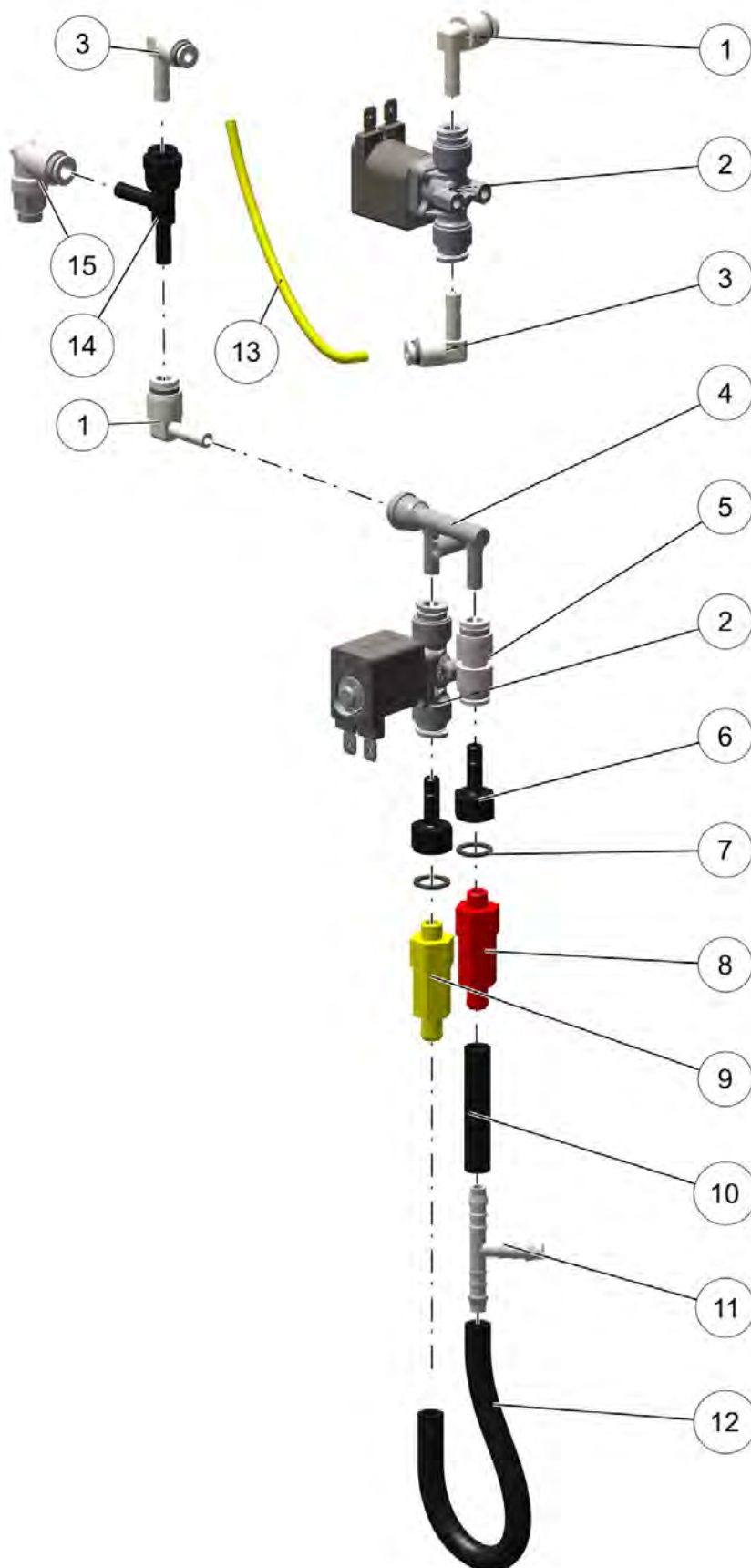
65072-A



<i>Drawing</i>	<i>Pos</i>	<i>S</i>	<i>Part Nr</i>	<i>Qty</i>	<i>Spare Part Description</i>
65072-A	01		6VBL136	1	Boiler tank stainless steel
65072-A	02	SE	5RDT004	2	Open fitting stainless-steel-boiler
65072-A	03	SE	4EMV022	n	Outlet valve Muller Single Left (24v)
65072-A	03	SE	4EMV023	n	Outlet valve Muller Double Left (24v)
65072-A	03	SE	4EMV024	n	Outlet valve Muller 3-way Left (24v)
65072-A	05		4XSL005	1	tube 10x14
65072-A	06		4KVL010	1	Cut-off clamp hose 19 mm
65072-A	07		4KDS006	1	Draining plug boiler
65072-A	08		5KVL089	1	Open boiler Short Isolation (with holes)
65072-A	09		5KVL091	1	Open boiler Isolation (no holes)
65072-A	10		5KVL090	1	Open boiler Isolation (lid)
<b>HISTORY</b>					

- Part numbers marked with "SE" are Service parts Engineer stock
- Part numbers marked with "SW" are Service parts Warehouse stock
- Part numbers marked with "n/a" are Not Available as spare part
- De Jong Duke recommends to have service parts available on local (SW) or car (SE) stock.

6608-A

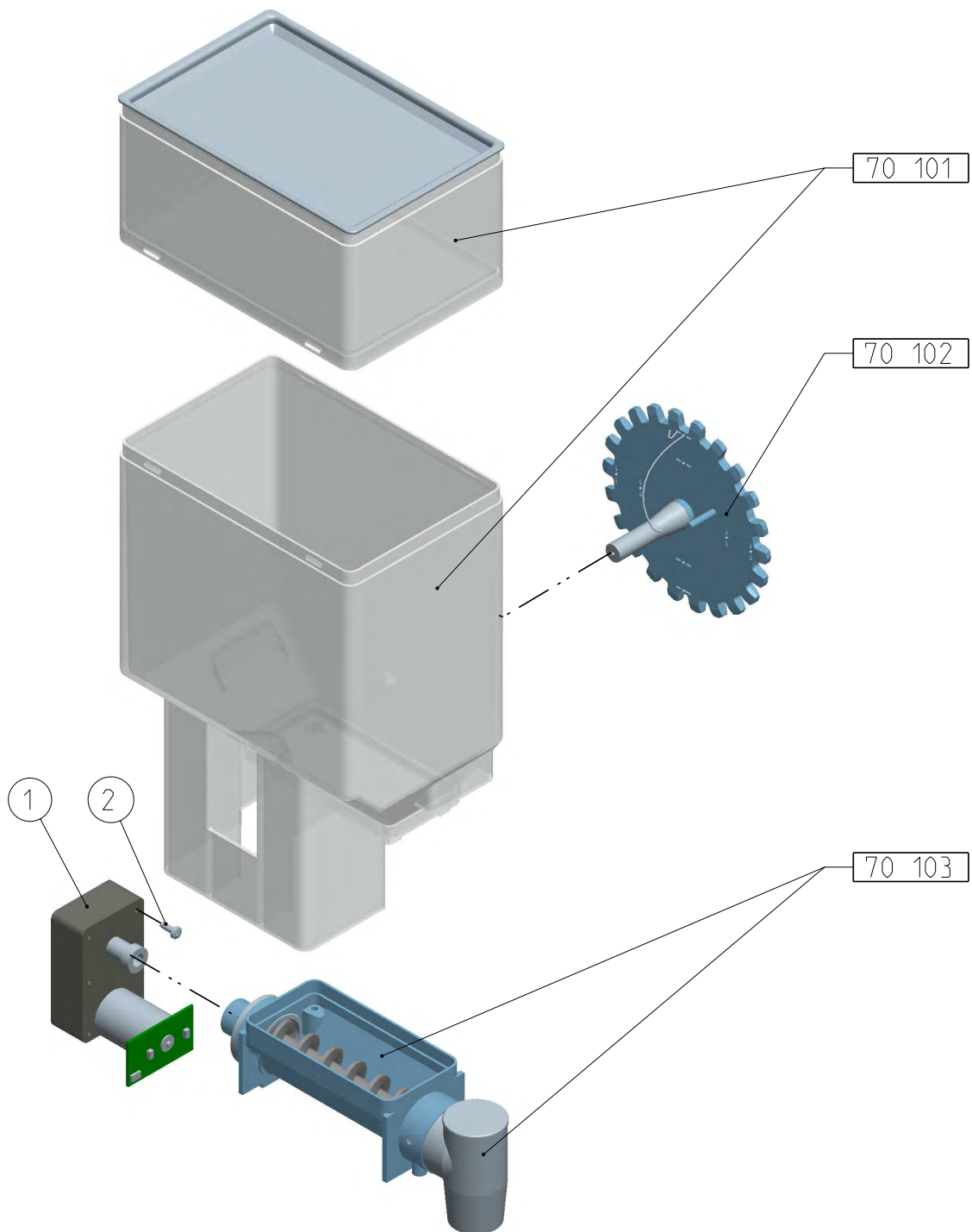


<i>Drawing</i>			<i>Part Nr</i>	<i>Qty</i>	<i>Spare Part Description</i>
6608-A	01		4KPF030	1	Quick Connection PPSU L pipe6-sl6
6608-A	02		4EMV062	4	Outlet Valve PPSU 2-way DN1,5/16bar
6608-A	03		4KPF053	1	Quick Connection PPSU L pipe6 sl4
6608-A	04		4KPF036	1	Manifold PPSU 2-out closed
6608-A	05		4KPF025	1	Quick Connection PPSU straight sl6mm-sl6mm
6608-A	06		5MPF009	2	Push-in straight fitting G1/8bd sl6mm (stainless steel)
6608-A	07		4BPR031	2	Sealing ring fiber 10x14x1
6608-A	08		4MPF085	1	Safety Valve 12 bar (stainless steel 303)
6608-A	09		4MPF084	1	Safety Valve 2 bar (stainless steel 303)
6608-A	10		4XSL002	1	Silicone tube grey 6x10
6608-A	11		4KVL013	1	T-connector 4mm (POM)
6608-A	12		4XSL002	1	Silicone tube grey 6x10
6608-A	13		4XSL047	1	Pressure Tube 2x4mm
6608-A	14		4KPF055	1	Quick connection PPSU T 6-6-sl6
6608-A	15		4KPF027	1	Quick connection PPSU L 1/8bd sl6mm

**HISTORY**


- Part numbers marked with "SE" are Service parts Engineer stock
- Part numbers marked with "SW" are Service parts Warehouse stock
- Part numbers marked with "n/a" are Not Available as spare part
- De Jong Duke recommends to have service parts available on local (SW) or car stock (SE).

7010-B



<i>Drawing</i>	<i>Pos</i>	<i>S</i>	<i>Part Nr</i>	<i>Qty</i>	<i>Spare Part Description</i>
70101					Refer to drawing 70101: Canister Body
70102					Refer to drawing 70102: Canister Wheel and Spring
70103					Refer to drawing 70103: Canister Spring
7010-B	01	SE	5EMT007	1	Powder motor 120 rpm 24VDC
7010-B	02		4BSC036	2	Cutting screw 3.5x9.5

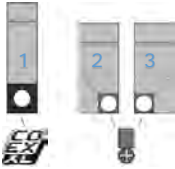
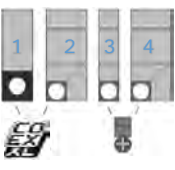
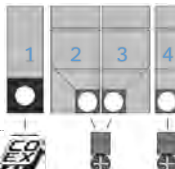
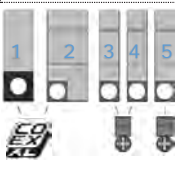
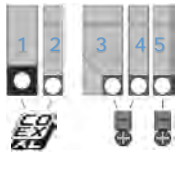
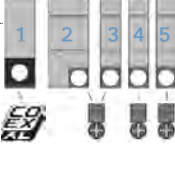


**CANISTER OVERVIEW**

TYPE	ORD#NBR	INGREDIENT												
		BEANS	COFFEE	INSTANT COFFEE	DECAF COFFEE	INSTANT DECAF	SUGAR	SOUP	INSTANT TEA	TEA	TOPPING	CHOC	MILK	FRENCH VANILLA
	6DCN335 BEANS IN DOOR	+												
	9DCN088 * BEAN CANISTER	+												
*) 9DCN088 also available with lock: 9DCN090 or with extension: 9DCN089 or extension with lock: 9DCN091														
<b>58</b>														
	9DCN100111			+										
	9DCN100113							+						
	9DCN100114									+				
	9DCN120113		+		+						+	+		
	9DCN101111			+		+					+			
	9DCN101113							+						
	9DCN101114									+				
	9DCN121113		+		+				+			+	+	+
<b>88</b>														
	9DCN320113		+									+		
	9DCN201111			+										
	9DCN220113		+											
	9DCN221113								+			+		
	9DCN321113											+	+	
<b>118</b>														
	9DCN420113											+	+	
	9DCN401111			+										
	9DCN401113								+					
	9DCN421113		+		+							+	+	
	9DCN520113		+									+	+	
	9DCN521113		+									+	+	
<b>174</b>														
	9DCN620113		+									+	+	
	9DCN601111			+										
	9DCN621113		+											
	9DCN621123		+											

O:\Duke\Afdelingen\Aftersales\02- Knowledge Base\# AS&CS\_Documentation\\_Doc\_General\Canister Configurations\CANISTER\_CONFIGURATIONS\_OVERVIEW\_9DCNx\_9CKA\_V09.docx



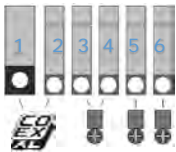
<b>9XEA</b>		<b>VISIBLE BEAN CANISTER</b>					<b>INGREDIENT</b>	<b>ORD# CAN.</b>	<b>ORD# OUTLET</b>	
#		1	2	3	4	6	7			
	19123	1020 – 45	1	BC				BEANS	9DCN088*	6DUL011***
	2		118					CHOC	9DCN521113	6DUL009
	3			118				TOPPING	9DCN421113	5KPD042+5KPD039
	19124	2020 – 245	1	BC				BEANS	9DCN088*	6DUL011***
	2		118					COFF / DECAF	9DCN421113	6DUL012
	3A							TOPPING	9DCN121113	6DUL009
	3B			58				CHOC	9DCN121113	6DUL009
	4A							TOPPING	9DCN421113	5KPD042+5KPD039
	4B				118			CHOC	9DCN421113	5KPD042+5KPD039
	19134	1201 – 346	1	BC				BEANS	9DCN088*	6DUL011***
	2		118					CHOC	9DCN521113	5KPD041+5KPD039
	3			118				TOPPING	9DCN421113	5KPD042+5KPD039
	4A							SUGAR	9DCN101113	6DUL016
	4B				58			I-COFFEE	9DCN101111	6DUL016
	19135	2021 – 2456	1	BC				BEANS	9DCN088*	6DUL011***
	2		118					COFFEE	9DCN421113	6DUL012
	3			58				CHOC	9DCN121113	6DUL009
	4				58			TOPPING	9DCN121113	5KPD042+5KPD039
	5A							SUGAR	9DCN101113	5KPD016+5KPD039
	5B				58			I-COFFEE	9DCN101111	5KPD016+5KPD039
	19135	2021 – 2456	1	BC				BEANS	9DCN088*	6DUL011***
	2		58					COFFEE	9DCN121113	6DUL012
	3			118				CHOC	9DCN521113	6DUL009
	4				58			TOPPING	9DCN121113	5KPD042+5KPD039
	5					58		SUGAR	9DCN101113	5KPD016+5KPD039
	19145	1211 – 3456	1	BC				BEANS	9DCN088*	6DUL011***
	2A		118					CHOC	9DCN521113	5KPD041+5KPD039
	2B		118					TOPPING	9DCN521113	5KPD041+5KPD039
	3A			58				TOPPING	9DCN121113	5KPD042+5KPD039
	3B			58				CHOC	9DCN121113	5KPD042+5KPD039
	4A				58			SUGAR	9DCN101113	5KPD016+5KPD039
	4B				58			I-TEA	9DCN101114	5KPD016+5KPD039
	5A					58		I-COFFEE	9DCN101111	5KPD016+5KPD039
	5B					58		SUGAR	9DCN101113	5KPD016+5KPD039

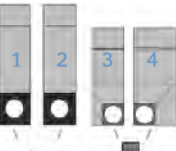
9xea-1-2

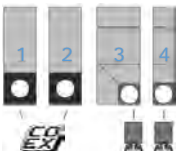
\*) 9DCN088 also available with lock: 9DCN090 or with extension: 9DCN089 or extension with lock: 9DCN091

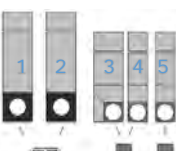
\*\*) When the D-grinder is installed use the 5KBN028 (outlet) and the 5KBN029 (cap)

**9XEA** **VISIBLE BEAN CANISTER – CONTINUED**

#	1	2	3	4	6	7	INGREDIENT	ORD# CAN.	ORD# OUTLET	
	1	BC					BEANS	9DCN088*	6DUL011***	
	2		58				COFF / DECAF	9DCN121113	6DUL012	
	3			58			CHOC	9DCN121113	5KPD041+5KPD039	
	4				58		TOPPING	9DCN121113	5KPD042+5KPD039	
	5					58	SUGAR	9DCN101113	5KPD016+5KPD039	
	6A							M-TOPPING	9DCN121113	5KPD016+5KPD039
	6B							I-COFFEE	9DCN101111	5KPD016+5KPD039
	6C						58	SOUP	9DCN121113	5KPD016+5KPD039
	6D							I-TEA	9DCN101114	5KPD016+5KPD039
	6E							FRENCH-VANILLA	9DCN121113	5KPD016+5KPD039

#	1	2	3	4	6	7	INGREDIENT	ORD# CAN.	ORD# OUTLET	
	1	BC					BEANS1	9DCN088*	6DUL011***	
	2		BC				BEANS2	9DCN088*	6DUL011***	
	3A							CHOC	9DCN121113	6DUL009
	3B						58 **	TOPPING	9DCN121113	6DUL009
	3A							CHOC	9DCN321113	6DUL009
	3B						88 **	TOPPING	9DCN321113	6DUL009
	4A							TOPPING	9DCN421113	5KPD042+5KPD039
	4B						58	CHOC	9DCN421113	5KPD042+5KPD039

#	1	2	3	4	6	7	INGREDIENT	ORD# CAN.	ORD# OUTLET
	1	BC					BEANS1	9DCN088*	6DUL011***
	2		BC				BEANS2	9DCN088*	6DUL011***
	3			118			CHOC / TOP.	9DCN521113	5KPD016+5KPD039
	4				58		TOP. / CHOC	9DCN121113	5KPD016+5KPD039

#	1	2	3	4	6	7	INGREDIENT	ORD# CAN.	ORD# OUTLET
	1	BC					BEANS1	9DCN088*	6DUL011***
	2		BC				BEANS2	9DCN088*	6DUL011***
	3			58	**		CHOC	9DCN121113	6DUL009
	3			88	**		CHOC	9DCN321113	6DUL009
	4				58		TOPPING	9DCN121113	5KPD042+5KPD039
5					58		SUGAR	9DCN101113	5KPD016+5KPD039

9xea-2-3

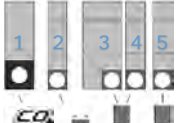
\*) 9DCN088 also available with lock: 9DCN090 or with extension: 9DCN089 or extension with lock: 9DCN091

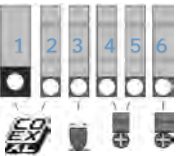
\*\*\*) 19224/19235 models: s/n>2021.35.XXXX.001 with D-grinders -> 3rd canister 88mm instead of 58mm.

\*\*\*\*) When the D-grinder is installed use the 5KBN028 (outlet) and the 5KBN029 (cap)



**9XEA** **VISIBLE BEAN CANISTER AND TEA BREWER**





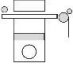


#	1	2	3	4	6	7	INGREDIENT	ORD# CAN.	ORD# OUTLET
<b>19645</b> 1121 - 2456	1	BC					BEANS	9DCN088*	6DUL011***
	2		58				TEA	9DCN101111	6DUL006
	3			118			CHOC	9DCN521113	6DUL009
	4				58		TOPPING	9DCN121113	5KPD042+5KPD039
	5					58	SUGAR	9DCN101113	5KPD016+5KPD039










<b>19646</b> 2121.23456	1	BC					BEANS	9DCN088*	6DUL011***
	2		58				DECAF /COFF	9DCN121113	6DUL012
	3			58			TEA	9DCN101111	5KPD041+5KPD039
	4				58		CHOC	9DCN121113	6DUL009
	5					58	TOPPING	9DCN121113	5KPD042+5KPD039
	6A						SUGAR	9DCN101113	5KPD016+5KPD039
	6B					58	I-COFFEE	9DCN101111	5KPD016+5KPD039
	6C						SOUP	9DCN121113	5KPD016+5KPD039




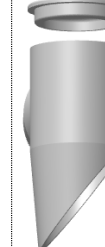





9xea-3-3

\*) 9DCN088 also available with lock: 9DCN090 or with extension: 9DCN089 or extension with lock: 9DCN091  
 \*\*\*) When the D-grinder is installed use the 5KBN028 (outlet) and the 5KBN029 (cap)

LEGEND											
	#	1	2	3	4	6	7	8	INGR.	ORD# CAN.	ORD# OUTLET
CANISTERS CONFIGURATION	POSITION AND WIDTH OF CANISTER IN MACHINE								INGREDIENT FOR THIS CANISTER	ORDER NUMBER FOR THIS CANISTER	ORDER NUMBER FOR OUTLETS BASED ON POSITION OF CANISTER

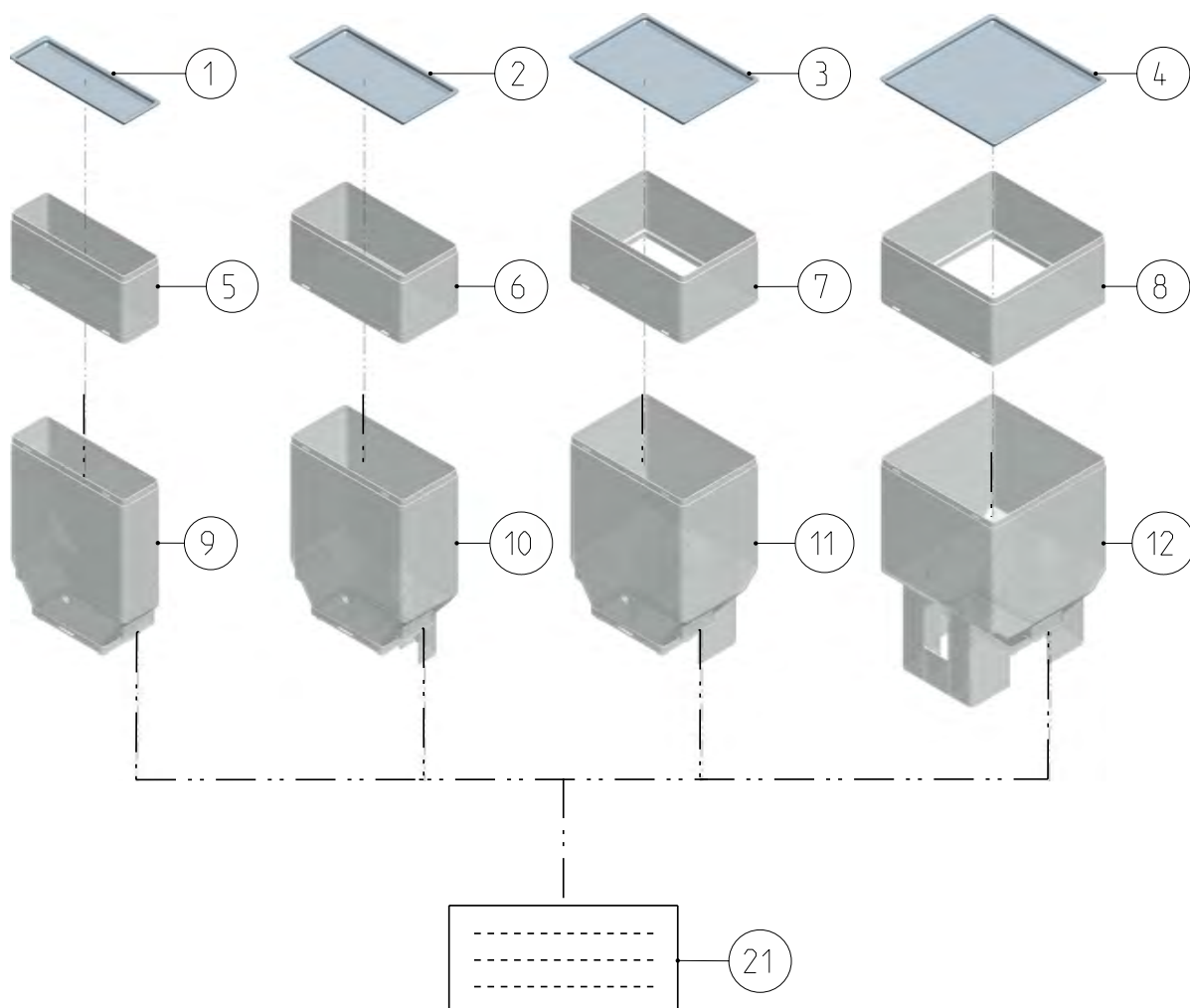
SYMBOLS		INGREDIENTS	
	BD = BEANS IN DOOR		COEX BREWER
	BC = BEAN CANISTER		COEX XL BREWER
			UNI-BREWER
			TEA BREWER
			MIXER
			BEANS = WHOLE BEANS
			COFFEE = GROUND COFFEE
			CHOC = CHOCOLATE
			TOP. = TOPPING
			DECAF = DECAFFEINATED COFFEE
			I-DECAF = INSTANT DECAFFEINATED COFFEE
			I-COFFEE = INSTANT COFFEE
			I-TEA = INSTANT TEA
			M-TOPPING = MILK TOPPING
			TEA = LEAF TEA

6DUL006 L=101	6DUL008 L=101	6DUL009 L=87	6DUL011 L=134	6DUL012 L=80	6DUL014 L=105	6DUL016 L=70	6DUL017 L=110	5KBN028+5KBN029 L=128
								
								D-grinder only

6DUL020 L=122	6DUL023 L=137	6DUL024 L=123	6DUL026 L=74	5KPD016 * L=63	5KPD017 * L=143	5KPD041 * L=63	5KPD042 * L=63	5KPD005 * L=n/a
								

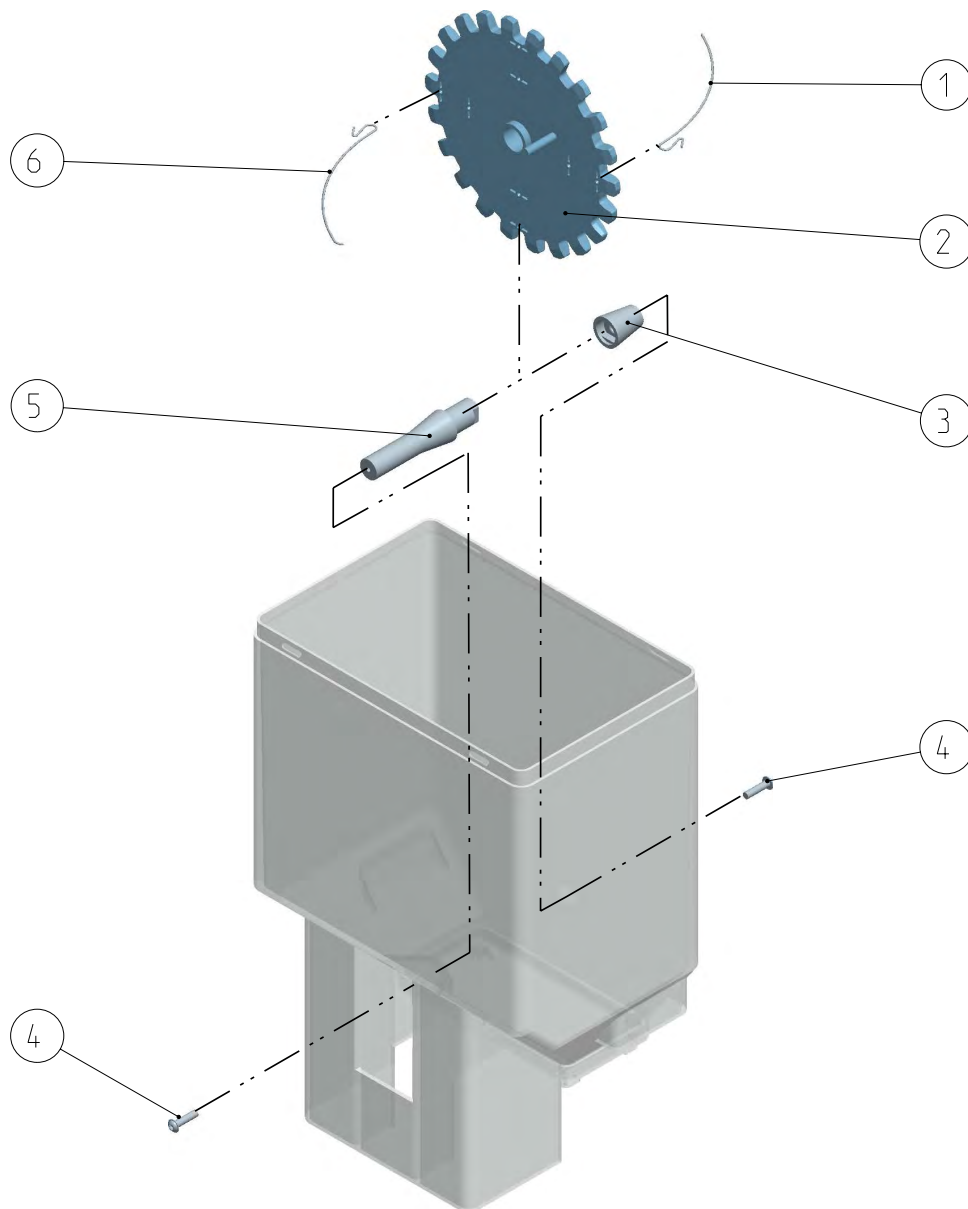
**\*) IMPORTANT:** When ordering canister outlets 5KPD\* do not forget to order cap 5KPD039, outlets 6DUL\* are delivered including the cap.

*PAGE INTENTIONALLY LEFT BLANK*



<i>Drawing</i>	<i>Pos</i>	<i>S</i>	<i>Part Nr</i>	<i>Qty</i>	<i>Spare Part Description</i>
70101-C	01		5KPD028		Lid B=58mm / 2 1/4"
70101-C	02		5KPD029		Lid B=88mm / 3 1/2"
70101-C	03		5KPD030		Lid B=118mm / 4 5/8"
70101-C	04		5KPD031		Lid B=174mm / 6 7/8"
70101-C	05		5KPD024		Extension piece B=58mm
70101-C	06		5KPD025		Extension piece B=88mm / 3 1/2"
70101-C	07		5KPD026		Extension piece B=118mm
70101-C	08		5KPD027		Extension piece B=174mm
70101-C	09		5KPD019		Canister body B=58mm / 2 1/4"
70101-C	10		5KPD020		Canister body B=88mm / 3 1/2"
70101-C	11		5KPD021		Canister body B=118mm / 4 5/8"
70101-C	12		5KPD022		Canister body B=174mm / 6 7/8"
70101-C	21		TP342		Sticker Coffee 1
70101-C	21		5TAG074		Sticker Coffee 2
70101-C	21		5TAG071		Sticker Instant Coffee
70101-C	21		TP344		Sticker Decaf
70101-C	21		TP347		Sticker Milk
70101-C	21		5TAG026		Sticker Topping
70101-C	21		TP349		Sticker Cappuccino
70101-C	21		TP348		Sticker Sugar
70101-C	21		5TAG072		Sticker French Vanille
70101-C	21		TP346		Sticker Tea
70101-C	21		TP343		Sticker Chocolate
70101-C	21		TP345		Sticker Soup 1
70101-C	21		5TAG075		Sticker Soup 2
70101-C	21	SW	5TAG068		All the stickers

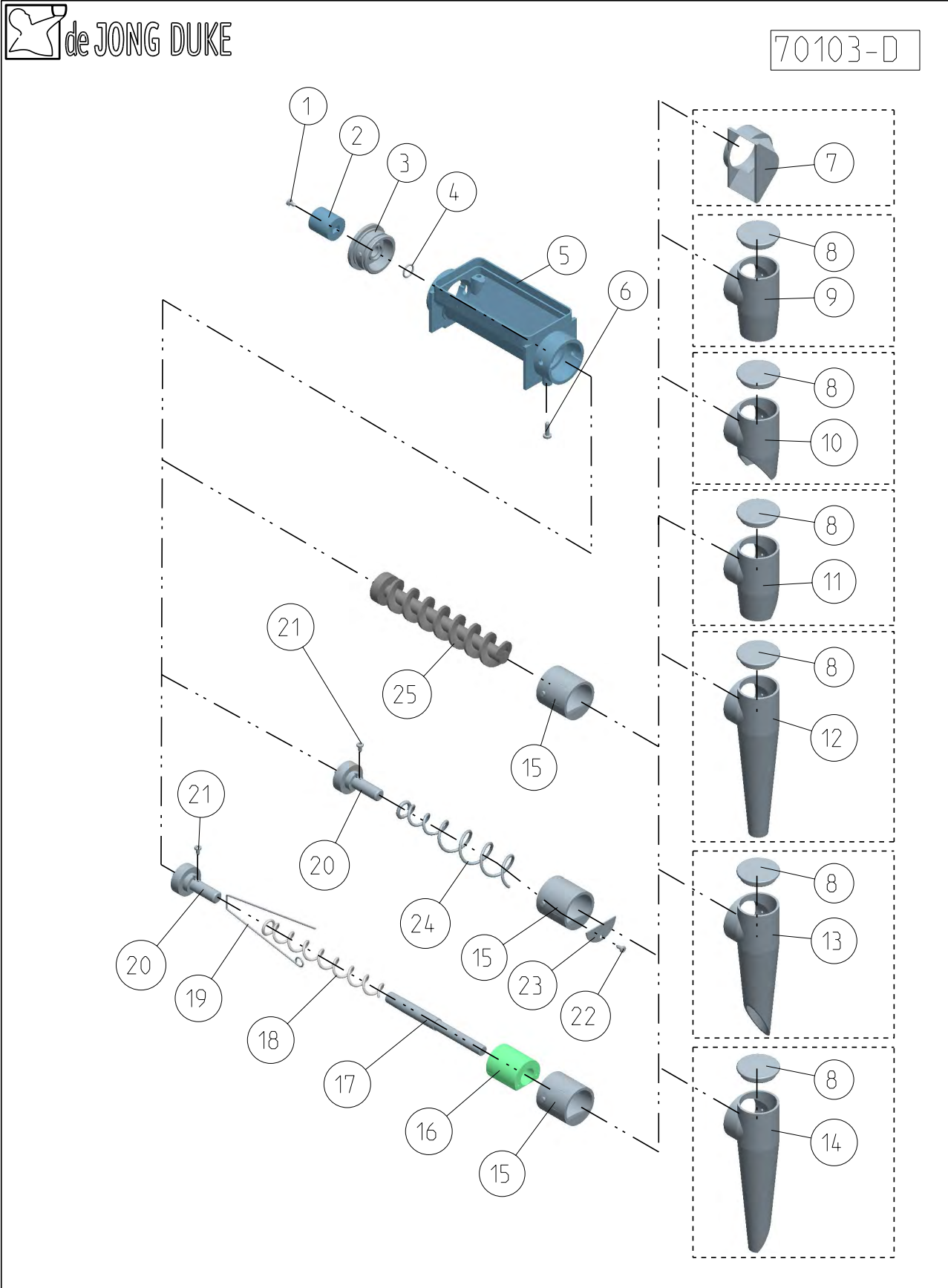
- Part numbers marked with "SE" are Service parts Engineer stock
- Part numbers marked with "SW" are Service parts Warehouse stock
- Part numbers marked with "n/a" are Not Available as spare part
- De Jong Duke recommends to have service parts available on local (SW) or car stock. (SE)





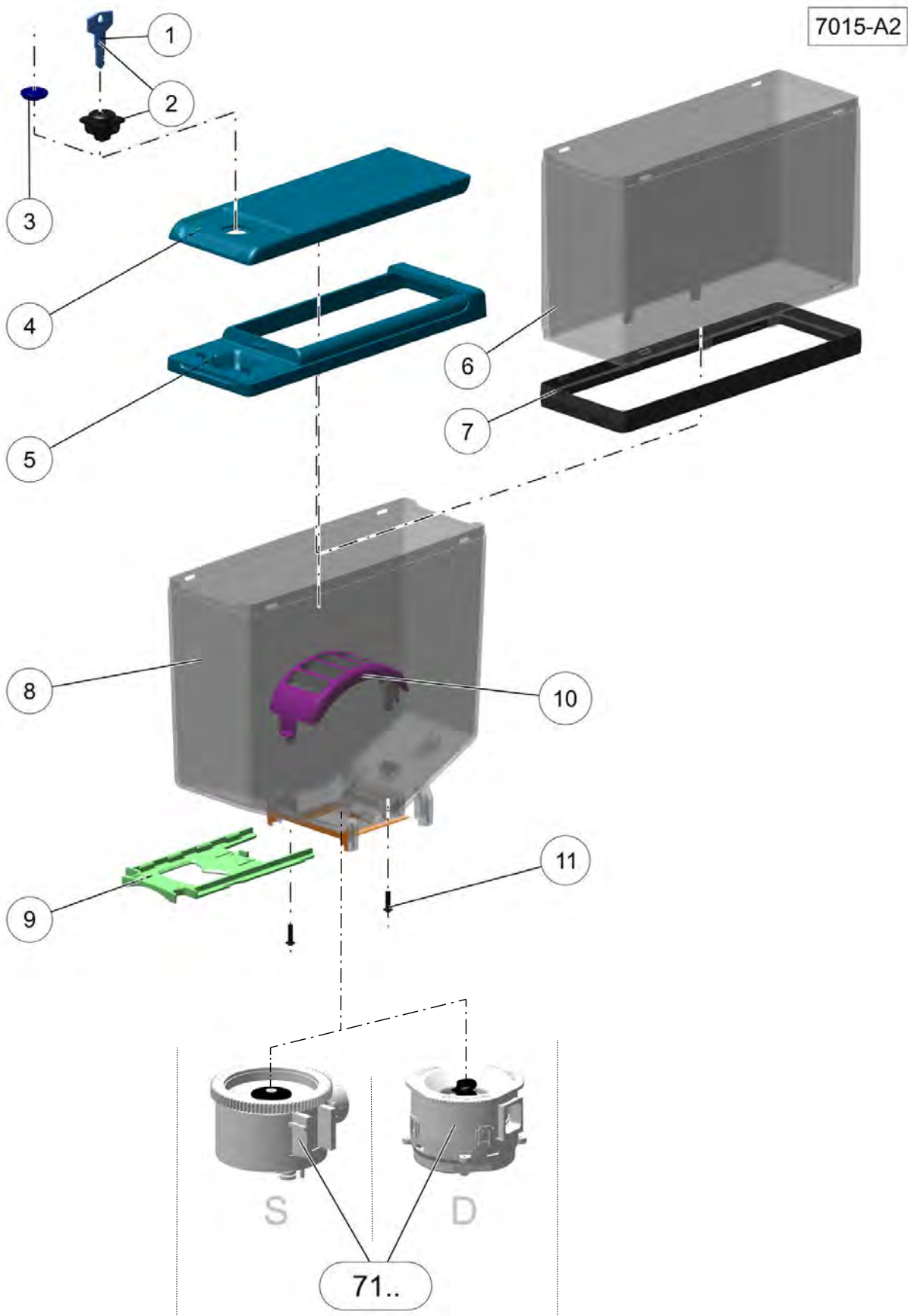
<i>Drawing</i>	<i>Pos</i>	<i>S</i>	<i>Part Nr</i>	<i>Qty</i>	<i>Spare Part Description</i>
70102-B		SW	9DCN085	1	Agitator set for canister 60,90,120 and 180mm <i>with items 1, 2, 6 (4x 5MPD064 , 2x 5MPD065)</i>
<b>Canister 60mm</b>					
70102-B	01		5MPD065	1	Spring container wheel short D=1 mm
70102-B	02		5KPD056	1	Agitator wheel
70102-B	03		5KPD048	1	Axis for auger wheel short
70102-B	04		4BSC013	2	Retaining screw 3.5x25
70102-B	05		5KPD049	1	Axis for auger wheel long
70102-B	06		5MPD065	1	Spring container wheel short D=1 mm
<b>Canister 90mm</b>					
70102-B	01		5MPD065	1	Spring container wheel short D=1 mm
70102-B	02		5KPD056	1	Agitator wheel
70102-B	03		5KPD048	1	Axis for auger wheel short
70102-B	04		4BSC013	2	Retaining screw 3.5x25
70102-B	05		5KPD050	1	Axis for auger wheel long
70102-B	06		5MPD064	2	Spring container wheel long D=1 mm
<b>Canister 120mm</b>					
70102-B	01		5MPD065	1	Spring container wheel short D=1 mm
70102-B	02		5KPD056	1	Agitator wheel
70102-B	03		5KPD048	1	Axis for auger wheel short
70102-B	04		4BSC013	2	Retaining screw 3.5x25
70102-B	05		5KPD050	1	Axis for auger wheel long
70102-B	06		5MPD064	2	Spring container wheel long D=1 mm
<b>Canister 180mm</b>					
70102-B	01		5MPD064	2	Spring container wheel long D=1 mm
70102-B	02		5KPD056	1	Agitator wheel
70102-B	03		5KPD047	1	Axis for auger wheel short
70102-B	04		4BSC013	1	Retaining screw 3.5x25
70102-B	04		4BSC031	1	Retaining screw 4x60
70102-B	05		5KPD050	1	Axis for auger wheel long
70102-B	06		5MPD064	2	Spring container wheel long D=1 mm

- Part numbers marked with "SE" are Service parts Engineer stock
- Part numbers marked with "SW" are Service parts Warehouse stock
- Part numbers marked with "n/a" are Not Available as spare part
- De Jong Duke recommends to have service parts available on local (SW) or car (SE) stock.



<i>Drawing</i>	<i>Pos</i>	<i>S</i>	<i>Part Nr</i>	<i>Qty</i>	<i>Spare Part Description</i>
70103-D	01		4BSC019		Screw 2.9x6.5
70103-D	02		5KPD009		Driver canister (female)
70103-D	03		5KLG002		Canister Bearing
70103-D	04		4ROR007		O-Ring 9.5x1.4
70103-D	05		5KPD055		Canister base
70103-D	06		<del>4BSC003</del>		Screw 9,5x13 <i>Not used anymore</i>
70103-D	07		5KPD005		Outlet canister nozzle side outlet
70103-D	08		5KPD039		Outlet canister nozzle cap
70103-D	09		5KPD016		Outlet canister nozzle short
70103-D	10		5KPD042		Outlet canister nozzle short right
70103-D	10		6DUL016		Outlet canister nozzle short right
70103-D	11		5KPD041		Outlet canister nozzle short left
70103-D	12		5KPD017		Outlet canister nozzle long
70103-D	12		6DUL011		Outlet grinder <i>9CND, 9CEC</i>
70103-D	12		6DUL026		Outlet canister <i>9CND</i>
70103-D	12		6DUL012		Outlet canister pipe <i>9CND-K2/ 9CEC-K1/2</i>
70103-D	12		6DUL020		Outlet grinder pipe left <i>9FND</i>
70103-D	12		6DUL024		Outlet grinder door virtu 80 127mm
70103-D	13		6DUL008		Dispensing nozzle long, mixer right <i>9FEC, 9IEA</i>
70103-D	14		6DUL009		Outlet canister for mixer left <i>9FND, 9CEC</i>
70103-D	14		6DUL006		Outlet canister (long) side outlet <i>left mixer 9FEC, tea 9CEC</i>
70103-D	15		5KPD044		Hopper outlet tube Short
70103-D	16		5KPD038		Insert for outlet
70103-D	17		<del>5MPD067</del>		Axis stainless steel for instant Tea <i>Not used anymore</i>
70103-D	18		5MPD086		Metal auger Short Ø12mm for instant Tea
70103-D	18		5MPD045		Metal auger Short Ø14.5mm for instant Coffee / Milk / Tea
70103-D	19		5MPD048		Metal spring auger Short for instant Milk
70103-D	20		5KPD036		Metal auger drive
70103-D	21		4BSC001		Sheet metal screw 2.9x6.5
70103-D	22		4BSC001		Sheet metal screw 2.9x6.5
70103-D	23		5MPD099		Shield plate for powder Topping / Choco
70103-D	24		5MPD100		Metal auger Ø23mm for powder Topping / Choco
70103-D	25		5KPD010		Auger Plastic Short Ø23mm for powder Topping / Choco / Sugar / Soup / Milk)

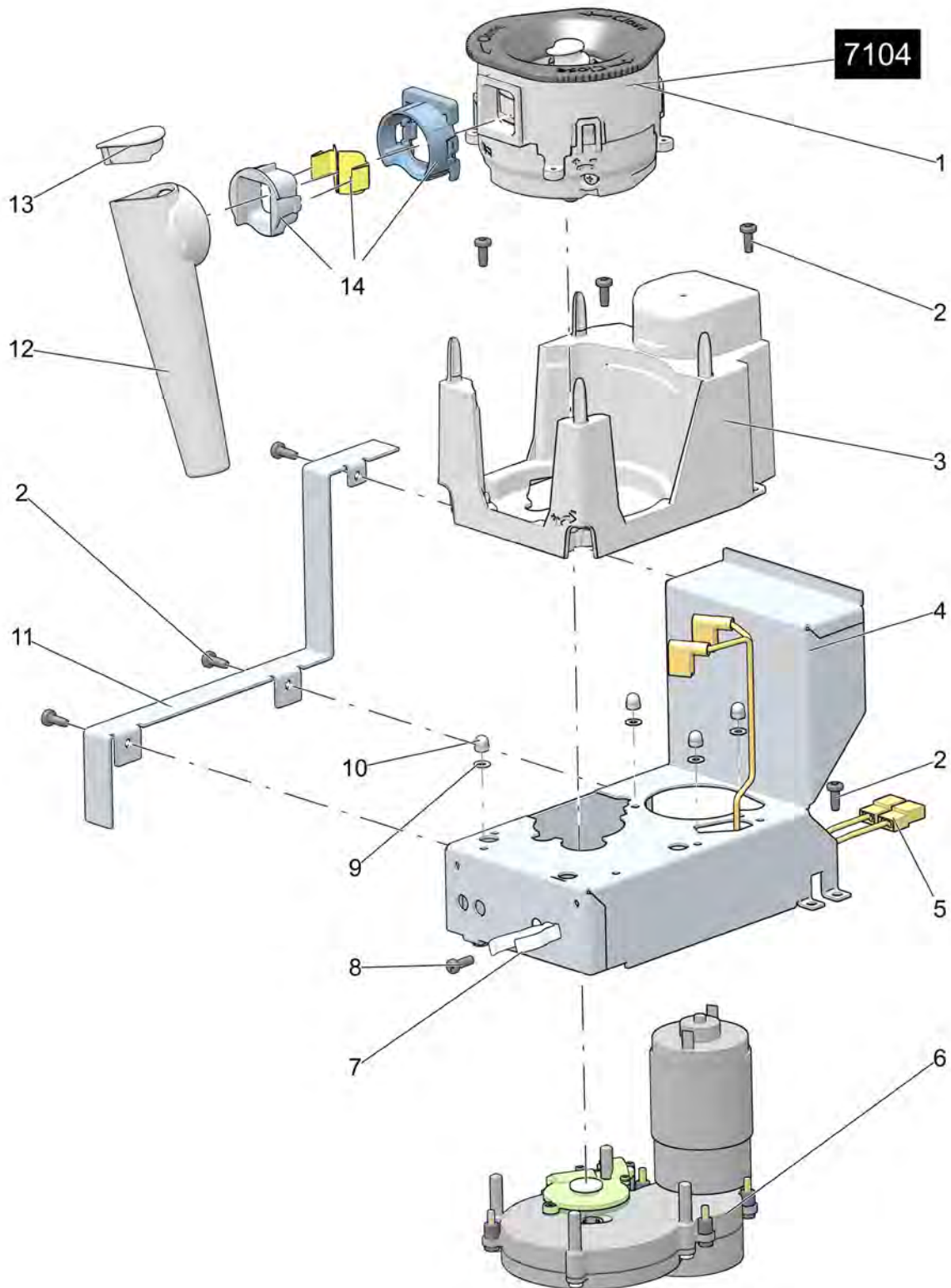
- Part numbers marked with "SE" are Service parts Engineer stock
- Part numbers marked with "SW" are Service parts Warehouse stock
- Part numbers marked with "n/a" are Not Available as spare part
- De Jong Duke recommends to have service parts available on local (SW) or car (SE) stock.



<i>Drawing</i>	<i>Pos</i>	<i>S</i>	<i>Part Nr</i>	<i>Qty</i>	<i>Spare Part Description</i>
					<b>REFERENCES</b>
71..					Refer to drawing : - 7102 S-Grinder - 7103 D-Grinder
					<b>SETS</b>
7015-A		SW	9DCN088	1	Complete canister with items 3, 4, 5, 8, 9, 10, 11
7015-A		SW	9DCN090	1	Complete canister with lock with items 1, 2, 4, 5, 8, 9, 10, 11
7015-A		SW	9DCN089	1	Complete canister with enlargement with items 3, 4, 5, 6, 7, 8, 9, 10, 11
7015-A		SW	9DCN091	1	Complete canister with enlargement and lock with items 1, 2, 4, 5, 6, 7, 8, 9, 10, 11
			9DCN092	1	Enlargement + fitting with items 6 and 7
					<b>PARTS</b>
7015-A	01	SW	4MHS031		Key for lock 4MHS030
7015-A	02	SW	4MHS030	1	Lock with key
7015-A	03		5RDK004	1	Stop for lid
7015-A	04		5KBN011	1	Lid
7015-A	05		5KBN010	1	Lid base
7015-A	06		5KBN013	1	Enlargement
7015-A	07		5KBN012	1	Enlargement fitting
7015-A	08		5KBN009	1	Canister base
7015-A	09		5KBN002	1	Canister locking slider
7015-A	10		5KBN034	1	Grinder shielding <i>Note: part will only fit in canisters in machines, produced from s/n: 2020.42.5969.001</i>
7015-A	11		4BSC036	2	Screw torx 3.5x13.5
					<b>HISTORY</b>
7015-A	08		5KBN009	1	Canister base <i>Replaced by 5KBN009 Canister base with grinder shielding from s/n: 2020.42.5969.001</i>

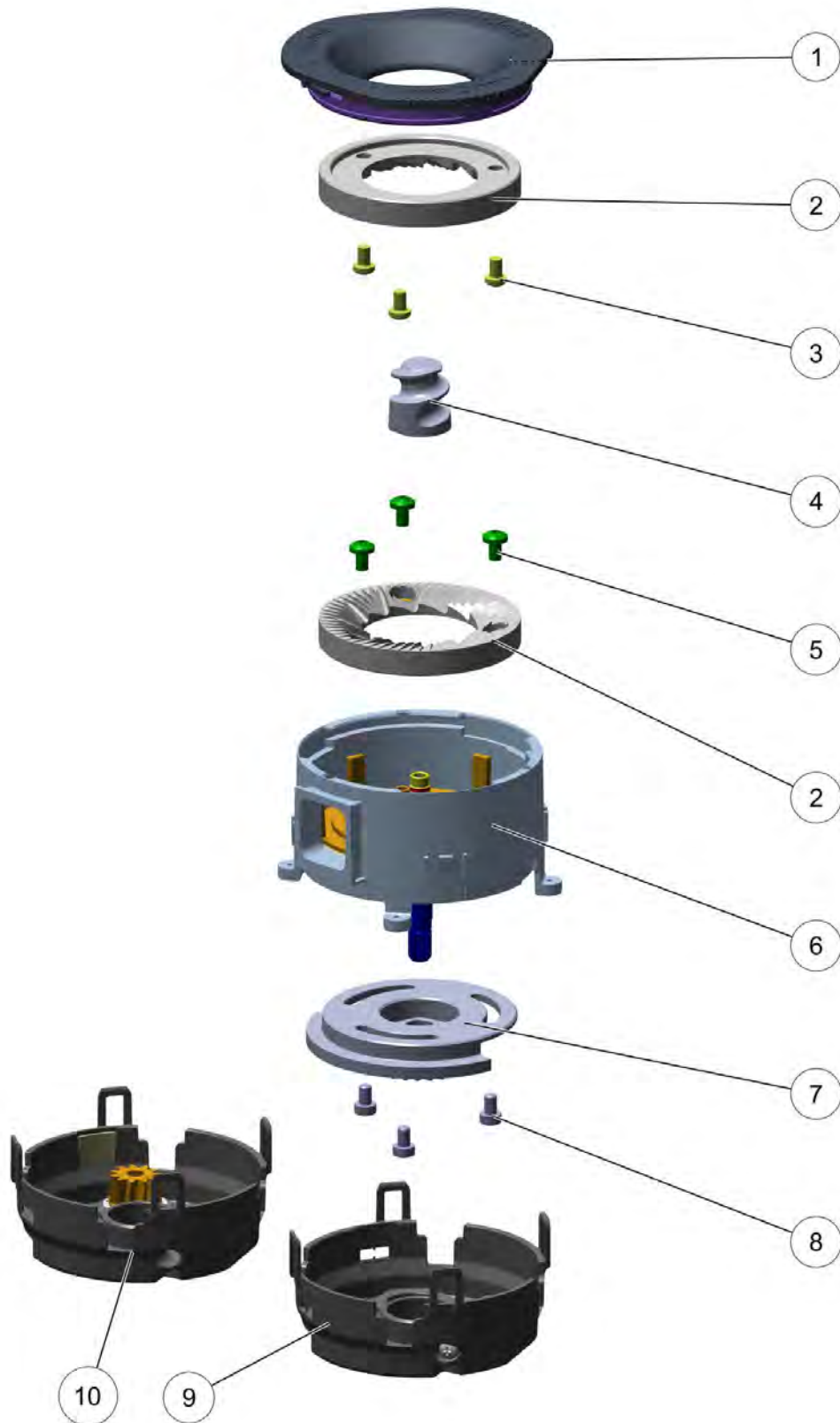
- Part numbers marked with "SE" are Service parts Engineer stock
- Part numbers marked with "SW" are Service parts Warehouse stock
- Part numbers marked with "n/a" are Not Available as spare part
- De Jong Duke recommends to have service parts available on local (SW) or car stock (SE).

7103-A



<i>Drawing</i>	<i>Pos</i>	<i>S</i>	<i>Part Nr</i>	<i>Qty</i>	<i>Spare Part Description</i>
					<b>REFERENCES</b>
7104					Refer to drawing: 7104 D-grinder
					<b>SETS</b>
7103-A		SW	9GES120		Set of 2 D-Grinder discs <i>no screws included</i>
7103-A			6KGR007		D-Grinder with motor - manual adjustment <i>with item 01 and 06</i>
7103-A			9GES121		D-Grinder complete with motor and frame - manual adjustment <i>with items 01 - 14 except 11</i>
					<b>PARTS</b>
7103-A	01		9GES038	1	D-Grinder only - manual adjustment <i>with item 14</i>
7103-A	02		4BSC022	7	Screw 3,5x9,5
7103-A	03		5KBN027	1	D-Grinder base
7103-A	04		5MBN006	1	D-Grinder frame <i>(XNA/CND/T0 - XEA/CEC/T1 only)</i>
7103-A	05		6CKB533	1	D-Grinder cable
7103-A	06		n/a	1	D-Grinder gear box <i>only available as set, see above</i>
7103-A	07		5KBN033	1	Outlet guide <i>(XNA/CND/T0 - XEA/CEC/T1 only)</i>
7103-A	08		4BSC055	1	Screw 3.5x10 (stainless steel)
7103-A	09		4BPR004	3	Washer M3
7103-A	10		4BMZ051	3	Acorn nut M3
7103-A	11		5MBN007	1	D-Grinder filler plate <i>(XNA/CND/T0 - XEA/CEC/T1 only)</i>
7103-A	12		5KBN028	1	Outlet
7103-A	13		5KBN029	1	Outlet cap
7103-A	14		9DCN097	1	D-Grinder outlet adapter set complete
					<b>HISTORY</b>
7103-A	01		6KGR009	1	D-Grinder only - manual adjustment

7104-A



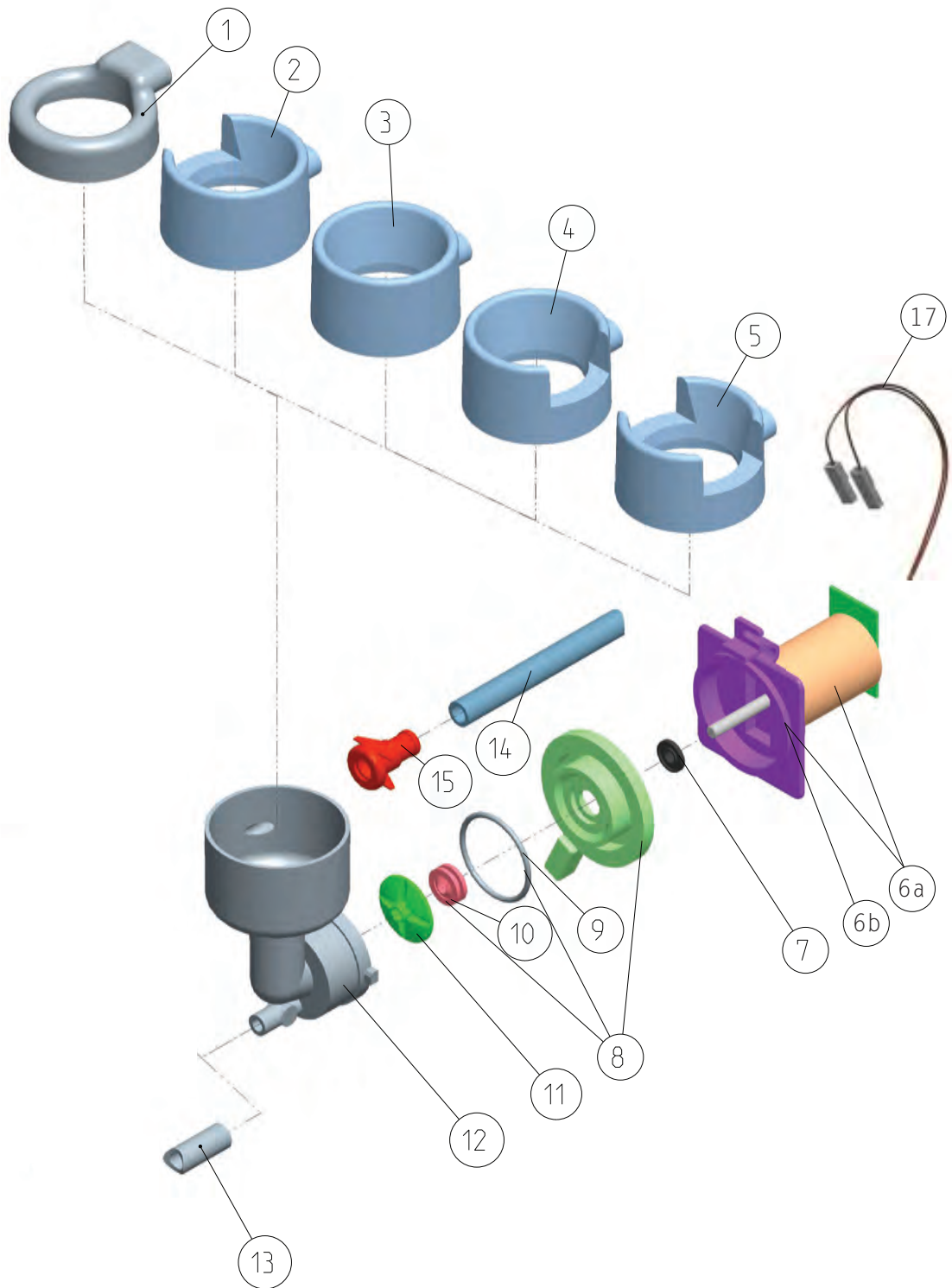


<i>Drawing</i>	<i>Pos</i>	<i>S</i>	<i>Part Nr</i>	<i>Qty</i>	<i>Spare Part Description</i>
					<b>SETS</b>
7104-A		SW	6KGR007		D-Grinder with motor, no frame, manual adjustment version <i>(see drawing 7103)</i>
7104-A		SW	9GES038		D-Grinder only - manual adjustment version <i>with items 1-10</i>
7104-A		SW	9GES120		Set of 2 grinder discs <i>no screws included</i>
					<b>PARTS</b>
7104-A	01		n/a	1	Grinder Bayonet cover
7104-A	02		n/a	2	D-grinder disc - see set above
7104-A	03		n/a	3	Screws upper disc
7104-A	04		n/a	1	Auger
7104-A	05		n/a	3	Screws lower disc
7104-A	06		n/a	1	Grinder house
7104-A	07		n/a	1	Adjustment wheel
7104-A	08		n/a	3	Screws adjustment wheel
7104-A	09		n/a	1	Grinder Adjustment cover - manual version
7104-A	10		n/a	1	Grinder Adjustment cover - electric version
<b>HISTORY</b>					
7104-A		SW	<del>6KGR009</del>		D-Grinder only - manual adjustment version <i>with items 1-10</i>

- Part numbers marked with "SE" are Service parts Engineer stock
- Part numbers marked with "SW" are Service parts Warehouse stock
- Part numbers marked with "n/a" are Not Available as spare part
- De Jong Duke recommends to have service parts available locally (SW) or as car stock (SE).

 de JONG DUKE

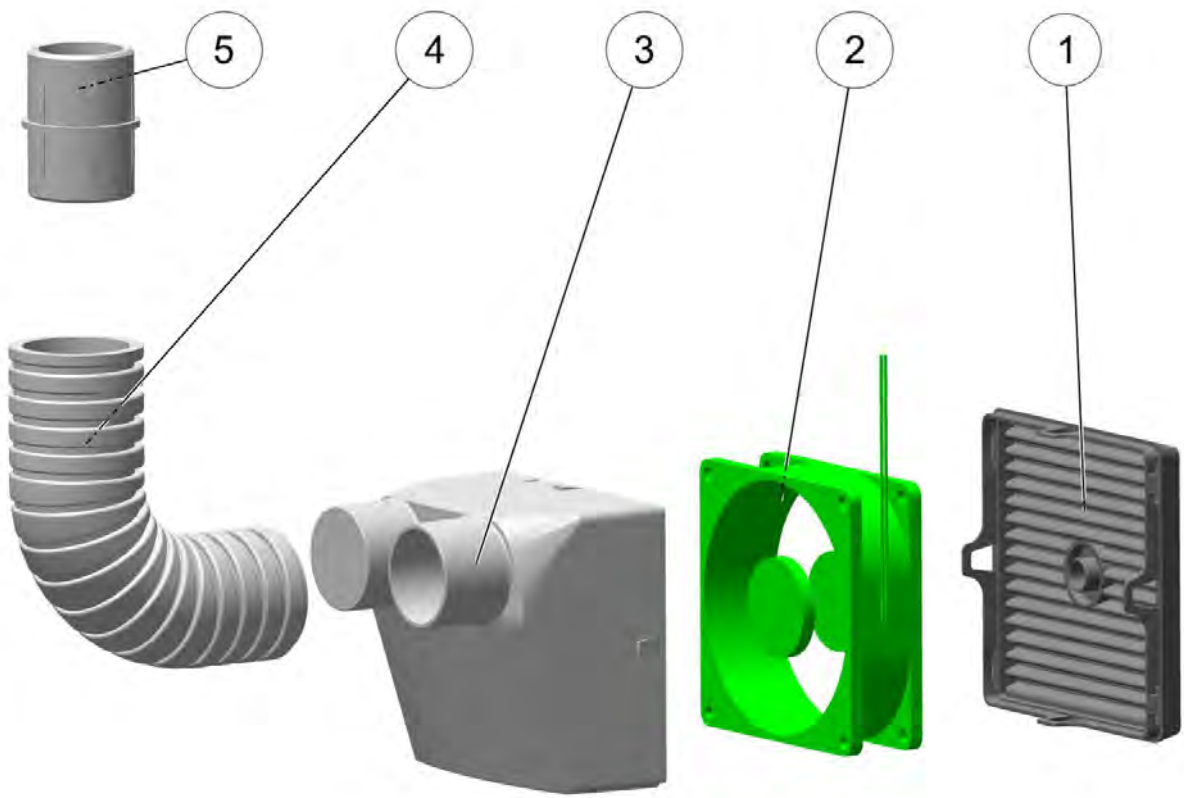
7503-D



<i>Drawing</i>	<i>Pos</i>	<i>S</i>	<i>Part Nr</i>	<i>Qty</i>	<i>Spare Part Description</i>
7503-D	01	SW	4KMX028	1	Mixer suction trap - steam ring (low model)
7503-D	02	SW	4KMX017	1	Mixer suction trap - vapour (left-side open)
7503-D	03	SW	4KMX015	4	Mixer suction trap - steam
7503-D	04	SW	4KMX016	1	Mixer suction trap - vapour (right-side open)
7503-D	05	SW	4KMX018	1	Mixer suction trap - vapour (left+right side open)
7503-D	6a	SE	4EMT024	4	Mixer motor 24v dc <i>including base plate 4KMX030 (pos 06b)</i>
7503-D	6b	SE	4KMX030	4	Base plate for Mixer motor
7503-D	07	SW	4KMX006	4	Slinger disc whipper base plate
7503-D	08	SW	4KMX026	4	Mixer bayonet catch
7503-D	09	SE	4ROR016	4	O-ring mixer plate
7503-D	10	SE	4RVA002	4	Seal whipper base plate
7503-D	11		4KMX019	4	Mixer propeller (old version)
7503-D	11	SW	4KMX027	4	Mixer propeller (integral)
7503-D	12	SW	4KMX025	4	Mixer house grey
7503-D	12	SW	4KMX031	2	Mixer house black (for mixer at pressure boiler)
7503-D	13	SE	4XSL003	1	Tube 8x12 grey
7503-D	14	SE	4XSL003	1	Tube 8x12 grey (when used with open boiler)
7503-D	14	SE	4XSL001	1	Tube 4x8 grey
7503-D	15	SE	4KDT004	4	Adapter for mixer house (not for 9CND/9XNA) <i>Replaced by 4KDT008 from S/N 2013.42.xxxx.001 for 9CND</i>
7503-D	15	SE	4KDT008	4	Adapter for mixer house (9CND/9XNA only)
7503-D	16				n/a
7503-D	17	SW	6CKB310	1	Wire harness with poly switch (safety)
7503-D	17	SW	6CKB208	1	Cable to main wire harness 2 mixers

- Part numbers marked with "SE" are Service parts Engineer stock
- Part numbers marked with "SW" are Service parts Warehouse stock
- Part numbers marked with "n/a" are Not Available as spare part
- De Jong Duke recommends to have service parts available on local (SW) or car (SE) stock.













7603-A


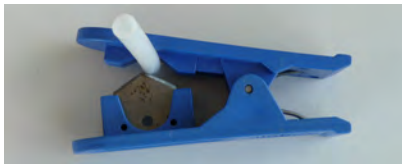





<i>Drawing</i>	<i>Pos</i>	<i>S</i>	<i>Part Nr</i>	<i>Qty</i>	<i>Spare Part Description</i>
7603-A	01		5KAF116	1	Protective Fan Grid
7603-A	02	SW	4EVT004	1	Fan motor 24V
7603-A	03		5KAF115	1	Fan housing
7603-A	04		4XSL030	1	Hose black Di=32mm
7603-A	05		5KPF002	1	Adaptor straight D=32 mm.




- Part numbers marked with "SE" are Service parts Engineer stock
- Part numbers marked with "SW" are Service parts Warehouse stock
- Part numbers marked with "n/a" are Not Available as spare part
- De Jong Duke recommends to have service parts directly available on local or car stock.

## Tool List General

Picture	Part Nr	Description
 	n/a	EN Flat screwdriver
		DE Schlitz Schraubendreher
		NL Platte schroevendraaier
		0.5 / 3.0 / 10 mm
		0.8 / 4.0 / 20 mm
 	n/a	EN Philips screwdriver
		DE Kreuzschlitzschraubendreher
		NL Kruiskop schroevendraaier
 	n/a	EN Torx screwdriver
		DE Torx Schraubendreher
		NL Torx schroevendraaier
		Torx 15, 22 mm
 	n/a	EN Socket screwdriver
		DE Steck Schlüsseldreher
		NL Dopsleutel
		07 / 15 mm
	n/a	EN Combination plier
		DE Kombinations-Zange
		NL Combinatietang
	n/a	EN Slip Joint Plier
		DE Wasserpumpen-Zange
		NL Waterpomptang
	n/a	EN Side Cutter
		DE Seiten Schneider
		NL Zijknijptang
	n/a	EN Knife
		DE Stanley Messer
		NL Stanley mes






Picture	Part Nr	Description	
	n/a	EN	Multimeter
		DE	Multimeter
		NL	Multimeter
	4HLP148	EN	Tube cutter
		DE	Schlauch abschneider
		NL	Slangknipper voor drukslang
	4HLP142	EN	Extraction tool <i>Mini Fit JR, 011030044</i>
		DE	Demontage Werkzeug <i>Mini Fit JR, 011030044</i>
		NL	Extraction tool <i>Mini Fit JR, 011030044</i>
	n/a	EN	Unlocking tool <i>John Guest ICLT/2</i>
		DE	Spann- und Lösehilfe <i>John Guest ICLT/2</i>
		NL	Slang-ontkoppel-set <i>John Guest ICLT/2</i>
	n/a	EN	Electrostatic discharge (ESD) wrist strap
		DE	Electrostatische Entladungen (ESD) Handgelenkband
		NL	Elektrostatische ontlading (ESD) polsband

**Tool List for machines with UNI-brewer**

Picture	Part Nr	Description	
	n/a	EN	Spanner Wrench
		DE	Ring-Maulschlüssel
		NL	Steeksleutel
			7 mm / 13 mm / 15 mm
	n/a	EN	Punch
		DE	Splinttreiber
		NL	Drevel
			3 mm 5 mm
	n/a	EN	Torgue wrench / screwdriver 1,8N/m
		DE	Torgue Schraubenschlüssel / Schraubendreher 1,8 N/m
		NL	Moment sleutel / schroevendraaier 1,8 N/m



## Tool List for machines with CoEx (XL) brewers

Picture	Part Nr	Description	
	4HLP132	EN	Filter head cleaner
		DE	Filter Kopf Putzer
		NL	Filterkop reiniger
	4HLP143	EN	CoEx outlet cleaner brush
		DE	CoEx Ausgabe Reinigungsbürste
		NL	CoEx uitgifte reinigingsborstel
	4HLP157	EN	Spanner wrench 14mm <i>Modified for sensor cable</i>
		DE	Schlüssel 14mm <i>Für Sensorkabel modifiziert</i>
		NL	Ringsleutel 14mm <i>Aangepast voor sensor kabel</i>
	n/a	EN	Allen Wrench / Hex key 5 mm <i>For new banjo bolts</i>
		DE	Innensechskant-schlüssel 5 mm <i>Für neue Banjobolzen</i>
		NL	Inbussleutel 5 mm <i>Voor nieuwe banjo bouten</i>
	9VDG001 9VDG002	EN	Pressure-gauge
		DE	Druckmesser
		NL	Manometer
			<i>Manometer 0-2 bar</i> <i>Manometer 0-16 bar</i>

**Disclaimer**

---

**Disclaimer Manufacturer**

Although this manual has been put together with the utmost care, J.M. de Jong DUKE automatenfabriek b.v. accepts no liability for inaccuracies or omissions. No liability is accepted for the consequences arising from operation of the equipment in accordance with the information contained in this manual.

J.M. de Jong DUKE automatenfabriek b.v. reserves the right to alter specifications at any time and without prior notification to the purchaser.

All rights reserved.

**Copyright**

J.M. de Jong DUKE automatenfabriek b.v. © 2022

The contents of this manual are copyrighted. Texts, images, and source files may only be used for professional purposes.

No part of this guide may be reused, modified, or published without the prior written permission of the manufacturer.

Printing pages is allowed only for professional use.

**Manufacturer**






**De Jong DUKE**  
Postbus 190  
3360 AD SLIEDRECHT  
The Netherlands

 +31 (0)184 209 767 (sales)  
 +31 (0)184 209 609 (support)  
 [www.dejongduke.nl](http://www.dejongduke.nl)  
 [spareparts@dejongduke.nl](mailto:spareparts@dejongduke.nl)  
 [support@dejongduke.nl](mailto:support@dejongduke.nl)



**De Jong DUKE North America**  
12680 Delta Street  
Taylor, MI, 48180  
U.S.A.

 +1 734 403 1708  
 [www.dejongduke.com](http://www.dejongduke.com)  
 [support@dejongduke.com](mailto:support@dejongduke.com)

