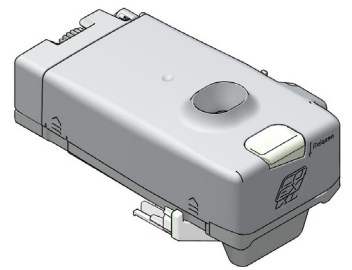


AVY

Spare Parts Manual Coffee Machine

Avy 19000 series

9XEAT with CoEx XL Brewer



0516-A

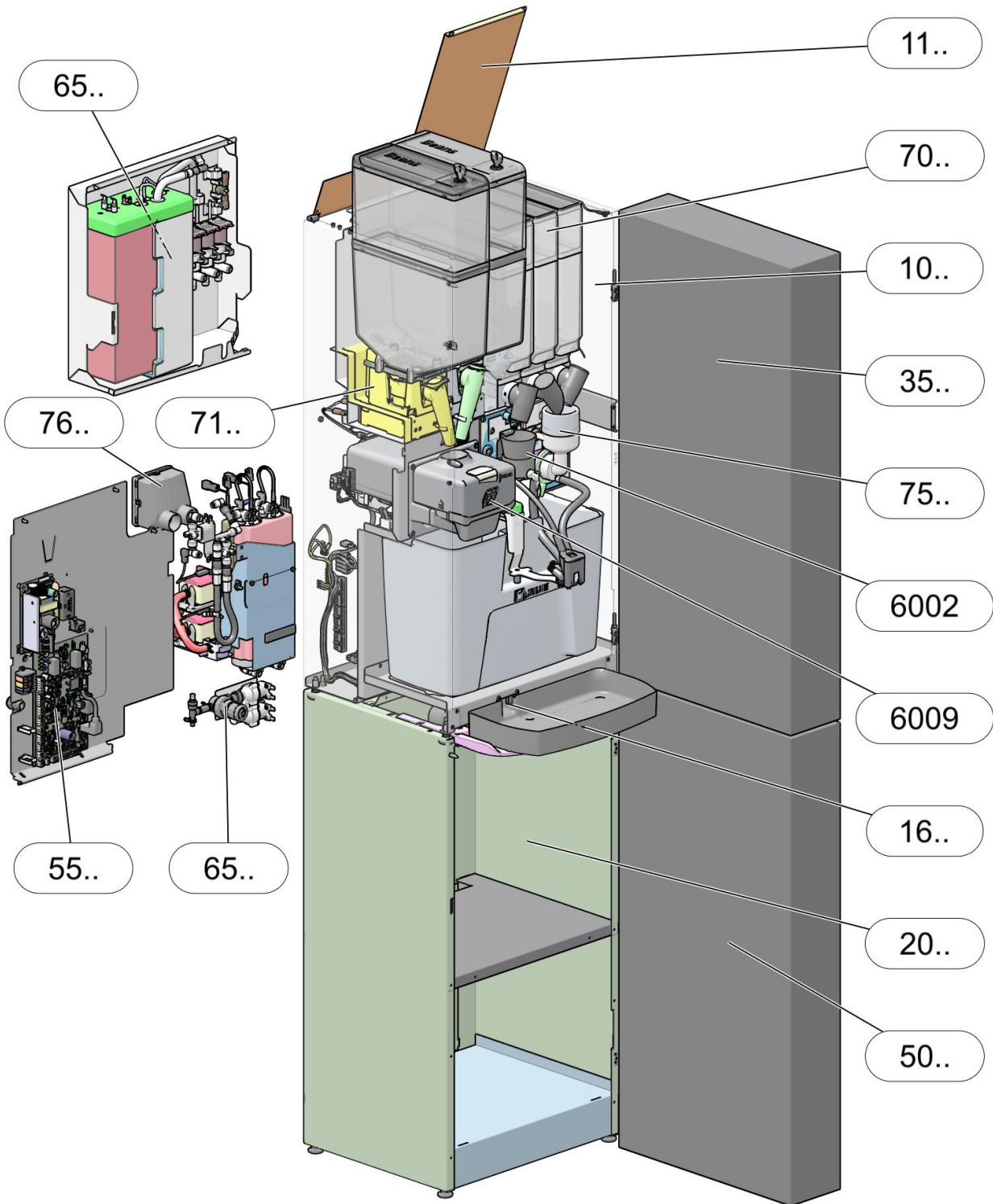
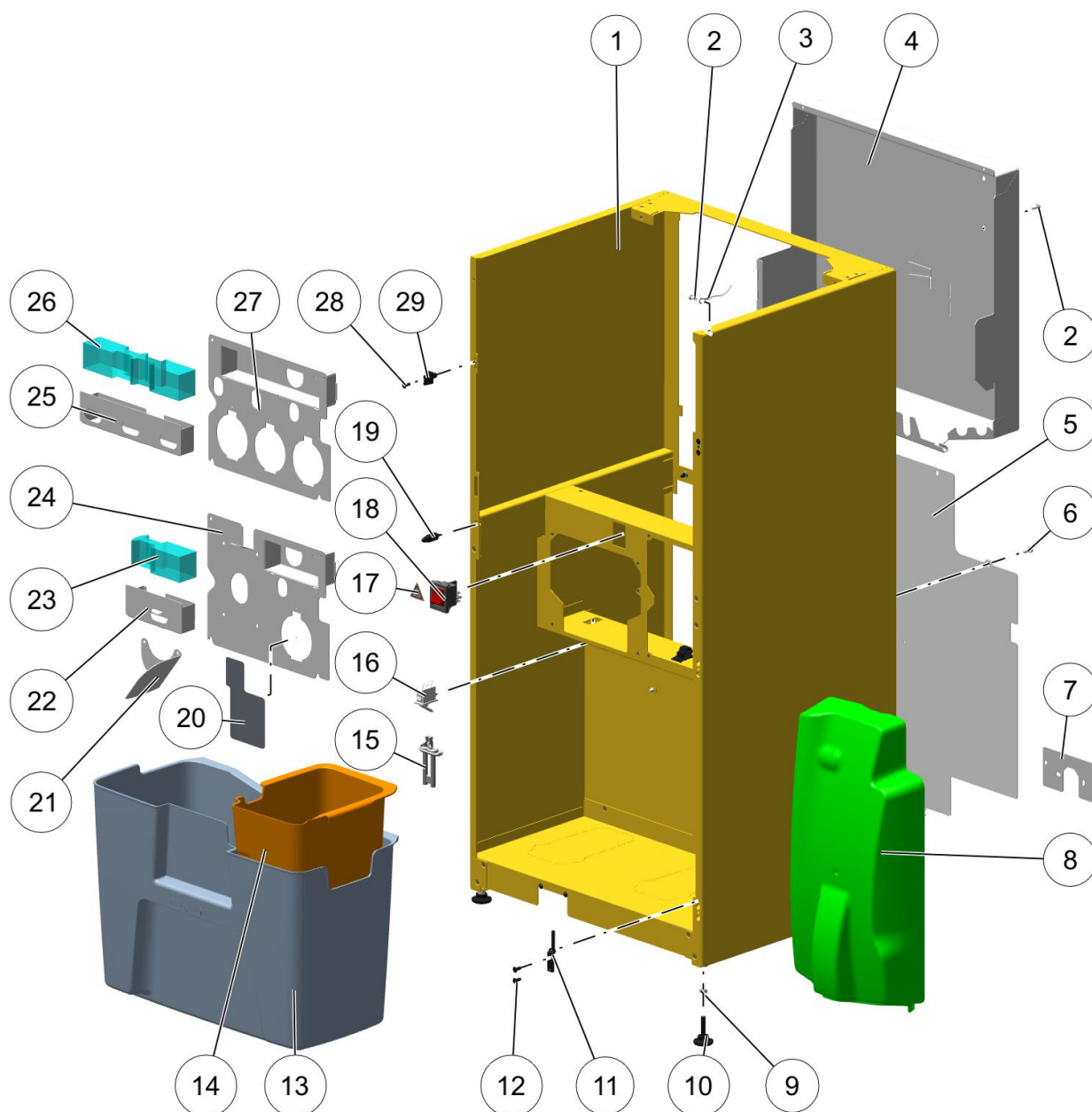




Table of Contents

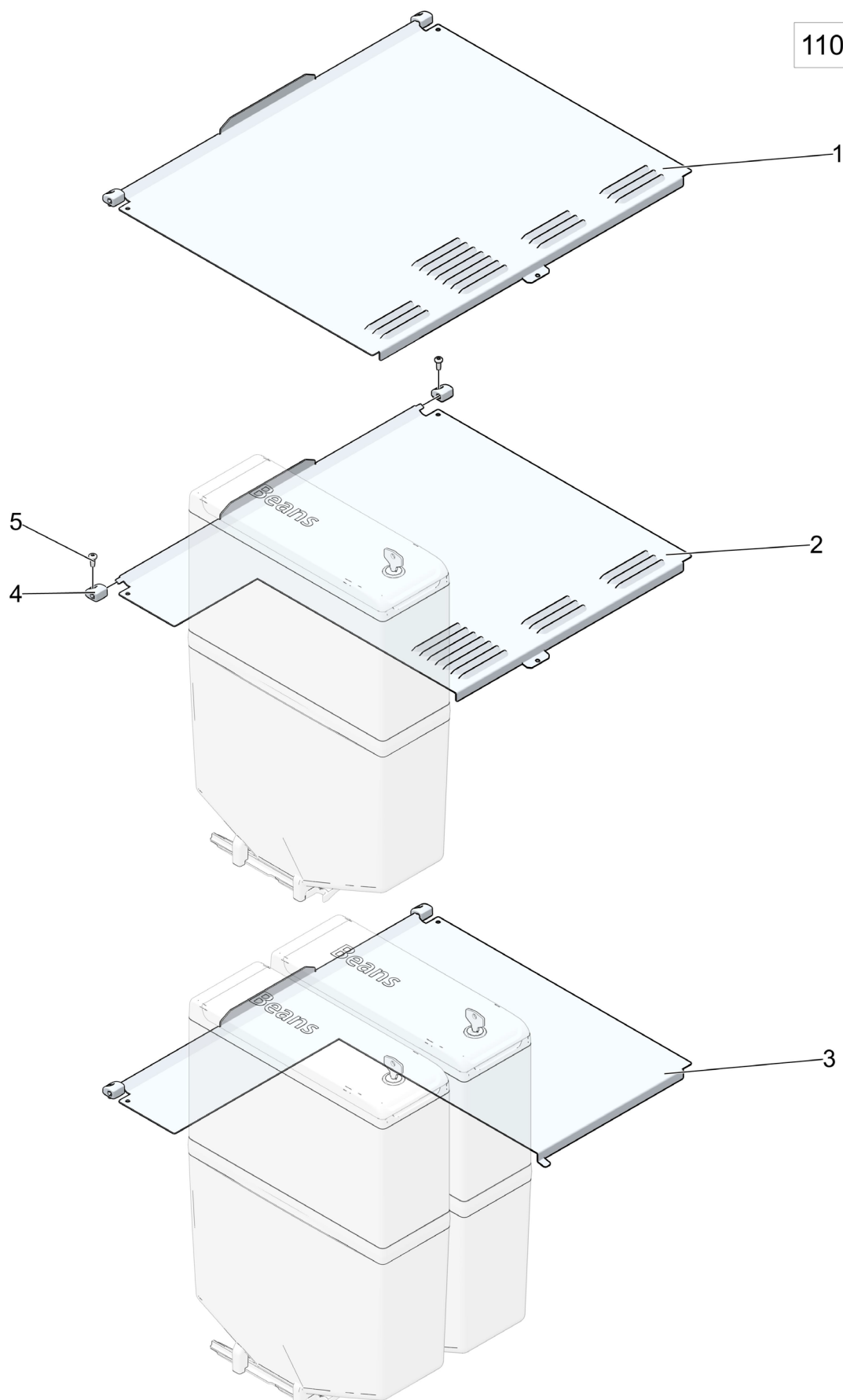
| | |
|---|----|
| 0516 Overview 9XEA - Avy 19000..... | 2 |
| 1022 Cabinet 9XEA..... | 4 |
| 1101 Lid Medium CEC-XEA..... | 6 |
| 1603 Drip tray Sensor..... | 8 |
| 1701 Fixed Waste Water Connection | 10 |
| 3532 Door Avy Medium | 12 |
| 4019 Display Avy..... | 16 |
| 4307 Cup Stand | 18 |
| 4516 Coin Acceptor in Door | 20 |
| 4515 Payment Unit | 22 |
| 5519 MoVeC ICEQ3 Controller Board | 26 |
| 5518 MoVeC ICEQ IOB and PSU (CoExXL)..... | 28 |
| 6002 Tea Brewer | 30 |
| 6006 CoEx XL Brewer Overview..... | 34 |
| 60061 CoEx XL Mounting Frame | 36 |
| 60062 CoEx XL Brewer..... | 38 |
| 6109 CoEx XL outlets..... | 40 |
| 6503 Pressure Boiler PPSU 9XEA | 42 |
| 6507 Open Boiler XEA Overview | 46 |
| 65071 Open Boiler Lid XEA | 48 |
| 65072 Open Boiler Vessel XEA..... | 50 |
| 6608 Valves PPSU 9XEA | 52 |
| 7010 Canister Complete 9XEA..... | 54 |
| 70101 Canister Body..... | 62 |
| 70102 Canister Wheel and Spring | 64 |
| 70103 Canister Base..... | 66 |
| 7015 Bean Canister | 68 |
| 7103 D-Grinder Assembly..... | 70 |
| 7104 D-Grinder..... | 72 |
| 7503 Mixer System..... | 74 |
| 7603 Fan 9XNA-9XEA..... | 76 |
| 2001 Base Cabinet Medium..... | 78 |
| 5007 Base Cabinet Door Medium | 80 |
| 9000 Recommended Tools | 82 |
| Disclaimer | 86 |

1022-A



| Drawing | Pos | S | Part Nr | Qty | Spare Part Description |
|----------------|------------|----------|----------------|------------|--|
| 1022-A | 01 | | 6HKA098 | 1 | Cabinet 9XEA model |
| 1022-A | 02 | | 4BSC022 | 8 | Cutting screw 3.5x9.5 |
| 1022-A | 03 | | KA338 | 1 | Ground wire |
| 1022-A | 04 | | 5MBH489 | 1 | Backplate top for boiler |
| 1022-A | 05 | | 5MBH492 | 1 | Lower backplate |
| 1022-A | 06 | SE | 4BBK032 | 4 | Bolt M4x12 |
| 1022-A | 07 | | 5MVL082 | 1 | Fixing plate inlet valve |
| 1022-A | 08 | | 5KAE006 | 1 | Cover IOB and Power Supply |
| 1022-A | 09 | | 4KAB008 | 4 | Spacer 6.2x10x5 |
| 1022-A | 10 | | KA23 | 4 | Feet |
| 1022-A | 11 | | 5MHS015 | 2 | Hinge |
| 1022-A | 12 | | 4BBK011 | 4 | Bolt M4x10 |
| 1022-A | 13 | | 5KAF150 | 1 | Waste bucket CoExXL brewer 9XEA |
| 1022-A | 14 | | 5KAF137 | 1 | Drip tray under CoExXL brewer |
| 1022-A | 15 | | 5RVA027 | 1 | Sensor - Internal Drip tray full |
| 1022-A | 16 | | 4ESK041 | 1 | Waste bucket detector switch |
| 1022-A | 17 | | 5TAB020 | 1 | Sticker Electrical / Safety |
| 1022-A | 18 | SW | 4ESK020 | 1 | Main switch 16A + red led |
| 1022-A | 19 | | 5MDF032 | 1 | Door pin Torx |
| 1022-A | 20 | | 5KFR041 | 1 | Cover plate mixer mounting |
| 1022-A | 21 | | 5MAF118 | 1 | Tea residu guide |
| 1022-A | 22 | | 5MAF117 | 1 | Suction filter drawer short |
| 1022-A | 23 | | TBD | 1 | Suction filter short |
| 1022-A | 24 | | 5MMX060 | 1 | Mixer mounting bracket 9XEA mixer + tea brewer |
| 1022-A | 25 | | 5MAF119 | 1 | Suction filter drawer long |
| 1022-A | 26 | | TBD | 1 | Suction filter long |
| 1022-A | 27 | | 5MMX062 | 1 | Mixer mounting bracket 9XEA for mixer(s) |
| 1022-A | 28 | | 4BSC052 | 1 | Screw 3,5x10 Tx15 |
| 1022-A | 29 | SW | 5KDS039 | 1 | Door Switch activator |

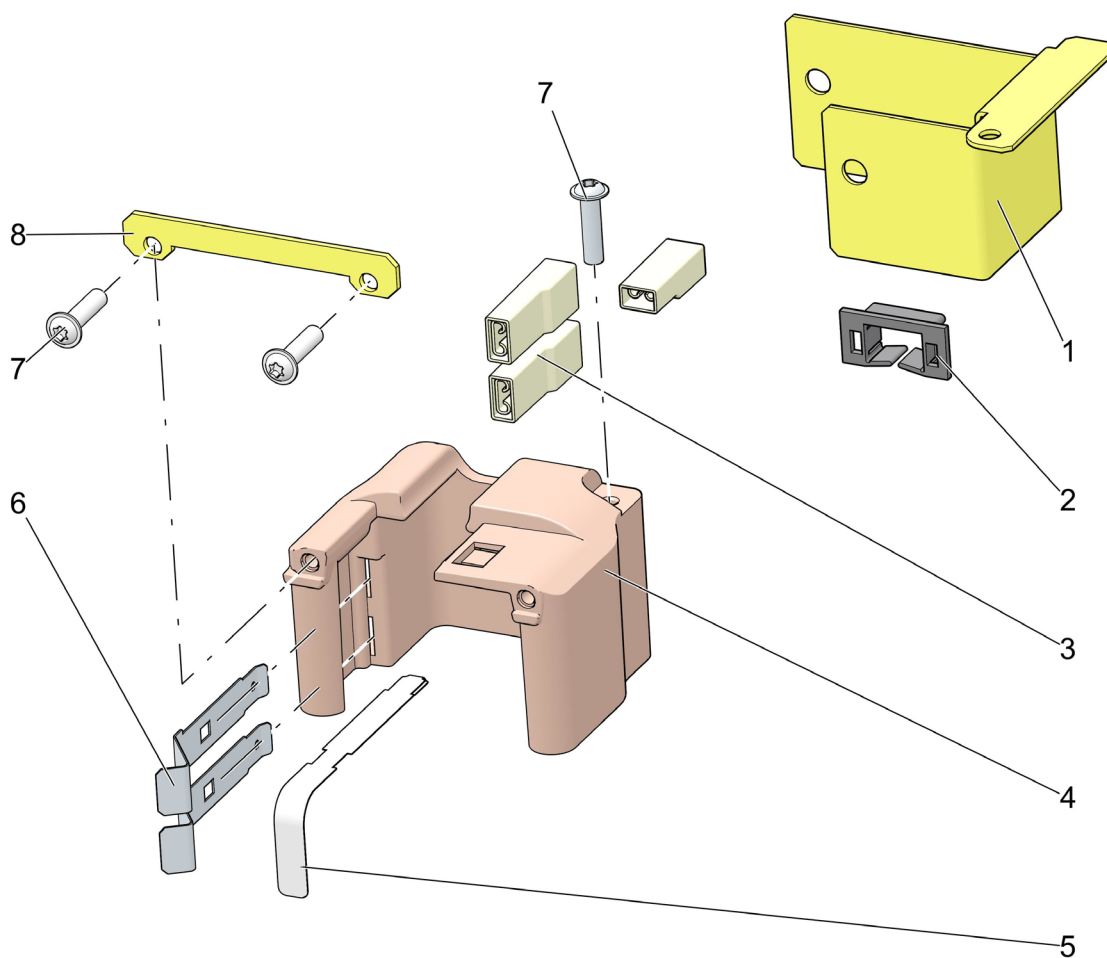
1101-B



| Drawing | Pos | S | Part Nr | Qty | Spare Part Description |
|----------------|------------|----------|-----------------|------------|---|
| 1101-B | 01 | | 5MBH313-RAL9005 | 1 | Lid medium no bean canister |
| 1101-B | 02 | | 5MBH314-RAL9005 | 1 | Lid medium one bean canister <i>for D- or S-grinders</i> |
| 1101-B | 03 | | 5MBH315-RAL9005 | 1 | Lid medium two bean canister <i>for S-grinders</i> |
| 1101-B | 03 | | 5MBH471-RAL9005 | 1 | Lid medium two bean canister <i>for D-grinders</i> |
| 1101-B | 04 | | 5KHS003 | 2 | Hinge top lid |
| 1101-B | 05 | | 4BSC022 | 2 | Cutting screw 3.5x9.5 |

- Part numbers marked with "SE" are Service parts Engineer stock
- Part numbers marked with "SW" are Service parts Warehouse stock
- Part numbers marked with "n/a" are Not Available as spare part
- De Jong Duke recommends to have service parts available on local (SW) or car (SE) stock.

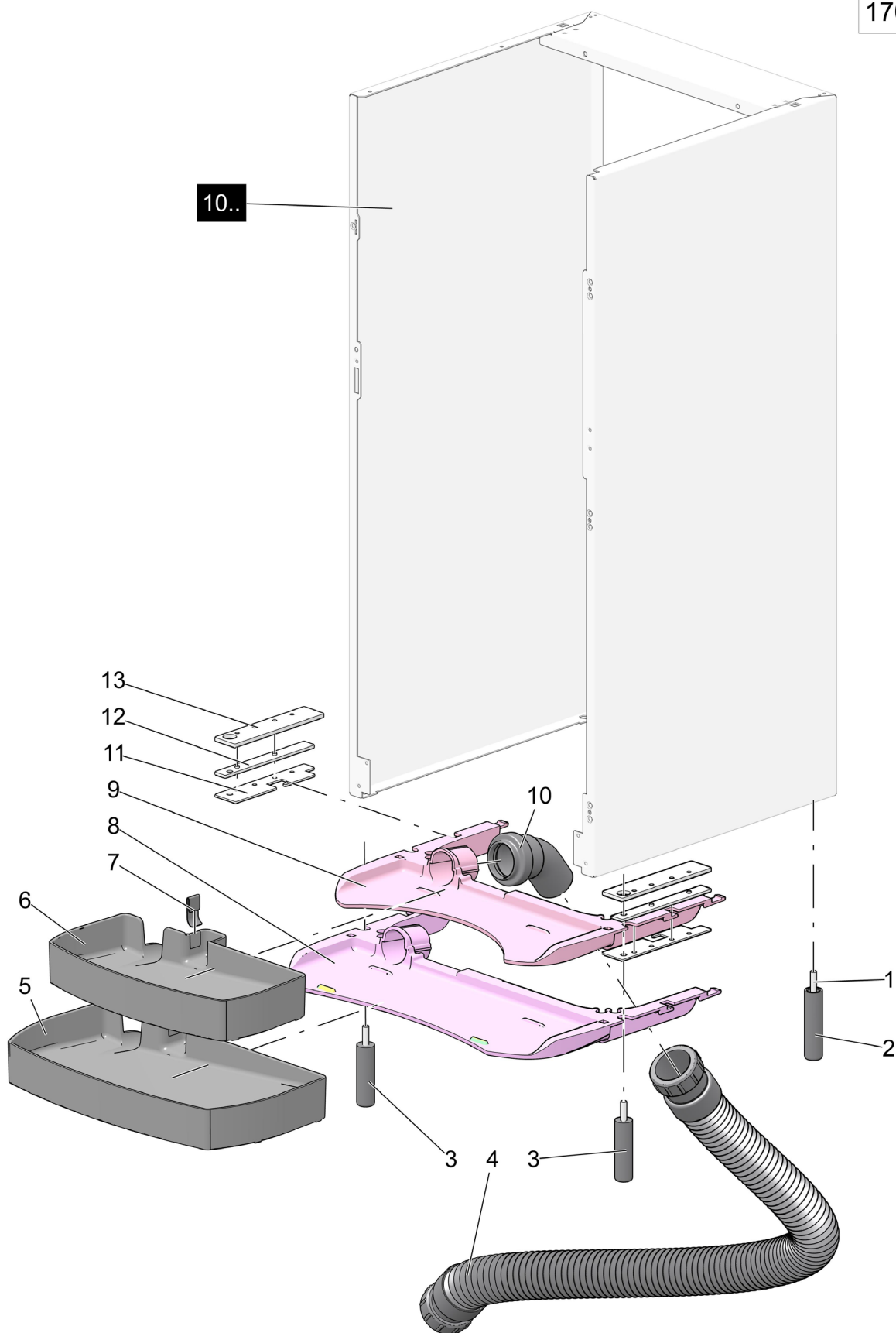
1603-C



| <i>Drawing</i> | <i>Pos</i> | <i>S</i> | <i>Part Nr</i> | <i>Qty</i> | <i>Spare Part Description</i> |
|----------------|------------|----------|--------------------|------------|--|
| | | | | | SETS |
| 1603-C | | SW | 6CSS060 | | Drip tray connector assembly <i>with items 3, 4, 5, 6</i> |
| 1603-C | | SW | 6CSS067 | | Drip tray connector assembly Nio <i>with items 1, 2, 3, 4, 5, 6, 7, 8</i> |
| | | | | | PARTS |
| 1603-C | 01 | | 5MAF101-RAL9005 | 1 | Back bracket - powder coated <i>(Nio only)</i> |
| 1603-C | 02 | | 4BKM053 | 1 | Cable saddle edge mount <i>(Nio only)</i> |
| 1603-C | 03 | | 6CKB456 | 1 | Cable |
| 1603-C | 04 | | 5KAF135 | 1 | Sensor housing <i>NOTE: only use in combination with 5MVR046</i> |
| 1603-C | 05 | | 5MVR046 | 1 | Connector clip <i>NOTE: only use in combination with 5KAF135</i> |
| 1603-C | 06 | | 5MVR030 | 2 | Side spring connector |
| 1603-C | 07 | | 4BSC036 | 2 | Screw torx 3.5x13.5 |
| 1603-C | 08 | | 5MVL214 | 1 | Front bracket <i>(Nio only)</i> |
| | | | | | HISTORY |
| 1603-B | | SW | 6CSS042 | | Drip tray connector assembly <i>Replaced by 6CSS060 from S/N 2017.11.xxxx.001</i> |
| 1603-B | 01 | | 5MAF101 | 1 | Back bracket - untreated <i>Replaced by 5MAF101-RAL9005 from S/N 2020.04.6766.001</i> |
| 1603-B | 04 | | 5KAF114 | 1 | Sensor housing <i>Replaced by 5KAF135 from S/N 2017.11.xxxx.001</i> |
| 1603-B | 05 | | 5MVR033 | 1 | Connector clip <i>Replaced by 5MVR046 from S/N 2017.11.xxxx.001</i> |

- Part numbers marked with "SE" are Service parts Engineer stock
- Part numbers marked with "SW" are Service parts Warehouse stock
- Part numbers marked with "n/a" are Not Available as spare part
- De Jong Duke recommends to have service parts available on local stock or car stock.

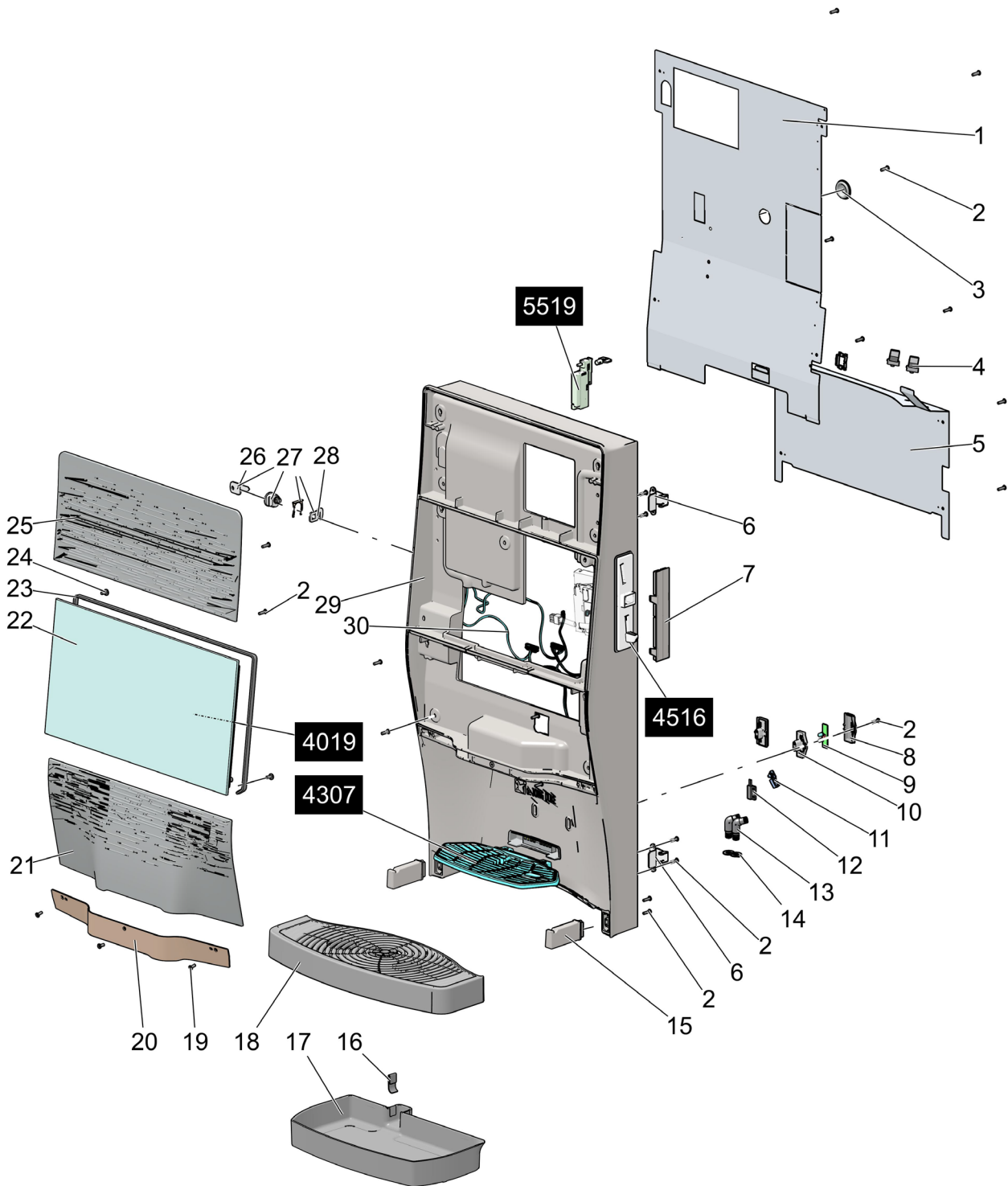
1701-A



| Drawing | Pos | S | Part Nr | Qty | Spare Part Description |
|----------------|------------|----------|----------------|------------|--|
| | | | | | REFERENCES |
| 10.. | | | | | Refer to drawings: Cabinets Small and Medium except Nio cabinets , FEC and IEA cabinets |
| | | | | | SETS |
| 1701-A | | | 9AOV026 | | Fixed Waste Water Connection Set Small with items 1, 2, 3, 4, 6, 9, 10, 11, 12, 13 |
| 1701-A | | | 9AOV027 | | Fixed Waste Water Connection Set Medium with items 1, 2, 3, 4, 5, 8, 10, 11, 12, 13 Only for CoEx and CoEx XL cabinets! |
| | | | | | PARTS |
| 1701-A | 01 | | 4BBY032 | 4 | Threaded rod M6x30 (Stainless Steel) |
| 1701-A | 02 | | 5BAF006 | 2 | Frame feet back (B - 74mm) |
| 1701-A | 03 | | 5BAF005 | 2 | Frame feet front (F - 65mm) |
| 1701-A | 04 | | 4KPF058 | 1 | Drain hose 2x40mm cuff seal length=90cm |
| 1701-A | 05 | SW | 5KAF108 | 1 | Drip tray waste guide for medium cabinet |
| 1701-A | 06 | SW | 5KAF106 | 1 | Drip tray waste guide for small cabinet |
| 1701-A | 07 | SW | 5MVR031 | 1 | Spring clip drip tray |
| 1701-A | 08 | SW | 5KAF109 | 1 | Base plate drip tray for medium cabinet |
| 1701-A | 09 | SW | 5KAF107 | 1 | Base plate drip tray for small cabinet |
| 1701-A | 10 | | 4KPF057 | 1 | Knee 45° cuff seal |
| 1701-A | 11 | | 5MAF109 | 2 | Lower bracket |
| 1701-A | 12 | | 5MAF110 | 2 | Middle bracket |
| 1701-A | 13 | | 5MAF111 | 2 | Upper bracket |
| | | | | | HISTORY |

- Part numbers marked with "SE" are Service parts Engineer stock
- Part numbers marked with "SW" are Service parts Warehouse stock
- Part numbers marked with "n/a" are Not Available as spare part
- De Jong Duke recommends to have service parts available on local stock or car stock.

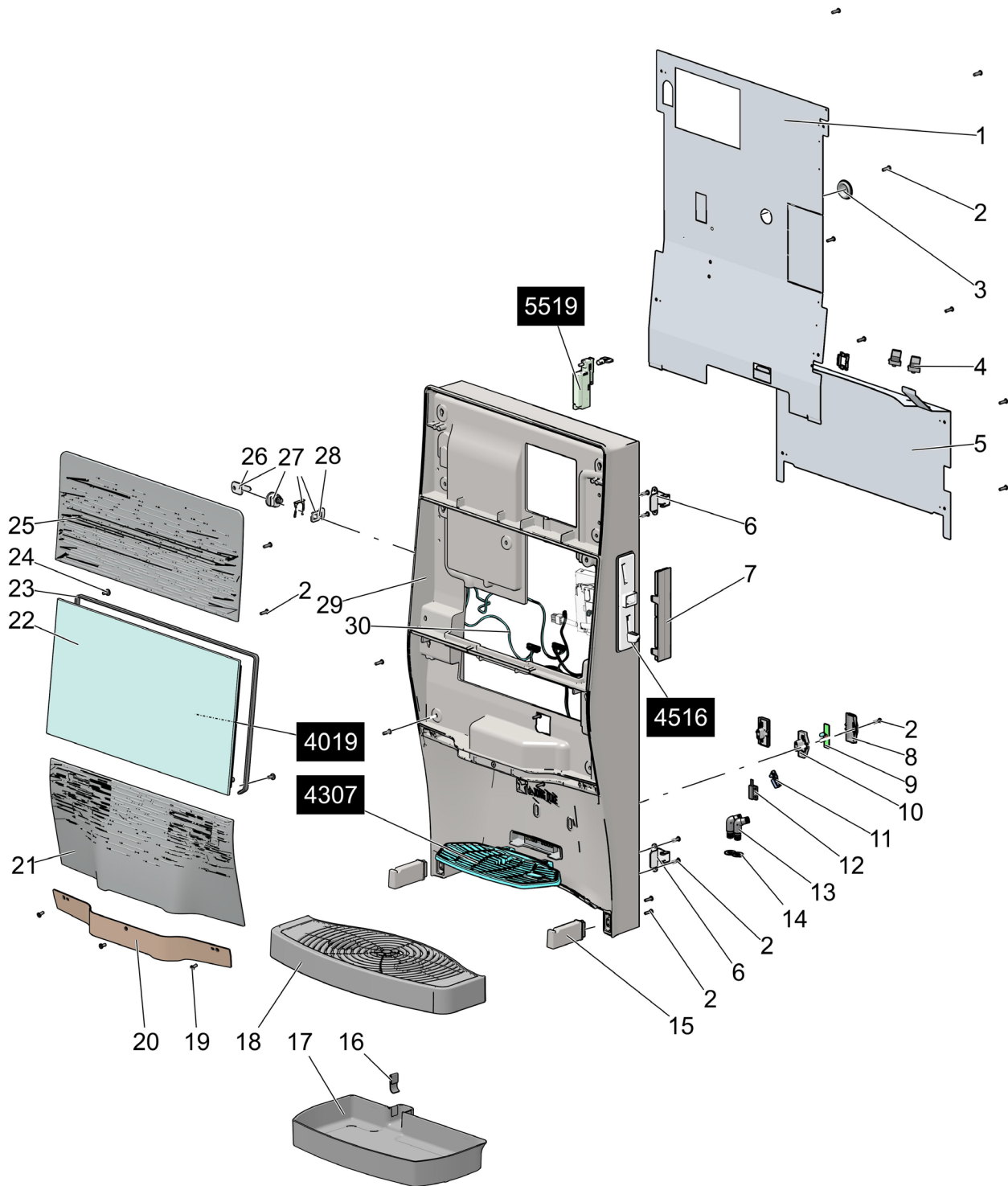
3532-A



| <i>Drawing</i> | <i>Pos</i> | <i>Part Nr</i> | <i>Qty</i> | <i>Spare Part Description</i> |
|----------------|------------|----------------|---------------------|--|
| | | | | REFERENCES |
| 4019 | | | | Refers to drawing 4019 - Display Avy |
| 5519 | | | | Refers to drawing 5519 - MoveC ICEQ3 Controller Board |
| 4307 | | | | Refers to drawing 4307 - Cup stand |
| 4516 | | | | Refers to drawing 4516 - Coin acceptor |
| | | | | SETS |
| | | SW | 6AOV031 | 1 Drip tray <i>with item 16 and 17</i> |
| | | SE | 6CSS052 | 1 Cup sensor complete <i>with items 8, 9 and 10</i> |
| | | | | PARTS |
| 3532-A | 01 | | 5MDR541 | 1 Inside cover plate top |
| 3532-A | 02 | | 4BSC036 | 34 Screw torx 3.5x13.5 |
| 3532-A | 03 | | 4KDS003 | 1 Cap round 25mm |
| 3532-A | 04 | | 4BKM016 | 1 Cable Clamp d=13 |
| 3532-A | 05 | | 5MDR540 -RAL9005 | 1 Inside cover plate bottom |
| 3532-A | 06 | | 5MHS012 | 2 Door hinge |
| 3532-A | 07 | | 5KDR041 | 1 Cover plate coin acceptor cut-out |
| 3532-A | 08 | | 5KBK068 | 2 Cup sensor housing back |
| 3532-A | 09 | | 5EPR133 | 2 Cup sensor PCB |
| 3532-A | 10 | | 5KBK067 | 2 Cup sensor housing front |
| 3532-A | 11 | | 5BKM001 | 2 Cable clip h=11 |
| 3532-A | 12 | | 6CKB461 | 1 Cup stand detector switch |
| 3532-A | 13 | SE | 5KVL022 | 1 Outlet knee 107° d=10 |
| | 14 | | 4BBG030 | 1 Locking clip |
| 3532-A | 15 | | 5KAF104 | 2 Drip tray guide |
| 3532-A | 16 | SW | 5MVR031 | 1 Spring clip - drip tray sensor |
| 3532-A | 17 | | 5KAF102 | 1 Drip tray |
| 3532-A | 18 | SW | 5KAF103 | 1 Drip tray cover |
| 3532-A | 19 | | 4BSC052 | 3 Screw 3,5x10 Tx15 |
| 3532-A | 20 | | 5MDR539 | 1 Dispense head cover |
| 3532-A | 21 | | 5KDR111 -99W5 | 1 Cover front bottom |
| 3532-A | 22 | | 6CDP018 | 1 Display |

- Part numbers marked with "SE" are Service parts Engineer stock
- Part numbers marked with "SW" are Service parts Warehouse stock
- Part numbers marked with "n/a" are Not Available as spare part
- De Jong Duke recommends to have service parts available locally (SW) or as car stock (SE).

3532-A



| Drawing | Pos | Part Nr | Qty | Spare Part Description |
|----------------|------------|---------------------|------------|----------------------------------|
| 3532-A | 23 | 5RVA031 | 1 | Display seal |
| 3532-A | 24 | 4bbk052 | 1 | Button head screw M4x10 |
| 3532-A | 25 | 5KDR110 -99W5 | 1 | Cover front top |
| 3532-A | 26 | 4MHS051 | 1 | Key K411 only (for lock 4MHS049) |
| 3532-A | 27 | 4MHS049 | 1 | Lock with clip and key (K411) |
| 3532-A | 28 | 5MHS058 | 1 | Lock hook |
| 3532-A | 29 | 5KDR109 -RAL9005 | 1 | Door frame |
| 3532-A | 30 | 6CKB555 | 1 | Wire harness sensors |

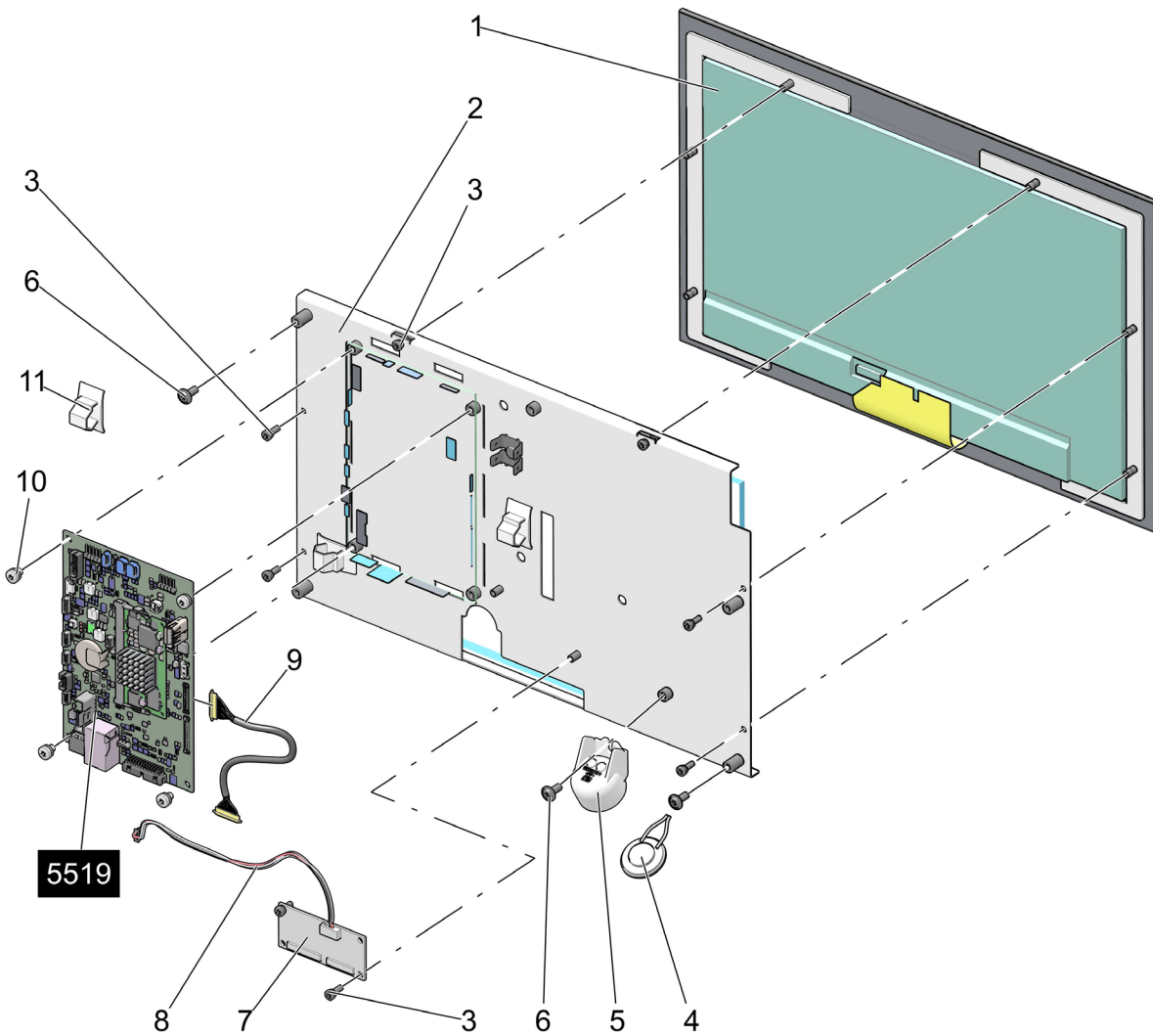
- *Part numbers marked with "SE" are Service parts Engineer stock*
- *Part numbers marked with "SW" are Service parts Warehouse stock*
- *Part numbers marked with "n/a" are Not Available as spare part*
- *De Jong Duke recommends to have service parts available locally (SW) or as car stock (SE).*



IMPORTANT

To prevent Electrostatic discharge (ESD), always use an ESD wrist strap. Make sure to connect it to the door ground cable of the coffee machine before handling the boards.

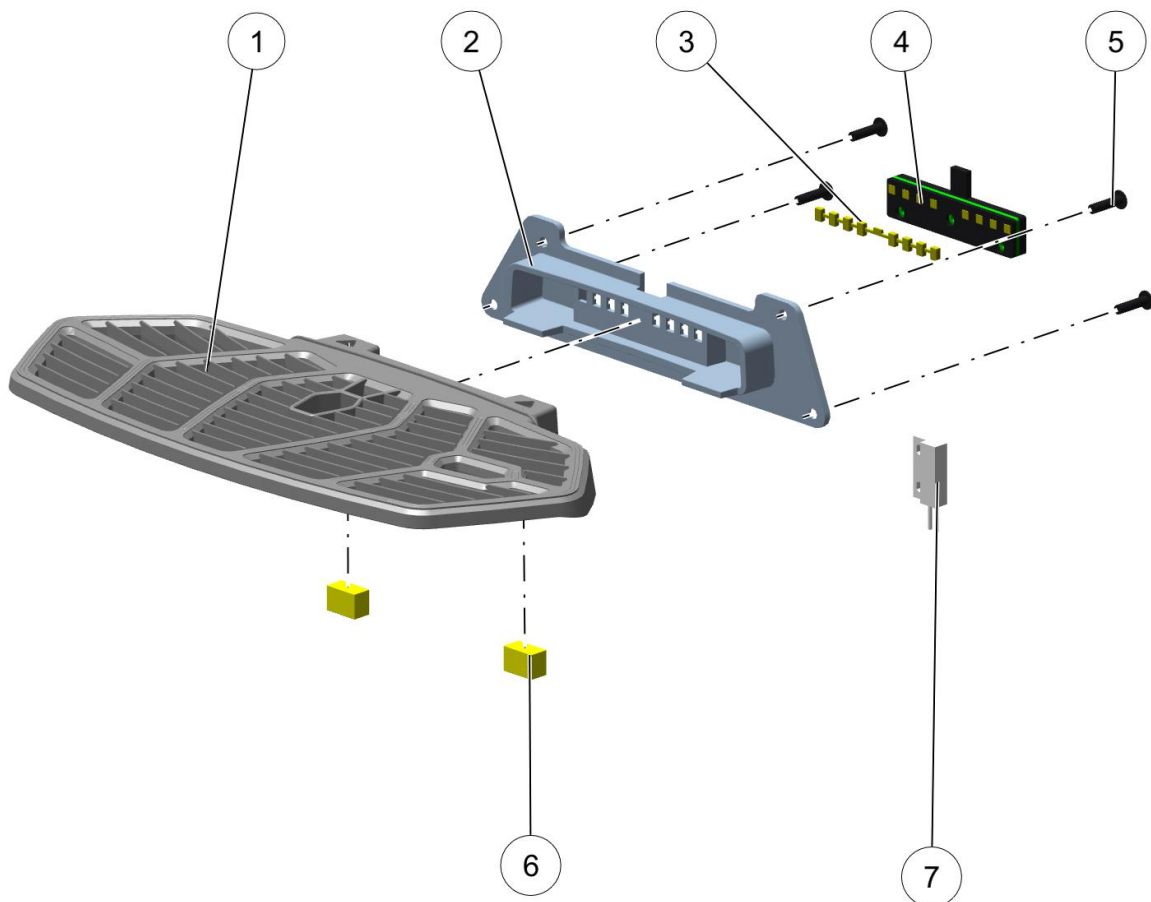
4019-A



| <i>Drawing</i> | <i>Pos</i> | <i>S</i> | <i>Part Nr</i> | <i>Qty</i> | <i>Spare Part Description</i> |
|----------------|------------|----------|----------------|------------|---|
| | | | | | REFERENCES |
| 5519 | | | | | Refer to drawing 5519: MoVec ICEQ3 Controller Board |
| | | | | | PARTS |
| 4019-A | 01 | | 6CDP017 | 1 | 14" TFT LCD Touch Display (1920x1080) assembly with interface <i>with items 2, 3, 7, 8, 11</i> |
| 4019-A | 02 | | 5MDR529 | 1 | Mounting plate Avy |
| 4019-A | 03 | | 4BBK040 | 8 | Bolt+spring washer M3x10 |
| 4019-A | 04 | | 4ELP002 | 1 | Speaker |
| 4019-A | 05 | | 5KDR094 | 1 | Speaker housing |
| 4019-A | 06 | | 4BBK052 | 4 | Button head screw M4x10 |
| 4019-A | 07 | | 4EPR032 | 1 | Capacitive control board |
| 4019-A | 08 | | 6CKB557 | 1 | Touch panel cable |
| 4019-A | 09 | | 6CKB556 | 1 | Control board cable |
| 4019-A | 10 | | 4BBK039 | 4 | Bolt with lock washer M4x6 (Torx) |
| 4019-A | 11 | | 4BKM010 | 4 | Cable clamp d=10 grey |

- Part numbers marked with "SE" are Service parts Engineer stock
- Part numbers marked with "SW" are Service parts Warehouse stock
- Part numbers marked with "n/a" are Not Available as spare part
- De Jong Duke recommends to have service parts directly available on local or car stock.

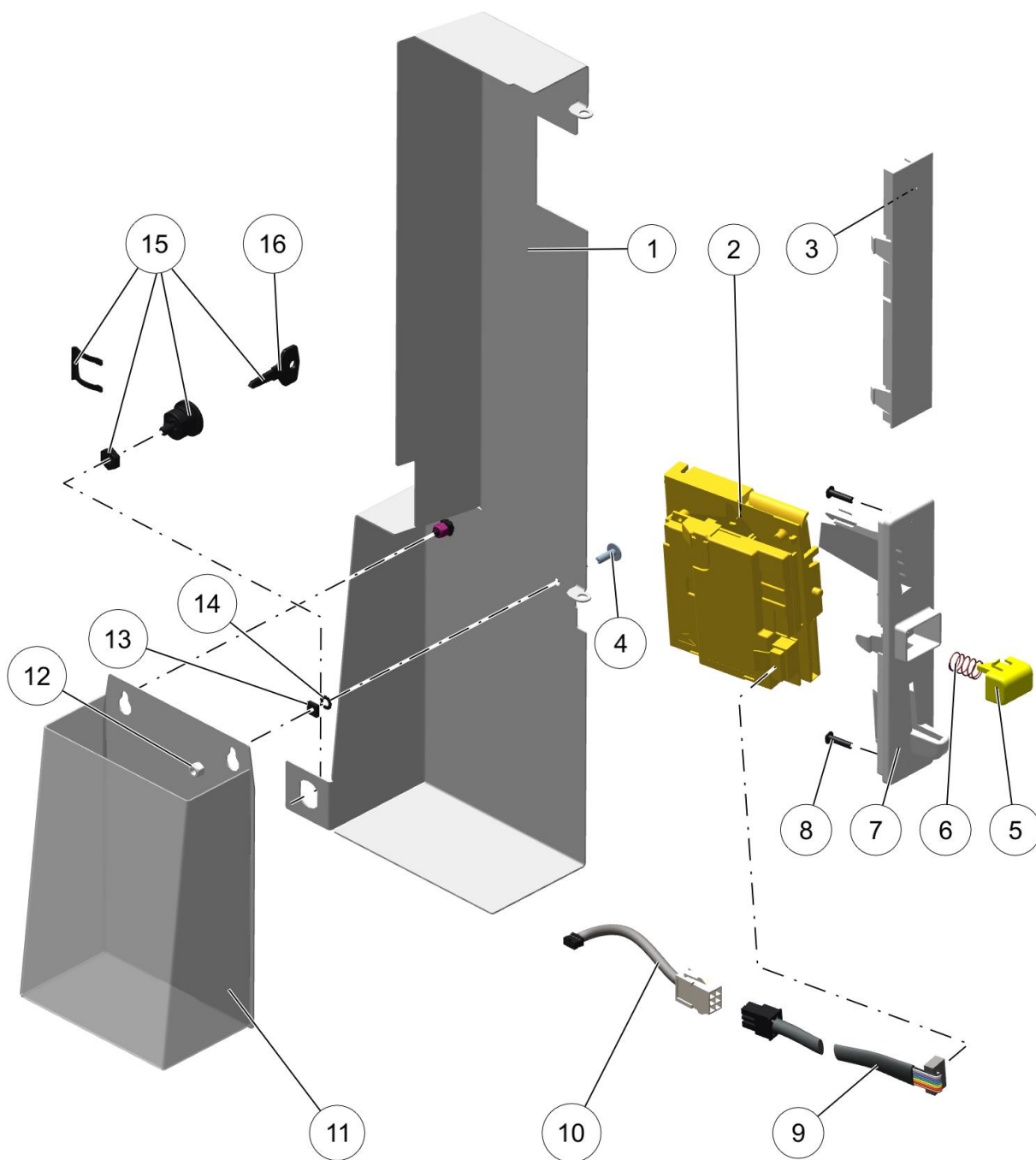
4307-A



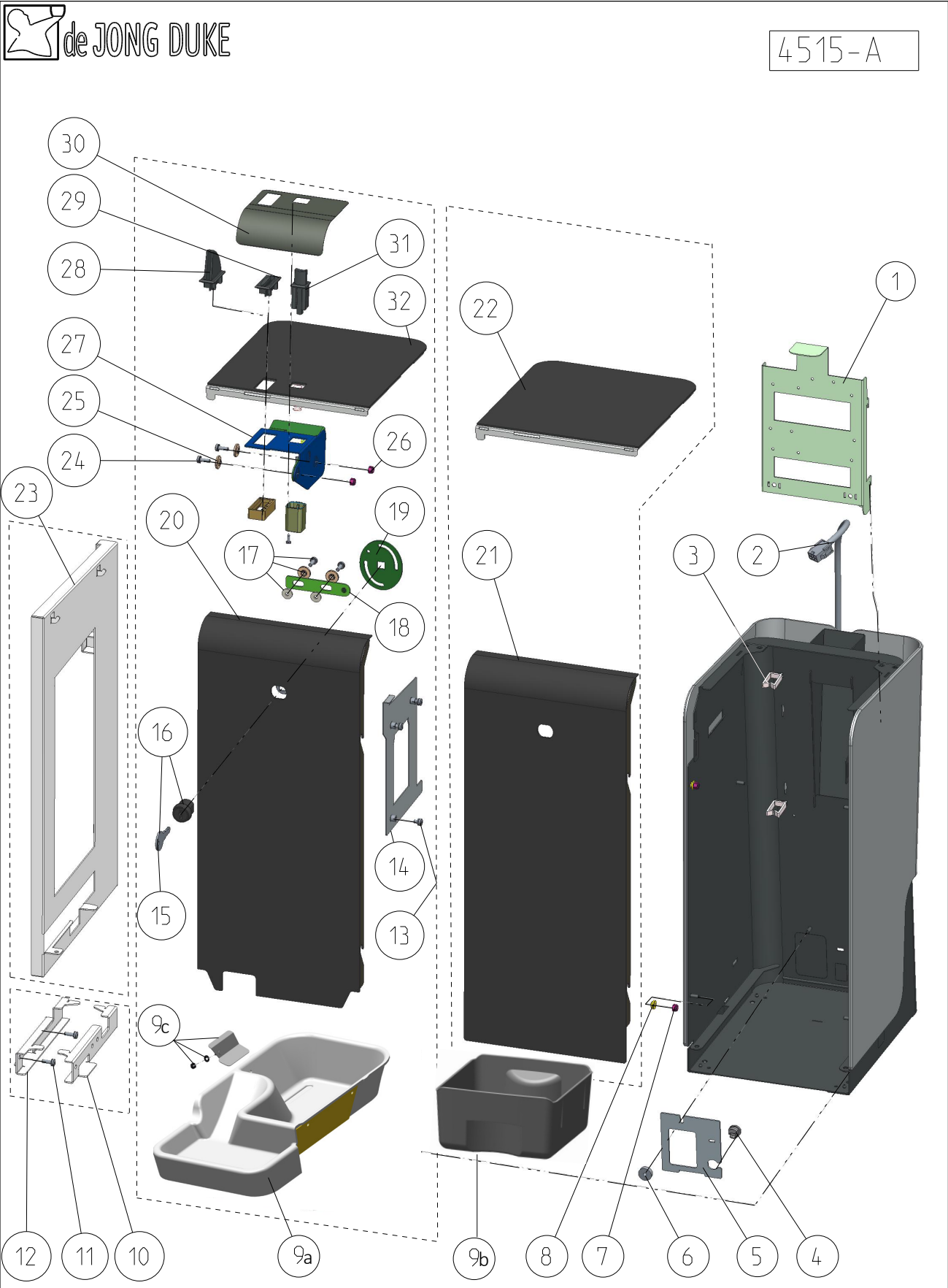
| Drawing | Pos | S | Part Nr | Qty | Spare Part Description |
|----------------|------------|----------|----------------|------------|--|
| 4307-A | | SW | 9BMB018 | 1 | Cup stand assembly <i>with items 1 and 6</i> |
| 4307-A | 01 | | 5KBK066 | 1 | Cup stand |
| 4307-A | 02 | | 5KBK064 | 1 | Cup stand holder <i>Revision update H to J on 2024apr11</i> |
| 4307-A | 03 | | 5KBK065 | 1 | Lens light guide |
| 4307-A | 04 | | 5EPR158 | 1 | PCB cup stand LED light |
| 4307-A | 05 | | 4BSC036 | 4 | Screw torx 3,5x13,5 |
| 4307-A | 06 | | 5MMG001 | 2 | Magnet 14x9 |
| 4307-A | 07 | | 6CKB461 | 1 | Reed switch - Cup stand detector |

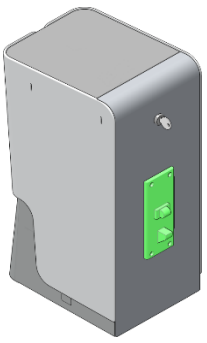
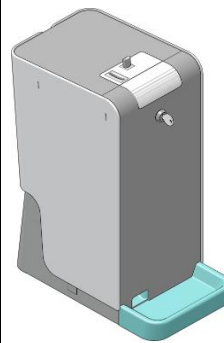
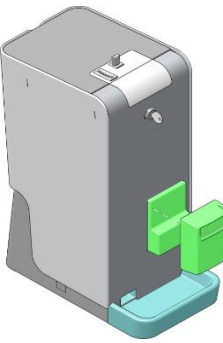
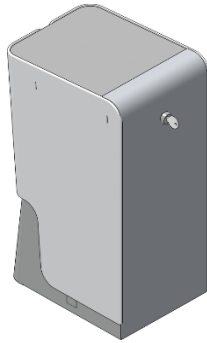
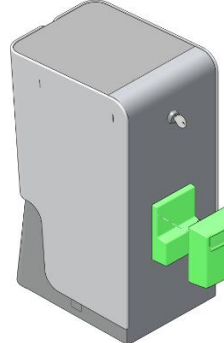
- Part numbers marked with "SE" are Service parts Engineer stock
- Part numbers marked with "SW" are Service parts Warehouse stock
- Part numbers marked with "n/a" are Not Available as spare part
- De Jong Duke recommends to have service parts available on local (SW) or car (SE) stock.

4516-A



| Drawing | Pos | S | Part Nr | Qty | Spare Part Description |
|----------------|------------|----------|---------------------|------------|---|
| 4516-A | | | 4EMU020 | 1 | Coin acceptor G13 (MDB, euro) |
| 4516-A | | | 9MDG060 | 1 | Coin acceptor Set <i>With items 1, 4 -15</i> |
| PARTS | | | | | |
| 4516-A | 01 | | 5MDR524 -RAL9005 | 1 | Cover payment system |
| 4516-A | 02 | | 4EMU020 | 1 | Coin acceptor G13 (MDB, euro) |
| 4516-A | 03 | | 5KDR041 | 1 | Cover plate (if no coin acceptor installed) |
| 4516-A | 04 | | 4BBC043 | 2 | Bolt M4 x 12 |
| 4516-A | 05 | | 5KMS016 | 1 | Return button NRI small |
| | 06 | | 5MVR024 | 1 | Return button spring NRI small |
| 4516-A | 07 | | 5KMS015 | 1 | Front of acceptor NRI small |
| 4516-A | 08 | | 4BSC036 | 2 | Torx screw 3.5x13.5 |
| 4516-A | 09 | | 6CKB513 | 1 | MDB cable 0.5m |
| 4516-A | 10 | | 6CKB508 | 1 | MDB Adapter cable 0.1 m (ICEQ2 only) |
| 4516-A | 10 | | 6CKB509 | 1 | MDB Adapter cable 1.6 m (ICEQ2 only) |
| 4516-A | 11 | | 5MDR525 -RAL9005 | 1 | Coin box |
| 4516-A | 12 | | 4BMZ011 | 2 | Lock nut M4 |
| 4516-A | 13 | | 4BMV005 | 2 | Square nut M4 |
| 4516-A | 14 | | 4BVR001 | 2 | Star Washer M4 |
| 4516-A | 15 | | 4MHS035 | 1 | Lock for coin box cover |
| 4516-A | 16 | | 4MHS045 | 1 | Key for lock 4MHS035 |



| | | | | |
|---|---|---|--|---|
|  |  |  |  |  |
| Prepared for Coin Acceptor (9MDG013) | Prepared for Change giver (4EMU009) | Prepared for Change giver + Card reader / Bill acceptor | Blank | Prepared for Card reader / Bill acceptor |

Part number for complete housing for Small(T0) and Medium(T1) models:
with connection bracket item 23 but without the payment option itself (highlighted in green)

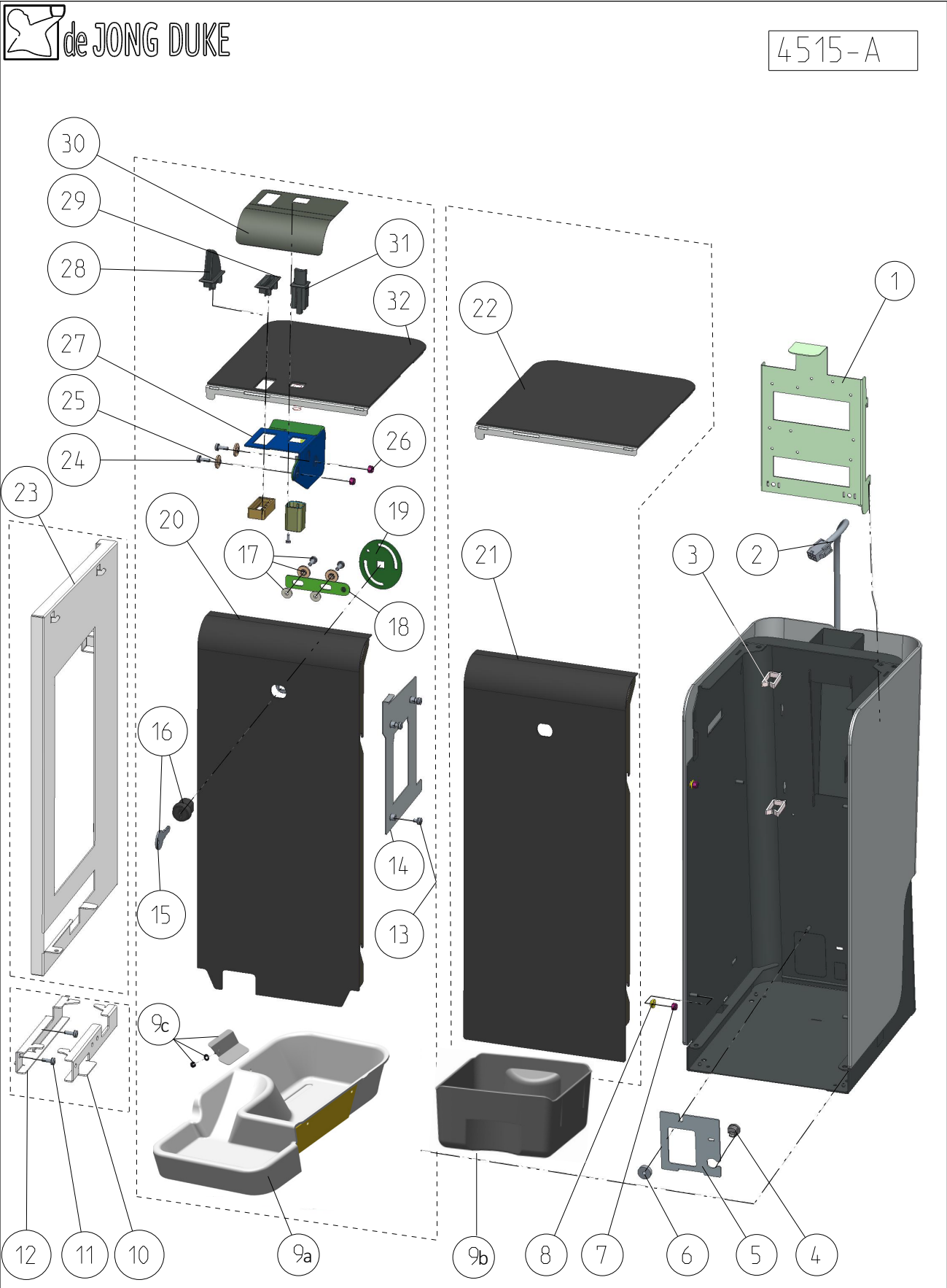
9MKA014
9MKA008
9MKA010
9MKA012
9MKA016

Part number for replacement Front panel pre-assembled:

complete with items 16, 17, 18, 19 and 20 or 21 but without the payment option itself (highlighted in green)

9MDG049
9MDG050
9MDG051
9MDG052
9MDG053

| Drawing | Pos | S | Part Nr | Qty | Spare Part Description |
|---------|-----|----|---------|-----|--|
| | | | 9MDG013 | | Coin acceptor EURO G13 including front plate wide (See drawing 4509 for more details) |
| | | | 4EMU009 | | Change giver G46 EURO |
| 4515-A | 01 | | 5MMS203 | 1 | Mounting bracket |
| 4515-A | 02 | | 6CKB509 | 1 | MDB Adapter cable 1.6 m (ICEQ2 only) |
| 4515-A | 03 | | 4BKM031 | 2 | Cable clamp with plug |
| 4515-A | 04 | | 4KDT009 | 1 | Cable relief |
| 4515-A | 05 | | 5MMS214 | 1 | Back plate connections |
| 4515-A | 06 | | 4BMV007 | 1 | Thumb nut M4 |
| 4515-A | 07 | | 4BMZ011 | 4 | Locking nut M4 |
| 4515-A | 08 | | 5MLG001 | 4 | Bearing Ø6,9 x Ø10 x 2 |
| 4515-A | 9a | | 6MOV048 | 1 | Money tray for change giver (G46) contains money tray (5KMS017) tray support (5MMS200) and item 9C |
| 4515-A | 9b | SW | 5KAF090 | 1 | Money tray for coin acceptor (G13) |
| 4515-A | 9c | | 9MDG058 | 1 | Money tray (Change giver) upgrade kit with coin deflection lip (5TMP099), washer M4 (4BPR003) and nut (4BMZ003) |



| Drawing | Pos | S | Part Nr | Qty | Spare Part Description |
|----------------|------------|----------|---------------------|------------|--|
| 4515-A | 10 | | 5MMS197 -RAL9005 | 1 | Connection piece Nio (Left) |
| 4515-A | 11 | SE | 4BBK032 | 4 | Bolt M4x12 with ring |
| 4515-A | 12 | | 5MMS196 -RAL9005 | 1 | Connection piece Nio (Right) |
| 4515-A | 13 | | 4BBK039 | 3 | Bolt M4x6 with lock washer (Torx) |
| 4515-A | 14 | | 5MMS204 | 1 | Bracket for changegiver |
| 4515-A | 15 | | 4MHS047 | 1 | Key for lock 4MHS044 |
| 4515-A | 16 | | 4MHS044 | 1 | Lock with keys |
| 4515-A | 17 | | 9HDR090 | 4 | Sliding lock fasteners set |
| 4515-A | 18 | | 5MHS057 | 2 | Sliding lock plate |
| 4515-A | 19 | | 5MHS056 | 1 | Lock cam |
| 4515-A | 20 | | 9MDG050 | 1 | Front cover prepared for Changegiver <i>with items 16, 17, 18, 19</i> |
| 4515-A | 20 | | 9MDG051 | 1 | Front cover prepared for Change giver and bill acceptor <i>with items 16, 17, 18, 19</i> |
| 4515-A | 21 | | 9MDG049 | 1 | Front cover prepared for Coin acceptor <i>with items 16, 17, 18, 19</i> |
| 4515-A | 21 | | 9MDG052 | 1 | Front cover - Blank / not prepared <i>with items 16, 17, 18, 19</i> |
| 4515-A | 21 | | 9MDG053 | 1 | Front cover prepared for Card reader / Bill accep- tor <i>with items 16, 17, 18, 19</i> |
| 4515-A | 22 | | 6MKA010 | 1 | Lid |
| 4515-A | 23 | | 5MMS205- RAL9005 | 1 | Connection bracket |
| 4515-A | 24 | SE | 4BBK032 | 2 | Bolt M4x12 with ring |
| 4515-A | 25 | | 5MLG002 | 2 | Bearing Ø6,9 x Ø15 x 1,7 |
| 4515-A | 26 | | 4BMZ011 | 2 | Locking nut M4 |
| 4515-A | 27 | | n/a | 1 | Return mechanism assembly |
| 4515-A | 28 | | 5KMS018 | 1 | Alternative upright coin slot |
| 4515-A | 29 | | n/a | 1 | Coin slot |
| 4515-A | 30 | | 5TAB101 | 1 | Sticker for unit with change giver |
| 4515-A | 31 | | 6MDG038 | 1 | Return button assembly |
| 4515-A | 32 | | n/a | 1 | Lid for unit with change giver |

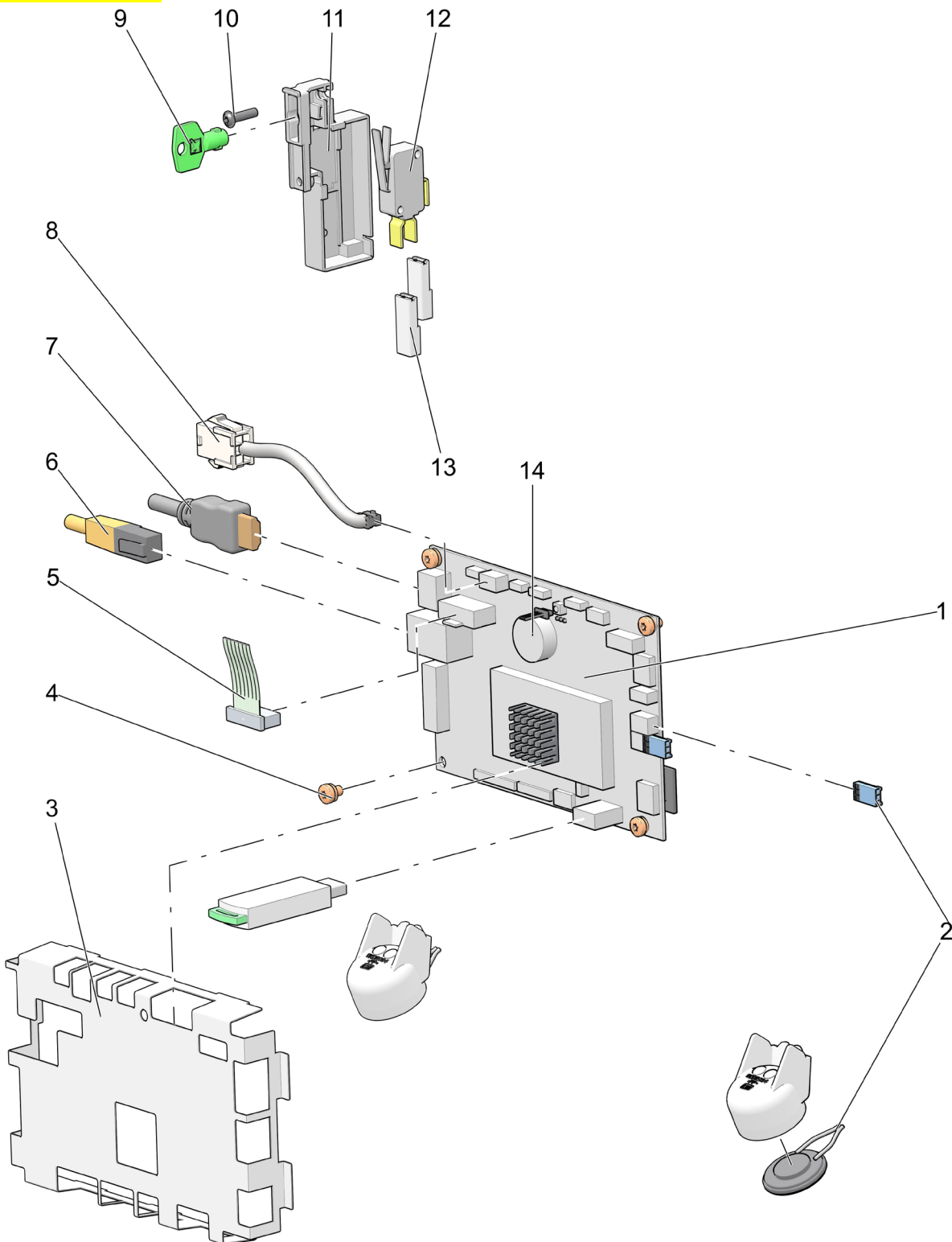
- Part numbers marked with "SE" are Service parts Engineer stock
- Part numbers marked with "SW" are Service parts Warehouse stock
- Part numbers marked with "n/a" are Not Available as spare part
- De Jong Duke recommends to have service parts directly available on local or car stock.

5519-B



IMPORTANT

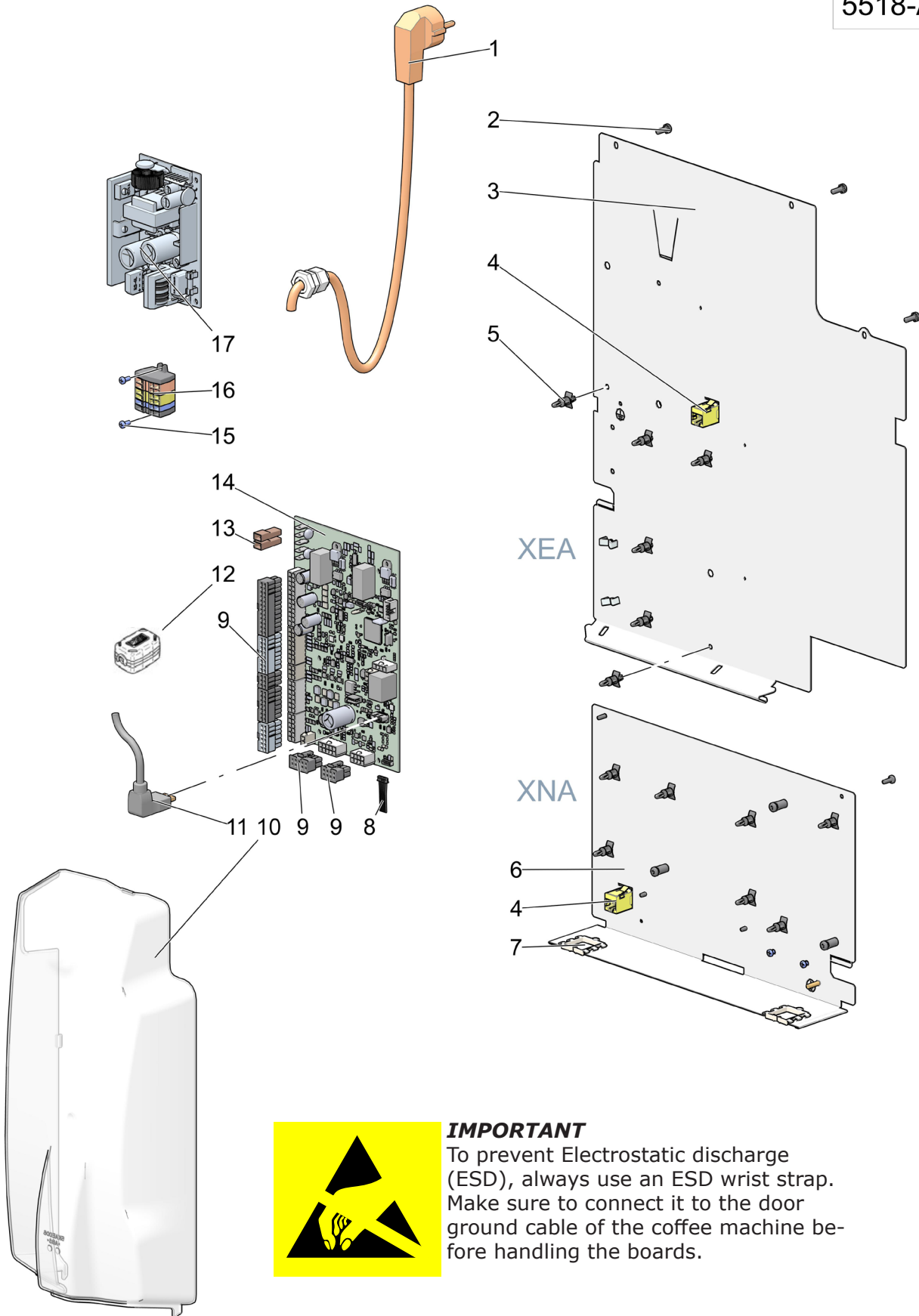
To prevent Electrostatic discharge (ESD), always use an ESD wrist strap. Make sure to connect it to the door ground cable of the coffee machine before handling the boards.



| <i>Drawing</i> | <i>Pos</i> | <i>S</i> | <i>Part Nr</i> | <i>Qty</i> | <i>Spare Part Description</i> |
|----------------|------------|----------|----------------|------------|--|
| | | | | | Parts |
| 5519-B | 01 | SW | 9EPR026 | 1 | MoVeC ICEQ3 controller board Avy |
| 5519-B | 01 | SW | 9EPR024 | 1 | MoVeC ICEQ3 controller board Lua |
| 5519-B | 01 | SW | 9EPR028 | 1 | MoVeC ICEQ3 controller board ROSA |
| 5519-B | 02 | | 4ELP002 | 2 | Speaker |
| 5519-B | 03 | | n/a | | MoVeC ICEQ3 board cover |
| 5519-B | 04 | | 4BBK039 | 4 | Bolt with lock washer M4x6 |
| 5519-B | 05 | SE | 6CKB426 | 1 | Flat cable IOB-MoVeC ICEQ |
| 5519-B | 06 | | 6CKB516 | 1 | Network (patch) cable 2xRJ45 1m |
| 5519-B | 07 | SW | 6CKB497 | 1 | HDMI cable IOB-MoVeC ICEQ |
| 5519-B | 08 | | 6CKB508 | 1 | MDB adapter cable ICEQ2 0,1m |
| 5519-B | 09 | SE | 5KDS036 | 1 | Service key |
| 5519-B | 10 | | 4BSC036 | 1 | Screw torx 3.5x13.5 |
| 5519-B | 11 | | 5KDS038 | 1 | Door micro switch ICEQ mounting |
| 5519-B | 12 | SW | 4ESK048 | 1 | Door micro switch ICEQ |
| 5519-B | 13 | | 6CKB555 | 1 | Wire harness for sensors Avy / ROSA |
| 5519-B | 13 | | 6CKB539 | 1 | Wire harness for sensors Lua |
| 5519-B | 14 | | 4ETR011 | 1 | Battery for PCB assembly 3V <i>Scan the QR code below and watch a replacement instruction video</i> |
| | | | | | <p><i>or click here (or copy this address in your browser) : http://youtu.be/LpgV-dTR3M</i></p>  |

- Part numbers marked with "SE" are Service parts Engineer stock
- Part numbers marked with "SW" are Service parts Warehouse stock
- Part numbers marked with "n/a" are Not Available as spare part
- De Jong Duke recommends to have service parts available locally (SW) or as car stock (SE).

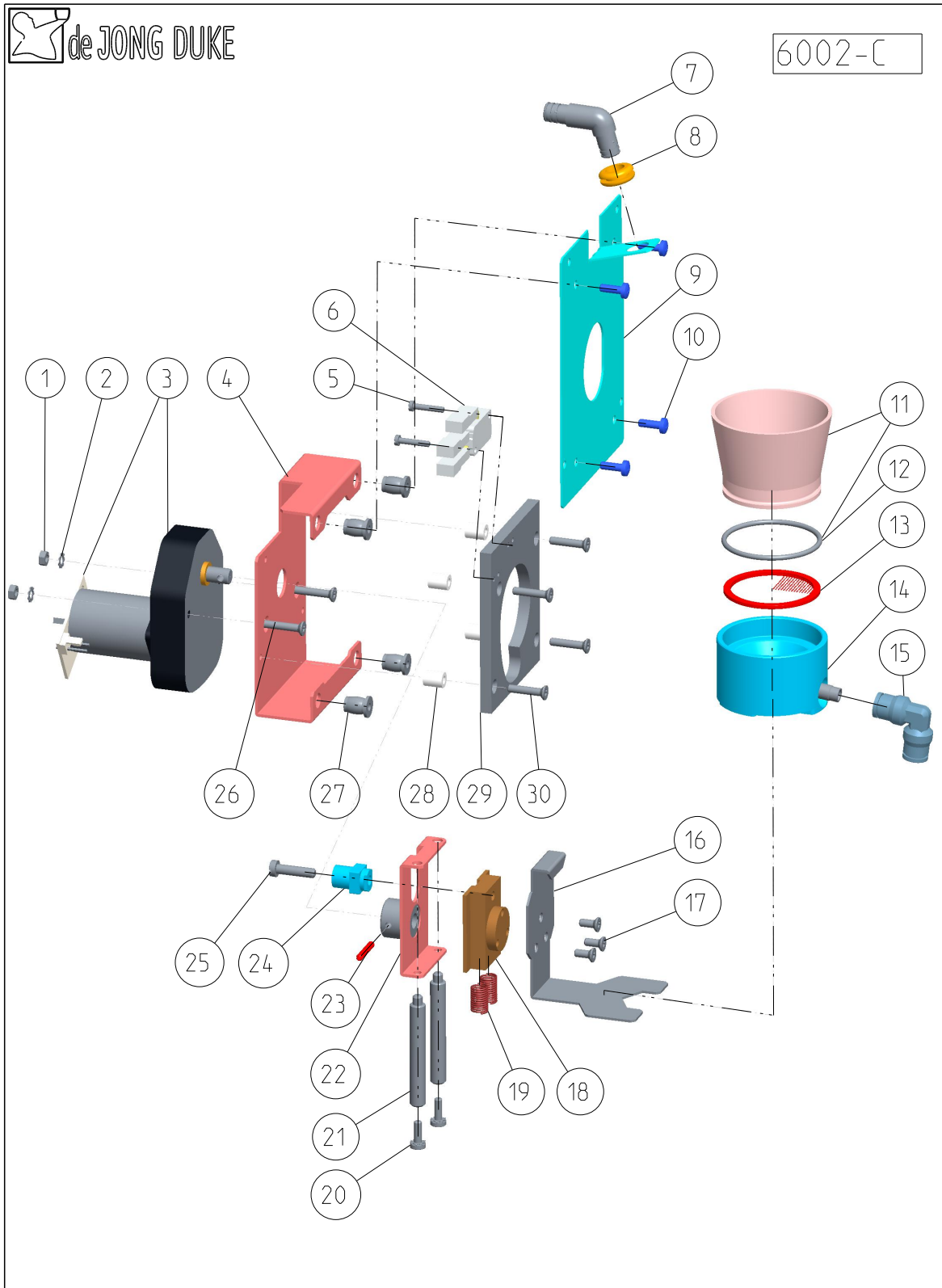
5518-A



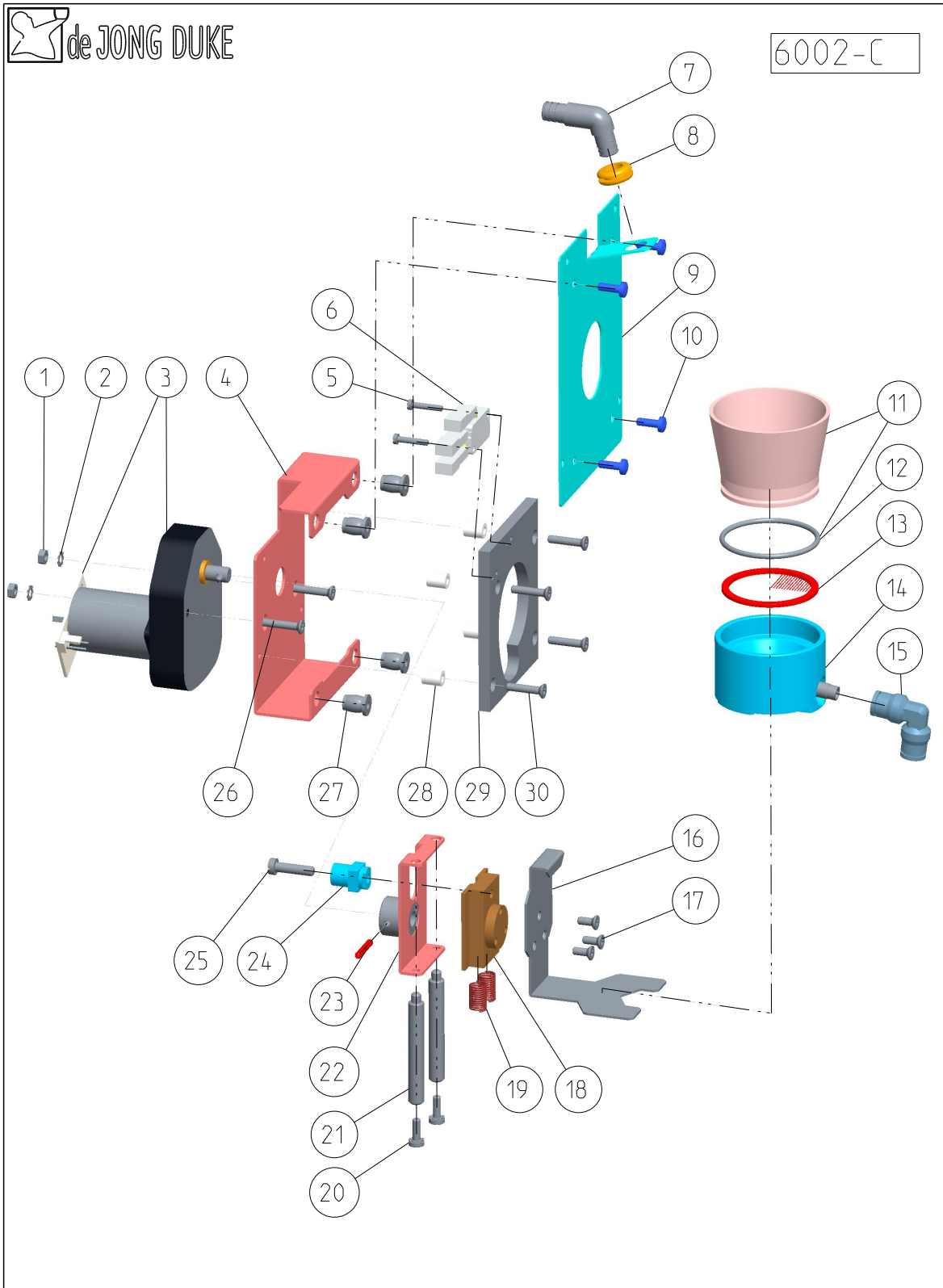
IMPORTANT
 To prevent Electrostatic discharge (ESD), always use an ESD wrist strap. Make sure to connect it to the door ground cable of the coffee machine before handling the boards.

| <i>Drawing</i> | <i>Pos</i> | <i>S</i> | <i>Part Nr</i> | <i>Qty</i> | <i>Spare Part Description</i> |
|----------------|------------|----------|----------------|------------|--|
| | | | | | SETS |
| 5518-A | 08 | SW | 9EPR025 | 1 | IOB MoVeC ICEQ with 34 outputs (CoExXL) (For 2 heating elements) <i>with item 14 and a J11 adapter cable</i> |
| | | | | | PARTS |
| 5518-A | 01 | | 6CKB130 | 1 | Power cord EU with strain relief / cable gland |
| 5518-A | 01 | | 6CKB136 | 1 | Power cord UK with strain relief / cable gland |
| 5518-A | 01 | | 6CKB137 | 1 | Power cord USA 120VAC UL |
| 5518-A | 01 | | 6CKB606 | 1 | Power cord South Africa with cable gland |
| 5518-A | 02 | SE | 4BBK032 | 2 | Bolt M4x12 with lock washer |
| 5518-A | 03 | | 5MBH492 | 1 | Electronics back panel XEA |
| 5518-A | 04 | | 4EMK022 | 1 | RJ45 Network connector panel mount |
| 5518-A | 05 | | 4BAF015 | 7 | PCB support |
| 5518-A | 06 | | 5MBH465 | 1 | Electronics back panel XNA |
| 5518-A | 07 | | 4BKM063 | 2 | Cable clamp plate rim with closure 27mm |
| 5518-A | 08 | | 6CKB545 | 1 | Wire harness canister interlock jumper |
| 5518-A | 09 | | 6CKB600 | 1 | Wire harness XNA 24V |
| 5518-A | 09 | | 6CKB602 | 1 | Wire harness XEA 24V |
| 5518-A | 10 | | 5KAE006 | 1 | Electronics cover (XEA only) |
| 5518-A | 11 | SW | 6CKB497 | 1 | Movce ICEq-Cable IOB to Controller board (HDMI) |
| 5518-A | 12 | | 4ETR013 | 1 | Ferrite split core interference filter |
| 5518-A | 13 | | 6CKB552 | 1 | 230v/120v wire harness XEA |
| 5518-A | 13 | | 6CKB544 | 1 | 230v/120v wire harness XNA |
| 5518-A | 14 | | 5EPR163 | 1 | IOB MoVeC ICEQ with 34 outputs (CoExXL) (For 2 heating elements) <i>NOTE: order 9EPR025 if a 5EPR156 IOB is replaced</i> |
| 5518-A | 15 | | 4BBK028 | 2 | Bolt M3x8 |
| 5518-A | 16 | | 6CCT002 | 1 | Connection block |
| 5518-A | 17 | SW | 5EPR076 | 1 | Power supply 230VAC - 24VDC / 120W |
| 5518-A | 17 | | 5EPR077 | 1 | Power supply 120VAC - 24VDC / 120W |
| | | | | | HISTORY |
| 5518-A | 14 | | 5EPR156 | 1 | IOB MoVeC ICEQ with 34 outputs (CoExXL) (For 2 heating elements) <i>replaced by 5EPR163 from 2021.45.XXXX.001</i> |

- Part numbers marked with "SE" are Service parts Engineer stock
- Part numbers marked with "SW" are Service parts Warehouse stock
- Part numbers marked with "n/a" are Not Available as spare part
- De Jong Duke recommends to have service parts available on local (SW) or car stock (SE).



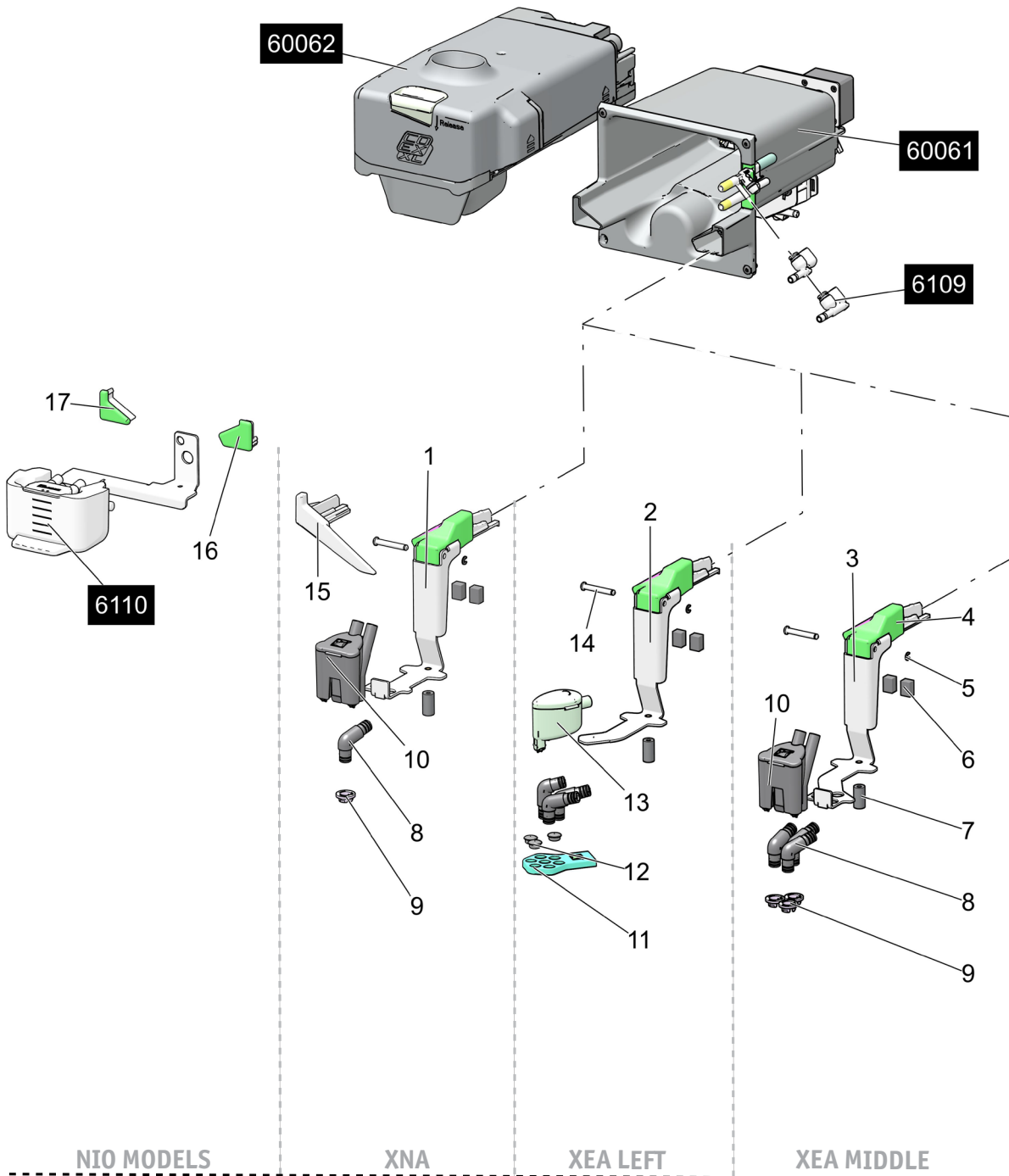
| Drawing | Pos | S | Part Nr | Qty | Spare Part Description |
|----------------|------------|----------|---------------------|------------|--|
| 6002-C | | SE | 6ZBR072 | | Tea brewer chamber assembly with 4.2 mm outlet <i>with items 11, 12, 13, 14, 15</i> |
| 6002-C | | SW | 6ZBR066 | | Tea brewer assembly with 4.2 mm outlet <i>with items 1 ~ 30</i> |
| | | | | | |
| 6002-C | 01 | | 4BMZ003 | 2 | Nut M4 |
| 6002-C | 02 | | 4BVR002 | 2 | Star washer M4 |
| 6002-C | 03 | SW | 6ZBR093 | 1 | Motor 24VDC 10RPM <i>Consists of 5EMT011 (motor) and 4EPR013 (PCB)</i> |
| 6002-C | 04 | | 5MBR047 | 1 | Frame tea brewer |
| 6002-C | 05 | | 4BBC007 | 2 | Bolt M3x16 |
| 6002-C | 06 | SW | BR8 | 1 | Micro switch |
| 6002-C | 07 | SE | 5KVL022 | 1 | Outlet knee 107 grd d=10 2x |
| 6002-C | 08 | | 4RDT010 | 1 | Cable grommet 10x12x18 for 2mm plate |
| 6002-C | 09 | | 5MBR046- RAL9005 | 1 | Cover tea brewer module |
| 6002-C | 10 | | 4BBK012 | 4 | Bolt M4x16 |
| 6002-C | 11 | | 6ZBR075 | 1 | Tea brewer bowl, closed |
| 6002-C | 12 | SE | 4ROR008 | 1 | O-Ring 45.69 x 2.62 |
| 6002-C | 13 | SE | 5RVA010 | 1 | Nylon strainer tea brewer |
| 6002-C | 14 | | 6ZBR067 | 1 | Tea brewer lower part with 4.2 mm outlet |
| 6002-C | 15 | | 4MPF056 | 1 | Insert socket 90 degrees 8-8 |
| 6002-C | 16 | | 5MBR048 | 1 | Holder for tea brewer |
| 6002-C | 17 | | 4BBK011 | 3 | Bolt M4x10 |
| 6002-C | 18 | | 5KBR008 | 1 | Tea brewer guide block |
| 6002-C | 19 | | BR118 | 1 | Pressure spring |
| 6002-C | 20 | SE | 4BBK032 | 2 | Bolt M4x12 |
| 6002-C | 21 | | 5MDF005 | 2 | Guide shaft 8x60mm |
| 6002-C | 22 | | 6ZBR016 | 1 | motor plate tea brewer |
| 6002-C | 23 | | 4BPN023 | 1 | Spring pin |
| 6002-C | 24 | | 5KBR022 | 1 | Notch tea brewer |
| 6002-C | 25 | | 4BBC030 | 1 | Bolt M5x20 |
| 6002-C | 26 | | 4BBV017 | 2 | Bolt M4x25 |
| 6002-C | 27 | | 4BMV006 | 4 | Blind nut M4x8x11.4 |
| 6002-C | 28 | | 4KAB019 | 4 | Distance holder |
| 6002-C | 29 | | 5KBR007 | 1 | Plate Tea brewer |
| 6002-C | 30 | | 4BBV047 | 4 | Bolt M4 x 18 |



| <i>Drawing</i> | <i>Pos</i> | <i>S</i> | <i>Part Nr</i> | <i>Qty</i> | <i>Spare Part Description</i> |
|----------------|------------|----------|----------------|------------|---|
| HISTORY | | | | | |
| 6002-B | | SW | 6ZBR072 | | Tea brewer chamber assembly with 5.5mm outlet <i>discontinued from 2012.02.xxxxx.xxx</i> |
| 6002-B | | SW | 6ZBR066 | | Tea brewer assembly with 5.5 mm outlet <i>discontinued from 2012.02.xxxxx.xxx</i> |
| 6002-B | 14 | | 6ZBR067 | 1 | Tea brewer lower part with 5.5 mm outlet <i>discontinued from S/N 2012.02.xxxxx.xxx</i> |
| 6002-B | 23 | | BR114 | 1 | Spring pin <i>Replaced by 4BPR020</i> |
| 6002-B | 23 | | 4BPN020 | 1 | Spring pin <i>Replaced by 4BPR023 from S/N 201228.xxxxx.xxx</i> |
| 6002-B | 26 | | 4BBK011 | 2 | Bolt M4x10 <i>Replaced by 4BBV017 from S/N 201728.xxxxx.xxx</i> |

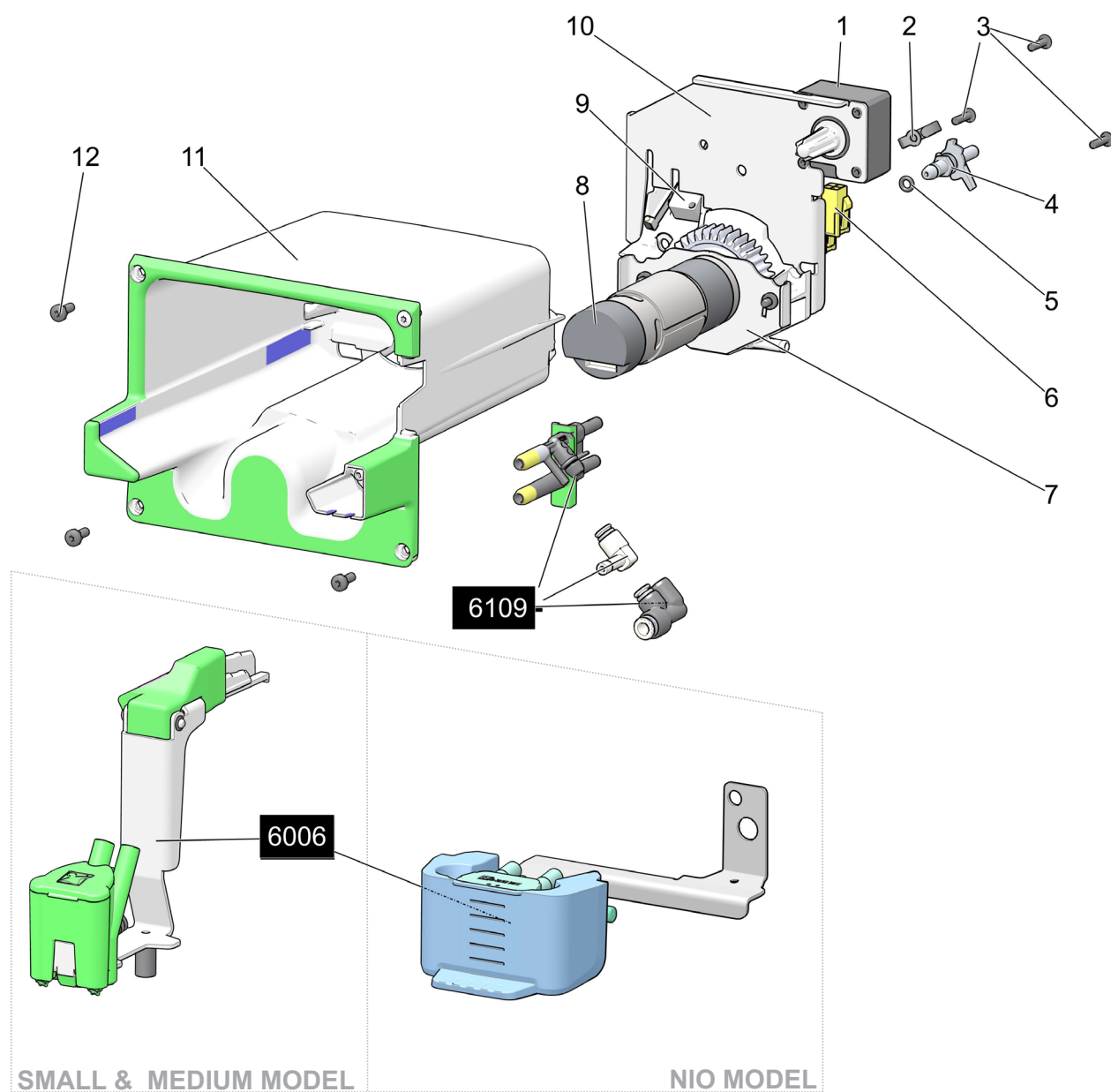
- Part numbers marked with "SE" are Service parts Engineer stock
- Part numbers marked with "SW" are Service parts Warehouse stock
- Part numbers marked with "n/a" are Not Available as spare part
- De Jong Duke recommends to have service parts directly available on local or car stock.

6006-B



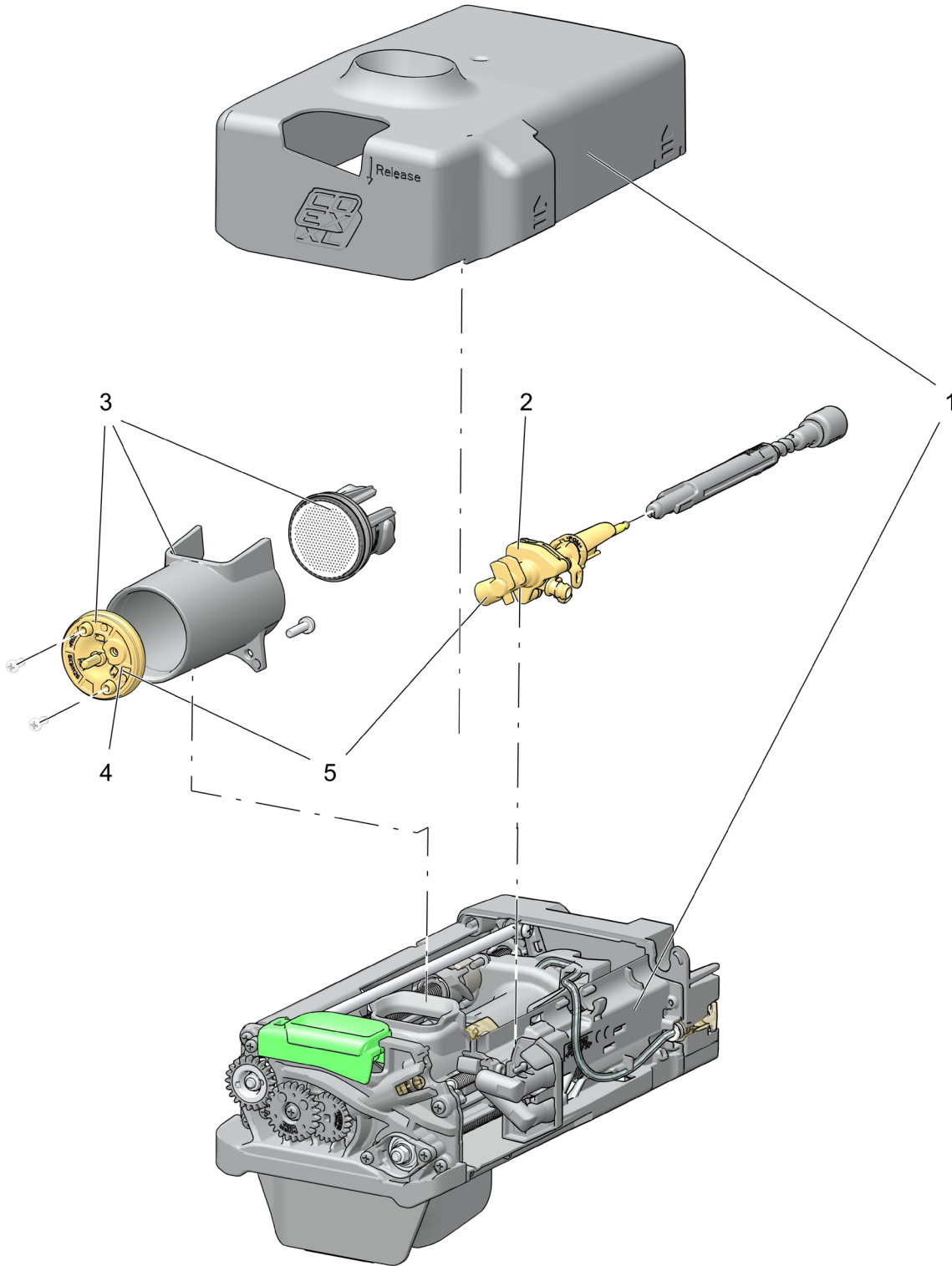
| <i>Drawing</i> | <i>Pos</i> | <i>S</i> | <i>Part Nr</i> | <i>Qty</i> | <i>Spare Part Description</i> |
|----------------|------------|----------|----------------|------------|--|
| | | | | | REFERENCES |
| 6109 | | | | | Refer to drawing: 6109 CoEx XL outlets |
| 6110 | | | | | Refer to drawing: 6110 Adj. Dispense Head 9XKA |
| 60061 | | | | | Refer to drawing: 60061 CoEx XL mounting frame |
| 60062 | | | | | Refer to drawing: 60062 CoEx XL brewer |
| | | | | | PARTS |
| 6006-B | 01 | | 5MVL255 | 1 | Dispenser Arm XNA |
| 6006-B | 02 | | 5MVL258 | 1 | Dispenser Arm XEA single decentral (left) |
| 6006-B | 03 | | 5MVL257 | 1 | Dispenser Arm XEA double central (middle) |
| 6006-B | 04 | | 5KBR143 | 1 | Mounting Adapter Dispenser Arm |
| 6006-B | 05 | | 4BBG020 | 1 | Retaining washer 3.2mm (stainless steel) |
| 6006-B | 06 | | 5MMG001 | 2 | Magnet 14x9 |
| 6006-B | 07 | | 4RDS003 | 1 | Impact buffer |
| 6006-B | 08 | SE | 5KVL022 | 1 | Outlet knee 107 grd d=10 |
| 6006-B | 09 | SE | 5KVL041 | 1 | Clamp ring outlet pipe |
| 6006-B | 10 | SE | 5KVL069 | 1 | Outlet Shute CoEx XL double |
| 6006-B | 11 | | 5KVL035 | 1 | Outlet holder CoEx (XL) |
| 6006-B | 12 | | 4KVL016 | 1 | Outlet stop |
| 6006-B | 13 | SE | 5KVL059 | 1 | Outlet Shute CoEx (XL) single |
| 6006-B | 14 | | 5MVL242 | 1 | Outlet Arm hinge pin |
| 6006-B | 15 | | 5KBR145 | 1 | Coffee Puck Guide |
| 6006-B | 16 | | 5KBR144 | 1 | Plug frame right (Nio only) |
| 6006-B | 17 | | 5KBR146 | 1 | Plug frame left (Nio only) |

60061-A



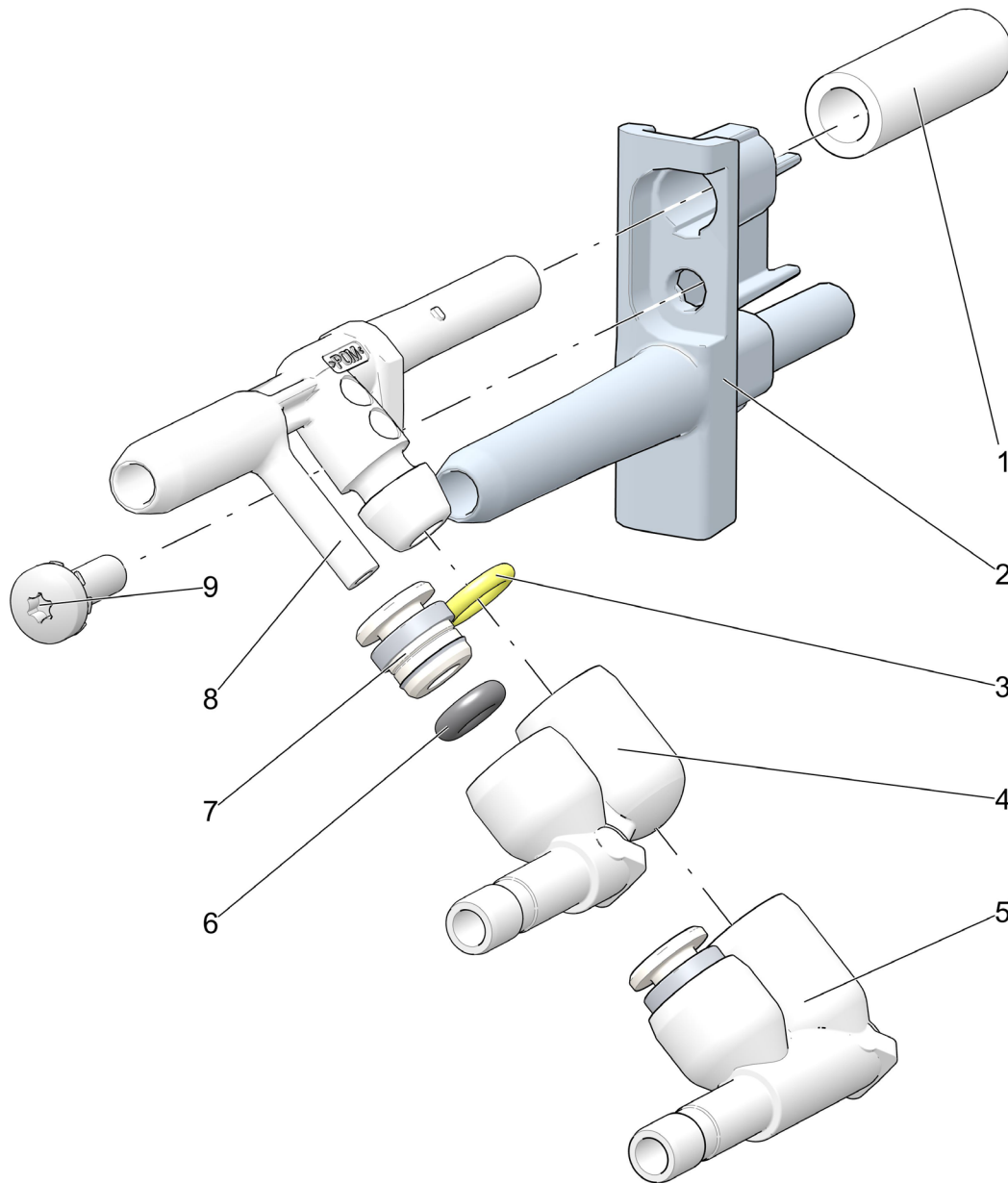
| Drawing | Pos | S | Part Nr | Qty | Spare Part Description |
|----------------|------------|----------|----------------|------------|--|
| | | | | | REFERENCES |
| 6006 | | | | | Refer to drawing: 6006 CoEx XL Brewer Overview |
| 6109 | | | | | Refer to drawing: 6109 CoEx XL outlets |
| | | | | | SETS |
| 60061-A | | | 6ZBR115 | 1 | CoEx XL Mounting Frame assy complete with motors and bracket <i>with items 1-12</i> |
| 60061-A | | | 6ZBR116 | 1 | CoEx XL Back plate assy complete with motors <i>with items 1-3, 6, 7, 8, 9, 10</i> |
| | | | | | PARTS |
| 60061-A | 01 | | 4EMT037 | 1 | Flow regulator stepper motor |
| 60061-A | 02 | | 4BKM068 | 1 | Cable clamp adjustable |
| 60061-A | 03 | | 4BSC036 | 3 | Screw torx 3.5x13.5 |
| 60061-A | 04 | SE | 9VUL019 | 1 | Water Coupling <i>including O-ring (pos 5)</i> |
| 60061-A | 05 | | 4ROR047 | 1 | O-ring water inlet CoEx XL Brewer |
| 60061-A | 06 | | 6CKB535 | 1 | Wire harness CoEx XL |
| 60061-A | 07 | | 5MBR084 | 1 | Main motor mounting plate |
| 60061-A | 08 | | 5EMT013 | 1 | Brewer Motor CoEx XL |
| 60061-A | 09 | | 4ESK055 | 1 | Micro switch (brewer present detection) |
| 60061-A | 10 | | 5MBR116 | 1 | Back plate CoEx XL |
| 60061-A | 11 | | 5KBR117 | 1 | CoEx XL brewer bracket |
| 60061-A | 12 | SE | 4BBK032 | 4 | Bolt with lock washer M4x12 |

60062-B

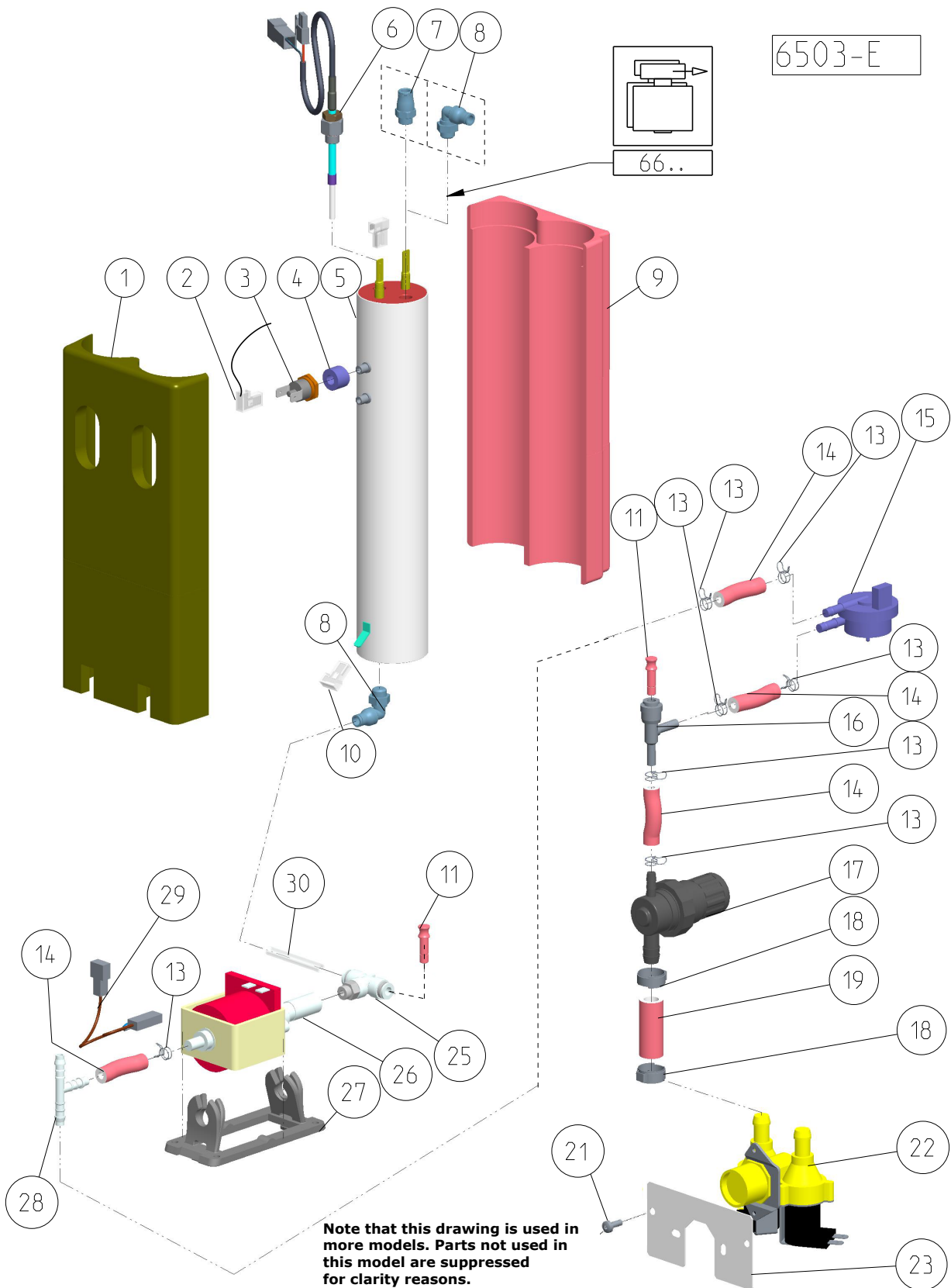


| Drawing | Pos | S | Part Nr | Qty | Spare Part Description |
|----------------|------------|----------|----------------|------------|---|
| | | | | | SETS |
| 60062-B | 01 | | 6ZBR106 | 1 | CoEx XL brewer complete |
| 60062-B | 02 | | 9ZBR067 | 1 | CoEx XL flow regulator |
| 60062-B | 03 | | 9ZBR065 | 1 | CoEx XL service set cylinder + filter |
| 60062-B | 04 | | 9ZBR068 | 1 | CoEx XL rotating front filter |
| 60062-B | 05 | | 9ZBR069 | 1 | CoEx XL flow regulator + rotating front filter <i>with items 02 and 04</i> |
| | | | | | HISTORY |

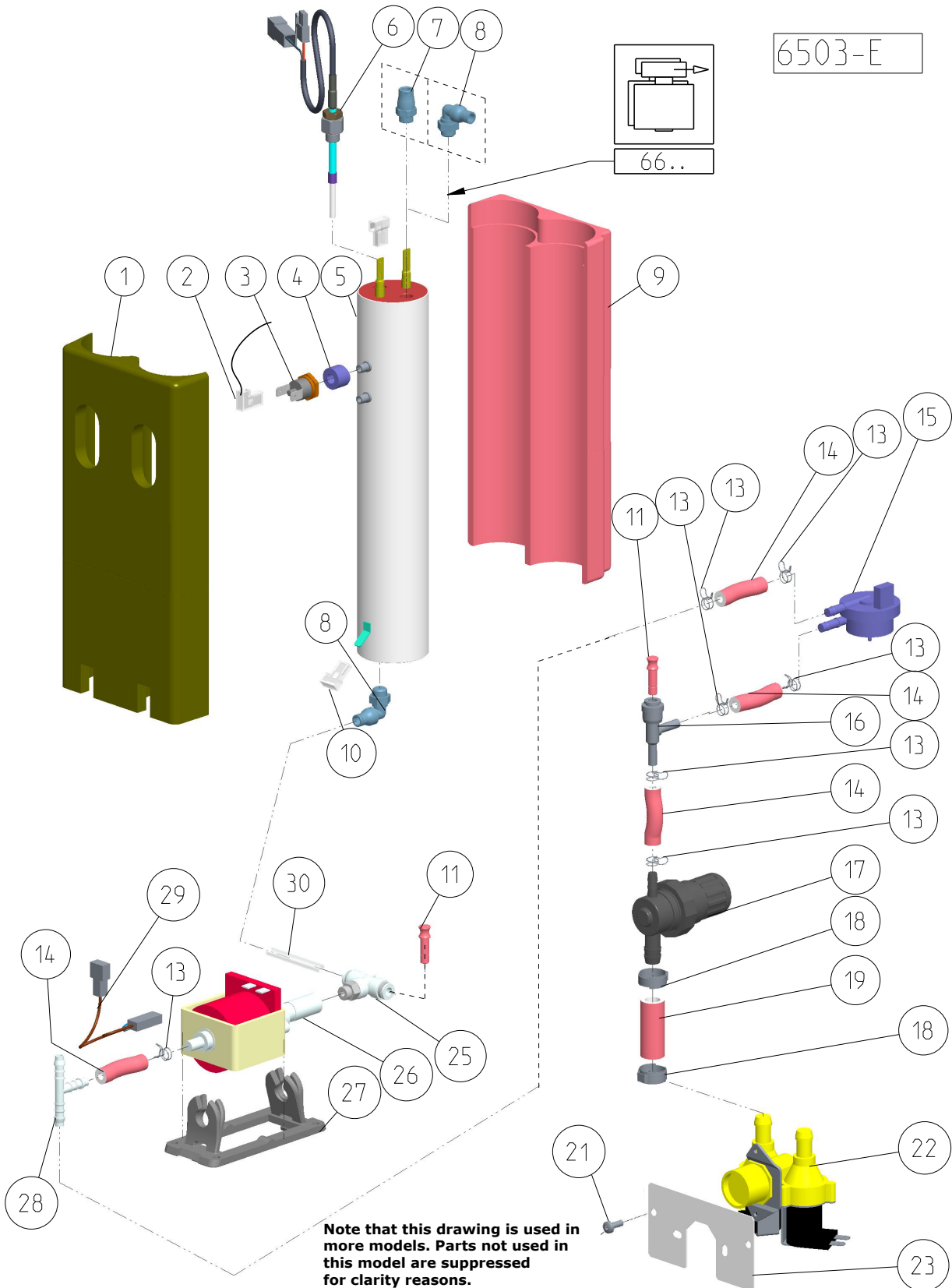
6109-B



| Drawing | Pos | S | Part Nr | Qty | Spare Part Description |
|----------------|------------|----------|----------------|------------|--|
| | | | | | SETS |
| 6109-B | | | 6ZBR114 | 1 | Drain + Coffee Outlet <i>with items 01-03, 08, 09</i> |
| | | | | | PARTS |
| 6109-B | 01 | | 4RDS004 | 1 | Add-on water connector cap |
| 6109-B | 02 | | 5KBR142 | 1 | Drain outlet adapter |
| 6109-B | 03 | | 4ROR041 | 1 | O-ring 6,07x1,78 |
| 6109-B | 04 | | 6VDG005 | 1 | Outlet coupling <i>with items 04 (5KBR193), 06 and 07</i> |
| 6109-B | 05 | | 6VDG004 | 1 | Outlet coupling with add-on water <i>with items 05 (5KBR141), 06 and 07</i> |
| 6109-B | 06 | | 4ROR045 | 1 | O-ring 3,6 x 2,4 FKM <i>Item not available separately - order pos 04 or 05</i> |
| 6109-B | 07 | | 4KPF049 | 1 | Push-in cartridge 4mm <i>Item not available separately - order pos 04 or 05</i> |
| 6109-B | 08 | | 5KBR121 | 1 | Coffee outlet adapter |
| 6109-B | 09 | SE | 4BBK032 | 1 | Bolt with lock washer M4x12 |
| | | | | | HISTORY |
| 6109-B | 05 | | 4KPF053 | 1 | Quick connection PPSU L pipe4-sl6 <i>Replaced in production by 6VDG005</i> |

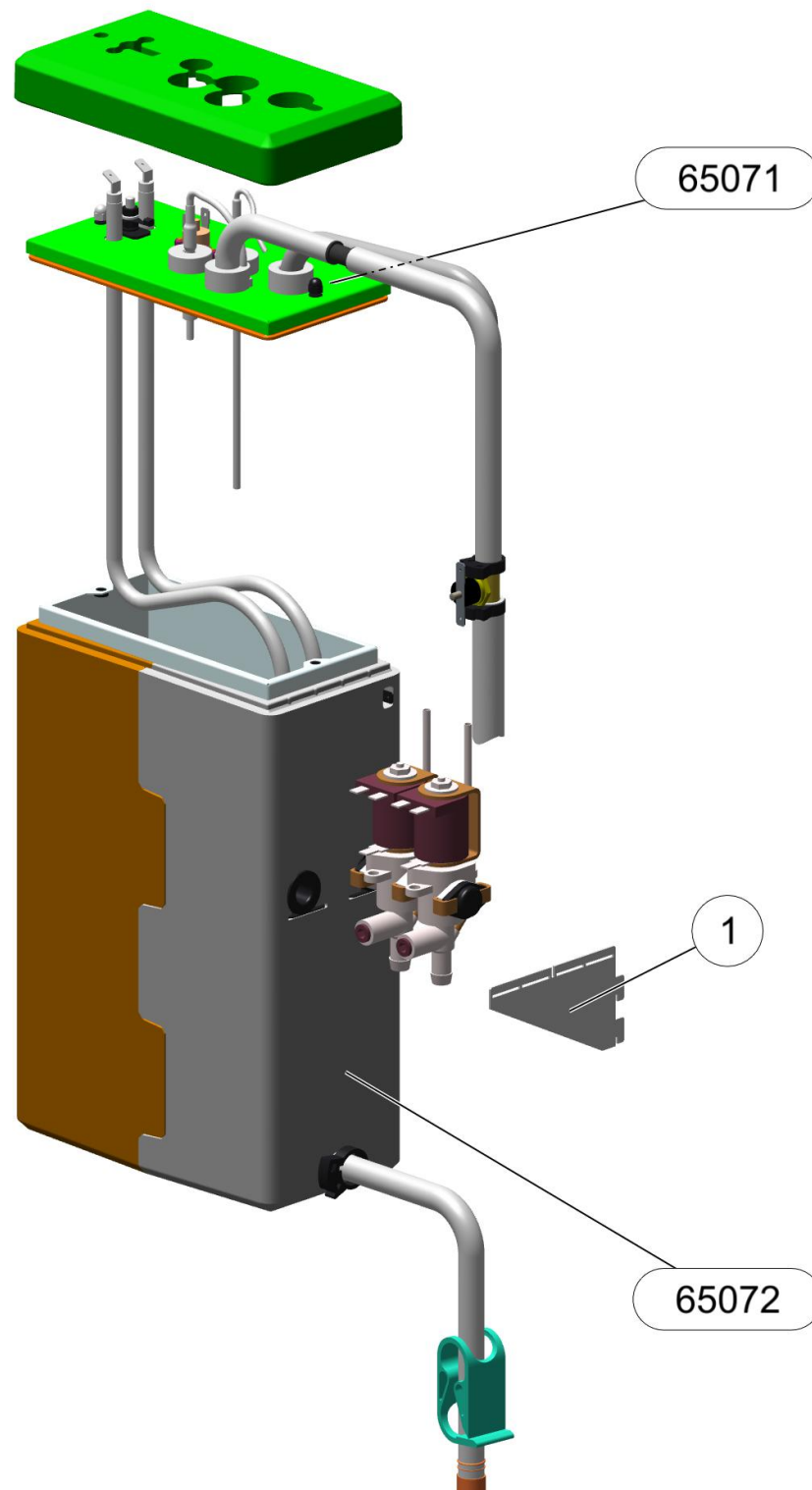


| Drawing | Pos | S | Part Nr | Qty | Spare Part Description |
|----------------|------------|----------|---------------------|------------|---|
| | | | | | REFERENCES |
| 66.. | | | | | Refer to drawing valves (PPSU) : 6608 XEA |
| | | | | | SETS - 230V Pressure Boiler |
| | | | 6VBL130 | | Pressure boiler (#1) 1660W / 230 VAC (2 clixons) assembly <i>with items: 3, 4, 5, 6, 8 (2 x 4KPF027)</i> |
| | | | 6VBL113 | | Pressure boiler (#2) 1660W / 230 VAC (2 clixons) assembly <i>with items: 3, 4, 5, 6, 8 (1 x 4KPF027)</i> |
| | | | 6VBL074 | | Pressure boiler 1660W / 230 VAC (2 clixons) assembly <i>with items: 3, 4, 5, 7 (1 x 4MPF034), 8 (1 x 4KPF032)</i> |
| | | | 6VBL092-4 | | Pressure boiler 1660W / 230 VAC assembly <i>with items: 2, 3, 4, 5, 6, 7 (1 x 4MPF100), 8 (1 x 4KPF027) and 30</i> |
| | | | | | PARTS |
| 6503-E | 01 | | 5KVL042 | | Front isolation for boilers |
| 6503-E | 02 | | 6CKB288 +6CKB308 | | Clixon phase wires |
| 6503-E | 03 | SW | 4EBV018 | | Temperature safety clixon 110+/-5°C |
| 6503-E | 04 | | 5MVL037 | | Clixon spacer |
| 6503-E | 05 | SW | 6VBL117 | | Pressure boiler 1660W 230VAC |
| 6503-E | 05 | SW | 6VBL075 | | Pressure boiler 1200W 120VAC <i>US only</i> |
| 6503-E | 06 | SE | 6CSS059 | | Boiler temperature and level probe 135 mm <i>For 1660W boiler (6VBL117); check Information Bulletin IB-20210608 for more details</i> |
| 6503-E | 06 | SE | 6CSS037 | | Boiler temperature and level probe 90 mm <i>For 1400W boiler (6VBL071); check Information Bulletin IB-20210608 for more details</i> |
| 6503-E | 07 | SE | 4MPF034 | | Push-in straight fitting 1/8"BU-sl6mm |
| 6503-E | 07 | SE | 4MPF100 | | Push-in straight fitting 1/8"bd sl6mm (stainless steel) |
| 6503-E | 08 | SE | 4KPF027 | | Quick connection PPSU L 1/8bd sl6mm |
| 6503-E | 09 | | 5KVL043 | | Back isolation for boilers |
| 6503-E | 10 | | 6CKB308 +6CKB453 | | Ground wires |
| 6503-E | 11 | | 5MPF007 | | Plug 6mm |
| 6503-E | 12 | | n/a | | |
| 6503-E | 13 | SE | 4MVR013 | | Hose clamp 11m |
| 6503-E | 14 | SE | 4XSL037 | | Pressure hose 5x11 |
| 6503-E | 15 | SE | 4ESE008 | | Watercounter / Flow meter 1.8mm |
| 6503-E | 16 | | 4KPF055 | | Quick connection PPSU T 6-6-sl6 |
| 6503-E | 17 | SE | 4MVL011 | | Pressure reducer 0-2 bar |



| Drawing | Pos | S | Part Nr | Qty | Spare Part Description |
|----------------|------------|----------|--------------------|------------|---|
| 6503-E | 18 | SE | 4BKM046 | | Hose clamp 18.5 R |
| 6503-E | 19 | SE | 4XSL050 | | Pressure hose 10x16 PVC |
| 6503-E | 20 | | n/a | | |
| 6503-E | 21 | | 4BBK032 | | Bolt M4x12 and washer |
| 6503-E | 22 | SE | 4EMV071 | | Inlet valve double 24V DC with backflow protection |
| 6503-E | 23 | | 5MVL082 | | Fixing plate inlet valve |
| 6503-E | 24 | | n/a | | |
| 6503-E | 25 | SE | 4KPF023 | | Push-in T fitting 1/8bd sl6mm (PPSU) |
| 6503-E | 26 | SE | 4EMT027 | | Pump 0-15bar |
| 6503-E | 27 | SW | 5RVA019 | | Rubber pump mounting |
| 6503-E | 28 | SE | 4KVL013 | | T-connector 4mm |
| 6503-E | 29 | | 6CKB511 | | Thermal cut-out / temperature protection |
| 6503-E | 30 | SE | 4XSL035 | | Pressure tube 6mm |
| | | | | | HISTORY |
| 6503-E | 05 | SW | 6VBL071 | | Pressure boiler 1400W 230VAC <i>Replaced by 6VBL117 from S/N 2021.14.0428.001; check Information Bulletin IB-20210608 for more details</i> |

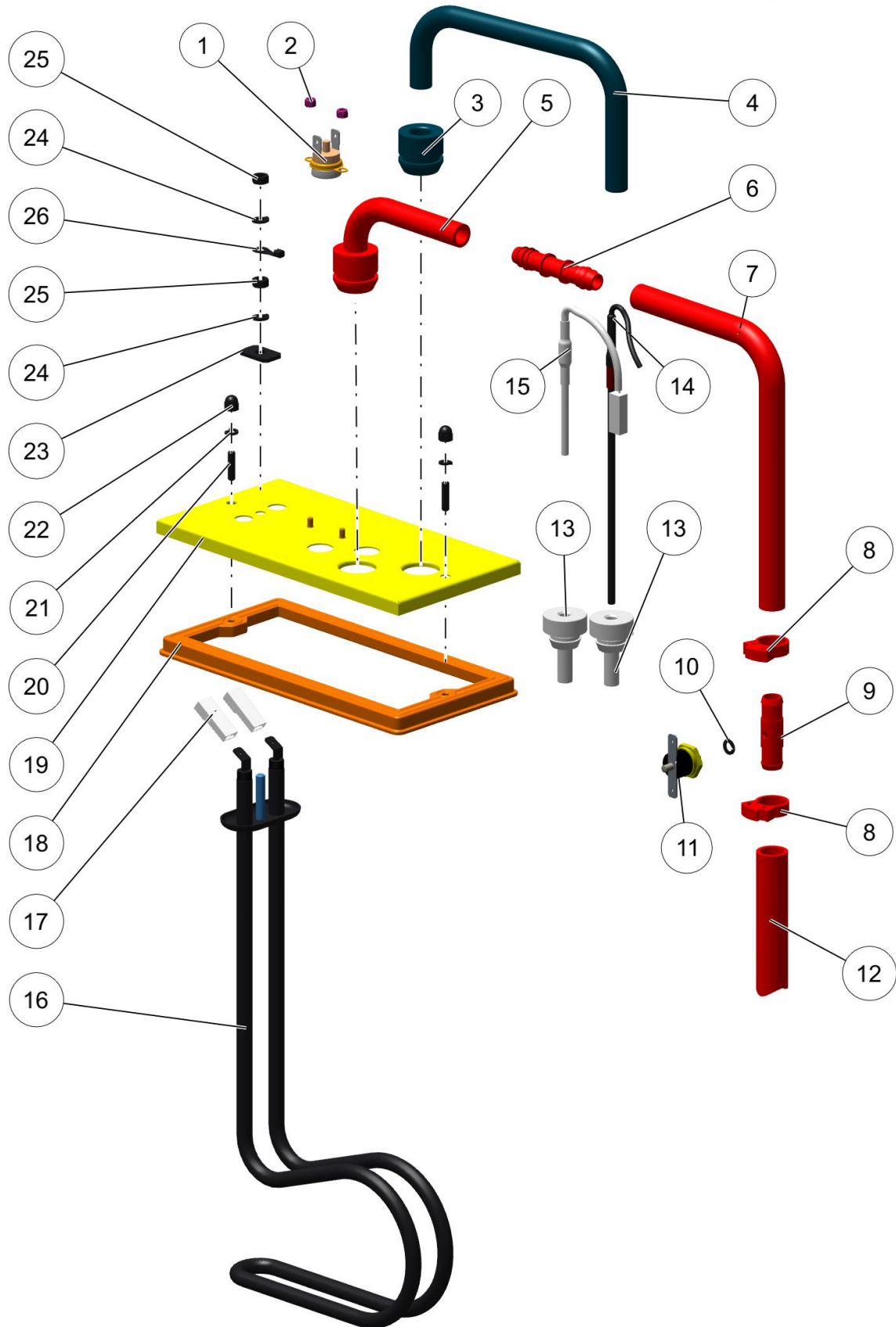
6507-A



| <i>Drawing</i> | <i>Pos</i> | <i>S</i> | <i>Part Nr</i> | <i>Qty</i> | <i>Spare Part Description</i> |
|----------------|------------|----------|----------------|------------|--|
| | | | | | References |
| 65071 | | | | | Refer to drawing 65071: Open boiler Lid XEA |
| 65072 | | | | | Refer to drawing 65072: Open boiler Vessel XEA |
| | | | | | Parts |
| 6507-A | 01 | | 5MVL053 | 1 | Plate for outlet valves <i>only needed if 3 outlet valves are installed</i> |

- Part numbers marked with "SE" are Service parts Engineer stock
- Part numbers marked with "SW" are Service parts Warehouse stock
- Part numbers marked with "n/a" are Not Available as spare part
- De Jong Duke recommends to have service parts available on local (SW) or car (SE) stock.

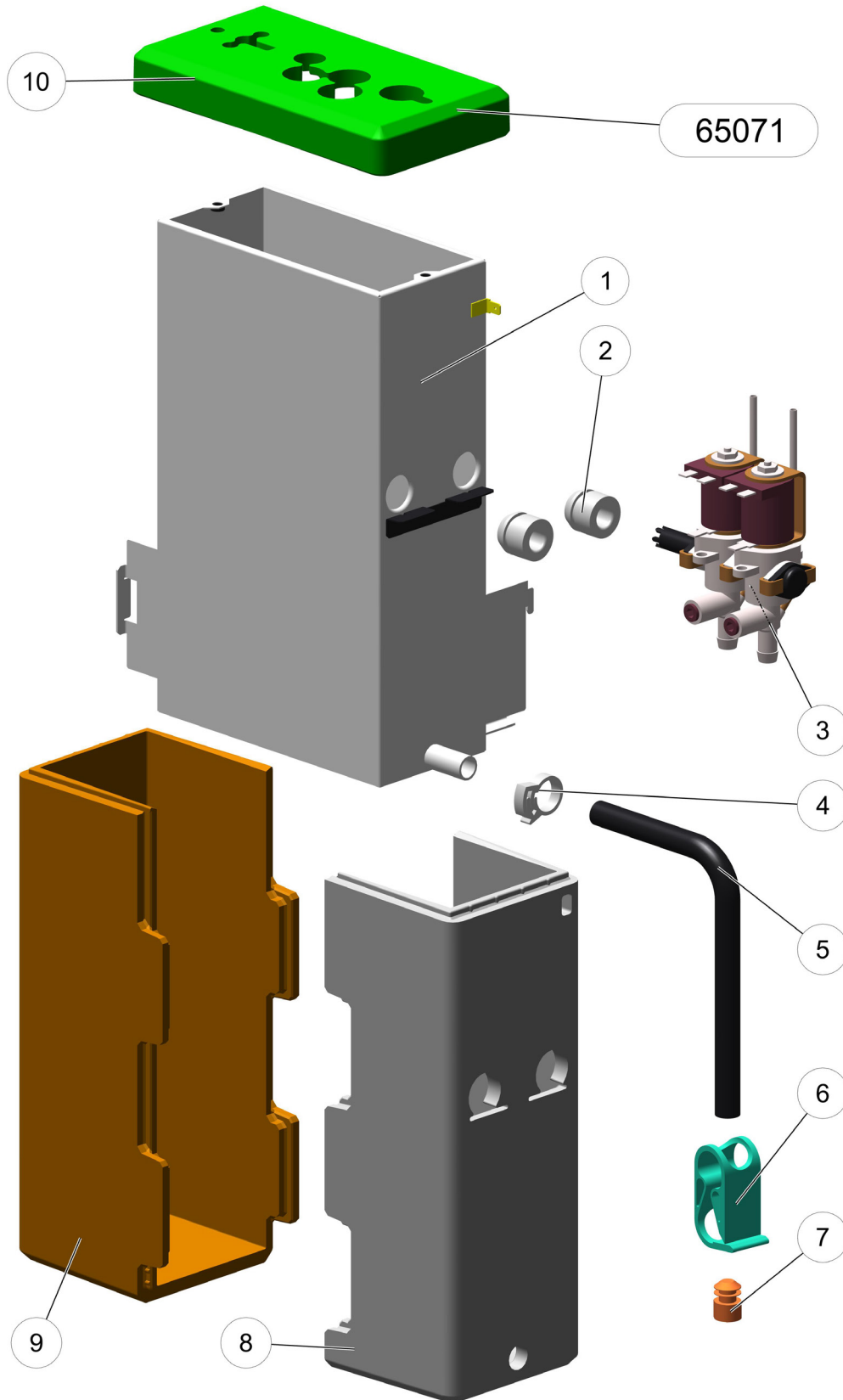
65071-A



| <i>Drawing</i> | <i>Pos</i> | <i>S</i> | <i>Part Nr</i> | <i>Qty</i> | <i>Spare Part Description</i> |
|----------------|------------|----------|----------------|------------|---|
| | | | | | SETS |
| 65071-A | | SW | 6VUL060 | 1 | Clixon Assembly <i>with items 09, 10, 11</i> |
| | | | | | Open Boiler Lid |
| 65071-A | | SW | 6VBL147 | | Open Boiler Lid Assembly 1x 2250W 230V AC <i>with items 1-3, 13-17, 19, 23-25</i> |
| | | | | | Open Boiler Assembly Complete |
| 65071-A | | SW | 6VBL144 | | Open Boiler Assembly 1x 2250W 230V <i>contains assembly (6VBL147), items 08, 09, 10 from drawing 65072 and items 03, 18, 20-22</i> |
| | | | | | PARTS |
| 65071-A | 01 | SW | 4EBV017 | 1 | Temperature safety 110 Celcius (clixon) |
| 65071-A | 02 | | 4BMZ043 | 2 | Nut lock M3 |
| 65071-A | 03 | SE | 5RDT004 | 1 | Open fitting stainless-steel-boiler |
| 65071-A | 04 | | 5MVL151 | 1 | Inlet pipe boiler 130mm |
| 65071-A | 05 | SW | 5RDT006 | 1 | Tube overflow |
| 65071-A | 06 | | 4KVL014 | 1 | Tube connection 12-12 |
| 65071-A | 07 | | XF50A | | Supply hose |
| 65071-A | 08 | | 4BKM022 | 2 | Hose Clamp Water Tank Inlet d=13.5-15 |
| 65071-A | 09 | | 5MVL148 | 1 | Clixon pipe |
| 65071-A | 10 | | 4BVR010 | 1 | Spring washer M5 |
| 65071-A | 11 | SW | B52 | 1 | Clixon Steam Protection 90 Celcius |
| 65071-A | 12 | | XF50A | | Supply hose |
| 65071-A | 13 | SW | 5RDT009 | 2 | Stopfitting sensor boiler |
| 65071-A | 14 | SE | 5ESE009 | 1 | Temperature sensor 140mm for open boiler |
| 65071-A | 15 | SE | 5ESE010 | 1 | Level probe open boiler |
| 65071-A | 16 | SW | 5EVW016 | 1 | Heater element 2250W 230V AC short |
| 65071-A | 17 | | 6CKB637 | 1 | Wire harness open boiler 230V |
| 65071-A | 18 | SW | 5RVA017 | 1 | Seal Open boiler |
| 65071-A | 19 | | 5MVL147 | 1 | Boiler lid for 1 heater |
| 65071-A | 20 | | 4BBY029 | 2 | Screw M4x16 stainless steel |
| 65071-A | 21 | | 4BVR018 | 2 | Spring washer M4 stainless steel |
| 65071-A | 22 | | 4BMZ023 | 2 | Acorn nut M4 stainless steel |
| 65071-A | 23 | | 5MVL123 | 1 | Fixation plate heater |
| 65071-A | 24 | | 4BVR017 | 2 | Spring washer M5 stainless steel |
| 65071-A | 25 | | 4BMZ022 | 2 | Nut M5 |
| 65071-A | 26 | | | 1 | Ground wire (from wire harness - pos 17) |
| | | | | | HISTORY |
| 65071-A | 17 | | 6CKB458 | 1 | Wire harness open boiler 230V <i>Replaced by 6CKB637 from S/N 2023.41.xxxx.xxx</i> |

- Part numbers marked with "SE" are Service parts Engineer stock
- Part numbers marked with "SW" are Service parts Warehouse stock
- Part numbers marked with "n/a" are Not Available as spare part
- De Jong Duke recommends to have service parts available on local (SE) or car stock (SW).

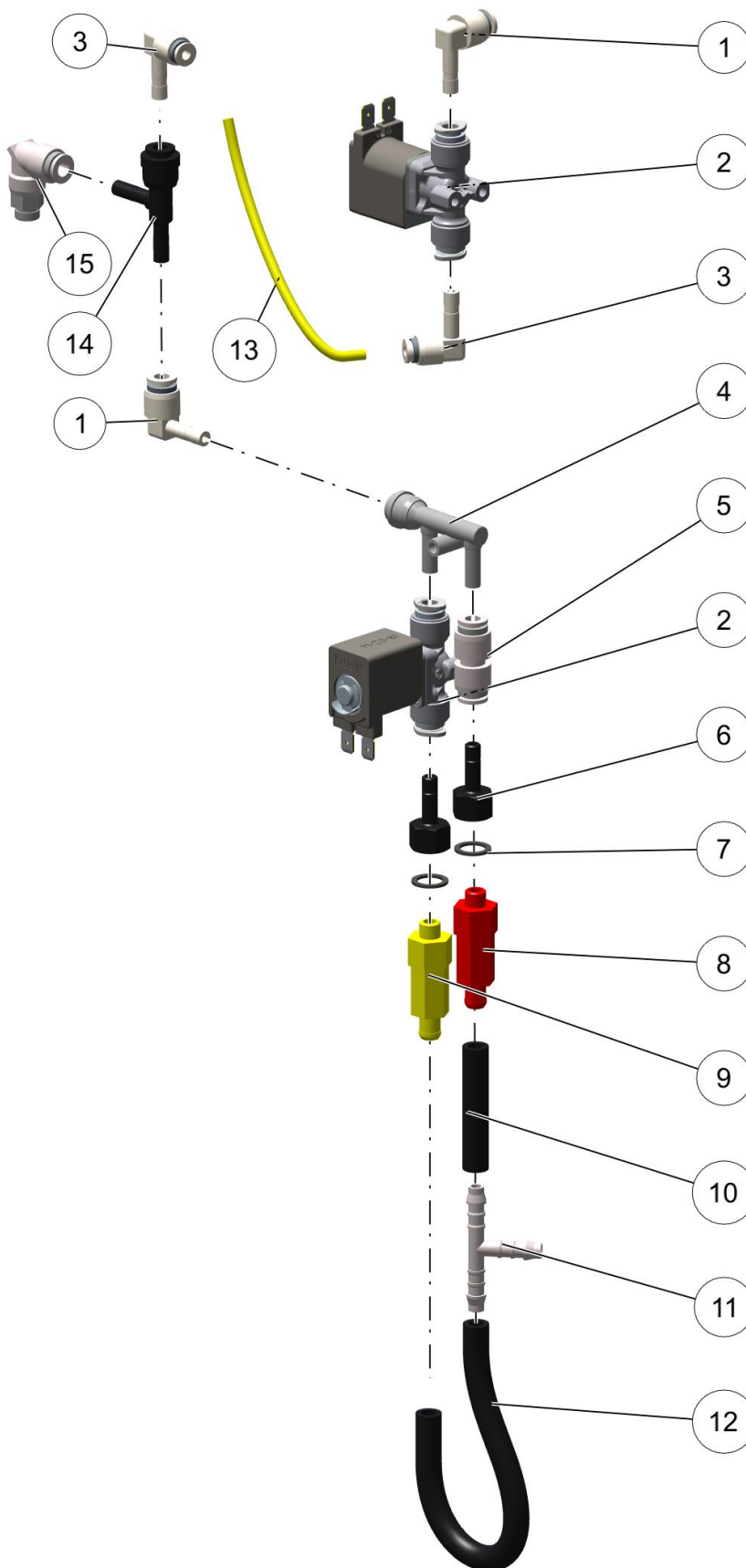
65072-A



| Drawing | Pos | S | Part Nr | Qty | Spare Part Description |
|----------------|------------|----------|----------------|------------|--|
| 65072-A | 01 | | 6VBL136 | 1 | Boiler tank stainless steel |
| 65072-A | 02 | SE | 5RDT004 | 2 | Open fitting stainless-steel-boiler (3.5L) |
| 65072-A | 03 | SE | 4EMV022 | n | Outlet valve Muller Single Left (24v) |
| 65072-A | 03 | SE | 4EMV023 | n | Outlet valve Muller Double Left (24v) |
| 65072-A | 03 | SE | 4EMV024 | n | Outlet valve Muller 3-way Left (24v) |
| 65072-A | 05 | | 4XSL005 | 1 | tube 10x14 |
| 65072-A | 06 | | 4KVL010 | 1 | Cut-off clamp hose 19 mm |
| 65072-A | 07 | | 4KDS006 | 1 | Draining plug boiler |
| 65072-A | 08 | | 5KVL089 | 1 | Open boiler (short) Isolation (with holes) |
| 65072-A | 09 | | 5KVL091 | 1 | Open boiler (short) Isolation (no holes) |
| 65072-A | 10 | | 5KVL090 | 1 | Open boiler (short) Isolation (lid) |
| HISTORY | | | | | |

- Part numbers marked with "SE" are Service parts Engineer stock
- Part numbers marked with "SW" are Service parts Warehouse stock
- Part numbers marked with "n/a" are Not Available as spare part
- De Jong Duke recommends to have service parts available on local (SW) or car (SE) stock.

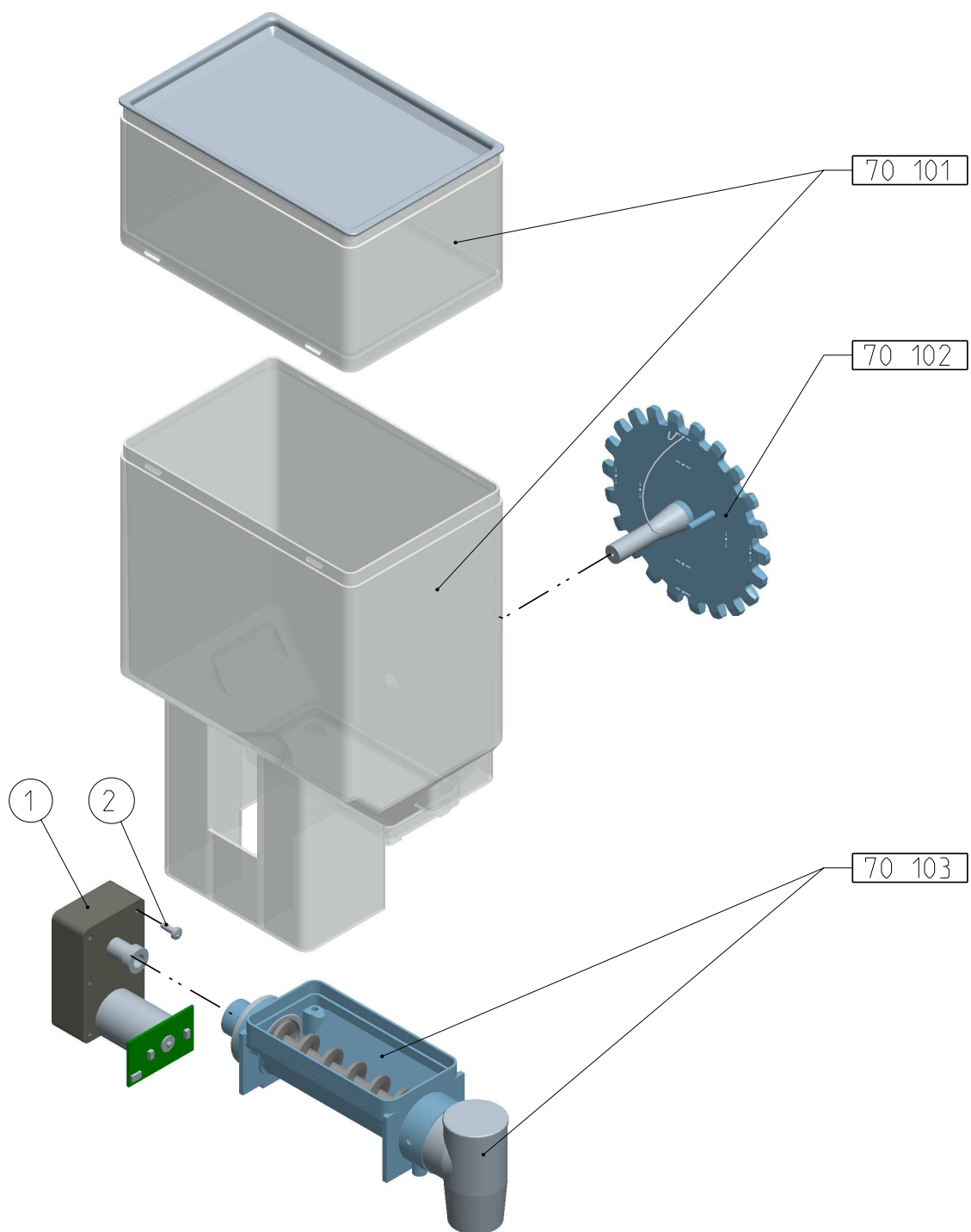
6608-A



| <i>Drawing</i> | | <i>Part Nr</i> | <i>Qty</i> | <i>Spare Part Description</i> |
|----------------|----|----------------|------------|---|
| 6608-A | 01 | 4KPF030 | 1 | Quick Connection PPSU L pipe6-sl6 |
| 6608-A | 02 | 4EMV062 | 4 | Outlet Valve PPSU 2-way DN1,5/16bar |
| 6608-A | 03 | 4KPF053 | 1 | Quick Connection PPSU L pipe6 sl4 |
| 6608-A | 04 | 4KPF036 | 1 | Manifold PPSU 2-out closed |
| 6608-A | 05 | 4KPF025 | 1 | Quick Connection PPSU straight sl6mm-sl6mm |
| 6608-A | 06 | 5MPF009 | 2 | Push-in straight fitting G1/8bd sl6mm (stainless steel) |
| 6608-A | 07 | 4BPR031 | 2 | Sealing ring fiber 10x14x1 |
| 6608-A | 08 | 4MPF085 | 1 | Safety Valve 12 bar (stainless steel 303) |
| 6608-A | 09 | 4MPF084 | 1 | Safety Valve 2 bar (stainless steel 303) |
| 6608-A | 10 | 4XSL002 | 1 | Silicone tube grey 6x10 |
| 6608-A | 11 | 4KVL013 | 1 | T-connector 4mm (POM) |
| 6608-A | 12 | 4XSL002 | 1 | Silicone tube grey 6x10 |
| 6608-A | 13 | 4XSL047 | 1 | Pressure Tube 2x4mm |
| 6608-A | 14 | 4KPF055 | 1 | Quick connection PPSU T 6-6-sl6 |
| 6608-A | 15 | 4KPF027 | 1 | Quick connection PPSU L 1/8bd sl6mm |
| | | | | HISTORY |
| | | | | |













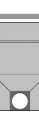
- Part numbers marked with "SE" are Service parts Engineer stock
- Part numbers marked with "SW" are Service parts Warehouse stock
- Part numbers marked with "n/a" are Not Available as spare part
- De Jong Duke recommends to have service parts available on local (SW) or car stock (SE).

7010-B

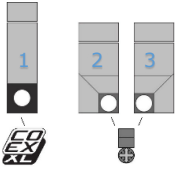
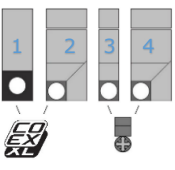
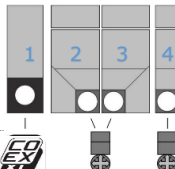
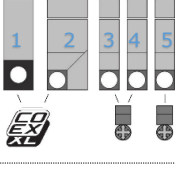
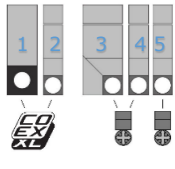
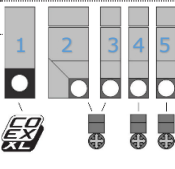


| <i>Drawing</i> | <i>Pos</i> | <i>S</i> | <i>Part Nr</i> | <i>Qty</i> | <i>Spare Part Description</i> |
|----------------|------------|----------|----------------|------------|---|
| 70101 | | | | | Refer to drawing 70101: Canister Body |
| 70102 | | | | | Refer to drawing 70102: Canister Wheel and Spring |
| 70103 | | | | | Refer to drawing 70103: Canister Spring |
| | | | | | |
| 7010-B | 01 | SE | 5EMT007 | 1 | Powder motor 120 rpm 24VDC |
| 7010-B | 02 | | 4BSC036 | 2 | Cutting screw 3.5x9.5 |

CANISTER OVERVIEW

| TYPE | ORD#NBR | INGREDIENT | | | | | | | | | | | | |
|---|----------------------------|------------|--------|----------------|--------------|---------------|-------|------|-------------|-----|---------|------|------|----------------|
| | | BEANS | COFFEE | INSTANT COFFEE | DECAF COFFEE | INSTANT DECAF | SUGAR | SOUP | INSTANT TEA | TEA | TOPPING | CHOC | MILK | FRENCH VANILLA |
|  | 6DCN335 BEANS IN DOOR | + | | | | | | | | | | | | |
|  | 9DCN088 * BEAN CANISTER | + | | | | | | | | | | | | |
| *) 9DCN088 also available with lock: 9DCN090 or with extension: 9DCN089 or extension with lock: 9DCN091 | | | | | | | | | | | | | | |
| 58 | | | | | | | | | | | | | | |
|  | 9DCN100111 | | | + | | | | | | | | | | |
| | 9DCN100113 | | | | | | + | | | | | | | |
| | 9DCN100114 | | | | | | | | + | | | | | |
| | 9DCN120113 | | + | | + | | | + | | | + | + | | |
|  | 9DCN101111 | | | + | | + | | | | + | | | | |
| | 9DCN101113 | | | | | | + | | | | | | | |
| | 9DCN101114 | | | | | | | | + | | | | | |
| | 9DCN121113 | | + | | + | | | + | | | + | + | + | + |
| 88 | | | | | | | | | | | | | | |
|  | <i>LEFT</i> 9DCN320113 | | + | | | | | | | | | + | | |
|  | 9DCN201111 | | | + | | | | | | | | | | |
| | 9DCN220113 | | + | | | | | | | | | | | |
| | 9DCN221113 | | | | | | | + | | | + | + | | |
|  | <i>LEFT</i> 9DCN321113 | | | | | | | | | | + | + | | |
| 118 | | | | | | | | | | | | | | |
|  | 9DCN420113 | | | | | | | | | | + | + | | |
|  | 9DCN401111 | | | + | | | | | | | | | | |
| | 9DCN401113 | | | | | | + | | | | | | | |
| | 9DCN421113 | | + | | + | | | | | | + | + | | |
|  | <i>LEFT</i> 9DCN520113 | | + | | | | | | | | + | + | | |
|  | <i>LEFT</i> 9DCN521113 | | + | | | | | | | | + | + | | |
| 174 | | | | | | | | | | | | | | |
|  | 9DCN620113 | | + | | | | | | | | + | + | | |
|  | 9DCN601111 | | | + | | | | | | | | | | |
| | 9DCN621113 | | + | | | | | | | | | | | |
| | 9DCN621123 | | + | | | | | | | | | | | |

O:\Duke\Afdelingen\Aftersales\02- Knowledge Base\# AS&CS_Documentation_Doc_General\Canister Configurations\CANISTER_CONFIGURATIONS_OVERVIEW_9DCNx_9CKA_V11.docx

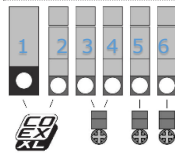
| 9XEA | | VISIBLE BEAN CANISTER | | | | | INGREDIENT | ORD# CAN. | ORD# OUTLET |
|---|----|------------------------------|-----|-----|-----|----|-------------------|------------------|--------------------|
| # | 1 | 2 | 3 | 4 | 6 | 7 | | | |
| 19123 1020 - 45  | 1 | BC | | | | | BEANS | 9DCN088* | 6DUL011*** |
| | 2 | | 118 | | | | CHOC | 9DCN521113 | 6DUL009 |
| | 3 | | | 118 | | | TOPPING | 9DCN421113 | 5KPD042+5KPD039 |
| | | | | | | | | | |
| 19124 2020 - 245  | 1 | BC | | | | | BEANS | 9DCN088* | 6DUL011*** |
| | 2 | | 118 | | | | COFF / DECAF | 9DCN421113 | 6DUL012 |
| | 3A | | | | | | TOPPING | 9DCN121113 | 6DUL009 |
| | 3B | | | 58 | | | CHOC | 9DCN121113 | 6DUL009 |
| | 4A | | | | | | TOPPING | 9DCN421113 | 5KPD042+5KPD039 |
| | 4B | | | | 118 | | CHOC | 9DCN421113 | 5KPD042+5KPD039 |
| | | | | | | | | | |
| 19134 1201 - 346  | 1 | BC | | | | | BEANS | 9DCN088* | 6DUL011*** |
| | 2 | | 118 | | | | CHOC | 9DCN521113 | 5KPD041+5KPD039 |
| | 3 | | | 118 | | | TOPPING | 9DCN421113 | 5KPD042+5KPD039 |
| | 4A | | | | | | SUGAR | 9DCN101113 | 6DUL016 |
| | 4B | | | | 58 | | I-COFFEE | 9DCN101111 | 6DUL016 |
| | | | | | | | | | |
| 19135 2021 - 2456  | 1 | BC | | | | | BEANS | 9DCN088* | 6DUL011*** |
| | 2 | | 118 | | | | COFFEE | 9DCN421113 | 6DUL012 |
| | 3 | | | 58 | | | CHOC | 9DCN121113 | 6DUL009 |
| | 4 | | | | 58 | | TOPPING | 9DCN121113 | 5KPD042+5KPD039 |
| | 5A | | | | | | SUGAR | 9DCN101113 | 5KPD016+5KPD039 |
| | 5B | | | | 58 | | I-COFFEE | 9DCN101111 | 5KPD016+5KPD039 |
| | | | | | | | | | |
| 19135 2021 - 2456  | 1 | BC | | | | | BEANS | 9DCN088* | 6DUL011*** |
| | 2 | | 58 | | | | COFFEE | 9DCN121113 | 6DUL012 |
| | 3 | | | 118 | | | CHOC | 9DCN521113 | 6DUL009 |
| | 4 | | | | 58 | | TOPPING | 9DCN121113 | 5KPD042+5KPD039 |
| | 5 | | | | | 58 | SUGAR | 9DCN101113 | 5KPD016+5KPD039 |
| | | | | | | | | | |
| 19145 1211 - 3456  | 1 | BC | | | | | BEANS | 9DCN088* | 6DUL011*** |
| | 2A | | 118 | | | | CHOC | 9DCN521113 | 5KPD041+5KPD039 |
| | 2B | | 118 | | | | TOPPING | 9DCN521113 | 5KPD041+5KPD039 |
| | 3A | | | 58 | | | TOPPING | 9DCN121113 | 5KPD042+5KPD039 |
| | 3B | | | 58 | | | CHOC | 9DCN121113 | 5KPD042+5KPD039 |
| | 4A | | | | 58 | | SUGAR | 9DCN101113 | 5KPD016+5KPD039 |
| | 4B | | | | 58 | | I-TEA | 9DCN101114 | 5KPD016+5KPD039 |
| | 5A | | | | | 58 | I-COFFEE | 9DCN101111 | 5KPD016+5KPD039 |
| | 5B | | | | | 58 | SUGAR | 9DCN101113 | 5KPD016+5KPD039 |

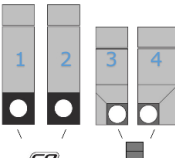
9xes-1-2

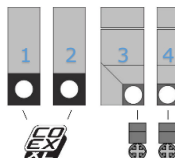
*) 9DCN088 also available with lock: 9DCN090 or with extension: 9DCN089 or extension with lock: 9DCN091

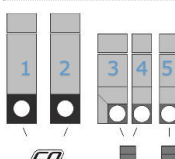
**) When the D-grinder is installed use the 5KBN028 (outlet) and the 5KBN029 (cap)

9XEA **VISIBLE BEAN CANISTER – CONTINUED**

| # | 1 | 2 | 3 | 4 | 6 | 7 | INGREDIENT | ORD# CAN. | ORD# OUTLET | |
|---|----|----|----|----|----|----|--------------|----------------|-----------------|-----------------|
| 19146 ₂₂₁₁₋₂₃₄₅₆ | 1 | BC | | | | | BEANS | 9DCN088* | 6DUL011*** | |
|  | 2 | | 58 | | | | COFF / DECAF | 9DCN121113 | 6DUL012 | |
| | 3 | | | 58 | | | CHOC | 9DCN121113 | 5KPD041+5KPD039 | |
| | 4 | | | | 58 | | TOPPING | 9DCN121113 | 5KPD042+5KPD039 | |
| | 5 | | | | | 58 | SUGAR | 9DCN101113 | 5KPD016+5KPD039 | |
| | 6A | 58 | | | | | | M-TOPPING | 9DCN121113 | 5KPD016+5KPD039 |
| | 6B | | | | | | | I-COFFEE | 9DCN101111 | 5KPD016+5KPD039 |
| | 6C | | | | | | | SOUP | 9DCN121113 | 5KPD016+5KPD039 |
| | 6D | | | | | | | I-TEA | 9DCN101114 | 5KPD016+5KPD039 |
| | 6E | | | | | | | FRENCH-VANILLA | 9DCN121113 | 5KPD016+5KPD039 |

| # | 1 | 2 | 3 | 4 | 6 | 7 | INGREDIENT | ORD# CAN. | ORD# OUTLET | |
|---|----|-------|----|---|---|---|------------|-----------|-------------|-----------------|
| 19224 ₂₀₂₀₋₄₅ | 1 | BC | | | | | BEANS1 | 9DCN088* | 6DUL011*** | |
|  | 2 | | BC | | | | BEANS2 | 9DCN088* | 6DUL011*** | |
| | 3A | 58 ** | | | | | | CHOC | 9DCN121113 | 6DUL009 |
| | 3B | | | | | | | TOPPING | 9DCN121113 | 6DUL009 |
| | 3A | 88 ** | | | | | | CHOC | 9DCN321113 | 6DUL009 |
| | 3B | | | | | | | TOPPING | 9DCN321113 | 6DUL009 |
| | 4A | 58 | | | | | | TOPPING | 9DCN421113 | 5KPD042+5KPD039 |
| | 4B | | | | | | | CHOC | 9DCN421113 | 5KPD042+5KPD039 |

| # | 1 | 2 | 3 | 4 | 6 | 7 | INGREDIENT | ORD# CAN. | ORD# OUTLET |
|---|---|----|----|-----|----|---|-------------|------------|-----------------|
| 19234 ₂₀₁₁₋₅₆ | 1 | BC | | | | | BEANS1 | 9DCN088* | 6DUL011*** |
|  | 2 | | BC | | | | BEANS2 | 9DCN088* | 6DUL011*** |
| | 3 | | | 118 | | | CHOC / TOP. | 9DCN521113 | 5KPD016+5KPD039 |
| | 4 | | | | 58 | | TOP. / CHOC | 9DCN121113 | 5KPD016+5KPD039 |

| # | 1 | 2 | 3 | 4 | 5 | 6 | 7 | INGREDIENT | ORD# CAN. | ORD# OUTLET |
|---|---|----|----|----|----|----|---|------------|------------|-----------------|
| 19235 ₂₀₂₁₋₄₅₆ | 1 | BC | | | | | | BEANS1 | 9DCN088* | 6DUL011*** |
|  | 2 | | BC | | | | | BEANS2 | 9DCN088* | 6DUL011*** |
| | 3 | | | 58 | ** | | | CHOC | 9DCN121113 | 6DUL009 |
| | 3 | | | 88 | ** | | | CHOC | 9DCN321113 | 6DUL009 |
| | 4 | | | | 58 | | | TOPPING | 9DCN121113 | 5KPD042+5KPD039 |
| | 5 | | | | | 58 | | SUGAR | 9DCN101113 | 5KPD016+5KPD039 |

9xea-2-3
 *) 9DCN088 also available with lock: 9DCN090 or with extension: 9DCN089 or extension with lock: 9DCN091
 **) 19224/19235 models: s/n>2021.35.XXXX.001 with D-grinders -> 3rd canister 88mm instead of 58mm.
 ***) When the D-grinder is installed use the 5KBN028 (outlet) and the 5KBN029 (cap)

9XEA **VISIBLE BEAN CANISTER AND TEA BREWER**





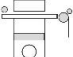


| # | 1 | 2 | 3 | 4 | 6 | 7 | INGREDIENT | ORD# CAN. | ORD# OUTLET |
|--------------|-------------|---|----|----|-----|----|------------|------------|-----------------|
| 19645 | 1121 - 2456 | 1 | BC | | | | BEANS | 9DCN088* | 6DUL011*** |
| | | 2 | | 58 | | | TEA | 9DCN101111 | 6DUL006 |
| | | 3 | | | 118 | | CHOC | 9DCN521113 | 6DUL009 |
| | | 4 | | | 58 | | TOPPING | 9DCN121113 | 5KPD042+5KPD039 |
| | | 5 | | | | 58 | SUGAR | 9DCN101113 | 5KPD016+5KPD039 |










| # | 1 | 2 | 3 | 4 | 6 | 7 | INGREDIENT | ORD# CAN. | ORD# OUTLET |
|--------------|------------|----|----|----|----|----|-------------|------------|-----------------|
| 19646 | 2121 23456 | 1 | BC | | | | BEANS | 9DCN088* | 6DUL011*** |
| | | 2 | | 58 | | | DECAF /COFF | 9DCN121113 | 6DUL012 |
| | | 3 | | | 58 | | TEA | 9DCN101111 | 5KPD041+5KPD039 |
| | | 4 | | | 58 | | CHOC | 9DCN121113 | 6DUL009 |
| | | 5 | | | | 58 | TOPPING | 9DCN121113 | 5KPD042+5KPD039 |
| | | 6A | | | | | SUGAR | 9DCN101113 | 5KPD016+5KPD039 |
| | | 6B | | | | 58 | I-COFFEE | 9DCN101111 | 5KPD016+5KPD039 |
| | | 6C | | | | | SOUP | 9DCN121113 | 5KPD016+5KPD039 |




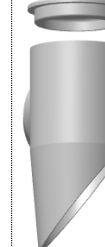





9xea-3-3

*) 9DCN088 also available with lock: 9DCN090 or with extension: 9DCN089 or extension with lock: 9DCN091
 ***) When the D-grinder is installed use the 5KBN028 (outlet) and the 5KBN029 (cap)

| LEGEND | | | | | | | | | | | |
|-------------------------|---|---|---|---|---|---|---|---|------------------------------|--------------------------------|--|
| | # | 1 | 2 | 3 | 4 | 6 | 7 | 8 | INGR. | ORD# CAN. | ORD# OUTLET |
| CANISTERS CONFIGURATION | POSITION AND WIDTH OF CANISTER IN MACHINE | | | | | | | | INGREDIENT FOR THIS CANISTER | ORDER NUMBER FOR THIS CANISTER | ORDER NUMBER FOR OUTLETS BASED ON POSITION OF CANISTER |

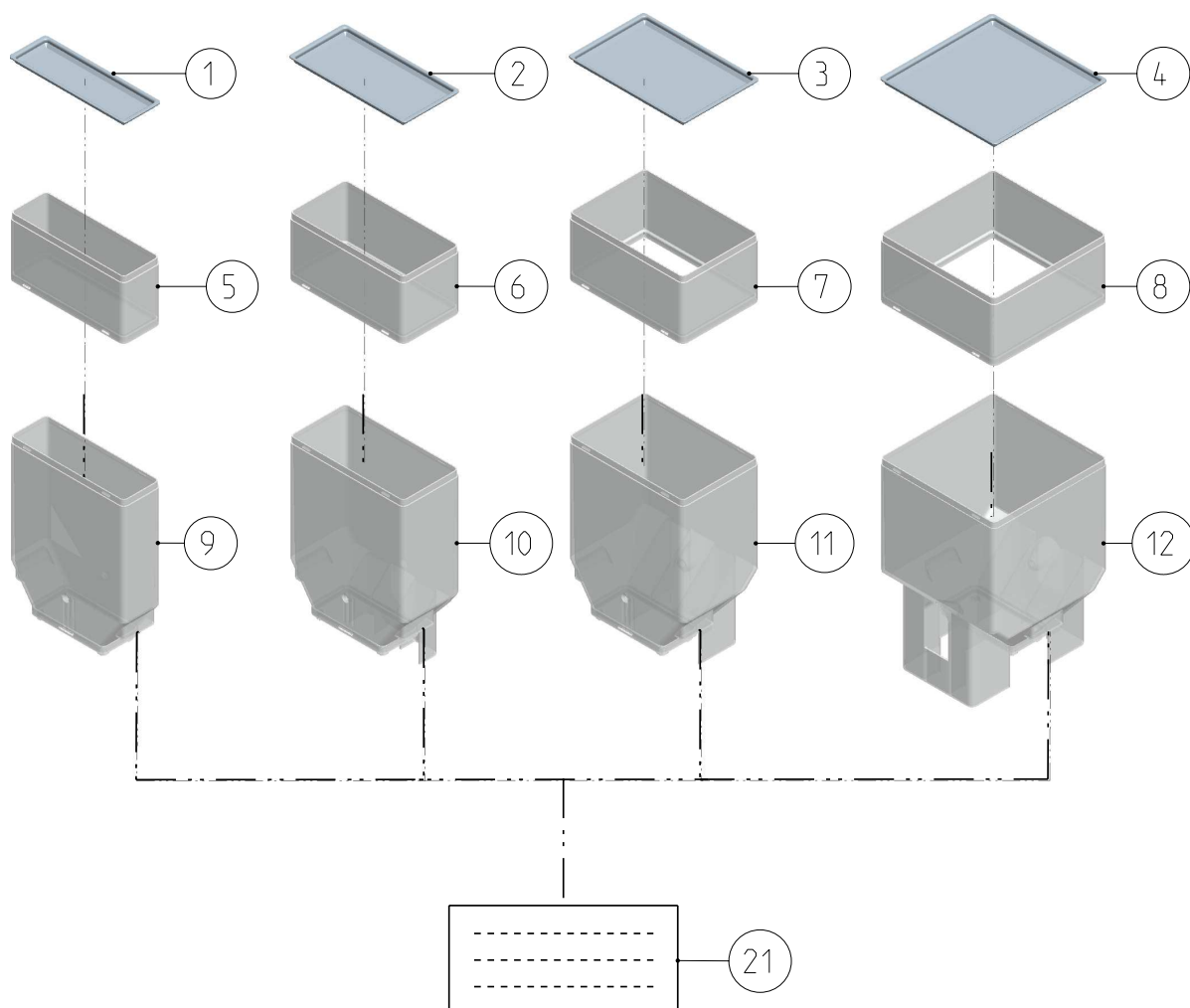
| SYMBOLS | | INGREDIENTS | |
|---|--------------------|---|--|
|  | BD = BEANS IN DOOR |  | COEX BREWER |
|  | BC = BEAN CANISTER |  | COEX XL BREWER |
| | |  | UNI-BREWER |
| | |  | TEA BREWER |
| | |  | MIXER |
| | | | BEANS = WHOLE BEANS |
| | | | COFFEE = GROUND COFFEE |
| | | | CHOC = CHOCOLATE |
| | | | TOP. = TOPPING |
| | | | DECAF = DECAFFEINATED COFFEE |
| | | | I-DECAF = INSTANT DECAFFEINATED COFFEE |
| | | | I-COFFEE = INSTANT COFFEE |
| | | | I-TEA = INSTANT TEA |
| | | | M-TOPPING = MILK TOPPING |
| | | | TEA = LEAF TEA |

| 6DUL006 L=101 | 6DUL008 L=101 | 6DUL009 L=87 | 6DUL011 L=134 | 6DUL012 L=80 | 6DUL014 L=105 | 6DUL016 L=70 | 6DUL017 L=110 | 5KBN028 * L=128 |
|---|---|---|---|---|--|---|---|---|
|  |  |  |  |  |  |  |  |  D-grinder only |

| 6DUL020 L=122 | 6DUL023 L=137 | 6DUL024 L=123 | 6DUL026 L=74 | 5KPD016 * L=63 | 5KPD017 * L=143 | 5KPD041 * L=63 | 5KPD042 * L=63 | 5KPD005 * L=n/a |
|---|---|---|---|---|--|---|---|---|
|  |  |  |  |  |  |  |  |  |

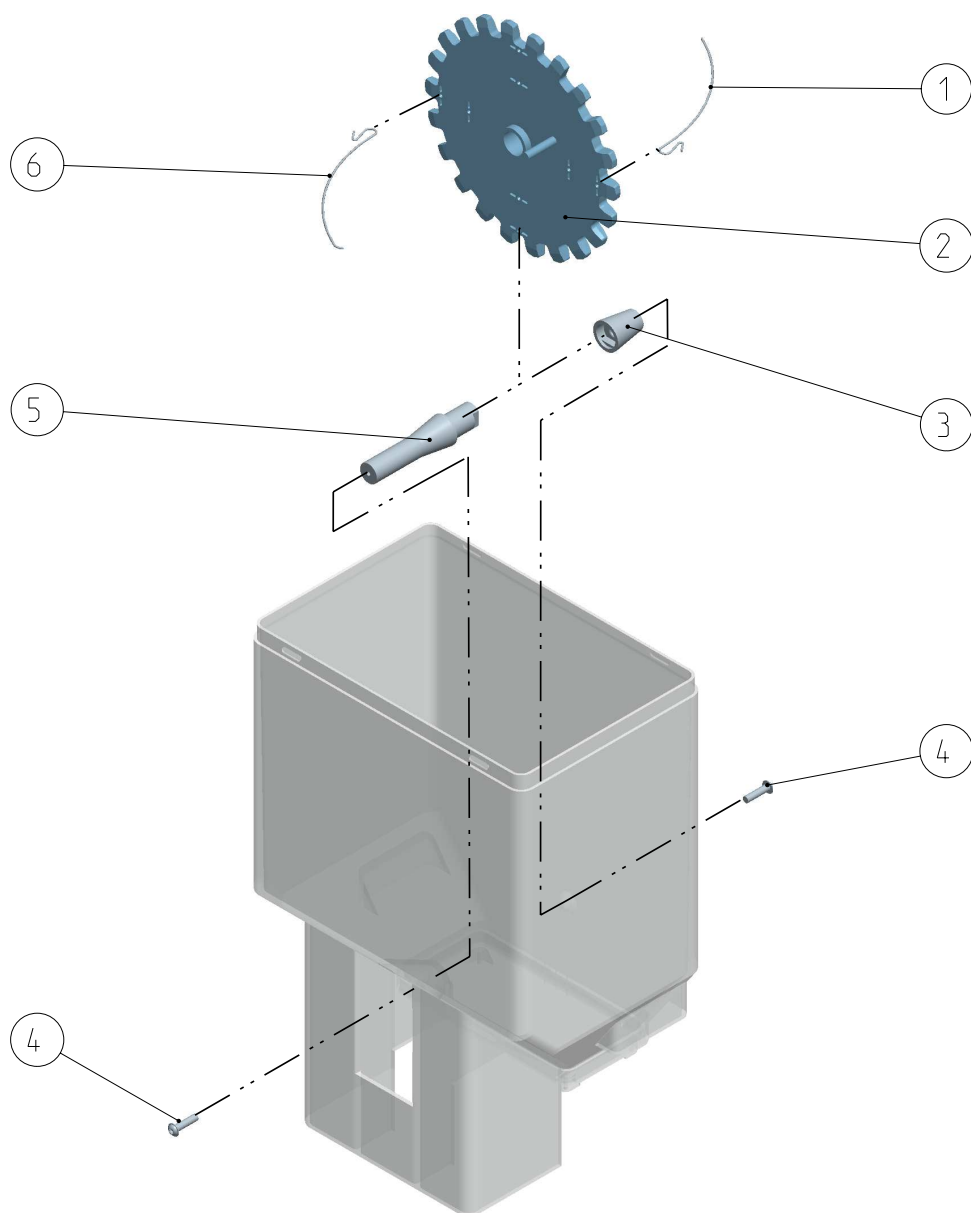
***) IMPORTANT:** Outlets 6DUL* are delivered including the cap. But when ordering canister outlets 5KPD* do not forget to order cap 5KPD039 and when ordering canister outlet 5KBN028 do not forget to order cap 5KBN029.

PAGE INTENTIONALLY LEFT BLANK



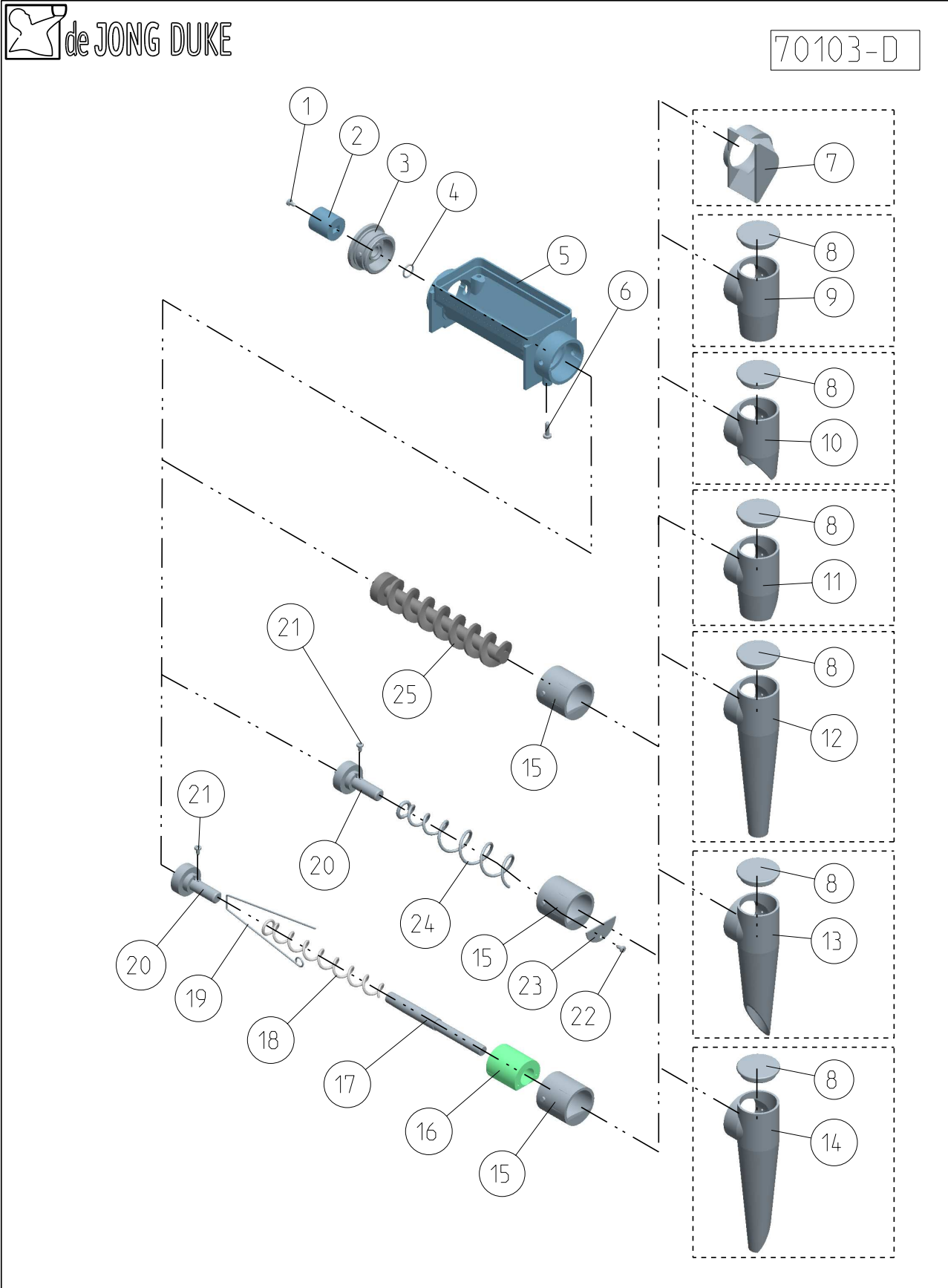
| Drawing | Pos | S | Part Nr | Qty | Spare Part Description |
|----------------|------------|----------|----------------|------------|---------------------------------|
| 70101-C | 01 | | 5KPD028 | | Lid B=58mm / 2 1/4" |
| 70101-C | 02 | | 5KPD029 | | Lid B=88mm / 3 1/2" |
| 70101-C | 03 | | 5KPD030 | | Lid B=118mm / 4 5/8" |
| 70101-C | 04 | | 5KPD031 | | Lid B=174mm / 6 7/8" |
| 70101-C | 05 | | 5KPD024 | | Extension piece B=58mm |
| 70101-C | 06 | | 5KPD025 | | Extension piece B=88mm / 3 1/2" |
| 70101-C | 07 | | 5KPD026 | | Extension piece B=118mm |
| 70101-C | 08 | | 5KPD027 | | Extension piece B=174mm |
| 70101-C | 09 | | 5KPD019 | | Canister body B=58mm / 2 1/4" |
| 70101-C | 10 | | 5KPD020 | | Canister body B=88mm / 3 1/2" |
| 70101-C | 11 | | 5KPD021 | | Canister body B=118mm / 4 5/8" |
| 70101-C | 12 | | 5KPD022 | | Canister body B=174mm / 6 7/8" |
| 70101-C | 21 | | TP342 | | Sticker Coffee 1 |
| 70101-C | 21 | | 5TAG074 | | Sticker Coffee 2 |
| 70101-C | 21 | | 5TAG071 | | Sticker Instant Coffee |
| 70101-C | 21 | | TP344 | | Sticker Decaf |
| 70101-C | 21 | | TP347 | | Sticker Milk |
| 70101-C | 21 | | 5TAG026 | | Sticker Topping |
| 70101-C | 21 | | TP349 | | Sticker Cappuccino |
| 70101-C | 21 | | TP348 | | Sticker Sugar |
| 70101-C | 21 | | 5TAG072 | | Sticker French Vanille |
| 70101-C | 21 | | TP346 | | Sticker Tea |
| 70101-C | 21 | | TP343 | | Sticker Chocolate |
| 70101-C | 21 | | TP345 | | Sticker Soup 1 |
| 70101-C | 21 | | 5TAG075 | | Sticker Soup 2 |
| 70101-C | 21 | SW | 5TAG068 | | All the stickers |

- Part numbers marked with "SE" are Service parts Engineer stock
- Part numbers marked with "SW" are Service parts Warehouse stock
- Part numbers marked with "n/a" are Not Available as spare part
- De Jong Duke recommends to have service parts available on local (SW) or car stock.(SE)



| Drawing | Pos | S | Part Nr | Qty | Spare Part Description |
|-----------------------|------------|----------|----------------|------------|---|
| 70102-B | | SW | 9DCN085 | 1 | Agitator set for canister 60,90,120 and 180mm with items 1, 2, 6 (4x 5MPD064 , 2x 5MPD065) |
| Canister 60mm | | | | | |
| 70102-B | 01 | | 5MPD065 | 1 | Spring container wheel short D=1 mm |
| 70102-B | 02 | | 5KPD056 | 1 | Agitator wheel |
| 70102-B | 03 | | 5KPD048 | 1 | Axis for auger wheel short |
| 70102-B | 04 | | 4BSC013 | 2 | Retaining screw 3.5x25 |
| 70102-B | 05 | | 5KPD049 | 1 | Axis for auger wheel long |
| 70102-B | 06 | | 5MPD065 | 1 | Spring container wheel short D=1 mm |
| Canister 90mm | | | | | |
| 70102-B | 01 | | 5MPD065 | 1 | Spring container wheel short D=1 mm |
| 70102-B | 02 | | 5KPD056 | 1 | Agitator wheel |
| 70102-B | 03 | | 5KPD048 | 1 | Axis for auger wheel short |
| 70102-B | 04 | | 4BSC013 | 2 | Retaining screw 3.5x25 |
| 70102-B | 05 | | 5KPD050 | 1 | Axis for auger wheel long |
| 70102-B | 06 | | 5MPD064 | 2 | Spring container wheel long D=1 mm |
| Canister 120mm | | | | | |
| 70102-B | 01 | | 5MPD065 | 1 | Spring container wheel short D=1 mm |
| 70102-B | 02 | | 5KPD056 | 1 | Agitator wheel |
| 70102-B | 03 | | 5KPD048 | 1 | Axis for auger wheel short |
| 70102-B | 04 | | 4BSC013 | 2 | Retaining screw 3.5x25 |
| 70102-B | 05 | | 5KPD050 | 1 | Axis for auger wheel long |
| 70102-B | 06 | | 5MPD064 | 2 | Spring container wheel long D=1 mm |
| Canister 180mm | | | | | |
| 70102-B | 01 | | 5MPD064 | 2 | Spring container wheel long D=1 mm |
| 70102-B | 02 | | 5KPD056 | 1 | Agitator wheel |
| 70102-B | 03 | | 5KPD047 | 1 | Axis for auger wheel short |
| 70102-B | 04 | | 4BSC013 | 1 | Retaining screw 3.5x25 |
| 70102-B | 04 | | 4BSC031 | 1 | Retaining screw 4x60 |
| 70102-B | 05 | | 5KPD050 | 1 | Axis for auger wheel long |
| 70102-B | 06 | | 5MPD064 | 2 | Spring container wheel long D=1 mm |

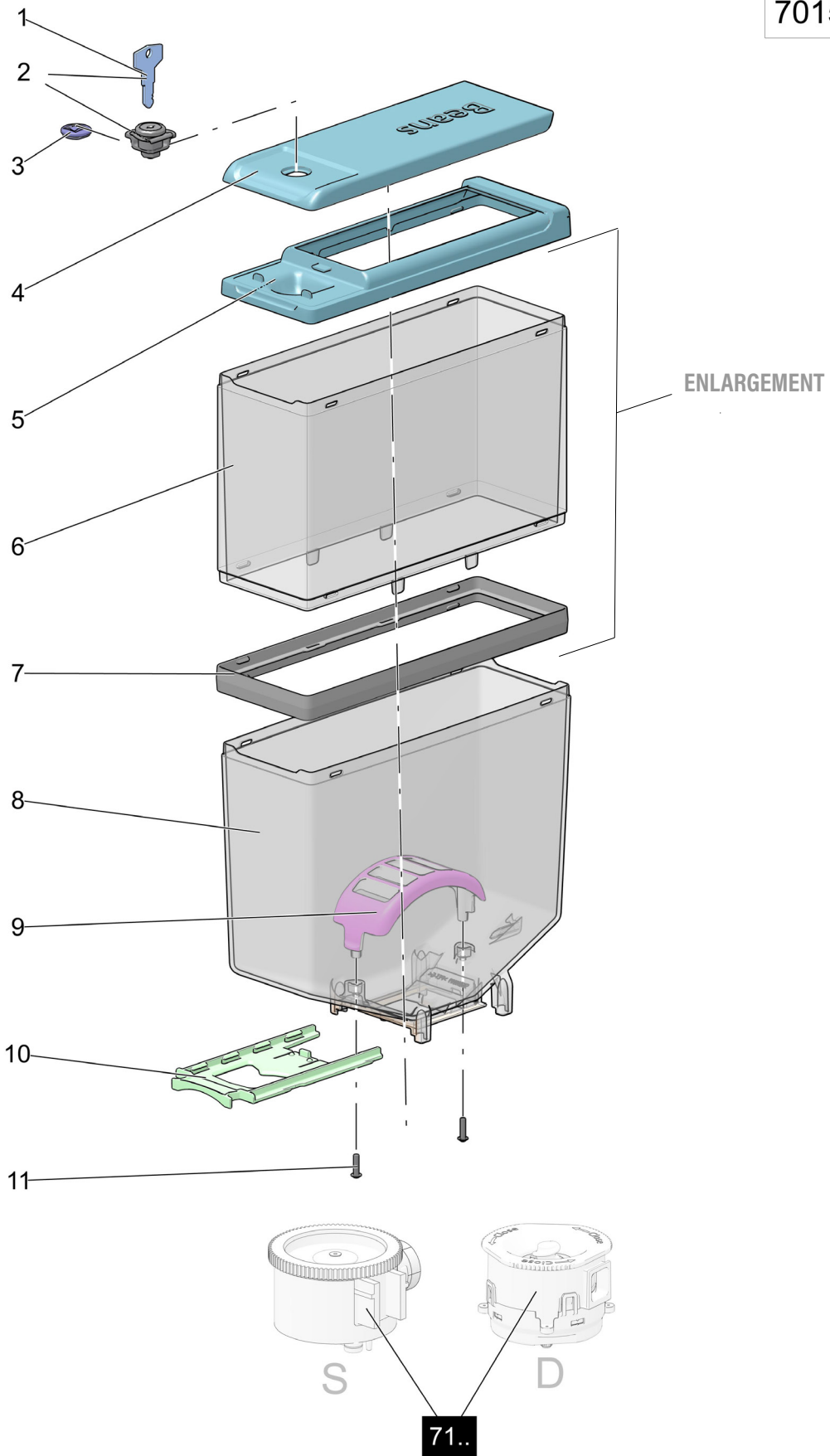
- Part numbers marked with "SE" are Service parts Engineer stock
- Part numbers marked with "SW" are Service parts Warehouse stock
- Part numbers marked with "n/a" are Not Available as spare part
- De Jong Duke recommends to have service parts available on local (SW) or car (SE) stock.



| Drawing | Pos | S | Part Nr | Qty | Spare Part Description |
|----------------|------------|----------|----------------|------------|---|
| 70103-D | 01 | | 4BSC019 | | Screw 2.9x6.5 |
| 70103-D | 02 | | 5KPD009 | | Driver canister (female) |
| 70103-D | 03 | | 5KLG002 | | Canister Bearing |
| 70103-D | 04 | | 4ROR007 | | O-Ring 9.5x1.4 |
| 70103-D | 05 | | 5KPD055 | | Canister base |
| 70103-D | 06 | | 4BSC003 | | Screw 9,5x13 <i>Not used anymore</i> |
| 70103-D | 07 | | 5KPD005 | | Outlet canister nozzle side outlet |
| 70103-D | 08 | | 5KPD039 | | Outlet canister nozzle cap |
| 70103-D | 09 | | 5KPD016 | | Outlet canister nozzle short |
| 70103-D | 10 | | 5KPD042 | | Outlet canister nozzle short right |
| 70103-D | 10 | | 6DUL016 | | Outlet canister nozzle short right |
| 70103-D | 11 | | 5KPD041 | | Outlet canister nozzle short left |
| 70103-D | 12 | | 5KPD017 | | Outlet canister nozzle long |
| 70103-D | 12 | | 6DUL011 | | Outlet grinder 9CND,9CEC |
| 70103-D | 12 | | 6DUL026 | | Outlet canister 9CND |
| 70103-D | 12 | | 6DUL012 | | Outlet canister pipe 9CND-K2/ 9CEC-K1/2 |
| 70103-D | 12 | | 6DUL020 | | Outlet grinder pipe left 9FND |
| 70103-D | 12 | | 6DUL024 | | Outlet grinder door virtu 80 127mm |
| 70103-D | 13 | | 6DUL008 | | Dispensing nozzle long, mixer right 9FEC,9IEA |
| 70103-D | 14 | | 6DUL009 | | Outlet canister for mixer left 9FND,9CEC |
| 70103-D | 14 | | 6DUL006 | | Outlet canister (long) side outlet <i>left mixer 9FEC, tea 9CEC</i> |
| 70103-D | 15 | | 5KPD044 | | Hopper outlet tube Short |
| 70103-D | 16 | | 5KPD038 | | Insert for outlet |
| 70103-D | 17 | | 5MPD067 | | Axis stainless steel for instant Tea <i>Not used anymore</i> |
| 70103-D | 18 | | 5MPD086 | | Metal auger Short Ø12mm for instant Tea |
| 70103-D | 18 | | 5MPD045 | | Metal auger Short Ø14.5mm for instant Coffee / Milk / Tea |
| 70103-D | 19 | | 5MPD048 | | Metal spring auger Short for instant Milk |
| 70103-D | 20 | | 5KPD036 | | Metal auger drive |
| 70103-D | 21 | | 4BSC001 | | Sheet metal screw 2.9x6.5 |
| 70103-D | 22 | | 4BSC001 | | Sheet metal screw 2.9x6.5 |
| 70103-D | 23 | | 5MPD099 | | Shield plate for powder Topping / Choco |
| 70103-D | 24 | | 5MPD100 | | Metal auger Ø23mm for powder Topping / Choco |
| 70103-D | 25 | | 5KPD010 | | Auger Plastic Short Ø23mm for powder Topping / Choco / Sugar / Soup / Milk) |

- Part numbers marked with "SE" are Service parts Engineer stock
- Part numbers marked with "SW" are Service parts Warehouse stock
- Part numbers marked with "n/a" are Not Available as spare part
- De Jong Duke recommends to have service parts available on local (SW) or car (SE) stock.

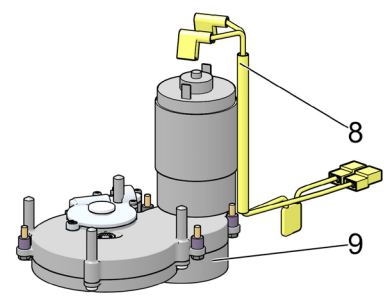
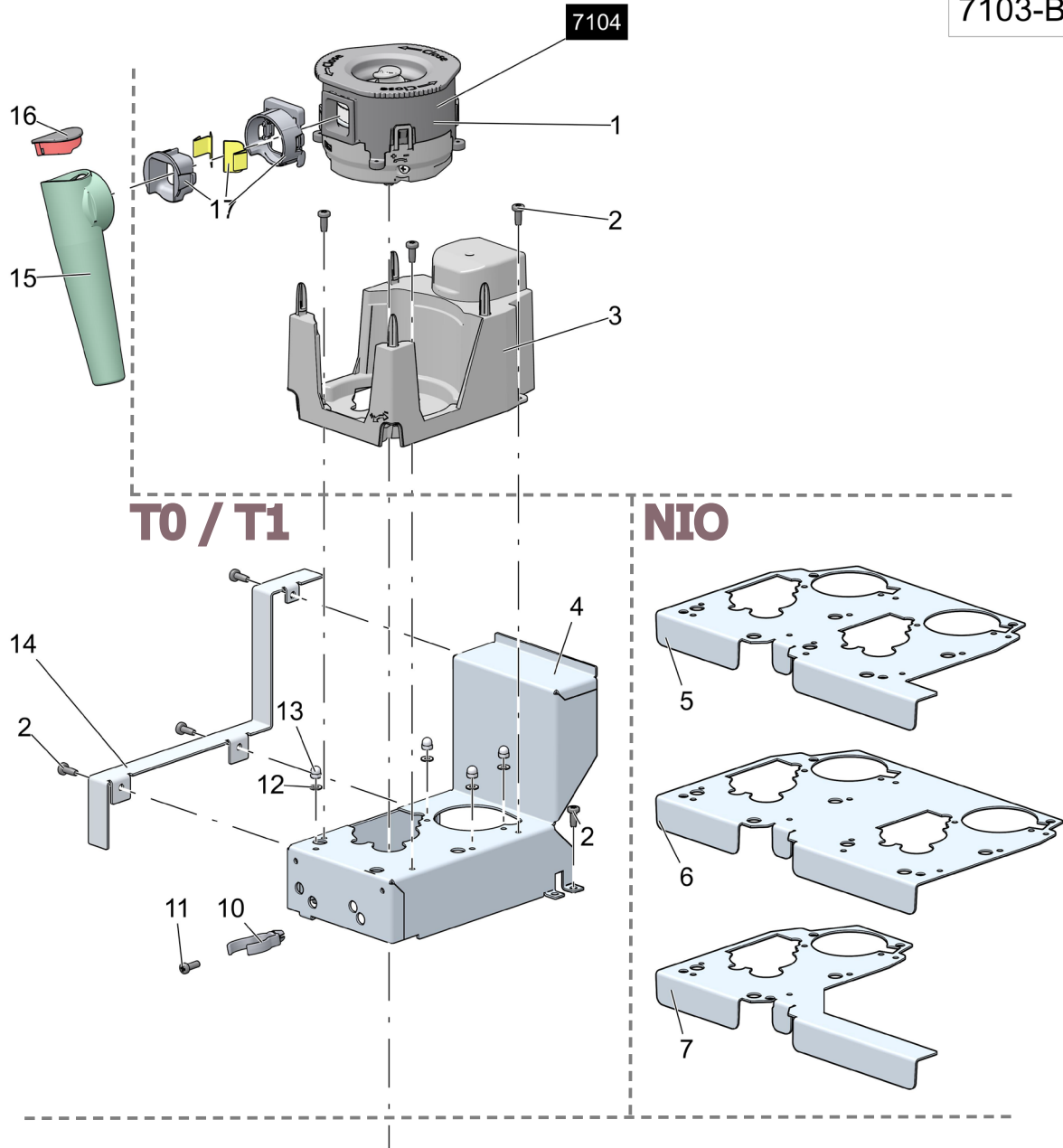
7015-B



| <i>Drawing</i> | <i>Pos</i> | <i>S</i> | <i>Part Nr</i> | <i>Qty</i> | <i>Spare Part Description</i> |
|----------------|------------|----------|----------------|------------|---|
| | | | | | REFERENCES |
| 71.. | | | | | Refer to drawing : - 7102 S-Grinder - 7103 D-Grinder |
| | | | | | SETS |
| 7015-B | | SW | 9DCN088 | 1 | Complete canister <i>with items 3, 4, 5, 8, 9, 10, 11</i> |
| 7015-B | | SW | 9DCN090 | 1 | Complete canister with lock <i>with items 1, 2, 4, 5, 8, 9, 10, 11</i> |
| 7015-B | | SW | 9DCN089 | 1 | Complete canister with enlargement <i>with items 3, 4, 5, 6, 7, 8, 9, 10, 11</i> |
| 7015-B | | SW | 9DCN091 | 1 | Complete canister with enlargement and lock <i>with items 1, 2, 4, 5, 6, 7, 8, 9, 10, 11</i> |
| | | | 9DCN092 | 1 | Enlargement + fitting <i>with items 6 and 7</i> |
| | | | | | PARTS |
| 7015-B | 01 | SW | 4MHS031 | | Key for lock 4MHS030 |
| 7015-B | 02 | SW | 4MHS030 | 1 | Lock with key |
| 7015-B | 03 | | 5RDK004 | 1 | Stop for lid |
| 7015-B | 04 | | 5KBN011 | 1 | Lid |
| 7015-B | 05 | | 5KBN010 | 1 | Lid base |
| 7015-B | 06 | | 5KBN013 | 1 | Enlargement |
| 7015-B | 07 | | 5KBN012 | 1 | Enlargement fitting |
| 7015-B | 08 | | 5KBN009 | 1 | Canister base |
| 7015-B | 10 | | 5KBN002 | 1 | Canister locking slider |
| 7015-B | 09 | | 5KBN034 | 1 | Grinder shielding <i>Note: part will only fit in canisters in machines, produced from s/n:2020.42.5969.001</i> |
| 7015-B | 11 | | 4BSC036 | 2 | Screw torx 3.5x13.5 |
| | | | HISTORY | | |
| 7015-B | 08 | | 5KBN009 | 1 | Canister base <i>Replaced by 5KBN009 Canister base with grinder shielding from s/n: 2020.42.5969.001</i> |

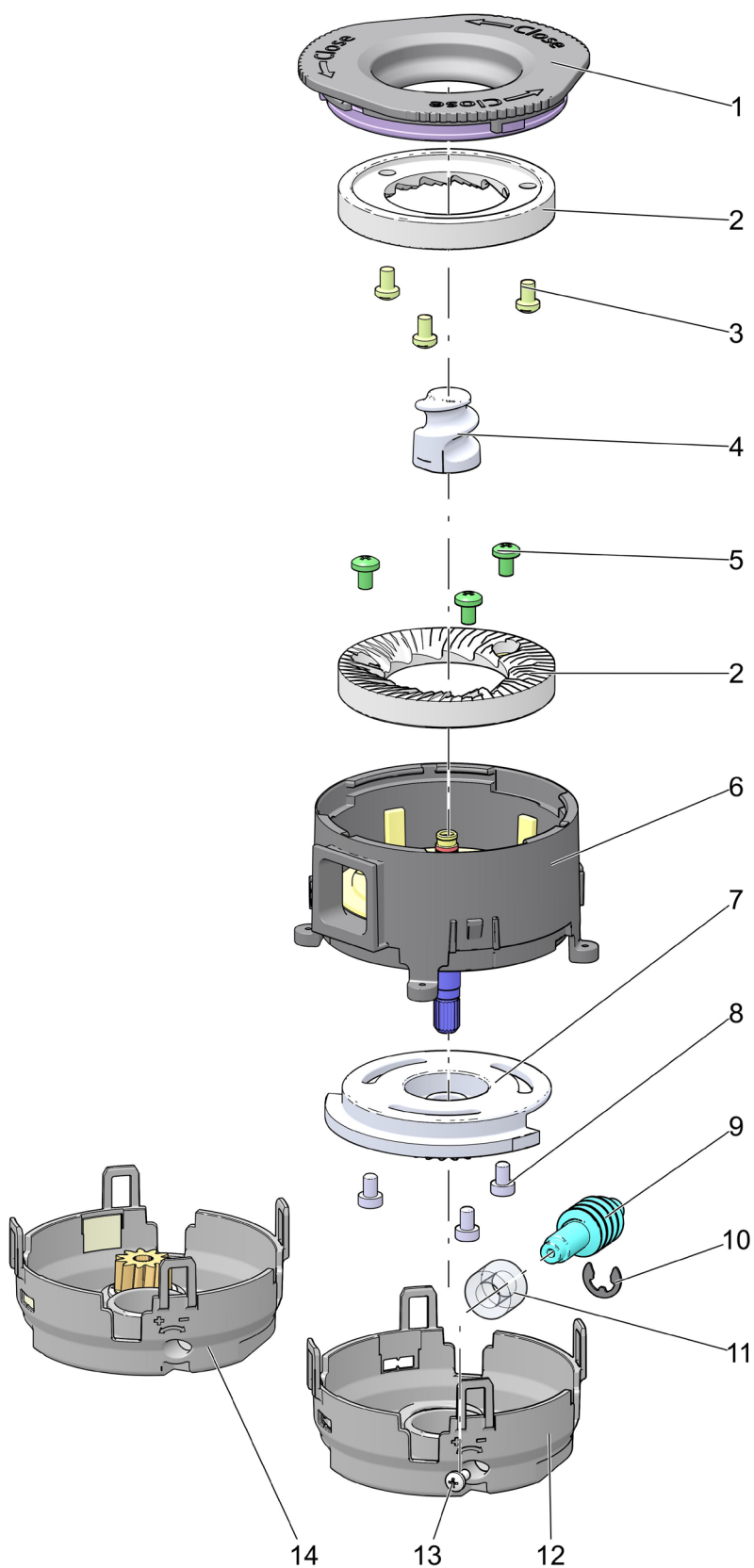
- Part numbers marked with "SE" are Service parts Engineer stock
- Part numbers marked with "SW" are Service parts Warehouse stock
- Part numbers marked with "n/a" are Not Available as spare part
- De Jong Duke recommends to have service parts available on local (SW) or car stock (SE).

7103-B



| Drawing | Pos | S | Part Nr | Qty | Spare Part Description |
|----------------|------------|----------|----------------|------------|--|
| | | | | | REFERENCES |
| 7104 | | | | | Refer to drawing: 7104 D-grinder |
| | | | | | SETS |
| 7103-B | | SW | 9GES120 | | Set of 2 D-Grinder discs <i>no screws included</i> |
| 7103-B | | | 6KGR007 | | D-Grinder with motor - manual adjustment <i>with item 01 and 09</i> |
| 7103-B | | | 9GES121 | | D-Grinder complete with motor and frame - manual adjustment <i>with items 01 - 04, 08 - 17 except item 14</i> |
| | | | | | PARTS |
| 7103-B | 01 | | 9GES038 | 1 | D-Grinder only - manual adjustment <i>with item 14</i> |
| 7103-B | 02 | | 4BSC022 | 7 | Screw 3,5x9,5 |
| 7103-B | 03 | | 5KBN027 | 1 | D-Grinder base |
| 7103-B | 04 | | 5MBN006 | 1 | D-Grinder frame <i>(T0 and T1 models only)</i> |
| 7103-B | 05 | | 5MBN013 | 1 | D-Grinder mounting bracket Nio double bean canister |
| 7103-B | 06 | | 5MBN012 | 1 | D-Grinder mounting bracket Nio 2 bean canister |
| 7103-B | 07 | | 5MBN011 | 1 | D-Grinder mounting bracket Nio 1 bean canister |
| 7103-B | 08 | | 6CKB533 | 1 | D-Grinder cable |
| 7103-B | 09 | | n/a | 1 | D-Grinder motor and gear box <i>only available as set, see above</i> |
| 7103-B | 10 | | 5KBN041 | 1 | Outlet guide <i>(T0 and T1 models only)</i> |
| 7103-B | 11 | | 4BSC055 | 1 | Screw 3.5x10 (stainless steel) |
| 7103-B | 12 | | 4BPR004 | 3 | Washer M3 <i>only used in production with item 13 - 4BMZ051</i> |
| 7103-B | 13 | | 4BMZ051 | 3 | Acorn nut M3 |
| 7103-B | 13 | | 5BMZ002 | 3 | Acorn nut M3 - long tread |
| 7103-B | 14 | | 5MBN007 | 1 | D-Grinder filler plate |
| 7103-B | 15 | | 5KBN028 | 1 | Outlet |
| 7103-B | 16 | | 5KBN029 | 1 | Outlet cap |
| 7103-B | 17 | | 9DCN097 | 1 | D-Grinder outlet adapter set complete |

7104-B

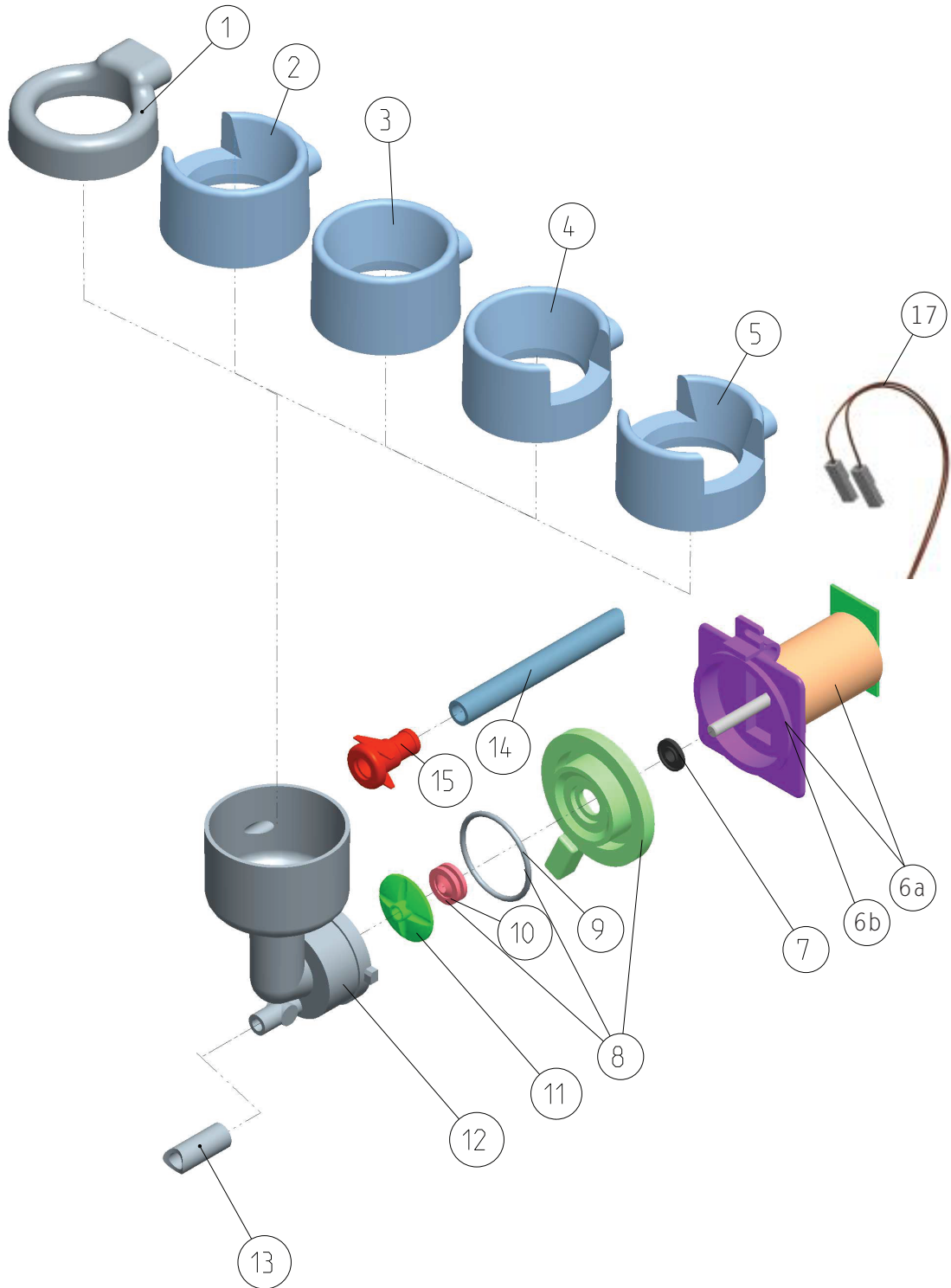


| <i>Drawing</i> | <i>Pos</i> | <i>S</i> | <i>Part Nr</i> | <i>Qty</i> | <i>Spare Part Description</i> |
|----------------|------------|----------|----------------|------------|--|
| | | | | | SETS |
| 7104-B | | SW | 6KGR007 | | D-Grinder with motor, no frame, manual adjustment version <i>(see drawing 7103)</i> |
| 7104-B | | SW | 9GES038 | | D-Grinder only - manual adjustment version <i>with items 1-12</i> |
| 7104-B | | SW | 9GES120 | | Set of 2 grinder discs <i>no screws included</i> |
| | | | | | PARTS |
| 7104-B | 01 | | n/a | 1 | Grinder Bayonet cover |
| 7104-B | 02 | | n/a | 2 | D-grinder disc - see set above |
| 7104-B | 03 | | n/a | 3 | Screws upper disc |
| 7104-B | 04 | | n/a | 1 | Auger |
| 7104-B | 05 | | n/a | 3 | Screws lower disc |
| 7104-B | 06 | | n/a | 1 | Grinder house |
| 7104-B | 07 | | n/a | 1 | Grinder adjustment wheel |
| 7104-B | 08 | | n/a | 3 | Screws adjustment wheel |
| 7104-B | 09 | | n/a | 1 | Adjustment wheel worm |
| 7104-B | 10 | | n/a | 1 | Circlip ring |
| 7104-B | 11 | | 6XSL001 | 1 | Adjustment wheel worm sleeve <i>(4XSL054 L=11mm)</i> |
| 7104-B | 12 | | n/a | 1 | Grinder Adjustment cover - manual version |
| 7104-B | 13 | | n/a | 1 | Grinding degree adjustment screw |
| 7104-B | 14 | | n/a | 1 | Grinder Adjustment cover - electric version |
| HISTORY | | | | | |

- Part numbers marked with "SE" are Service parts Engineer stock
- Part numbers marked with "SW" are Service parts Warehouse stock
- Part numbers marked with "n/a" are Not Available as spare part
- De Jong Duke recommends to have service parts available locally (SW) or as car stock (SE).

 de JONG DUKE

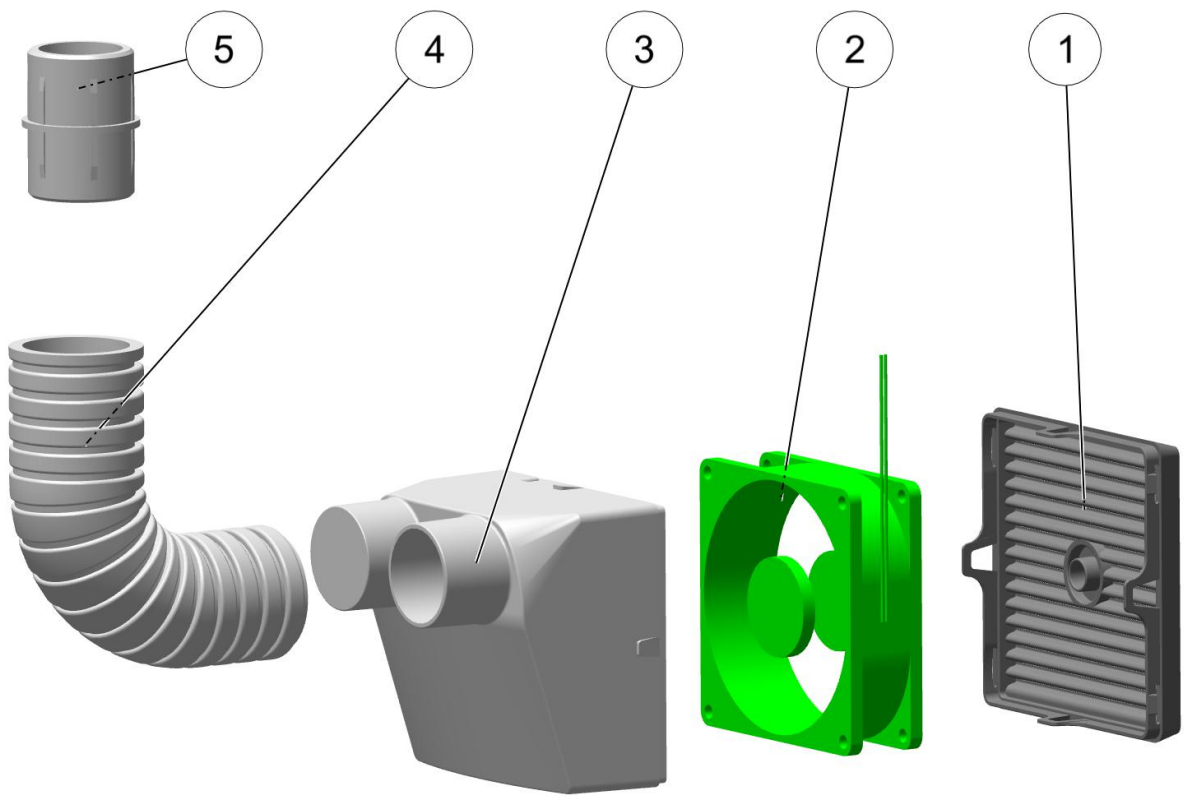
7503-D



| Drawing | Pos | S | Part Nr | Qty | Spare Part Description |
|----------------|------------|----------|----------------|------------|--|
| 7503-D | 01 | SW | 4KMX028 | 1 | Mixer suction trap - steam ring (low model) |
| 7503-D | 02 | SW | 4KMX017 | 1 | Mixer suction trap - vapour (left-side open) |
| 7503-D | 03 | SW | 4KMX015 | 4 | Mixer suction trap - steam |
| 7503-D | 04 | SW | 4KMX016 | 1 | Mixer suction trap - vapour (right-side open) |
| 7503-D | 05 | SW | 4KMX018 | 1 | Mixer suction trap - vapour (left+right side open) |
| 7503-D | 6a | SE | 4EMT024 | 4 | Mixer motor 24v dc <i>including base plate 4KMX030 (pos 06b)</i> |
| 7503-D | 6b | SE | 4KMX030 | 4 | Base plate for Mixer motor |
| 7503-D | 07 | SW | 4KMX006 | 4 | Water blocking ring |
| 7503-D | 08 | SW | 4KMX026 | 4 | Mixer bayonet catch |
| 7503-D | 09 | SE | 4ROR016 | 4 | O-ring mixer plate |
| 7503-D | 10 | SE | 4RVA002 | 4 | Seal whipper base plate |
| 7503-D | 11 | | 4KMX019 | 4 | Mixer propeller (old version) |
| 7503-D | 11 | SW | 4KMX027 | 4 | Mixer propeller (integral) |
| 7503-D | 12 | SW | 4KMX025 | 4 | Mixer house grey |
| 7503-D | 12 | SW | 4KMX031 | 2 | Mixer house black (for mixer at pressure boiler) |
| 7503-D | 13 | SE | 4XSL003 | 1 | Tube 8x12 grey |
| 7503-D | 14 | SE | 4XSL003 | 1 | Tube 8x12 grey (when used with open boiler) |
| 7503-D | 14 | SE | 4XSL001 | 1 | Tube 4x8 grey |
| 7503-D | 15 | SE | 4KDT004 | 4 | Adapter for mixer house (not for 9CND/9XNA) <i>Replaced by 4KDT008 from S/N 2013.42.xxxx.001 for 9CND</i> |
| 7503-D | 15 | SE | 4KDT008 | 4 | Adapter for mixer house (9CND/9XNA only) |
| 7503-D | 16 | | | | n/a |
| 7503-D | 17 | SW | 6CKB310 | 1 | Wire harness with poly switch (safety) |
| 7503-D | 17 | SW | 6CKB208 | 1 | Cable to main wire harness 2 mixers |

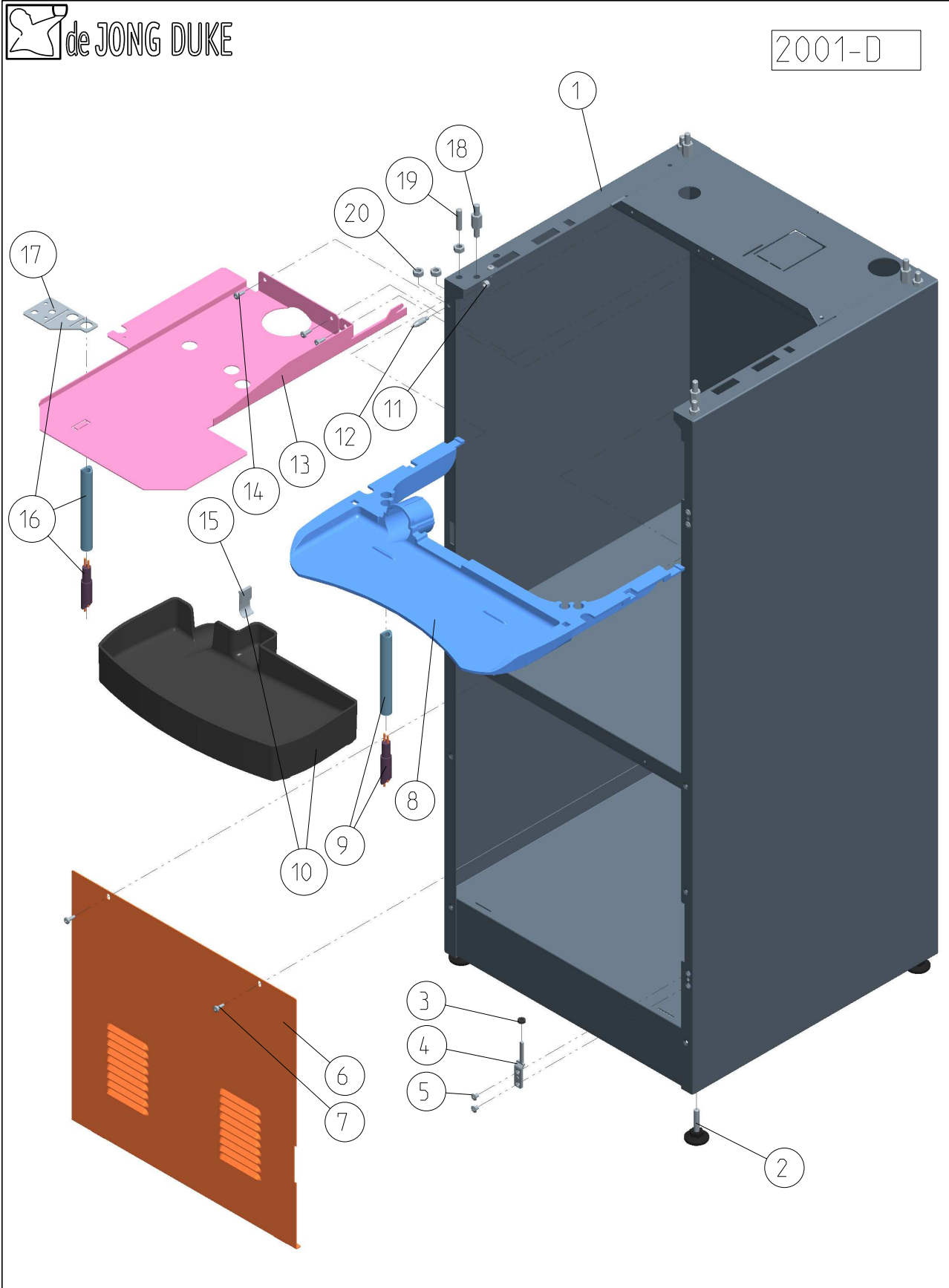
- Part numbers marked with "SE" are Service parts Engineer stock
- Part numbers marked with "SW" are Service parts Warehouse stock
- Part numbers marked with "n/a" are Not Available as spare part
- De Jong Duke recommends to have service parts available on local (SW) or car (SE) stock.

7603-A



| <i>Drawing</i> | <i>Pos</i> | <i>S</i> | <i>Part Nr</i> | <i>Qty</i> | <i>Spare Part Description</i> |
|----------------|------------|----------|----------------|------------|-------------------------------|
| 7603-A | 01 | | 5KAF116 | 1 | Protective Fan Grid |
| 7603-A | 02 | SW | 4EVT004 | 1 | Fan motor 24V |
| 7603-A | 03 | | 5KAF115 | 1 | Fan housing |
| 7603-A | 04 | | 4XSL030 | 1 | Hose black Di=32mm |
| 7603-A | 05 | | 5KPF002 | 1 | Adaptor straight D=32 mm. |

- *Part numbers marked with "SE" are Service parts Engineer stock*
- *Part numbers marked with "SW" are Service parts Warehouse stock*
- *Part numbers marked with "n/a" are Not Available as spare part*
- *De Jong Duke recommends to have service parts directly available on local or car stock.*

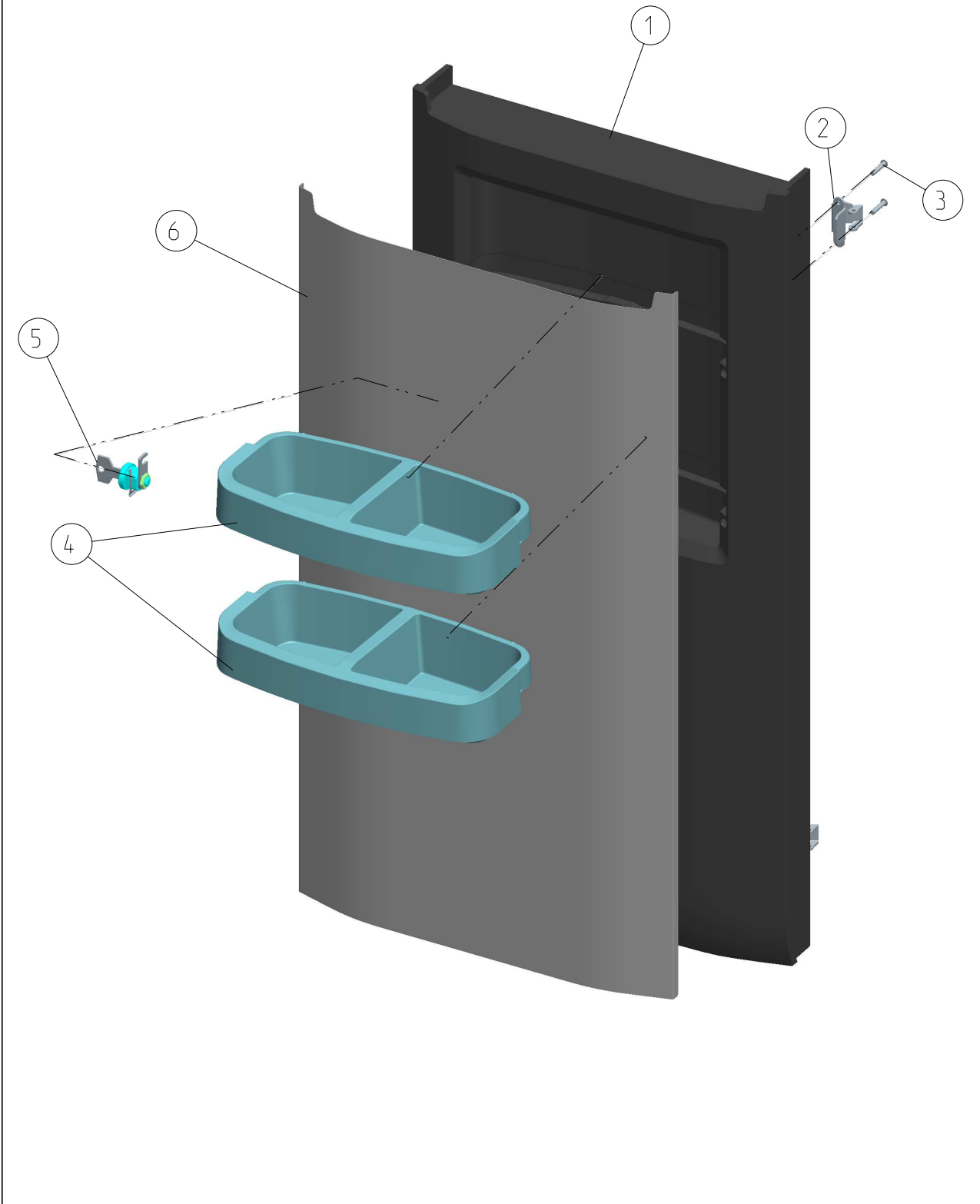


| Drawing | Pos | S | Part Nr | Qty | Spare Part Description |
|----------------|------------|----------|-----------------|------------|---|
| 2001-D | 01 | | 6HKA015-RAL9005 | | Base cabinet medium <i>for all medium models and Nio</i> |
| 2001-D | 02 | | KA23 | | Feet |
| 2001-D | 03 | | 4KAB002 | | Distance holder 4.2x8x3 |
| 2001-D | 04 | | 5MHS015 | | Hinge |
| 2001-D | 05 | | 4BBK011 | | Bolt M4x10 |
| 2001-D | 06 | | 5MPL151-KTL | | Cover cooling unit in base-cabinet medium |
| 2001-D | 07 | | 4BSC022 | | Cutting screw 3.5x9.5 |
| 2001-D | 08 | | 5KAF109 | | Drip tray Base plate medium <i>for Virtu (Varea/V'eco), Zia, Lua</i> |
| 2001-D | 09 | | 6CSS043 | | Drip tray/waste bucket sensor with connector |
| 2001-D | 10 | | 9AOV012 | | Drip tray drain set for base cabinet medium <i>for Virtu (Varea/V'eco), Zia, Lua</i> |
| 2001-D | 10 | | 5KAF108 | | Drip tray Waste Guide medium <i>for Virtu (Varea/V'eco), Zia, Lua</i> |
| 2001-D | 11 | | 4BMZ011 | | Nut Lock M4 |
| 2001-D | 12 | | 5MDF011 | | Door pin |
| 2001-D | 13 | | 5MAF036 | 1 | Base plate drip tray <i>for SiroTouch</i> |
| 2001-D | 14 | | 4BSC022 | 3 | Cutting screw 3.5x9.5 |
| 2001-D | 15 | | 5MVR031 | | Spring clip drip tray |
| 2001-D | 16 | | 6CSS020 | | Water Sensor (Cpl. for Base cabinet) <i>for SiroTouch</i> |
| 2001-D | 17 | | 5MPL088 | | Holder for sensor <i>for SiroTouch</i> |
| 2001-D | 18 | | 5BBZ008 | 4 | Distance holder <i>for 9FEC, 9INA, 9IEA, 9FND (S/N < 2011.12.xxxx.xxx)</i> |
| 2001-D | 19 | | 4BBY022 | 4 | Distance holder screw M6x25 |
| 2001-D | 20 | | 4BMZ007 | 8 | Nut M6 |

- Part numbers marked with "SE" are Service parts Engineer stock
- Part numbers marked with "SW" are Service parts Warehouse stock
- Part numbers marked with "n/a" are Not Available as spare part
- De Jong Duke recommends have service parts available on local stock or car stock.















5007-A



| Drawing | Pos | S | Part Nr | Qty | Spare Part Description |
|----------------|------------|----------|-------------------|------------|--|
| 5007-A | 01 | | 5KDR051 -11194 | | Door for Base Cabinet Medium (Virtu) |
| 5007-A | 01 | | 5KDR051 -S139 | | Door for Base Cabinet Medium (Zia) |
| 5007-A | 02 | | 5MHS012 | | Door hinge |
| 5007-A | 03 | | 4BSC037 | | Screw 4x12 |
| 5007-A | 04 | | 5KDR052 | | Condimental tray base cabinet |
| 5007-A | 05 | | 9HDR078 | | Lock with clip and key <i>note: key NOT identical to 4MHS026 key</i> |
| 5007-A | 05 | | 4MHS042 | | Key for door lock 9HDR078 <i>key# 25401</i> |
| 5007-A | 06 | | 9HDR060 | | Cover plate base medium (Virtu) + adhesive strip |
| 5007-A | 06 | | 9HDR088 | | Cover plate base medium (Zia) + adhesive strip |
| HISTORY | | | | | |
| 5007-A | 05 | | 4MHS026 | | Lock with clip <i>Replaced by 9HDR078 from S/N 2016.06.xxxx.001</i> |




- Part numbers marked with "SE" are Service parts Engineer stock
- Part numbers marked with "SW" are Service parts Warehouse stock
- Part numbers marked with "n/a" are Not Available as spare part
- De Jong Duke recommends to have service parts available on local stock or car stock.

Tool List General


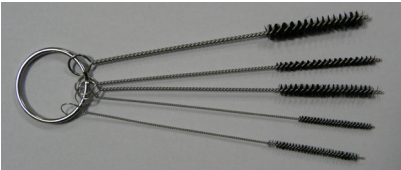



| Picture | Part Nr | Description |
|---|---------|--------------------------------|
|   | n/a | EN Flat screwdriver |
| | | DE Schlitz Schraubendreher |
| | | NL Platte schroevendraaier |
| | | 0.5 / 3.0 / 10 mm |
| | | 0.8 / 4.0 / 20 mm |
|   | n/a | EN Philips screwdriver |
| | | DE Kreuzschlitzschraubendreher |
| | | NL Kruiskop schroevendraaier |
|   | n/a | EN Torx screwdriver |
| | | DE Torx Schraubendreher |
| | | NL Torx schroevendraaier |
| | | Torx 15, 22 mm |
|   | n/a | EN Socket screwdriver |
| | | DE Steck Schlüsseldreher |
| | | NL Dopsleutel |
| | | 07 / 15 mm |
|  | n/a | EN Combination plier |
| | | DE Kombinations-Zange |
| | | NL Combinatietang |
|  | n/a | EN Slip Joint Plier |
| | | DE Wasserpumpen-Zange |
| | | NL Waterpomptang |
|  | n/a | EN Side Cutter |
| | | DE Seiten Schneider |
| | | NL Zijknijptang |
|  | n/a | EN Knife |
| | | DE Stanley Messer |
| | | NL Stanley mes |

| Picture | Part Nr | Description | |
|---|---------|-------------|---|
|  | n/a | EN | Multimeter |
| | | DE | Multimeter |
| | | NL | Multimeter |
|  | 4HLP148 | EN | Tube cutter |
| | | DE | Schlauch abschneider |
| | | NL | Slangknipper voor drukslang |
|  | 4HLP142 | EN | Extraction tool <i>Mini Fit JR, 011030044</i> |
| | | DE | Demontage Werkzeug <i>Mini Fit JR, 011030044</i> |
| | | NL | Extraction tool <i>Mini Fit JR, 011030044</i> |
|  | n/a | EN | Unlocking tool <i>John Guest ICLT/2</i> |
| | | DE | Spann- und Lösehilfe <i>John Guest ICLT/2</i> |
| | | NL | Slang-ontkoppel-set <i>John Guest ICLT/2</i> |
|  | n/a | EN | Electrostatic discharge (ESD) wrist strap |
| | | DE | Electrostatische Entladungen (ESD) Handgelenkband |
| | | NL | Elektrostatische ontlading (ESD) polsband |

Tool List for machines with UNI-brewer

| Picture | Part Nr | Description | |
|---|---------|-------------|--|
|  | n/a | EN | Spanner Wrench |
| | | DE | Ring-Maulschlüssel |
| | | NL | Steeksleutel |
| | | | 7 mm / 13 mm / 15 mm |
|  | n/a | EN | Punch |
| | | DE | Splinttreiber |
| | | NL | Drevel |
| | | | 3 mm 5 mm |
|  | n/a | EN | Torgue wrench / screwdriver 1,8N/m |
| | | DE | Torgue Schraubenschlüssel / Schraubendreher 1,8 N/m |
| | | NL | Moment sleutel / schroevendraaier 1,8 N/m |

Tool List for machines with CoEx (XL) brewers

| Picture | Part Nr | Description | |
|---|--------------------|-------------|---|
|  | 4HLP132 | EN | Filter head cleaner |
| | | DE | Filter Kopf Putzer |
| | | NL | Filterkop reiniger |
|  | 4HLP143 | EN | CoEx outlet cleaner brush |
| | | DE | CoEx Ausgabe Reinigungsbürste |
| | | NL | CoEx uitgifte reinigingsborstel |
|  | 4HLP157 | EN | Spanner wrench 14mm <i>Modified for sensor cable</i> |
| | | DE | Schlüssel 14mm <i>Für Sensorkabel modifiziert</i> |
| | | NL | Ringsleutel 14mm <i>Aangepast voor sensor kabel</i> |
|  | n/a | EN | Allen Wrench / Hex key 5 mm <i>For new banjo bolts</i> |
| | | DE | Innensechkant-schlüssel 5 mm <i>Für neue Banjobolzen</i> |
| | | NL | Inbussleutel 5 mm <i>Voor nieuwe banjo bouten</i> |
|  | 9VDG001 9VDG002 | EN | Pressure-gauge |
| | | DE | Druckmesser |
| | | NL | Manometer |
| | | | 0 - 2 bar 0 - 16 bar |

Disclaimer Manufacturer

Although this manual has been put together with the utmost care, J.M. de Jong DUKE automatenfabriek b.v. accepts no liability for inaccuracies or omissions. No liability is accepted for the consequences arising from operation of the equipment in accordance with the information contained in this manual.

J.M. de Jong DUKE automatenfabriek b.v. reserves the right to alter specifications at any time and without prior notification to the purchaser.

All rights reserved.

Copyright

J.M. de Jong DUKE automatenfabriek b.v. © 2025

The contents of this manual are copyrighted. Texts, images, and source files may only be used for professional purposes.





No part of this guide may be reused, modified, or published without the prior written permission of the manufacturer.

Printing pages is allowed only for professional use.

Manufacturer






De Jong DUKE
Postbus 190
3360 AD SLIEDRECHT
The Netherlands

 +31 (0)184 209 767 (sales)
 +31 (0)184 209 609 (support)
 www.dejongduke.nl
 spareparts@dejongduke.nl
 support@dejongduke.nl



De Jong DUKE North America
12680 Delta Street
Taylor, MI, 48180
U.S.A.

 +1 734 403 1708
 www.dejongduke.com
 support@dejongduke.com

